

## FFSGS6291-36 GAS RANGE

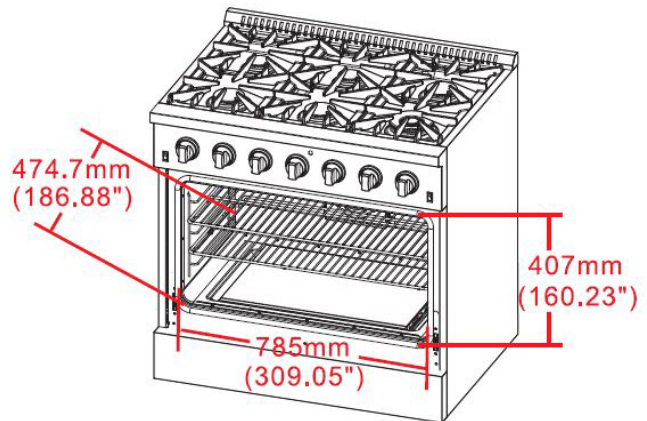
**FORNO ALTA QUALITA 36" PRO-STYLE GAS  
6 DEFENDI ITALIAN BURNER 83,000 BTU  
All 304 STAINLESS STEEL**

### Gas Oven Specifications:

Oven 36" Capacity: 5.36 cu. ft  
Power: Broil Top 10,000 BTU  
Bottom 22,000 BTU  
U Tube Manual-Ignition Convection Fan  
120 Volt 60 Hz  
Circuit Breaker 15 Amps

### Features:

- Stainless Steel 304
- Cavity Top Plate
- Stainless Steel 430
- Control Panel
- Oven Door
- Bottom Front Panel
- Back Splash
- Side Panel
- Cast Iron Grates with Mid Grill
- Black Enameled Cooktop
- Knobs with Ring
- Pro-Style Handle
- Oven Door Glass 3 Layers
- Black Enameled Oven Interior
- 2 Halogen Oven Lights
- 2 Electroplate Racks (4mm & 7.5mm)
- Thermostat, Regulator
- Adjustable Stainless Steel Legs ( from 38" to 39")
- LP Kit Included
- Fuel Type: Natural Gas /PL
- 6 Italian Defendi Burner
- Front Right Sealed Dual Burner BTU: 20,000/Sim 1,000 BTU
- Front Mid Sealed Single Burner BTU: 15,000
- Front Left Sealed Single Burner BTU: 15,000
- Rear Left Sealed Single Burner BTU: 9,000
- Rear Mid Sealed Single Burner BTU: 9,000
- Rear Right Sealed Single Burner BTU: 15,000



Intertek

### Product Dimension:

(W x D x H) (in): 36" x 28" x 38" To 39"

Range Legs are adjustable by up to 1"

Weight: 263 Lbs