

Cesinali 24-Inch 15.8 cu.ft. Beverage Cooler

Model: FBCBI6703-24S



KEY FEATURES

- Single temperature zone
- Triple-layer Anti-UV glass door
- Touch control
- Stores up to 427 soda cans
- Reversible door
- Charcoal filter
- 250 kWh / year

APPEARANCE

Advertise Unit Width	24"
Unit Style	Swing Door
Counter-Depth	Yes
Built In / Freestanding	Freestanding Built-In
Door Color	Stainless Steel
Finger Print Resistant	Yes
Reversible Doors	Yes
Handle Color	Stainless Steel
Case Material	Steel
Case Color	Black
Shelf Material	Metal
Number of Shelves	9
Telescopic Shelves	Yes

FEATURES

Control Type	Touch Control
Control Location	Top
Number of Zones	1
Anti-UV Film	Yes
Lighting Type	LED, Blue
Defrost Type	Automatic
Sabbath Mode	No
Reversible Doors	Yes
Energy Saver	No
Cooling System	Compressor Base
°C/°F Convertible	Yes
Door Alarm	No
Leveling Legs	Yes
Removable Shelf	Yes
Shelf Dimensions	18 5/16" x 20 1/2"
Capacity (cu.ft)	15.8

SINGLE ZONE

Cans Capacity	427
Capacity (cu.ft)	6.8
Number of Shelves	9
Dimensions (WxDxH)(in)	19 3/8" x 20 15/16" x 66 7/8"
Temperature Range (°F)	37°F - 65°F

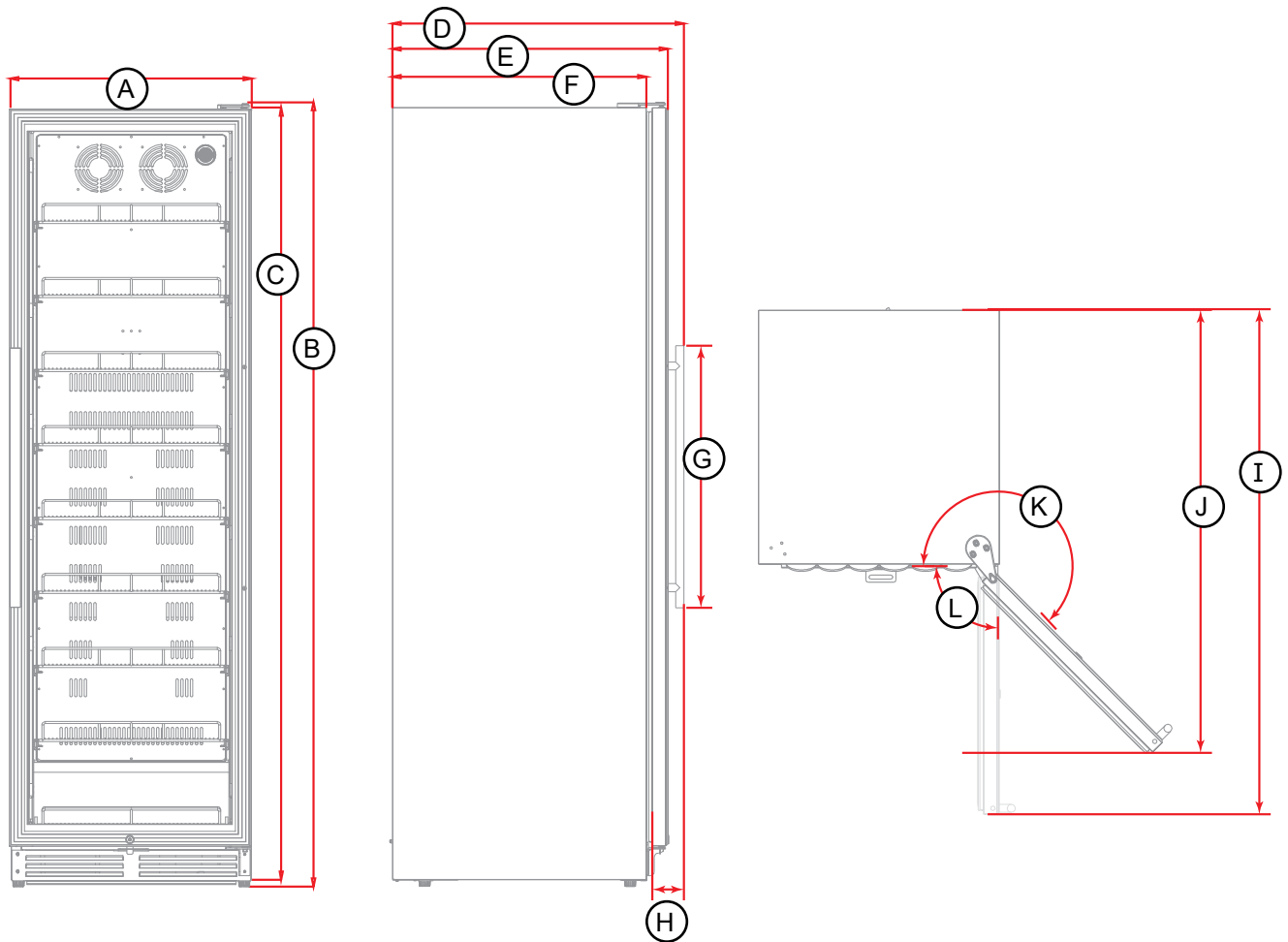
TECHNICAL SPECIFICATIONS

Running Amperage:	1.6 Amps
Circuit Breaker Amperage:	15 Amps
Volts:	115 V
Frequency:	60Hz
Receptacle Type:	NEMA 5-15P
Compressor Type:	Constant Frequency Compressor
Refrigerant:	R600a
Certification	C ETL US

PRODUCT SPECIFICATIONS

Product dimensions (WxDxH)(in)	23 9/16" x 28 7/16" x 76 5/8"
Net weight (lbs & kg)	249lbs 112.94kg
Packaging dimensions (WxDxH)(in)	26 3/8" x 30 5/16" x 77 13/16"
Shipping Weight (lbs)	276lbs 125.1kg

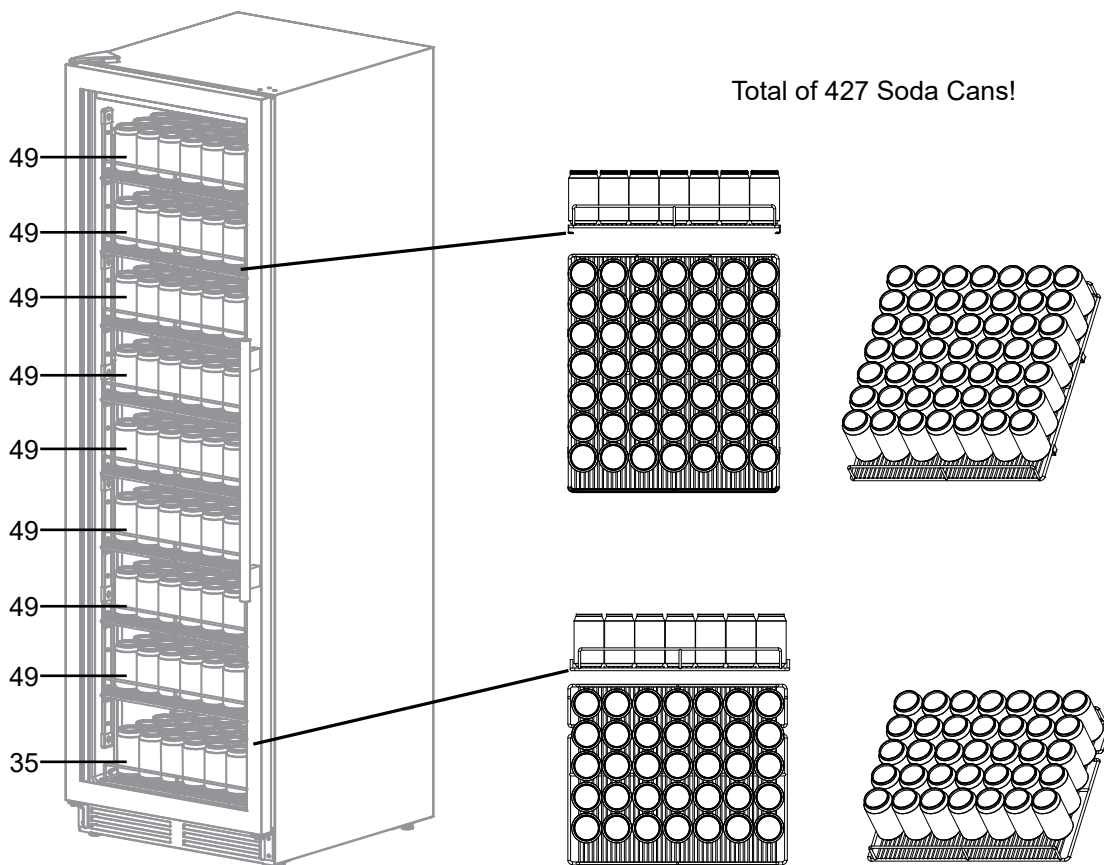
PRODUCT DIMENSION



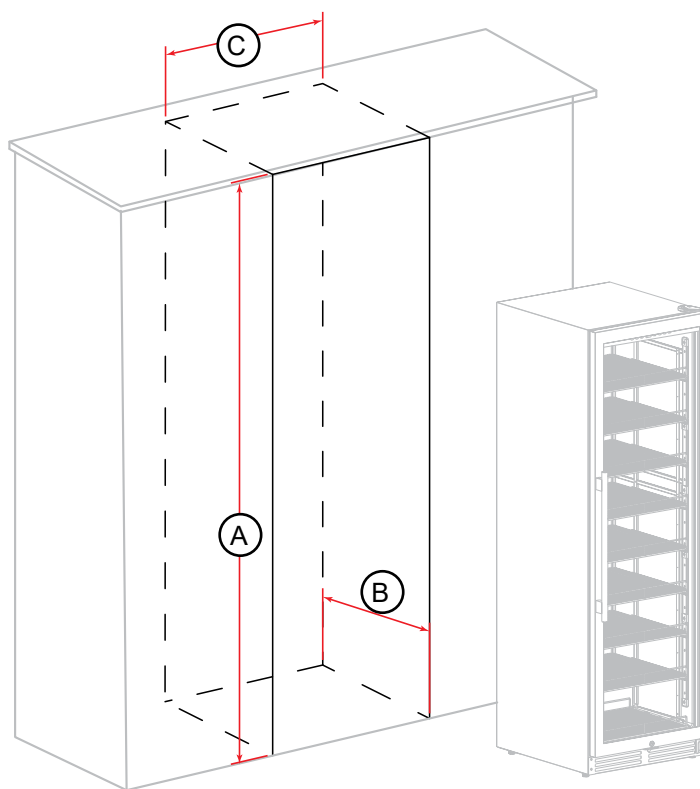
A	B	C	D	E	F
Overall Width	Overall Height (Hing to foot-on maximum)	Height (Top to bottom)	Depth Back to handle	Depth (Back to door)	Height (Back to front frame)
23 9/16"	77 5/16"	75 7/16"	28 1/2"	26 7/8"	24 13/16"

G	H	I	J	K	L
Height of Handle	Width of handle (door with handle)	Depth (Door open halfway)	Depth (Door open Fully)	Opening (Door open Fully)	Opening (Door open halfway)
25 9/16"	4 7/16"	49 5/16"	42 3/16"	135°	90°

PRODUCT DIMENSION (CONTINUED)



CUTOUT DIMENSION



A	B	C
77 ¹⁵ / ₁₆ "	26 ³¹ / ₃₂ "	23 ¹³ / ₁₆ "