



H SERIES WATER FILTRATION SYSTEMS
SISTEMA DE FILTRACIÓN DE AGUA DE LA SERIE H
H SÉRIE SYSTÈME DE FILTRAGE D'EAU
INSTALLATION AND OPERATION MANUAL
MANUAL DE INSTALACIÓN Y OPERACIÓN
MANUEL D'INSTALLATION ET D'UTILISATION



INSTALLATION INSTRUCTIONS - ENGLISH

Product Specifications	Page 3
Tools Required	Page 4
Basic Installation Instructions.....	Page 4
H-1200 Installation Instructions	Pages 6-7
Claims & Notes.....	Page 7

INSTRUCCIONES DE INSTALACIÓN - ESPAÑOL

Especificaciones Del Producto	Página 14
Herramientas necesarias	Página 15
Instrucciones básicas de instalación.....	Página 15
H 1200 Instrucciones de instalación	Páginas 17-18
Declaraciones y notas	Página 18

INSTRUCTIONS D'INSTALLATION - FRANÇAIS

Caractéristiques Techniques Du Produit	Page 25
Outils nécessaires.....	Page 26
Instructions d'installation de base.....	Page 26
Consignes d'utilisation pour l'H 1200.....	Pages 28-29
Revendication & remarques	Page 29

Thank you for purchasing an Everpure® commercial-grade water filtration system for your home. With your Everpure system, you get premium quality water direct from your tap that's great-tasting and convenient for you and your family.

Product Specifications:

- For Cold Water Use Only
- Temperature Range: 35-100°F (2-38°C)
- Min.-Max. Working Pressure:
10-125 psi (0.7-8.6 bar)
- Service Flow Rate: 0.5 gpm (1.9 Lpm)



THE OWNER'S GUIDE IS APPLICABLE FOR THE FOLLOWING EVERPURE FILTER MODELS:

- Model H-54** Rated Capacity: 750 gal (2,839 L)[†]
- Model H-300** Rated Capacity: 300 gal (1,136 L)[†]
- Model H-104** Rated Capacity: 1,000 gal (3,785 L)[†]
- Model H-300-HSD** Rated Capacity: 300 gal (1,136 L)[†]
- Model H-300-NXT** Rated Capacity: 300 gal (1,136 L)[†]
- Model H-1200** Rated Capacity: 1,000 gal (3,785 L)[†]

[†]For optimum performance, cartridge replacement is required once a year, or sooner if flow becomes too slow for convenience, or if the unit's rated capacity is reached.

For purchase of replaceable components, please contact your local distributor.

H-1200 customers: Instructions for installing the H-1200 begin on page 6 of this Installation and Operation Guide.

⚠ WARNING The Universal Plumbing Code adopted by over 20 states, and other specific state and county codes, prohibit the use of saddle valves and their use is never recommended. You must adhere to your state/local plumbing codes. Consult your licensed plumber if you have related questions.

⚠ WARNING Do NOT use copper tubing with the John Guest Fittings provided with your Everpure Filter System. Copper tubing may appear to fit, but water leaks will develop over time and use. If copper tubing is required, you must use copper compression fittings available from any hardware/plumbing supply.

Multiple Appliance Connections: You can also connect your Everpure Filter to the refrigerator for ice and water, an instant hot water dispenser or chiller, or a plumbed-in coffee brewer. Simply install connection "tees" (available from any hardware/plumbing supply) in the water line between the filter and the faucet adaptor, and run new tubing to each appliance.

NOTE: Spent adsorption media will not be regenerated and used.

NOTE: If adsorption media is affected by chlorine, water supply should be treated to remove chlorine prior to entering filter.

NOTE: *DO NOT connect this system to a commercial ice maker. These appliances require flow and volume beyond the design limits of your undersink filter system.*

NOTE: *If connecting to a home ice maker and there is no filter faucet connection under the sink, a flush valve is required.*

BASIC INSTALLATION INSTRUCTIONS

Tools Needed For Installation

- #2 Phillips Screwdriver • Wrench • Pencil
- Utility Knife • Measuring Tape

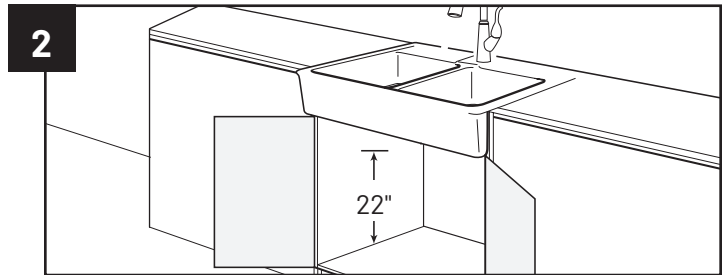
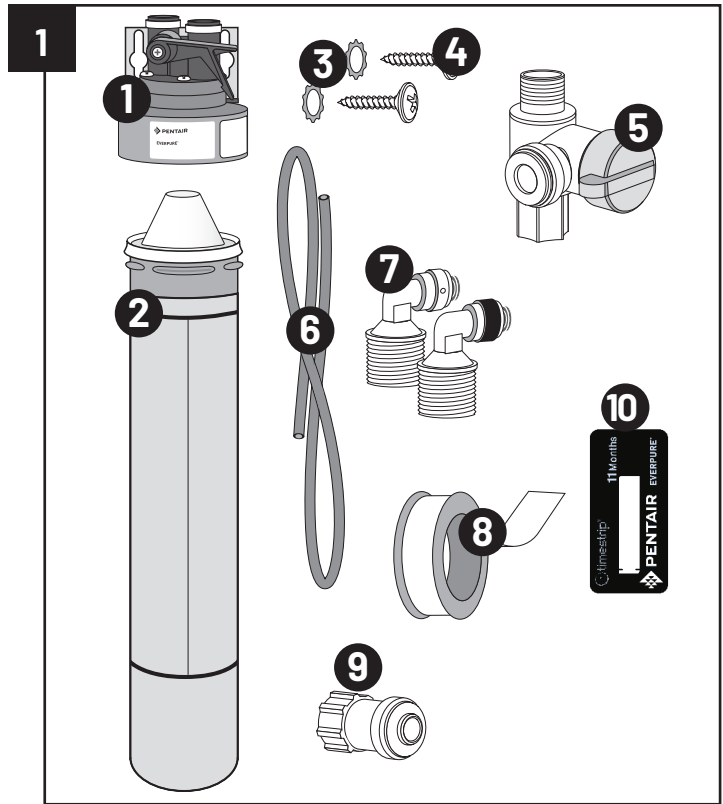
1. OPEN CARTON & INSPECT PARTS

Installation Parts

Key	Description	Part No.
1	QL3 Filter Head (incl. Qty. 2 ea of 3 & 4)	EV925831
2	Filter Cartridge (incl. 10)	
	- Model H-54	EV925268
	- Model H-300	EV927072
	- Model H-104	EV961211
	- Model H-300-HSD	EV927075
	- Model H-300-NXT	EV927441
3	Locking Washers (2 req.)	EV306204
4	Screws (2 req.)	EV306196
5	Angle Stop Valve Adaptor	EV312120
6	Tubing, 1/4" poly (per foot)	A0860119
7	Elbow Fitting Pack Restrictor (incl. Qty. 2 ea of 3 & 4)	EV308168
8	Plumbers Tape	EV312119
9	Faucet Connector	EV312135
10	Everpure Filter Timer	EV314160

2. VERIFY UNDERSINK MOUNTING LOCATION

Measure 22" from the base of the cabinet, and mark the mounting location for the top of the filter head. Make sure there is adequate space above the head to open and close the built-in shut off valve and to avoid crimping the water line tubing. Also, make sure your chosen location offers easy access for future cartridge changes.

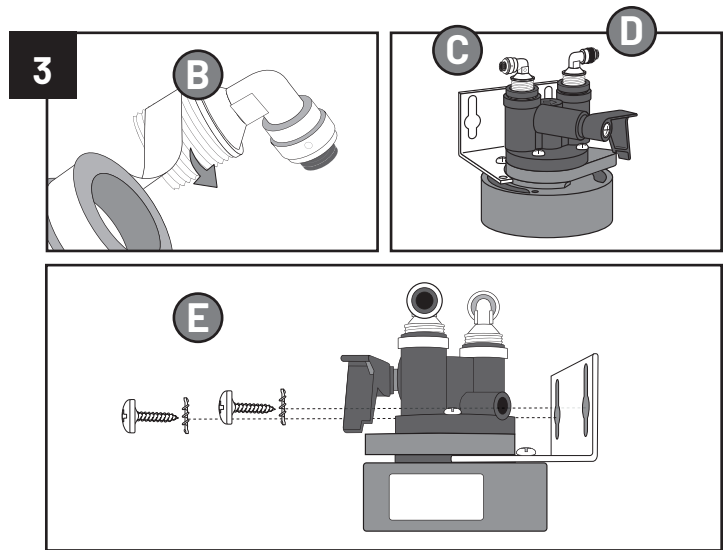


DIMENSION	Width	Height	Depth
H-54	5"	15"	5"
H-104	5"	20"	5"
H-300	5"	22"	5"
H-300-HSD	5"	22"	5"
H-300-NXT	5"	22"	5"

NOTE: The head and cartridge must be mounted in the vertical position, with the cartridge hanging down.

3. MOUNT FILTER HEAD UNDER SINK

- A. Identify Filter Head and the two Elbow Fittings, and note that the Outlet Fitting has a black band. This fitting includes a small restrictor insert to ensure maximum flow at 0.5 gpm (1.9 Lpm) per minute.
- B. Apply Plumbers Tape to the threads of each Elbow Fitting. Wrap tape in direction of the threads to ensure a tight fit and avoid small leaks.
- C. Screw Inlet Elbow Fitting into the left side of the filter head, and hand tighten only.
- D. Screw Outlet Elbow Fitting (black band) into the right side of the filter head in the same manner.
- E. Securely mount the filter head on the cabinet wall using the enclosed mounting screws and washers.

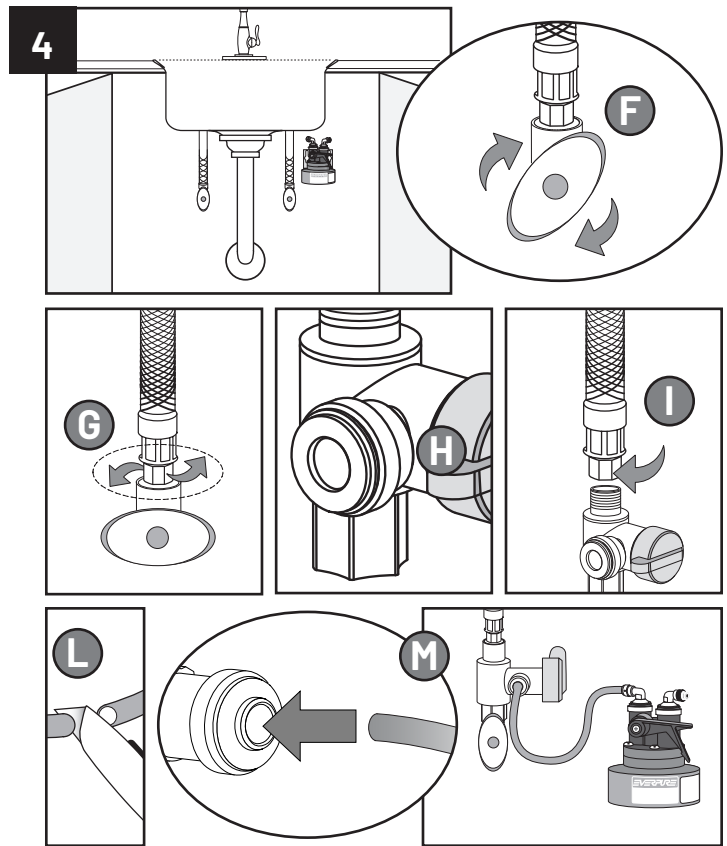


4. ATTACH INLET WATER SUPPLY

- F. Locate and close the cold water Angle Stop Valve under your kitchen sink. Open cold water line of faucet to release water pressure.
- G. Unscrew and disconnect the braided tubing on top of the Angle Stop Valve.
- H. Attach the bottom of Angle Stop Adaptor to the existing cold water Angle Stop Valve.
- I. Attach the braided tubing to the top of the Angle Stop Adaptor.
- J. Close side valve on Angle Stop Adaptor and open cold water Angle Stop Valve to return water service to kitchen sink. Check for leaks.

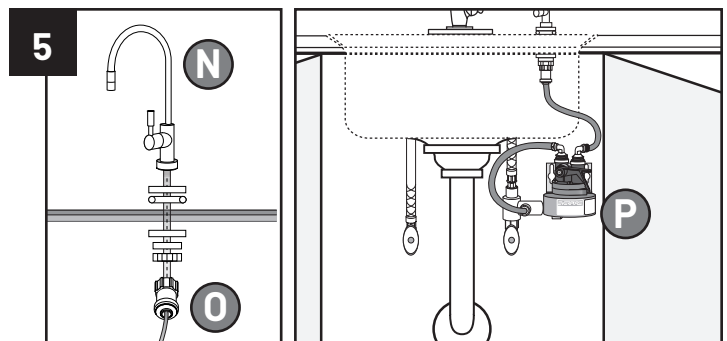
NOTE: Plumbers Tape should not be required for these next steps.

- K. Measure length of tubing needed to connect Angle Stop Adaptor to Inlet Elbow Fitting on Filter Head. Allow adequate tubing to avoid sharp turns.
- L. Cut tubing at a 90° angle using a sharp knife.
- M. Insert ends of tubing into quick-connect fittings. Push tube into fitting and gently pull to confirm a tight fit.



5. ATTACH FILTERED WATER TO SINK FAUCET

- N. Install separate faucet for filtered drinking water. Follow individual manufacturer's instructions.
- O. Attach Faucet Connector Fitting to bottom end of threads on new faucet assembly. Plumbers Tape should not be required for this step.
- P. Measure length of tubing needed to connect the Outlet Elbow Fitting on Filter Head to the new Faucet Connector Fitting. Allow adequate tubing to avoid sharp turns. Cut and insert each end of the tubing into the fittings.

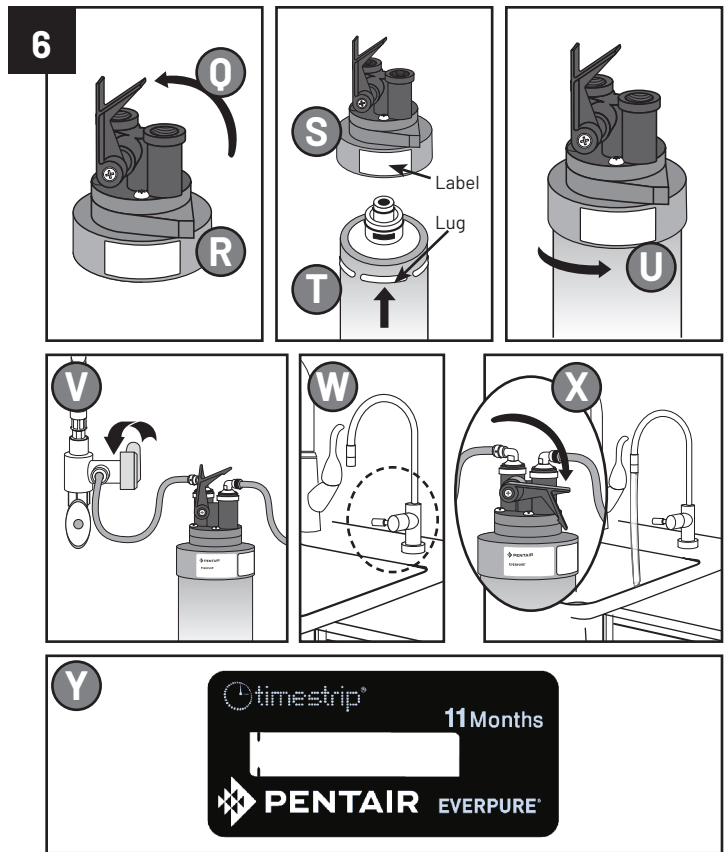


6. INSTALL AND FLUSH FILTER CARTRIDGE

- Q. Lift handle of the built-in shut off Valve on the Head.
- R. Hold Head firmly with one hand.
- S. Align cartridge lug with label on filter Head.
- T. Insert filter Cartridge - Push upwards.
- U. Turn it to the right - About 1/4 turn - Until rotation stops.
- V. Open Side Valve of Angle Stop Adaptor and check for leaks up to Inlet Elbow Fitting.
- W. Open Filtered Water Faucet.
- X. Lower handle of built-in shut off valve on the Head, to flush water to the sink.

NOTE: Flush new filter cartridges for at least 5 minutes to remove air and any loose carbon. At first the water may appear cloudy due to trapped air in the filter and tubing. If water continues to be cloudy for more than one week, please contact Everpure Technical Services for assistance.

- Y. Activate Filter Timer by pinching bubble until you feel a change in resistance as the filter timer “pops.” Within a few seconds, a thin RED line will appear in the white window showing the Timestrip has been activated. Peel away backing and adhere to desired location. When the white window is completely filled with RED, it is time to replace your product.



H-1200 INSTRUCTIONS

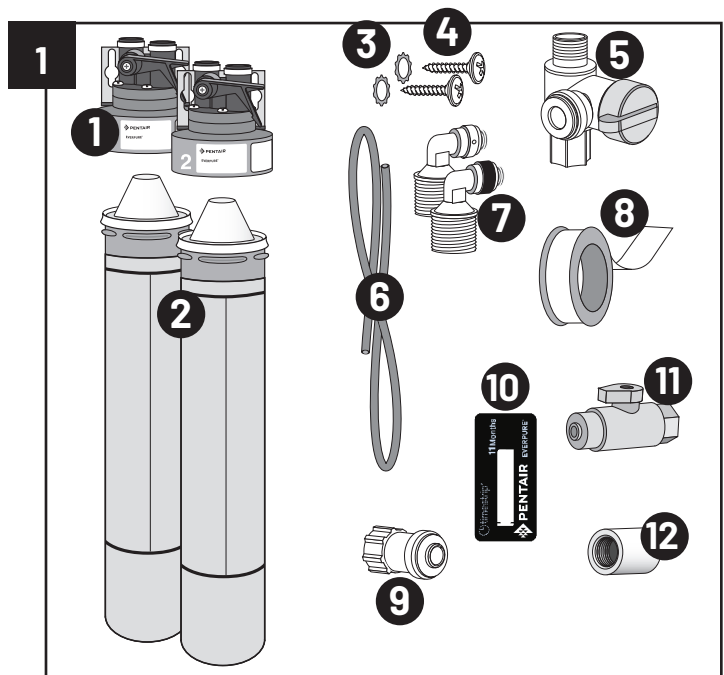
Tools Needed For Installation

- #2 Phillips Screwdriver
- Wrench
- Utility Knife
- Measuring Tape
- Pencil

1. OPEN CARTON & INSPECT PARTS

Installation Parts

Key	Description	Part No.
1	Twin Filter Head	N/A
2	H-1200 Filter Cartridges (Set of 2) (Includes 10)	EV928201
3	Locking Washers (2 req.)	EV306204
4	Screws (2 req.)	EV306196
5	Angle Stop Valve Adaptor	EV312120
6	Tubing, 1/4" poly (per foot)	A0860119
7	Elbow Fitting Pack Restrictor (incl. Qty. 2 ea of #3 & #4)	EV308168
8	Plumbers Tape	EV312119
9	Faucet Connector	EV312135
10	Everpure Filter Timer	EV314160
11	Shut Off Valve, 3/8" John Guest x 3/8" FPT	EV309860
12	Coupler, 3/8" FPT Stainless	EV312350



2. VERIFY UNDERSINK MOUNTING LOCATION

Measure 22" from the base of the cabinet, and mark the mounting location for the top of the filter head. Measure 13" for the width required for the H-1200 System with dual cartridges. Make sure there is adequate space above the head to open and close the shut-off valve and to avoid crimping the water line tubing. Also, make sure your chosen location offers easy access for future cartridge changes.

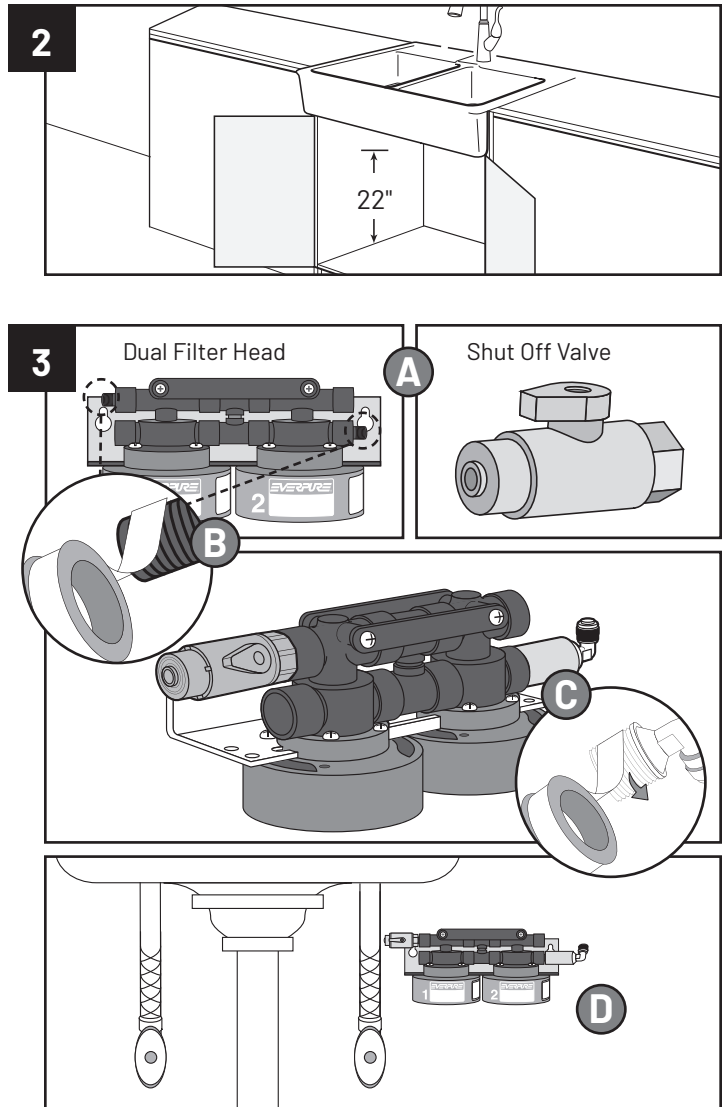
DIMENSION	Width	Height	Depth
H-1200	13"	22"	5"

NOTE: The head and cartridge must be mounted in the vertical position, with the cartridge hanging down.

3. MOUNT FILTER HEAD UNDER SINK

- Identify Dual Filter Head and Shut Off Valve (EV309860).
- Apply Plumbers Tape to the threads on the inlet (left) side of the Head. Screw on the new Shut Off Valve and hand tighten. Repeat for the Stainless Coupler (EV312350) for the outlet (right) side of the Head.
- Apply Plumbers Tape to the threads of the Outlet Elbow Fitting (black band). Screw into the outlet of the Stainless Coupler. Wrap tape in direction of the threads to ensure a tight fit and avoid small leaks.
- Securely mount the filter head on the cabinet wall using the enclosed mounting screws and washers.

4. Go to page 5 and follow Basic Installation Instructions, Steps 4, 5, and 6, to complete the H-1200 System installation.



CLAIMS & NOTES

This installation must comply with all applicable state and local regulations.

Do not use with water that is microbiologically unsafe or unknown quality without adequate disinfection before or after the system. Systems certified for cyst reduction may be used on waters that may contain filterable cysts.

Spent adsorption media will not be regenerated and used.

If adsorption media is affected by chlorine, water supply should be treated to remove chlorine prior to entering filter.

Testing was performed under standard laboratory conditions, actual performance may vary.

EPA Est. No. 002623-IL-002



The H-54, H-300, H-104, H-300-HSD, & H-1200 are Tested and Certified by NSF International against CSA B483.1 and NSF/ANSI 42 and 53 for the claims specified on the Performance Data Sheet.



The H-1200 is certified by IAPMO R&T against NSF/ANSI 53 for the reduction of perfluorooctanoic acid (PFOA) and perfluorooctane sulfonate (PFOS).



The H-300-NXT is Tested and Certified by NSF International against CSA B483.1 and NSF/ANSI 42, 53 and 401 for the claims specified on the Performance Performance Data Sheet.

H-104 CARTRIDGE - PART NO. EV9612-11, EV9612-16

IMPORTANT NOTICE: Read this Performance Data Sheet and compare the capabilities of this unit with your actual water treatment needs. It is recommended that, before purchasing a water treatment unit, you have your water tested to determine your actual treatment needs.

FEATURES

- Finely polishes treated water to premium quality for drinking and cooking.
- Reduces chlorine taste and odor.
- Reduces dirt, rust and other particulates such as oxidized iron, manganese, and sulfides.
- NSF/ANSI Standard 53 certified to reduce cysts such as Cryptosporidium and Giardia by mechanical means.
- Reduces common earthy, moldy, shy tastes and odors.
- Reduces lead to below the Federal Action Level.
- Reduces particles as small as 0.5 micron in size by mechanical means.

H-104 Performance Data

This system has been tested according to NSF/ANSI 42 and 53 for the reduction of the substances listed below. The concentration of the indicated substances in water entering the system was reduced to a concentration less than or equal to the permissible limit for water leaving the system, as specified in NSF/ANSI 42 and 53.

Substance	Influent Challenge Concentration	Max. Permissible Product Water Concentration	Reduction Requirements	Minimum Reduction	Average Reduction
Standard 42—Aesthetic Effects					
Chlorine	2.0 mg/L ± 10%		50%		87.8%
Particulate, Class I particles 0.5 to <1 µm	at least 10,000 particles/mL		85%		98.8%
Standard 53—Health Effects					
Cyst	Minimum 50,000/L		99.95%	99.99%	99.99%
Lead 8.5	0.15 mg/L ± 10%	0.010 mg/L		99.3%	99.3%
Lead 6.5	0.15 mg/L ± 10%	0.010 mg/L		98.7%	99.3%

*Tested using flow rate = 0.5 gpm; pressure = 60 psig; pH = 7.5 ± 0.5; temp. = 20° ± 2.5°C

OPERATING SPECIFICATIONS

- Capacity: 1,000 gallons (3,780L)
- Pressure Requirement: 10-125 psi (0.7 - 8.6 bar), non-shock
- Temperature: 35-100°F (2°-38°C)
- Flow Rate: 0.5 gpm (1.9 Lpm)

GENERAL INSTALLATION/OPERATION/MAINTENANCE REQUIREMENTS

- Space required: 5 x 5 x 20 in. (13 x 13 x 51 cm) including 2½ inches of clear space under unit for cartridge change.
- Install vertically with cartridge hanging down.
- Use minimum length of tubing possible.
- Flush new cartridge at full ow for three minutes to purge air.
- Replace cartridges when capacity is reached, or when flow becomes too slow, but at least annually.

SPECIAL NOTICES

- Installation instructions, parts and service availability, and standard warranty are included with the product.
- This drinking water system must be maintained according to manufacturer's instructions, including replacement of filter cartridges. Suggested retail \$122.99.
- Do not use with water that is microbiologically unsafe or of unknown quality without adequate disinfection before or after the system. Systems certified for cyst reduction may be used on disinfected waters that may contain lterable cysts.
- The contaminants or other substances removed or reduced by this water treatment system are not necessarily in your water.
- Check for compliance with state and local laws and regulations.
- Tested under standard laboratory conditions, actual performance may vary.
- Spent adsorption media will not be regenerated and used.
- If adsorption media is affected by chlorine, water supply should be treated to remove chlorine prior to entering filter.



System Tested and Certified by NSF International against CSA B483.1 and NSF/ANSI 42 and 53 for the claims specified on the Performance Data Sheet.

EPA Est. No. 002623-IL-002

H-54 CARTRIDGE - PART NO. EV9730-06, EV9252-06, EV9252-66, EV9252-67, EV9252-68

IMPORTANT NOTICE: Read this Performance Data Sheet and compare the capabilities of this unit with your actual water treatment needs. It is recommended that, before purchasing a water treatment unit, you have your water tested to determine your actual treatment needs.

FEATURES

- Finely polishes treated water to premium quality for drinking and cooking.
- Reduces chlorine taste and odor.
- Reduces dirt, rust and other particulates such as oxidized iron, manganese, and sulfides.
- NSF/ANSI Standard 53 certified to reduce cysts such as Cryptosporidium and Giardia by mechanical means.
- Reduces common earthy, moldy, shy tastes and odors.
- Reduces lead to below the Federal Action Level of 15 ppb.
- Reduces particles as small as 0.5 micron in size by mechanical means.

H-54 Performance Data

This system has been tested according to NSF/ANSI 42 and 53 for the reduction of the substances listed below.

The concentration of the indicated substances in water entering the system was reduced to a concentration less than or equal to the permissible limit for water leaving the system, as specified in NSF/ANSI 42 and 53.

Substance	Influent Challenge Concentration	Max. Permissible Product Water Concentration	Reduction Requirements	Minimum Reduction	Average Reduction
Standard 42—Aesthetic Effects					
Chlorine	2.0 mg/L ± 10%		≥ 50%		86.8%
Particulate, Class I particles 0.5 to <1 µm	at least 10,000 particles/mL		≥ 85%		98.8%
Standard 53—Health Effects					
Cyst	Minimum 50,000/L		99.95%	99.99%	99.99%
Lead 8.5	0.15 mg/L ± 10%	0.005 mg/L		98.7%	99.3%
Lead 6.5	0.15 mg/L ± 10%	0.005 mg/L		99.3%	99.3%

*Tested using flow rate = 0.5 gpm; pressure = 60 psig; pH = 7.5 ± 0.5; temp. = 20° ± 2.5°C

OPERATING SPECIFICATIONS

- Capacity: 750 gallons (2,839L)
- Pressure Requirement: 10-125 psi (0.7 - 8.6 bar), non-shock
- Temperature: 35-100°F (2°-38°C)
- Flow Rate: 0.5 gpm (1.9 Lpm)

GENERAL INSTALLATION/OPERATION/MAINTENANCE
REQUIREMENTS

- Space required: 5 x 5 x 15 in. (13 x 13 x 38 cm) including 2½ inches of clear space under unit for cartridge change.
- Install vertically with cartridge hanging down.
- Use minimum length of tubing possible.
- Flush new cartridge at full ow for three minutes to purge air.
- Replace cartridges when capacity is reached, or when flow becomes too slow, but at least annually.

SPECIAL NOTICES

- Installation instructions, parts and service availability, and standard warranty are included with the product.
- This drinking water system must be maintained according to manufacturer's instructions, including replacement of filter cartridges. Suggested retail \$100.99.
- Do not use with water that is microbiologically unsafe or of unknown quality without adequate disinfection before or after the system. Systems certified for cyst reduction may be used on disinfected waters that may contain lterable cysts.
- The contaminants or other substances removed or reduced by this water treatment system are not necessarily in your water.
- Check for compliance with state and local laws and regulations.
- Tested under standard laboratory conditions, actual performance may vary.
- Spent adsorption media will not be regenerated and used.
- If adsorption media is acted by chlorine, water supply should be treated to remove chlorine prior to entering filter.



System Tested and Certified by NSF International against CSA B483.1 and NSF/ANSI 42 and 53 for the claims specified on the Performance Data Sheet.

EPA Est. No. 002623-IL-002

H-300 CARTRIDGE - PART NO. EV9270-71, EV9270-72,

IMPORTANT NOTICE: Read this Performance Data Sheet and compare the capabilities of this unit with your actual water treatment needs. It is recommended that, before purchasing a water treatment unit, you have your water tested to determine your actual treatment needs.

FEATURES

- Finely polishes treated water to premium quality for drinking and cooking.
- Reduces chlorine taste and odor.
- Reduces dirt, rust and other particulates such as oxidized iron, manganese, and sulfides.
- NSF/ANSI Standard 53 certified to reduce cysts such as Cryptosporidium and Giardia by mechanical means.
- Controls even extreme levels of common "off" taste and odors, including those which are earthy, moldy, and fishy.
- Reduces lead to below the Federal Action Level.
- Effectively reduces Volatile Organic Chemicals (VOCs), including Trihalomethanes (THMs).
- Reduces particles as small as 0.5 micron in size by mechanical means.

H-300 Performance Data

This system has been tested according to NSF/ANSI 42 and 53 for the reduction of the substances listed below. The concentration of the indicated substances in water entering the system was reduced to a concentration less than or equal to the permissible limit for water leaving the system, as specified in NSF/ANSI 42 and 53.

Substance	Influent Challenge Concentration	Max. Permissible Product Water Concentration	Reduction Requirements	Minimum Reduction	Average Reduction
Standard 42—Aesthetic Effects					
Chlorine	2.0 mg/L ± 10%		≥ 50%		86.8%
Particulate, Class I particles 0.5 to <1 µm	at least 10,000 particles/mL		≥ 85%		98.8%
Standard 53—Health Effects					
Cyst	Minimum 50,000/L		99.95%	99.99%	99.99%
Lead 6.5	0.15 mg/L ± 10%	0.005 mg/L		99.3%	99.3%
Lead 8.5	0.15 mg/L ± 10%	0.005 mg/L		98.7%	99.3%
Chloroform	0.300 mg/L	0.015 mg/L		95.8%	98.9%

*Tested using flow rate = 0.5 gpm; pressure = 60 psig; pH = 7.5 ± 0.5; temp. = 20° ± 2.5°C



The H-300 is Tested and Certified by NSF International against CSA B483.1 and NSF/ANSI 42 and 53 for the claims specified on the Performance Data Sheet.

EPA Est. No. 002623-IL-002

NOTE: Spent adsorption media will not be regenerated and used. If adsorption media is affected by chlorine, water supply should be treated to remove chlorine prior to entering filter.

OPERATING SPECIFICATIONS

- Capacity: 300 gallons (1,135L)
- Pressure Requirement: 10-125 psi (0.7 - 8.6 bar), non-shock
- Temperature: 35-100°F (2°-38°C)
- Flow Rate: 0.5 gpm (1.9 Lpm)

PERFORMANCE DATA SHEET REDUCTION CLAIMS FOR ORGANIC CHEMICALS INCLUDED BY SURROGATE TESTING

Substance	Influent Challenge Concentration mg/L	Maximum Permissible Product Water Concentration mg/L
alachlor	0.050	0.001
atrazine	0.100	0.003
benzene	0.081	0.001
carbofuran	0.190	0.001
carbon tetrachloride	0.078	0.0018
chlorobenzene	0.077	0.001
chloropicrin	0.015	0.0002
2,4-D	0.110	0.0017
dibromochloropropane (DBCP)	0.052	0.00002
o-dichlorobenzene	0.080	0.001
p-dichlorobenzene	0.040	0.001
1,2-dichloroethane	0.088	0.0048
1,1-dichloroethylene	0.083	0.001
cis-1,2-dichloroethylene	0.170	0.0005
trans-1,2-dichloroethylene	0.086	0.001
1,2-dichloropropane	0.080	0.001
cis-1,3-dichloropropylene	0.079	0.001
dinoseb	0.170	0.0002
endrin	0.053	0.00059
ethylbenzene	0.088	0.001
ethylene dibromide (EDB)	0.044	0.00002
haloacetonitriles (HAN):		
bromochloroacetonitrile	0.022	0.0005
dibromoacetonitrile	0.024	0.0006
dichloroacetonitrile	0.0096	0.0002
trichloroacetonitrile	0.015	0.0003
haloketones (HK):		
1,1-dichloro-2-propanone	0.0072	0.0001
1,1,1-trichloro-2-propanone	0.0082	0.0003
heptachlor	0.025	0.00001
heptachlor epoxide	0.0107	0.0002
hexachlorobutadiene	0.044	0.001
hexachlorocyclopentadiene	0.060	0.000002
lindane	0.055	0.00001
methoxychlor	0.050	0.0001
pentachlorophenol	0.096	0.001
simazine	0.120	0.004
styrene	0.150	0.0005
1,1,2,2-tetrachloroethane	0.081	0.001
tetrachloroethylene	0.081	0.001
toluene	0.078	0.001
2,4,5-TP(silvex)	0.270	0.0016
tribromoacetic acid	0.042	0.001
1,2,4-trichlorobenzene	0.160	0.0005
1,1,1-trichloroethane	0.084	0.0046
1,1,2-trichloroethane	0.150	0.0005
trichloroethyl ene	0.180	0.001
trihal omethanes (includes):		
chloroform (surrogate chemical)		
bromoform	0.300	0.015
bromodichloromethane		
chlorodibromomethane		
xylenes (total)	0.070	0.001

H-1200 CARTRIDGE - PART NO. EV9282-01, EV9282-03,

IMPORTANT NOTICE: Read this Performance Data Sheet and compare the capabilities of this unit with your actual water treatment needs. It is recommended that, before purchasing a water treatment unit, you have your water tested to determine your actual treatment needs.

FEATURES

- Finely polishes treated water to premium quality for drinking and cooking.
- NSF/ANSI Standard 53 certified to reduce cysts such as Cryptosporidium and Giardia by mechanical means.
- IAPMO R&T certified against NSF/ANSI 53 for the reduction of perfluorooctanoic acid (PFOA) and perfluorooctane sulfonate (PFOS).
- High-performance system certified to reduce up to 97.5% of PFOA/PFOS, commonly known as "forever chemicals".
- Reduces dirt, rust and other particulates sulfides (oxidized iron and manganese - As tested by Everpure).
- Controls even extreme levels of common "off" taste and odors, including those which are earthy, moldy, and fishy.
- Reduces lead to below the Federal Action Level of 15 ppb.
- Effectively reduces Volatile Organic Chemicals (VOCs), including Trihalomethanes (THMs).
- Effectively reduces methyl tertiary-butyl ether (MTBE).
- Reduces particles as small as 0.5 micron in size by mechanical means.

H-1200 Performance Data

This system has been tested according to NSF/ANSI 42 and 53 for the reduction of the substances listed below.

The concentration of the indicated substances in water entering the system was reduced to a concentration less than or equal to the permissible limit for water leaving the system, as specified in NSF/ANSI 42 and 53.

Substance	Influent Challenge Concentration	Max. Permissible Product Water Concentration	Reduction Requirements	Minimum Reduction	Average Reduction
Standard 42—Aesthetic Effects					
Chlorine	2.0 mg/L ± 10%		≥ 50%		86.8%
Chloramine	3.0 mg/L ± 10%	0.5 mg/L			98.3%
Particulate, Class I particles 0.5 to <1 µm	at least 10,000 particles/mL		≥ 85%		98.8%
Standard 53—Health Effects					
Cyst	Minimum 50,000/L		99.95%	99.99%	99.99%
Lead 6.5	0.15 mg/L ± 10%	0.005 mg/L		99.3%	99.3%
Lead 8.5	0.15 mg/L ± 10%	0.005 mg/L		98.7%	99.3%
Methyl tert-butyl ether	0.015 mg/L ± 20%	0.005 mg/L		83.5%	91.5%
Chloroform	0.300 mg/L	0.015 mg/L		99.8%	99.8%
PFOA/PFOS	0.0015mg/L ± 10%	0.00007mg/L		95.7%	97.5%

*Tested using flow rate = 0.5 gpm; pressure = 60 psig; pH = 7.5 ± 0.5; temp. = 20° ± 2.5°C



The H-1200 is Tested and Certified by NSF International against CSA B483.1 and NSF/ANSI 42 and 53 for the claims specified on the Performance Data Sheet.

EPA Est. No. 002623-IL-002



The H-1200 is certified by IAPMO R&T against NSF/ANSI 53 for the reduction of perfluorooctanoic acid (PFOA) and perfluorooctane sulfonate (PFOS).

OPERATING SPECIFICATIONS

- Capacity: 1,000 gallons (3,785L)
- Pressure Requirement: 10-125 psi (0.7 - 8.6 bar), non-shock
- Temperature: 35-100°F (2°-38°C)
- Flow Rate: 0.5 gpm (1.9 Lpm)

PERFORMANCE DATA SHEET REDUCTION CLAIMS FOR ORGANIC CHEMICALS INCLUDED BY SURROGATE TESTING

Substance	Influent Challenge Concentration mg/L	Maximum Permissible Product Water Concentration mg/L
alachlor	0.050	0.001
atrazine	0.100	0.003
benzene	0.081	0.001
carbofuran	0.190	0.001
carbon tetrachloride	0.078	0.0018
chlorobenzene	0.077	0.001
chloropicrin	0.015	0.0002
2,4-D	0.110	0.0017
dibromochloropropane (DBCP)	0.052	0.00002
o-dichlorobenzene	0.080	0.001
p-dichlorobenzene	0.040	0.001
1,2-dichloroethane	0.088	0.0048
1,1-dichloroethylene	0.083	0.001
cis-1,2-dichloroethylene	0.170	0.0005
trans-1,2-dichloroethylene	0.086	0.001
1,2-dichloropropane	0.080	0.001
cis-1,3-dichloropropylene	0.079	0.001
dinoseb	0.170	0.0002
endrin	0.053	0.00059
ethylbenzene	0.088	0.001
ethylene dibromide (EDB)	0.044	0.00002
haloacetonitriles (HAN):		
bromochloroacetonitrile	0.022	0.0005
dibromoacetonitrile	0.024	0.0006
dichloroacetonitrile	0.0096	0.0002
trichloroacetonitrile	0.015	0.0003
haloketones (HK):		
1,1-dichloro-2-propanone	0.0072	0.0001
1,1,1-trichloro-2-propanone	0.0082	0.0003
heptachlor	0.080	0.0004
heptachlor epoxide	0.0107	0.0002
hexachlorobutadiene	0.044	0.001
hexachlorocyclopentadiene	0.060	0.000002
lindane	0.055	0.00001
methoxychlor	0.050	0.0001
pentachlorophenol	0.096	0.001
simazine	0.120	0.004
styrene	0.150	0.0005
1,1,2,2-tetrachloroethane	0.081	0.001
tetrachloroethylene	0.081	0.001
toluene	0.078	0.001
2,4,5-TP(silvex)	0.270	0.0016
tribromoacetic acid	0.042	0.001
1,2,4-trichlorobenzene	0.160	0.0005
1,1,1-trichloroethane	0.084	0.0046
1,1,2-trichloroethane	0.150	0.0005
trichloroethylene	0.180	0.001
trihalomethanes (includes):		
chloroform (surrogate chemical)		
bromoform	0.300	0.015
bromodichloromethane		
chlorodibromomethane		
xylenes (total)	0.070	0.001

NOTE: Spent adsorption media will not be regenerated and used. If adsorption media is affected by chlorine, water supply should be treated to remove chlorine prior to entering filter.

H-300-HSD CARTRIDGE - PART NO. EV9270-74, EV9270-75

IMPORTANT NOTICE: Read this Performance Data Sheet and compare the capabilities of this unit with your actual water treatment needs. It is recommended that, before purchasing a water treatment unit, you have your water tested to determine your actual treatment needs.

FEATURES

- For high silt density water vs. standard H-300.
- Finely polishes treated water to premium quality for drinking and cooking.
- Reduces chlorine taste and odor.
- Reduces dirt, rust and other particulates such as oxidized iron, manganese, and sulfides.
- NSF/ANSI Standard 53 certified to reduce cysts such as Cryptosporidium and Giardia by mechanical means.
- Controls even extreme levels of common "off" taste and odors, including those which are earthy, moldy, and fishy.
- Reduces lead to below the Federal Action Level of 15 ppb.
- Effectively reduces Volatile Organic Chemicals (VOCs),
- Effectively reduces methyl tertiary-butyl ether (MTBE).
- Reduces particles as small as 0.5 micron in size by mechanical means.

H-300-HSD Performance Data

This system has been tested according to NSF/ANSI 42 and 53 for the reduction of the substances listed below.

The concentration of the indicated substances in water entering the system was reduced to a concentration less than or equal to the permissible limit for water leaving the system, as specified in NSF/ANSI 42 and 53.

Substance	Influent Challenge Concentration	Max. Permissible Product Water Concentration	Reduction Requirements	Minimum Reduction	Average Reduction
Standard 42—Aesthetic Effects					
Chlorine	2.0 mg/L ± 10%		≥ 50%		86.8%
Particulate, Class I particles 0.5 to <1 µm	at least 10,000 particles/mL		≥ 85%		98.8%
Standard 53—Health Effects					
Cyst	Minimum 50,000/L		99.95%	99.99%	99.99%
Lead 6.5	0.15 mg/L ± 10%	0.005 mg/L		99.3%	99.3%
Lead 8.5	0.15 mg/L ± 10%	0.005 mg/L		98.7%	99.3%
Chloroform	0.300 mg/L	0.015 mg/L		95.8%	98.9%

(VOC surrogate chemical)

*Tested using flow rate = 0.5 gpm; pressure = 60 psig; pH = 7.5 ± 0.5; temp. = 20° ± 2.5°C



The H-300-HSD is Tested and Certified by NSF International against CSA B483.1 and NSF/ANSI 42 and 53 for the claims specified on the Performance Data Sheet.

EPA Est. No. 002623-IL-002

NOTE: Spent adsorption media will not be regenerated and used. If adsorption media is affected by chlorine, water supply should be treated to remove chlorine prior to entering filter.

OPERATING SPECIFICATIONS

- Capacity: 300 gallons (1,135L)
- Pressure Requirement: 10-125 psi (0.7 - 8.6 bar), non-shock
- Temperature: 35-100°F (2°-38°C)
- Flow Rate: 0.5 gpm (1.9 Lpm)

PERFORMANCE DATA SHEET REDUCTION CLAIMS FOR ORGANIC CHEMICALS INCLUDED BY SURROGATE TESTING

Substance	Influent Challenge Concentration mg/L	Maximum Permissible Product Water Concentration mg/L
alachlor	0.050	0.001
atrazine	0.100	0.003
benzene	0.081	0.001
carbofuran	0.190	0.01
carbon tetrachloride	0.078	0.0018
chlorobenzene	0.077	0.001
chloropicrin	0.015	0.0002
2,4-D	0.110	0.0017
dibromochloropropane (DBCP)	0.052	0.00002
o-dichlorobenzene	0.080	0.001
p-dichlorobenzene	0.040	0.001
1,2-dichloroethane	0.088	0.0048
1,1-dichloroethylene	0.083	0.001
cis-1,2-dichloroethylene	0.170	0.0005
trans-1,2-dichloroethylene	0.086	0.001
1,2-dichloropropane	0.080	0.001
cis-1,3-dichloropropylene	0.079	0.001
dinoseb	0.170	0.0002
endrin	0.053	0.00059
ethylbenzene	0.088	0.001
ethylene dibromide (EDB)	0.044	0.00002
haloacetonitriles (HAN):		
bromochloroacetonitrile	0.022	0.0005
dibromoacetonitrile	0.024	0.0006
dichloroacetonitrile	0.0096	0.0002
trichloroacetonitrile	0.015	0.0003
haloketones (HK):		
1,1-dichloro-2-propanone	0.0072	0.0001
1,1,1-trichloro-2-propanone	0.0082	0.0003
heptachlor	0.080	0.0004
heptachlor epoxide	0.0107	0.0002
hexachlorobutadiene	0.044	0.001
hexachlorocyclopentadiene	0.060	0.000002
lindane	0.055	0.00001
methoxychlor	0.050	0.0001
pentachlorophenol	0.096	0.001
simazine	0.120	0.004
styrene	0.150	0.0005
1,1,2,2-tetrachloroethane	0.081	0.001
tetrachloroethylene	0.081	0.001
toluene	0.078	0.001
2,4,5-TP(silvex)	0.270	0.0016
tribromoacetic acid	0.042	0.001
1,2,4-trichlorobenzene	0.160	0.0005
1,1,1-trichloroethane	0.084	0.0046
1,1,2-trichloroethane	0.050	0.0005
trichloroethylene	0.180	0.001
trihalomethanes (includes):		
chloroform (surrogate chemical)	0.300	0.015
bromoform		
bromodichloromethane		
chlorodibromomethane		
xylenes (total)	0.070	0.001

H-300-NXT CARTRIDGE - PART NO. EV927441, EV927446

IMPORTANT NOTICE: Read this Everpure Performance Data Sheet and compare the capabilities of this unit with your actual water treatment needs. It is recommended that, before purchasing a water treatment unit, you have your water tested to determine your actual treatment needs.

FEATURES

- Finely polishes treated water to premium quality for drinking and cooking.
- NSF/ANSI Standard 53 certified to reduce cysts such as Cryptosporidium and Giardia by mechanical means.
- Reduces dirt, rust and other particulates sulfides (oxidized iron and manganese - As tested by Everpure).
- Controls even extreme levels of common "off" taste and odors, including those which are earthy, moldy, and fishy.
- Reduces lead to below the Federal Action Level of 15 ppb.
- Effectively reduces Volatile Organic Chemicals (VOCs), including Trihalomethanes (THMs).
- Effectively reduces methyl tertiary-butyl ether (MTBE).
- Reduces particles as small as 0.5 micron in size by mechanical means.

H-300-NXT Performance Data

This system has been tested according to NSF/ANSI 42, 53, and 401 for the reduction of the substances listed below. The concentration of the indicated substances in water entering the system was reduced to a concentration less than or equal to the permissible limit for water leaving the system, as specified in NSF/ANSI 42, 53, and 401.

Substance	Influent Challenge Concentration	Max. Permissible Product Water Concentration	Reduction Requirements	Minimum Reduction	Average Reduction
Standard 42—Aesthetic Effects					
Chlorine	2.0 mg/L ± 10%		≥ 50%		86.8%
Particulate, Class 1 particles 0.5 to <1 µm	at least 10,000 particles/mL		≥ 85%		98.8%
Standard 53—Health Effects					
Cyst	Minimum 50,000/L		99.95%	99.99	99.99%
Lead 6.5	0.15 mg/L ± 10%	0.005 mg/L		99.3%	99.3%
Lead 8.5	0.15 mg/L ± 10%	0.005 mg/L		98.7%	99.3%
Chloroform (VOC surrogate chemical)	0.300 mg/L	0.015 mg/L		95.8%	98.9%
Standard 401—Emerging Contaminants					
Phenytol	200 ± 20% ng/L	0.000030 mg/L			>96.3%
Ibuprofen	400 ± 20% ng/L	0.000060 mg/L			>95.8%
Naproxen	140 ± 20% ng/L	0.000020 mg/L			>96.8%
Estrone	140 ± 20% ng/L	0.000020 mg/L			>97.2%
Bisphenol A (BPA)	2,000 ± 20% ng/L	0.000300 mg/L			>99.2%
Nonylphenol	1,400 ± 20% ng/L	0.000200 mg/L			>97.1%

[†]NSF/ANSI Standard 401 have been deemed as "incidental contaminants/emerging compounds". Incidental contaminants are those compounds that have been detected in drinking water supplies at trace levels. While occurring at only trace levels, these compounds can affect the public acceptance/perception of drinking water quality.

NOTE: Spent adsorption media will not be regenerated and used. If adsorption media is affected by chlorine, water supply should be treated to remove chlorine prior to entering filter.

OPERATING SPECIFICATIONS

- Capacity: 300 gallons (1,136L)
- Pressure Requirement: 10-125 psi (0.7 - 8.6 bar), non-shock
- Temperature: 35-100°F (2°-38°C)
- Flow Rate: 0.5 gpm (1.9 Lpm)

PERFORMANCE DATA SHEET REDUCTION CLAIMS FOR ORGANIC CHEMICALS INCLUDED BY SURROGATE TESTING

Substance	Influent Challenge Concentration mg/L	Maximum Permissible Product Water Concentration mg/L
alachlor	0.050	0.001
atrazine	0.100	0.003
benzene	0.081	0.001
carbofuran	0.190	0.001
carbon tetrachloride	0.078	0.0018
chlorobenzene	0.077	0.001
chloropicrin	0.015	0.0002
2,4-D	0.110	0.0017
dibromochloropropane (DBCP)	0.052	0.00002
o-dichlorobenzene	0.080	0.001
p-dichlorobenzene	0.040	0.001
1,2-dichloroethane	0.088	0.0048
1,1-dichloroethylene	0.083	0.001
cis-1,2-dichloroethylene	0.170	0.0005
trans-1,2-dichloroethylene	0.086	0.001
1,2-dichloropropane	0.080	0.001
cis-1,3-dichloropropylene	0.079	0.001
dinoseb	0.170	0.0002
endrin	0.053	0.00059
ethylbenzene	0.088	0.001
ethylene dibromide (EDB)	0.044	0.00002
haloacetonitriles (HAN):		
bromochloroacetonitrile	0.022	0.0005
dibromoacetonitrile	0.024	0.0006
dichloroacetonitrile	0.0096	0.0002
trichloroacetonitrile	0.015	0.0003
haloketones (HK):		
1,1-dichloro-2-propanone	0.0072	0.0001
1,1,1-trichloro-2-propanone	0.0082	0.0003
heptachlor	0.080	0.0004
heptachlor epoxide	0.0107	0.0002
hexachlorobutadiene	0.044	0.001
hexachlorocyclopentadiene	0.060	0.000002
lindane	0.055	0.00001
methoxychlor	0.050	0.0001
pentachlorophenol	0.096	0.001
simazine	0.120	0.004
styrene	0.150	0.0005
1,1,2,2-tetrachloroethane	0.081	0.001
tetrachloroethylene	0.081	0.001
toluene	0.078	0.001
2,4,5-TP(silvex)	0.270	0.0016
tribromoacetic acid	0.042	0.001
1,2,4-trichlorobenzene	0.160	0.0005
1,1,1-trichloroethane	0.084	0.0046
1,1,2-trichloro ethane	0.150	0.0005
trichloroethylene	0.180	0.001
trihalomethanes (includes):		
chloroform (surrogate chemical)		
bromoform	0.300	0.015
bromodichloromethane		
chlorodibromomethane		
xylenes (total)	0.070	0.001



The H-300-NXT is Tested and Certified by NSF International against CSA B483.1 and NSF/ANSI 42 and 53 for the claims specified on the Performance Data Sheet.

EPA Est. No. 002623-IL-002

Gracias por comprar un Everpure* sistema de filtración de agua Everpure de categoría comercial para su hogar. Con el sistema Everpure usted obtiene directamente de la llave un agua de primera calidad de buen sabor en forma conveniente para usted y su familia.

Especificaciones Del Producto:



- Para uso únicamente con agua fría
- Gama de temperatura: 2-38°C (35-100°F)
- Presión de servicio mín. - máx.: 0.7-8.6 bar (10-125 psi)
- Caudal de servicio: 1.9 Lpm (0.5 gpm)

EL MANUAL DEL USUARIO SE APLICA A LOS SIGUIENTES MODELOS DE FILTRO EVERPURE:

- Modelo H-54** Capacidad nominal: 750 Gal (2,839 L)[†]
- Modelo H-300** Capacidad nominal: 300 Gal (1,136 L)[†]
- Modelo H-104** Capacidad nominal: 1,000 Gal (3,785 L)[†]
- Modelo H-300-HSD** Capacidad nominal: 300 Gal (1,136 L)[†]
- Modelo H-300-NXT** Capacidad nominal: 300 Gal (1,136 L)[†]
- Modelo H-1200** Capacidad nominal: 1,000 Gal (3,785 L)[†]

[†]Para mayor rendimiento, el cartucho debe ser reemplazado una vez al año o antes si el caudal se vuelve demasiado lento para su conveniencia o si se alcanza la capacidad nominal de la unidad.

Para la compra de componentes reemplazables por favor póngase en contacto con su distribuidor local.

Usuarios del H-1200: Las instrucciones para la instalación del H-1200 comienzan en la página n° 15 de este Manual de Instalación y Funcionamiento.

⚠ ADVERTENCIA El Código Universal de Plomería (EE.UU.) adoptado por más de 20 estados y otros códigos estatales y de condados específicos prohíben el uso de válvulas de montura y su uso no es nunca recomendado. Usted debe cumplir con los códigos estatales o locales. Consulte con un plomero licenciado si tiene preguntas sobre esto.

⚠ ADVERTENCIA NO use tubería de cobre con las conexiones John Guest suministradas con su Sistema de Filtración Everpure. Podría parecer que la tubería de cobre encaja pero con el tiempo y el uso se desarrollarán pérdidas de agua. Si es necesario usar tubos de cobre, debe usar conectores de compresión de cobre disponibles en cualquier tienda de plomería o ferretería.

Conexiones para electrodomésticos múltiples: También puede conectar su Filtro Everpure al refrigerador para el surtidor de hielo y agua, a un surtidor instantáneo de agua caliente o fría o a una cafetera instalada. Simplemente instale conectores en T (disponibles en cualquier tienda de plomería o ferretería) en la línea de agua entre el filtro y el adaptador del grifo, y extienda instale una tubería nueva hacia cada uno de los electrodomésticos.

NOTA: *NO conecte este sistema a una máquina comercial de hacer hielo. Estas máquinas requieren un caudal y un volumen mayor que los límites de diseño de su sistema de filtración debajo del fregadero.*

NOTA: *Si lo conecta a una máquina de hacer hielo casera y no hay una conexión para un filtro de grifo debajo del fregadero: se necesita una válvula de descarga.*

INSTRUCCIONES BÁSICAS DE INSTALACIÓN

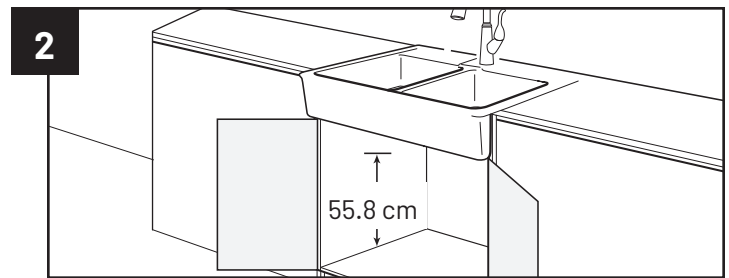
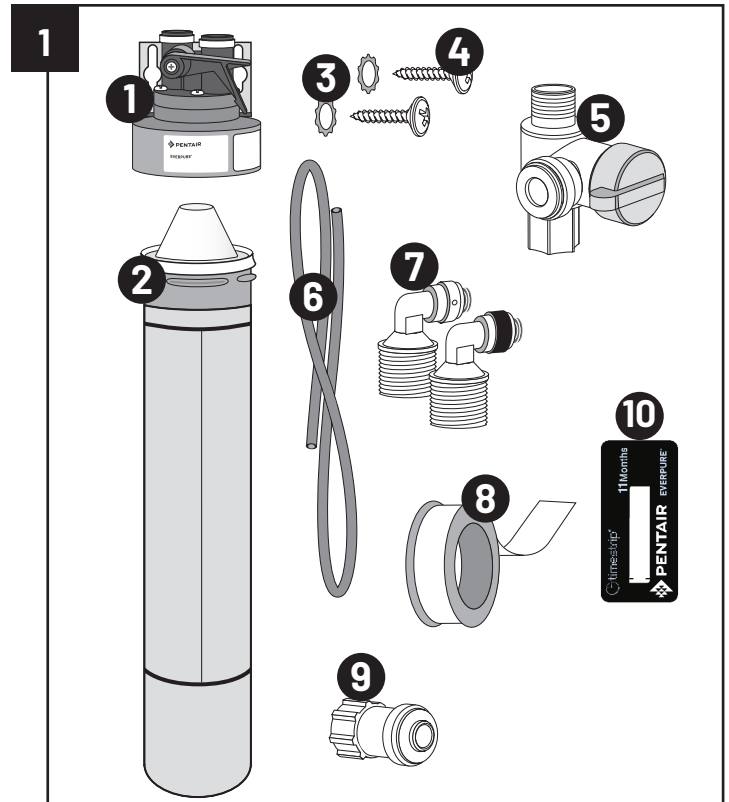
Herramientas necesarias

Destornillador #2 Phillips • Llave • Cuchillo universal
Cinta métrica • Lápiz

1. ABRA EL CARTÓN Y REVISE LAS PIEZAS

Piezas de instalación

Clave	Descripción	Pieza No
1	QL3 Cabezal de filtro (Cantidad Incluyó 2 cada uno de 3 y 4)	EV925831
2	Cartucho filtrante (incluye 10)	
	- Modelo H-54	EV925268
	- Modelo H-300	EV927072
	- Modelo H-104	EV961211
	- Modelo H-300-HSD	EV927075
	- Modelo H-300-NXT	EV927441
3	arandelas de seguridad (requiere 2)	EV306204
4	tornillos (requiere 2)	EV306196
5	Adaptador para válvula de cierre en ángulo	EV312120
6	Tubería de plástico de 0.64 cm (por 30.48 cm)	A0860119
7	Codo adaptador y reductor (Cantidad Incluyó 2 cada uno de 3 y 4)	EV308168
8	Cinta de Fontanero	EV312119
9	Conector de grifo	EV312135
10	Medidor de filtro Everpure	EV314160



2. COMPRUEBE EL SITIO DE MONTAJE DEBAJO DEL FREGADERO

Mida 55.8 cm desde la base del armario y marque el sitio de montaje de la parte superior del cabezal del filtro. Asegúrese de que haya suficiente espacio encima del cabezal para abrir y cerrar la válvula de cierre incorporada y para evitar que la tubería de agua se doble. También, asegúrese de que el sitio que escogió sea fácilmente accesible para cambiar los cartuchos en el futuro.

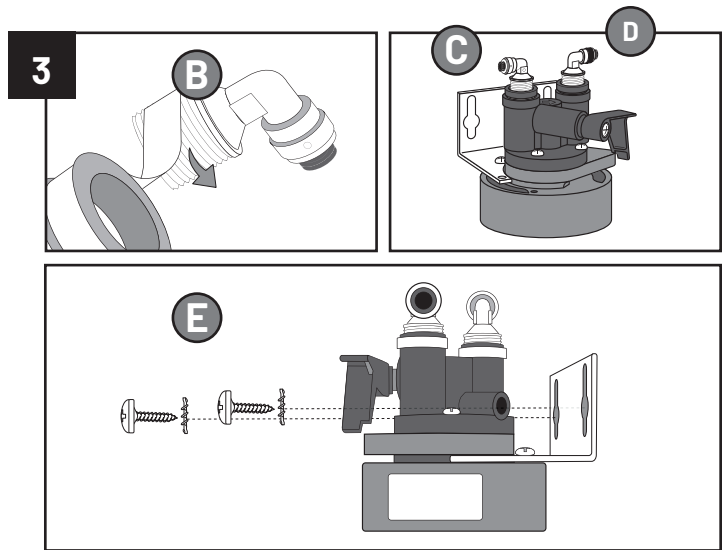
Dimensiones	Ancho	Altura	Profundidad
H-54	12.7 cm	38.1 cm	12.7 cm
H-104	12.7 cm	50.8 cm	12.7 cm
H-300	12.7 cm	55.8 cm	12.7 cm
H-300-HSD	12.7 cm	55.8 cm	12.7 cm
H-300-NXT	12.7 cm	55.8 cm	12.7 cm

NOTA: El cabezal y el cartucho deben montarse en posición vertical, con el cartucho colgando hacia abajo.

ESPAÑOL

3. MONTE EL CABEZAL DEL FILTRO DEBAJO DEL FREGADERO

- A. Identifique el cabezal de filtro y los dos codos adaptadores y note que el adaptador de salida tiene una banda negra. Este adaptador incluye un pequeño accesorio reductor para asegurar un flujo máximo de 1,9 litros por minuto.
- B. Aplique cinta de plomería a las roscas de cada codo adaptador. Enrolle la cinta en el sentido de las roscas para asegurar un ajuste firme y evitar las pérdidas pequeñas.
- C. Enrosque el codo adaptador de entrada al lado izquierdo del cabezal de filtro y sólo apriete a mano.
- D. Enrosque el codo adaptador de salida (banda negra) al lado derecho del cabezal de filtro de la misma manera.
- E. Monte firmemente el cabezal del filtro a la pared de armarios usando los tornillos de montaje y las arandelas incluidas.

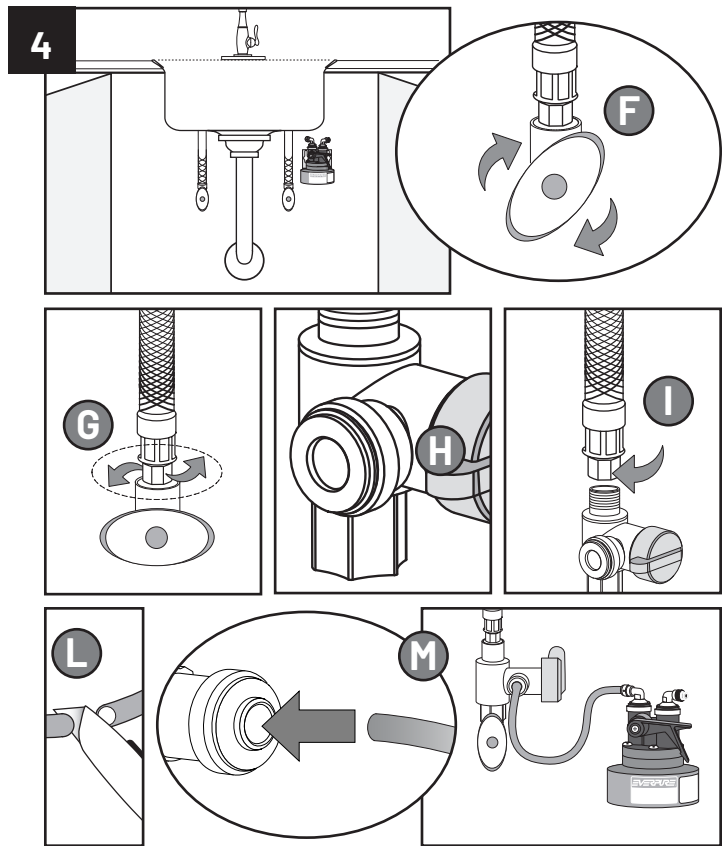


4. CONECTE EL ABASTECIMIENTO DE AGUA DE ENTRADA

- F. Ubique y cierre la válvula de cierre de agua fría en ángulo debajo del fregadero de la cocina. Abra la llave de agua fría del grifo para descargar la presión del agua.
- G. Destornille y desconecte el tubo trenzado de la parte superior de la válvula de cierre en ángulo.
- H. Acople la parte inferior del adaptador de cierre en ángulo a la válvula de cierre en ángulo existente para el agua fría.
- I. Acople el tubo trenzado a la parte superior del adaptador de cierre en ángulo.
- J. Cierre la válvula del costado del adaptador de cierre en ángulo y abra la válvula de cierre en ángulo para el agua fría para restituir el servicio de agua al fregadero de la cocina. Verifique si hay pérdidas.

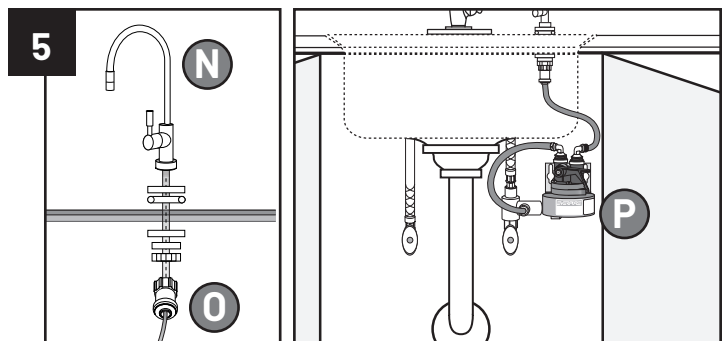
NOTA: No se necesitará cinta de Fontanero para los próximos pasos.

- K. Mida el largo del tubo necesario para conectar el adaptador de cierre en ángulo al codo adaptador de entrada en el cabezal de filtro. Deje suficiente tubo para evitar vueltas agudas.
- L. Corte el tubo a 90° usando un cuchillo filoso.
- M. Introduzca las puntas del tubo en los empalmes de conexión rápida. Empuje el tubo dentro de la conexión y tire suavemente para confirmar que el ajuste es firme.



5. CONECTE EL AGUA FILTRADA AL GRIFO DEL FREGADERO

- N. Instale un grifo separado para agua potable filtrada. Siga las instrucciones específicas del fabricante.
- O. Acople el conector del grifo a la punta inferior de la rosca del nuevo conjunto de grifo. No se necesitará cinta de Fontanero para este paso.
- P. Mida el largo del tubo necesario para conectar el codo adaptador de salida en el cabezal de filtro al conector del grifo. Deje suficiente tubo para evitar vueltas agudas. Corte e introduzca cada punta del tubo en los conectores.

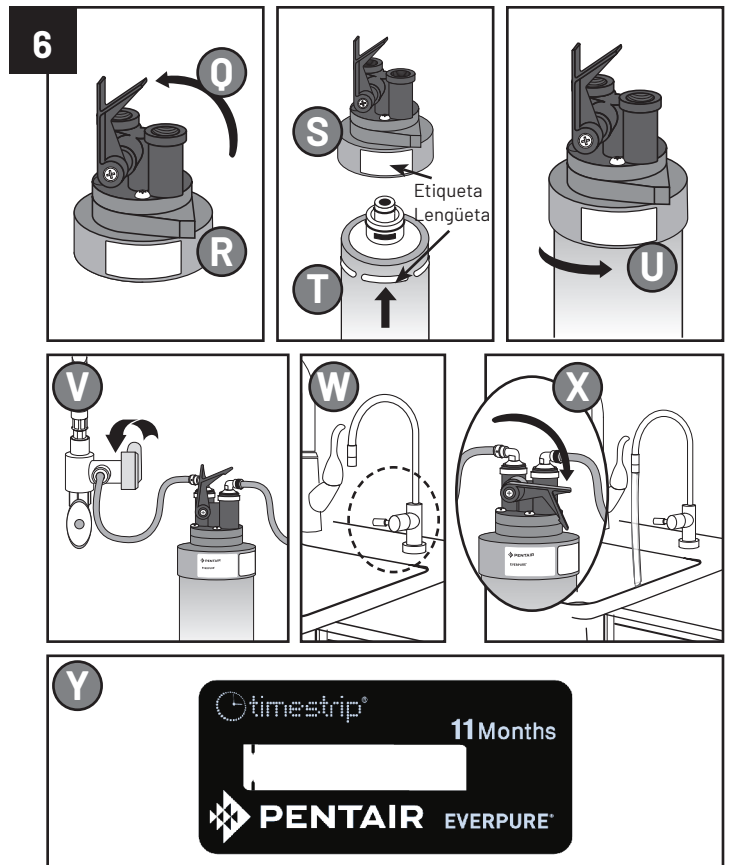


6. INSTALE EL CARTUCHO FILTRANTE Y DEJE CORRER EL AGUA

- Q. Levante la manilla de la válvula de cierre (válvula de control) en el cabezal.
- R. Sujete firmemente el cabezal con una mano.
- S. Alinee la lengüeta del cartucho con la etiqueta del cabezal del filtro.
- T. Introduzca el cartucho filtrante—empuje hacia arriba.
- U. Gírelo hacia la derecha, aproximadamente un 1/4 de vuelta hasta que tope.
- V. Abra la válvula de agua fría y compruebe que no haya pérdidas hasta el adaptador del codo de entrada.
- W. Abra el grifo de agua.
- X. Baje la manilla de la válvula de control para descargar el agua hacia el fregadero.

NOTA: Deje correr agua por el cartucho filtrante nuevo por lo menos durante 5 minutos para quitar el aire y toda partícula suelta de carbono. Al principio, el agua filtrada pudiera aparecer turbia debido al aire atrapado en el filtro y la tubería. Si el agua continúa opaca por más de una semana, póngase en contacto con el departamento de Servicios Técnicos para que le ayuden: (800) 942-1153

- Y. Active el temporizador del filtro presionando la burbuja hasta que sienta un cambio en la resistencia cuando se bote el temporizador. En unos pocos segundos aparecerá una línea ROJA delgada en la ventana blanca para mostrar que ya se activó el Timestrip. Desprenda el protector y adhiéralo al sitio donde lo requiera. Cuando la ventana blanca esté completamente llena de ROJO, será momento de reemplazar su producto.



H-1200 INSTRUCCIONES DE INSTALACIÓN

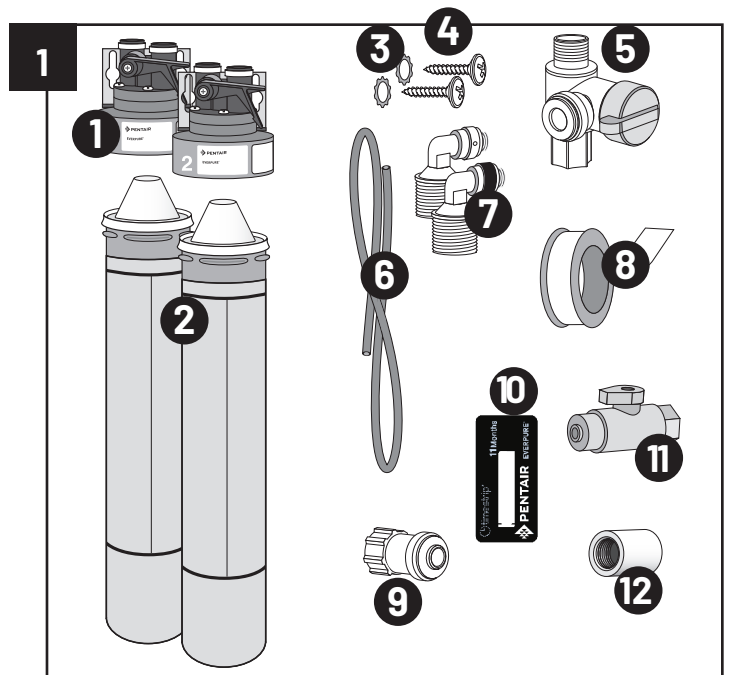
Herramientas necesarias

- Destornillador #2 Phillips
- Cinta métrica
- Llave
- Lápiz
- Cuchillo universal

1. OUVREZ LE CARTON ET INSPECTEZ LES PIÈCES

Pièces à installer

Clave	Descripción	Pieza No
1	Cabezal de filtro	N/A
2	H-1200 Cartucho filtrante (conjunto de 2) (incluye 10)	EV928201
3	Arandelas de seguridad (requiere 2)	EV306204
4	Tornillos (requiere 2)	EV306196
5	Adaptador para válvula de cierre en ángulo	EV312120
6	Tubería de plástico de 0.64 cm (por 30.48 cm)	A0860119
7	Codo adaptador y reductor (Cantidad Incluyó 2 cada uno de # 3 y # 4)	EV308168
8	Cinta de Fontanero	EV312119
9	Conector de grifo	EV312135
10	Medidor de filtro Everpure	EV314160
11	Válvula de cierre, 3/8" John Guest x 3/8" hembra	EV309860
12	Acoplador, 3/8" hembra inoxidable	EV312350



2. COMPRUEBE EL SITIO DE MONTAJE DEBAJO DEL FREGADERO

Mida 55.8 cm desde la base del armario y marque el sitio de montaje de la parte superior del cabezal del filtro. Asegúrese de que haya suficiente espacio encima del cabezal para abrir y cerrar la válvula de cierre incorporada y para evitar que la tubería de agua se doble. También, asegúrese de que el sitio que escogió sea fácilmente accesible para cambiar los cartuchos en el futuro.

Dimensiones	Ancho	Altura	Profundidad
H-1200	33 cm	55.8 cm	12.7 cm

NOTA: El cabezal y el cartucho deben montarse en posición vertical, con el cartucho colgando hacia abajo. Monte el cabezal del filtro debajo del fregadero

3. MONTE EL CABEZAL DEL FILTRO DEBAJO DEL FREGADERO

- A. Identifique el cabezal de filtro doble y la válvula de cierre (EV309860).
- B. Aplique cinta de Fontanero a la rosca del lado de entrada (izquierdo) del cabezal. Atornille la nueva válvula de cierre y ajuste a mano. Repita lo mismo con el acoplador inoxidable (EV312350) para el lado de salida (derecho) del cabezal.
- C. Aplique cinta de Fontanero a la rosca del codo adaptador de salida (banda negra). Atornille dentro de la salida del acoplador inoxidable. Enrolle la cinta en el sentido de las rosca para asegurar un ajuste firme y evitar las pérdidas pequeñas.
- D. Monte firmemente el cabezal del filtro a la pared de armarios usando los tornillos de montaje y las arandelas incluidas.

4. Vaya a la página 15 y siga los pasos 4, 5 y 6 de las Instrucciones Básicas de Instalación para completar la instalación del Sistema H-1200.

DECLARACIONES Y NOTAS

Esta instalación debe cumplir con todas las leyes y reglamentos locales y estatales.

No lo utilice con agua que sea microbiológicamente peligrosa o de calidad desconocida sin usar una desinfección adecuada, antes o después del sistema. Los sistemas certificados para la reducción de quistes pueden usarse en aguas desinfectadas que pudieran contener quistes filtrables.

Las pruebas se realizaron en condiciones normales de laboratorio, el rendimiento real pudiera variar.

EPA Est. No. 002623-IL-002



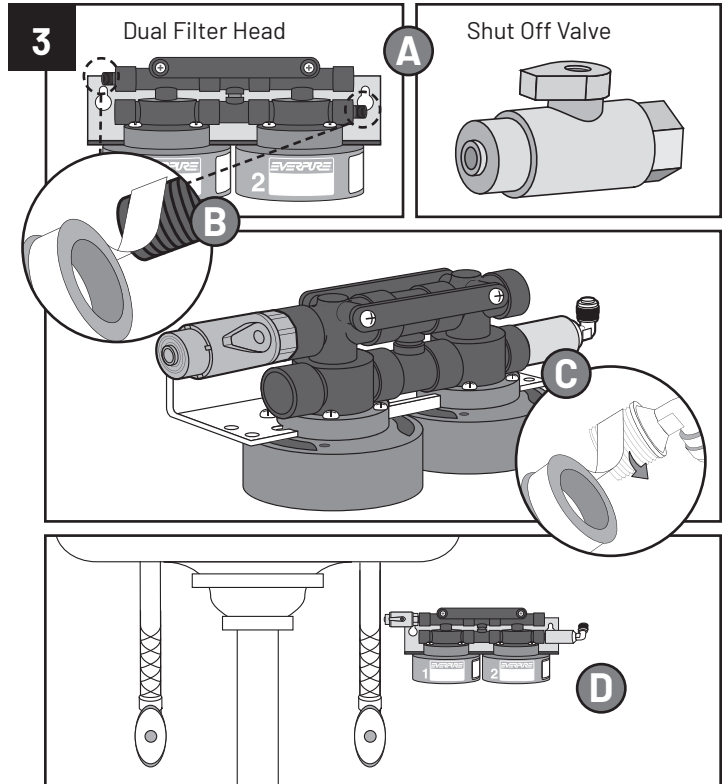
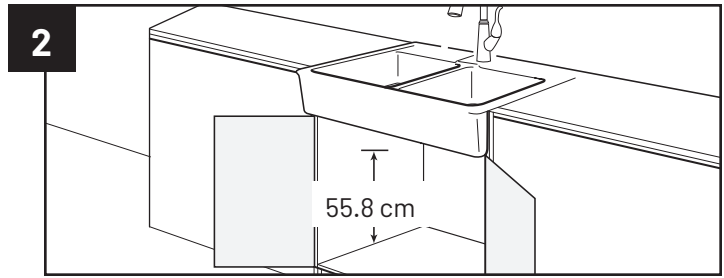
El H-54, H-300, H-104, H-300-HSD y H-1200 son probados y certificados por NSF International contra CSA B483.1 y NSF / ANSI 42 y 53 para las afirmaciones especificadas en los Datos de rendimiento Hoja.



El H-300-NXT ha sido probado y certificado por NSF International contra CSA B483.1 y NSF / ANSI 42, 53 y 401 para las afirmaciones especificadas en la Hoja de datos de rendimiento de rendimiento.



El H-1200 está certificado por IAPMO R&T contra NSF/ ANSI 53 para la reducción de ácido perfluorooctanoico (PFOA) y sulfonato de perfluorooctano (PFOS).



**CARTUCHO H-54 - PIEZA N. EV9730-06, EV9252-68,
EV9252-66, EV9252-67**

AVISO IMPORTANTE: Lea esta Hoja de información sobre rendimiento y compare las capacidades de este sistema con sus necesidades reales de tratamiento de agua. Se recomienda que antes de adquirir una unidad de tratamiento de agua, haga analizar su agua para determinar sus necesidades reales de tratamiento del agua.

CARACTERÍSTICAS

- Limpia adecuadamente el agua tratada y la convierte en agua de calidad superior para beber o cocinar.
- Reduce el gusto y el olor del cloro.
- Reduce la suciedad, el óxido y otros materiales en partículas como hierro oxidado, manganeso y sulfuros.
- Con certificado de la Norma 53 de NSF/ANSI para reducir los quistes como Cryptosporidium y Giardia por medios mecánicos.
- Adsorbe los sabores y olores frecuentes a tierra, moho y pescado.
- Reduce el nivel de plomo incluso por debajo de lo que marca el Nivel de recomendación federal (Federal Action Level) de 10 ppb.
- Reduce las partículas pequeñas, hasta de 0.5 micrones por medios mecánicos.

DATOS DE RENDIMIENTO DEL H-54

Este sistema ha sido analizado de acuerdo con las Normas NSF/ANSI 42 y 53 en cuanto a la reducción de las sustancias enumeradas a continuación. La concentración de las sustancias indicadas en el agua que entra al sistema se redujo a una concentración menor o igual a los límites permitidos para el agua que sale del sistema, como lo especifican las Normas NSF/ANSI 42 y 53.

Sustancia	Concentración de contaminantes en el agua prefiltrada	Concentración máx. permitida de productos en el agua	Necesidad de reducción	Reducción mínima	Reducción promedio
Estándar 42, efectos estéticos					
Cloro	2.0 mg/L ± 10%		≥50%		86.8%
Partículas clase I 0.5 a <1 µm	al menos 10,000 partículas/ml		≥ 85%		98.8%
Estándar 53, efectos en la salud					
Quistes	Mínimo 50,000/L		99.95%	99.99%	99.99%
Plomo 8.5	0.15 mg/L ± 10%	0.010 mg/L		98.7%	99.3%
Plomo 6.5	0.15 mg/L ± 10%	0.010 mg/L		99.3%	99.3%

*Analizado en un caudal de servicio = 0.5 gpm, presión = 60 psig, pH = 7.5 ± 0.5; temp. = 20° ± 2.5°C

ESPECIFICACIONES DE FUNCIONAMIENTO

- Capacidad: 750 galones (2.839 litros)
- Requisito de presión: 10-125 psi (0.7 - 8.6 bar), sin choque
- Temperatura: 35-100°F (2°-38°C)
- Caudal: 0.5 gpm (1.9 Lpm)

**REQUISITOS GENERALES DE INSTALACIÓN,
FUNCIONAMIENTO Y MANTENIMIENTO**

- Espacio requerido: 5 x 5 x 15 pulg. (13 x 13 x 38 cm) incluyendo 2-½ pulgadas de espacio libre debajo de la unidad para el cambio de cartucho.
- Instale verticalmente con el cartucho suspendido hacia abajo.
- Use el largo mínimo posible de tubería.
- Lave el nuevo cartucho a caudal pleno durante tres minutos para purgar el aire.
- Reemplace los cartuchos cuando alcancen su capacidad, o cuando el flujo baje demasiado, pero al menos cada año.

AVISOS ESPECIALES

- Las instrucciones de instalación, la disponibilidad de piezas y servicio, y la garantía estándar se incluyen con el producto cuando se envía.
- Este sistema de agua potable se debe mantener según las instrucciones del fabricante, incluyendo el reemplazo de los cartuchos de filtro. Precio de lista sugerido: \$100.99.
- No se debe utilizar con agua microbiológicamente insegura o de calidad desconocida sin la desinfección adecuada previa o posterior al paso por el sistema. Los sistemas certificados para la reducción de quistes pueden usarse en aguas desinfectadas que pudieran contener quistes filtrables
- Todas las sustancias contaminantes que este sistema de tratamiento de agua elimina o reduce, no están necesariamente presentes en el agua que usted consume.
- Verifique el cumplimiento con las leyes y normas estatales y locales aplicables.
- Se probó en condiciones estándar de laboratorio; el rendimiento en condiciones reales puede variar.
- El medio de adsorción agotado no se regenerará y usará.
- Si el medio de adsorción es afectado por el cloro, el suministro de agua se deberá tratar para eliminar el cloro antes de ingresar al filtro.



El sistema está probado y certificado por NSF International bajo las normas CSA B483.1 y NSF/ANSI 42 y 53 en cuanto a las afirmaciones especificadas en la Hoja de datos sobre rendimiento.

EPA Est. No. 002623-IL-002

CARTUCHO H-300 - PIEZA N. EV9270-71, EV9270-72

AVISO IMPORTANTE: Lea esta Hoja de información sobre rendimiento y compare las capacidades de este sistema con sus necesidades reales de tratamiento de agua. Se recomienda que antes de adquirir una unidad de tratamiento de agua, haga analizar su agua para determinar sus necesidades reales de tratamiento del agua.

CARACTERÍSTICAS

- Limpia adecuadamente el agua tratada y la convierte en agua de calidad superior para beber o cocinar.
- Reduce el gusto y el olor del cloro.
- Reduce la suciedad, el óxido y otros materiales en partículas como hierro oxidado, manganeso y sulfuros.
- Con certificado de la Norma 53 de NSF/ANSI para reducir los quistes como *Cryptosporidium* y *Giardia* por medios mecánicos.
- Controla los niveles extremos de olores y sabores desagradables comunes, como a tierra, a moho o a pescado.
- Reduce el nivel de plomo incluso por debajo de lo que marca el Nivel de recomendación federal (Federal Action Level).
- Reduce eficazmente compuestos orgánicos volátiles (COV), incluso los trihalometanos (THM).
- Reduce las partículas pequeñas, hasta de 0.5 micrones por medios mecánicos.

DATOS DE RENDIMIENTO DEL H-300

Este sistema ha sido analizado de acuerdo con las Normas NSF/ANSI 42 y 53 en cuanto a la reducción de las sustancias enumeradas a continuación. La concentración de las sustancias indicadas en el agua que entra al sistema se redujo a una concentración menor o igual a los límites permitidos para el agua que sale del sistema, como lo especifican las Normas NSF/ANSI 42 y 53.

Sustancia	Concentración de contaminantes en el agua prefiltrada	Concentración máx. permitida de productos en el agua	Necesidad de reducción	Reducción mínima	Reducción promedio
Estándar 42, efectos estéticos					
Cloro	2.0 mg/L ± 10%		≥50%		86.8%
Partículas clase I 0.5 a <1 µm	al menos 10,000 partículas/ml		≥ 85%		98.8%
Estándar 53, efectos en la salud					
Quistes	Mínimo 50,000/L		99.95%	99.99%	99.99%
Plomo 6.5	0.15 mg/L ± 10%	0.010 mg/L		99.3%	99.3%
Plomo 8.5	0.15 mg/L ± 10%	0.010 mg/L		98.7%	99.3%
Cloroformo	0.300 mg/L	0.015 mg/L		95.8%	98.9%

(químico sustituto de COV)

*Analizado en un caudal de servicio = 0.5 gpm, presión = 60 psig, pH = 7.5 ± 0.5; temp. = 20° ± 2.5°C



El H-300 está probado y certificado por NSF International bajo las normas CSA B483.1 y NSF/ANSI 42 y 53 en cuanto a las afirmaciones especificadas en la Hoja de datos sobre rendimiento

EPA Est. No. 002623-IL-002

NOTA: El medio de adsorción agotado no se regenerará y usará. Si el medio de adsorción es afectado por el cloro, el suministro de agua se deberá tratar para eliminar el cloro antes de ingresar al filtro.

ESPECIFICACIONES DE FUNCIONAMIENTO

- Capacidad: 300 galones (1.135 litros)
- Requisito de presión: 10-125 psi (0.7 - 8.6 bar), sin choque
- Temperatura: 35-100°F (2°-38°C)
- Caudal: 0.5 gpm (1.9 Lpm)

AFIRMACIONES DE REDUCCIÓN DE LA HOJA DE INFORMACIÓN SOBRE RENDIMIENTO PARA PRODUCTOS QUÍMICOS ORGÁNICOS INCLUIDOS MEDIANTE PRUEBAS DE SUSTITUTOS

Sustancia	Concentración de contaminantes en el agua prefiltrada mg/l	Concentración máx. permitida de productos en el agua mg/l
alacoloro	0.050	0.001
atracina	0.100	0.003
benceno	0.081	0.001
carbofurano	0.190	0.001
tetracoloro de carbono	0.078	0.0018
clorobenceno	0.077	0.001
cloropirrina	0.015	0.0002
2,4-D	0.110	0.0017
dibromocloropropano (DBCP)	0.052	0.00002
o-diclorobenceno	0.080	0.001
p-diclorobenceno	0.040	0.001
1,2-dicloroetano	0.088	0.0048
1,1-dicloroetileno	0.083	0.001
cis-1,2-dicloroetileno	0.170	0.0005
trans-1,2-dicloroetileno	0.086	0.001
1,2-dicloropropano	0.080	0.001
cis-1,3-dicloropropileno	0.079	0.001
dinoseb	0.170	0.0002
endrina	0.053	0.00059
etilbenceno	0.088	0.001
dibromuro de etileno (EDB)	0.044	0.00002
haloacetinitrilos (HAN):		
bromocloroacetinitrilo	0.022	0.0005
dibromoacetinitrilo	0.024	0.0006
dicloroacetinitrilo	0.0096	0.0002
tricloroacetinitrilo	0.015	0.0003
halocetonas (HK):		
1,1-dicloro-2-propanona	0.0072	0.0001
1,1,1-tricloro-2-propanona	0.0082	0.0003
heptacloro	0.025	0.00001
epóxido de heptacloro	0.0107	0.0002
hexaclorobutadieno	0.044	0.001
hexaclorociclopentadieno	0.060	0.000002
lindano	0.055	0.00001
metoxicloro	0.050	0.0001
pentaclorofenol	0.096	0.001
simazina	0.120	0.004
estireno	0.150	0.0005
1,1,2,2-tetracoloroetano	0.081	0.001
tetracoloroetileno	0.081	0.001
tolueno	0.078	0.001
2,4,5-TP (silvex)	0.270	0.0016
ácido tribromoacético	0.042	0.001
1,2,4-triclorobenceno	0.160	0.0005
1,1,1-tricloroetano	0.084	0.0046
1,1,2-tricloroetano	0.150	0.0005
tricloroetileno	0.180	0.001
trihalometanos (incluye):		
cloroformo (químico sustituto)		
bromoformo		
bromodichlorometano	0.310	0.015
clorodibromometano		
xilenos (total)	0.070	0.001

CARTUCHO H-1200 - PIEZA N. EV9282-01, EV9282-03

AVISO IMPORTANTE: Lea esta Hoja de información sobre rendimiento y compare las capacidades de este sistema con sus necesidades reales de tratamiento de agua. Se recomienda que antes de adquirir una unidad de tratamiento de agua, haga analizar su agua para determinar sus necesidades reales de tratamiento del agua.

CARACTERÍSTICAS

- Limpia adecuadamente el agua tratada y la convierte en agua de calidad superior para beber o cocinar.
- Con certificado de la Norma 53 de NSF/ANSI para reducir los quistes como *Cryptosporidium* y *Giardia* por medios mecánicos.
- Reduce la suciedad, el óxido y otros materiales en partículas como hierro oxidado, manganeso y sulfuros, como comprobó Everpure.
- Sistema de alto rendimiento certificado para reducir hasta el 97,5% de PFOA/PFOS, comúnmente conocidos como "químicos para siempre".
- Controla los niveles extremos de olores y sabores desagradables comunes, como a tierra, a moho o a pescado.
- Reduce el nivel de plomo incluso por debajo de lo que marca el Nivel de recomendación federal (Federal Action Level) de 15 ppb.
- Reduce eficazmente compuestos orgánicos volátiles (COV), incluso los trihalometanos (THM).
- Reduce eficazmente el metil terbutil éter (MTBE).
- Reduce las partículas pequeñas, hasta de 0.5 micrones por medios mecánicos.

DATOS DE RENDIMIENTO DEL H-1200

Este sistema ha sido analizado de acuerdo con las Normas NSF/ANSI 42 y 53 en cuanto a la reducción de las sustancias enumeradas a continuación. La concentración de las sustancias indicadas en el agua que entra al sistema se redujo a una concentración menor o igual a los límites permitidos para el agua que sale del sistema, como lo especifican las Normas NSF/ANSI 42 y 53.

Sustancia	Concentración de contaminantes en el agua prefiltrada	Concentración máx. permitida de productos en el agua	Necesidad de reducción	Reducción mínima	Reducción promedio
Estándar 42, efectos estéticos					
Cloro	2.0 mg/L ± 10%		≥ 50%		86.8%
Cloramina	3.0 mg/L ± 10%	0.5 mg/L			98.3%
Partículas clase I 0.5 a <1 µm	al menos 10,000 partículas/ml		≥ 85%		98.8%
Estándar 53, efectos en la salud					
Quistes	Mínimo 50,000/L		99.95%	99.99%	99.99%
Plomo 6.5	0.15 mg/L ± 10%	0.010 mg/L		99.3%	99.3%
Plomo 8.5	0.15 mg/L ± 10%	0.010 mg/L		98.7%	99.3%
Metil terbutil éter (MTBE)	0.015 mg/L ± 20%	0.005 mg/L		73.5%	90.2%
Cloroformo	0.300 mg/L	0.015 mg/L		99.8%	99.8%
PFOA/PFOS	0.0015 mg/L ± 10%	0.00007mg/L		95.7%	97.5%

(químico sustituto de COV)

*Analizado en un caudal de servicio = 0.5 gpm, presión = 60 psig, pH = 7.5 ± 0.5; temp. = 20° ± 2.5°C



El H-1200 está probado y certificado por NSF International bajo las normas CSA B483.1 y NSF/ANSI 42 y 53 en cuanto a las afirmaciones especificadas en la Hoja de datos sobre rendimiento.

EPA Est. No. 002623-IL-002

ESPECIFICACIONES DE FUNCIONAMIENTO

- Capacidad: 1,000 galones (3.785 litros)
- Requisito de presión: 10-125 psi (0.7 - 8.6 bar), sin choque
- Temperatura: 35-100°F (2°-38°C)
- Caudal: 0.5 gpm (1.9 Lpm)

AFIRMACIONES DE REDUCCIÓN DE LA HOJA DE INFORMACIÓN SOBRE RENDIMIENTO PARA PRODUCTOS QUÍMICOS ORGÁNICOS INCLUIDOS MEDIANTE PRUEBAS DE SUSTITUTOS

Sustancia	Concentración de contaminantes en el agua prefiltrada mg/l	Concentración máx. permitida de productos en el agua mg/l
alacloro	0.050	0.001
atracina	0.100	0.003
benceno	0.081	0.001
carbofurano	0.190	0.001
tetracloruro de carbono	0.078	0.0018
clorobenceno	0.077	0.001
cloropicrina	0.015	0.0002
2,4-D	0.110	0.0017
dibromocloropropano (DBCP)	0.052	0.00002
o-diclorobenceno	0.080	0.001
p-diclorobenceno	0.040	0.001
1,2-dicloroetano	0.088	0.0048
1,1-dicloroetileno	0.083	0.001
cis-1,2-dicloroetileno	0.170	0.0005
trans-1,2-dicloroetileno	0.086	0.001
1,2-dicloropropano	0.080	0.001
cis-1,3-dicloropropileno	0.079	0.001
dinoseb	0.170	0.0002
endrina	0.053	0.00059
etilbenceno	0.088	0.001
dibromuro de etileno (EDB)	0.044	0.00002
haloacetoneitrilos (HAN):		
bromocloroacetoneitrilo	0.022	0.0005
dibromoacetoneitrilo	0.024	0.0006
dicloroacetoneitrilo	0.0096	0.0002
tricloroacetoneitrilo	0.015	0.0003
halocetonas (HK):		
1,1-dicloro-2-propanona	0.0072	0.0001
1,1,1-tricloro-2-propanona	0.0082	0.0003
heptacloro	0.080	0.0004
epóxido de heptacloro	0.0107	0.0002
hexaclorobutadieno	0.044	0.001
hexaclorociclopentadieno	0.060	0.000002
lindano	0.055	0.00001
metoxicloro	0.050	0.0001
pentaclorofenol	0.096	0.001
simazina	0.120	0.004
estireno	0.150	0.0005
1,1,2,2-tetracloroetano	0.081	0.001
tetracloroetileno	0.081	0.001
tolueno	0.078	0.001
2,4,5-TP (silvex)	0.270	0.0016
ácido tribromoacético	0.042	0.001
1,2,4-triclorobenceno	0.160	0.0005
1,1,1-tricloroetano	0.084	0.0046
1,1,2-tricloroetano	0.150	0.0005
tricloroetileno	0.180	0.001
trihalometanos (incluye):		
cloroformo (químico sustituto)		
bromoforno	0.300	0.015
bromodichlorometano		
clorodibromometano		
xilenos (total)	0.070	0.001

NOTA: El medio de adsorción agotado no se regenerará y usará. Si el medio de adsorción es afectado por el cloro, el suministro de agua se deberá tratar para eliminar el cloro antes de ingresar al filtro.

CARTUCHO H-300-HSD - PIEZA N. EV9270-74, EV9270-75

AVISO IMPORTANTE: Lea esta Hoja de información sobre rendimiento y compare las capacidades de este sistema con sus necesidades reales de tratamiento de agua. Se recomienda que antes de adquirir una unidad de tratamiento de agua, haga analizar su agua para determinar sus necesidades reales de tratamiento del agua.

CARACTERÍSTICAS

- Para agua con alta densidad de sedimento respecto al H-300 estándar.
- Limpia adecuadamente el agua tratada y la convierte en agua de calidad superior para beber o cocinar.
- Reduce el gusto y el olor del cloro.
- Reduce la suciedad, el óxido y otros materiales en partículas como hierro oxidado, manganeso y sulfuros.
- Con certificado de la Norma 53 de NSF/ANSI para reducir los quistes como Cryptosporidium y Giardia por medios mecánicos.
- Controla los niveles extremos de olores y sabores desagradables comunes, como a tierra, a moho o a pescado.
- Reduce el nivel de plomo incluso por debajo de lo que marca el Nivel de recomendación federal (Federal Action Level) de 15 ppb.
- Reduce eficazmente compuestos orgánicos volátiles (COV).
- Reduce las partículas pequeñas, hasta de 0.5 micrones por medios mecánicos.

DATOS DE RENDIMIENTO DEL H-300-HSD

Este sistema ha sido analizado de acuerdo con las Normas NSF/ANSI 42 y 53 en cuanto a la reducción de las sustancias enumeradas a continuación. La concentración de las sustancias indicadas en el agua que entra al sistema se redujo a una concentración menor o igual a los límites permitidos para el agua que sale del sistema, como lo especifican las Normas NSF/ANSI 42 y 53.

Sustancia	Concentración de contaminantes en el agua prefiltrada	Concentración máx. permitida de productos en el agua	Necesidad de reducción	Reducción mínima	Reducción promedio
Estándar 42, efectos estéticos					
Cloro	2.0 mg/L ± 10%		≥50%		86.8%
Partículas clase I 0.5 a <1 µm	al menos 10,000 partículas/ml		≥ 85%		98.8%
Estándar 53, efectos en la salud					
Quistes	Mínimo 50,000/L		99.95%	99.99%	99.99%
Plomo 6.5	0.15 mg/L ± 10%	0.010 mg/L		99.3%	99.3%
Plomo 8.5	0.15 mg/L ± 10%	0.010 mg/L		98.7%	99.3%
Cloroformo	0.300 mg/L	0.015 mg/L		95.8%	98.9%

(químico sustituto de COV)
 *Analizado en un caudal de servicio = 0.5 gpm, presión = 60 psig, pH = 7.5 ± 0.5; temp. = 20° ± 2.5°C



El H-300-HSD está probado y certificado por NSF International bajo las normas CSA B483.1 y NSF/ANSI 42 y 53 en cuanto a las afirmaciones especificadas en la Hoja de datos sobre rendimiento.

EPA Est. No. 002623-IL-002

NOTA: El medio de adsorción agotado no se regenerará y usará. Si el medio de adsorción es afectado por el cloro, el suministro de agua se deberá tratar para eliminar el cloro antes de ingresar al filtro.

ESPECIFICACIONES DE FUNCIONAMIENTO

- Capacidad: 300 galones (1.135 litros)
- Requisito de presión: 10-125 psi (0.7 - 8.6 bar), sin choque
- Temperatura: 35-100°F (2°-38°C)
- Caudal: 0.5 gpm (1.9 Lpm)

AFIRMACIONES DE REDUCCIÓN DE LA HOJA DE INFORMACIÓN SOBRE RENDIMIENTO PARA PRODUCTOS QUÍMICOS ORGÁNICOS INCLUIDOS MEDIANTE PRUEBAS DE SUSTITUTOS

Sustancia	Concentración de contaminantes en el agua prefiltrada mg/l	Concentración máx. permitida de productos en el agua mg/l
alacoloro	0.050	0.001
atracina	0.100	0.003
benceno	0.081	0.001
carbofurano	0.190	0.01
tetracloruro de carbono	0.078	0.0018
clorobenceno	0.077	0.001
cloropicrina	0.015	0.0002
2,4-D	0.110	0.0017
dibromocloropropano (DBCP)	0.052	0.00002
o-diclorobenceno	0.080	0.001
p-diclorobenceno	0.040	0.001
1,2-dicloroetano	0.088	0.0048
1,1-dicloroetileno	0.083	0.001
cis-1,2-dicloroetileno	0.170	0.0005
trans-1,2-dicloroetileno	0.086	0.001
1,2-dicloropropano	0.080	0.001
cis-1,3-dicloropropileno	0.079	0.001
dinoseb	0.170	0.0002
endrina	0.053	0.00059
etilbenceno	0.088	0.001
dibromuro de etileno (EDB)	0.044	0.00002
haloacetnitrilos (HAN):		
bromocloroacetnitrilo	0.022	0.0005
dibromoacetnitrilo	0.024	0.0006
dicloroacetnitrilo	0.0096	0.0002
tricloroacetnitrilo	0.015	0.0003
haloacetonas (HK):		
1,1-dicloro-2-propanona	0.0072	0.0001
1,1,1-tricloro-2-propanona	0.0082	0.0003
heptacloro	0.080	0.0004
epóxido de heptacloro	0.0107	0.0002
hexaclorobutadieno	0.044	0.001
hexaclorociclopentadieno	0.060	0.000002
lindano	0.055	0.00001
metoxicloro	0.050	0.0001
pentaclorofenol	0.096	0.001
simazina	0.120	0.004
estireno	0.150	0.0005
1,1,2,2-tetracloroetano	0.081	0.001
tetracloroetileno	0.081	0.001
tolueno	0.078	0.001
2,4,5-TP (silvex)	0.270	0.0016
ácido tribromoacético	0.042	0.001
1,2,4-triclorobenceno	0.160	0.0005
1,1,1-tricloroetano	0.084	0.0046
1,1,2-tricloroetano	0.050	0.0005
tricloroetileno	0.180	0.001
trihalometanos (incluye):		
cloroformo (químico sustituto)		
bromoformo		
bromodichlorometano	0.310	0.015
clorodibromometano		
xilenos (total)	0.070	0.001

CARTUCHO H-300-NXT - PIEZA N. EV927441, EV927446

AVISO IMPORTANTE: Lea esta Hoja de información sobre rendimiento Everpure y compare las capacidades de este sistema con sus necesidades reales de tratamiento de agua. Se recomienda que antes de adquirir una unidad de tratamiento de agua, haga analizar su agua para determinar sus necesidades reales de tratamiento del agua.

CARACTERÍSTICAS

- Limpia adecuadamente el agua tratada y la convierte en agua de calidad superior para beber o cocinar.
- Reduce el gusto y el olor del cloro.
- Reduce la suciedad, el óxido y otros materiales en partículas como hierro oxidado, manganeso y sulfuros, como comprobó Pentair.
- Con certificado de la Norma 53 de NSF/ANSI para reducir los quistes como *Cryptosporidium* y *Giardia* por medios mecánicos.
- Controla los niveles extremos de olores y sabores desagradables comunes, como a tierra, a moho o a pescado.
- Reduce el plomo.
- Reduce eficazmente compuestos orgánicos volátiles (COV).
- Reduce las partículas pequeñas, hasta de 0.5 micrones por medios mecánicos.
- Certificado según la Norma 401 de NSF/ANSI en cuanto a la reducción de los compuestos contaminantes/emergentes incidentales indicados en la hoja de información sobre rendimiento.

DATOS DE RENDIMIENTO DEL H-300 NXT

Este sistema ha sido analizado de acuerdo con las Normas NSF/ANSI 42, 53, y 401 en cuanto a la reducción de las sustancias enumeradas a continuación. La concentración de las sustancias indicadas en el agua que entra al sistema se redujo a una concentración menor o igual a los límites permitidos para el agua que sale del sistema, como lo especifican las Normas NSF/ANSI 42, 53 y 401.

Sustancia	Concentración de contaminantes en el agua prefiltrada	Concentración máx. permitida de productos en el agua	Necesidad de reducción	Reducción mínima	Reducción promedio
Estándar 42, efectos estéticos					
Cloro	2.0 mg/L ± 10%		≥50%		86.8%
Partículas clase 10.5 a <1 µm	al menos 10,000 partículas/ml		≥ 85%		98.8%
Estándar 53, efectos en la salud					
Quistes	Mínimo 50,000/L		99.95%	99.99%	99.99%
Plomo 6.5	0.15 mg/L ± 10%	0.010 mg/L		99.3%	>99.3%
Plomo 8.5	0.15 mg/L ± 10%	0.010 mg/L		98.7%	99.3%
Cloroformo (químico sustituto de COV)	0.300 mg/L	0.015 mg/L		95.8%	98.9%
*Analizado en un caudal de servicio = 0.5 gpm, presión = 60 psig, pH = 7.5 ± 0.5; temp. = 20° ± 2.5°C					

Norma 401—Contaminantes emergentes

Fenitoina	200 ± 20% ng/L	0.000030 mg/L			>96.3%
Ibuprofeno	400 ± 20% ng/L	0.000060 mg/L			>95.8%
Naproxeno	140 ± 20% ng/L	0.000020 mg/L			>96.8%
Estrona	140 ± 20% ng/L	0.000020 mg/L			>97.2%
Bisfenol A (BPA)	2,000 ± 20% ng/L	0.000300 mg/L			>99.2%
Nonilfenol	1,400 ± 20% ng/L	0.000200 mg/L			>97.1%

La Norma 401 de NSF/ANSI se considera como "los compuestos contaminantes/emergentes incidentales". Los contaminantes incidentales son aquellos compuestos que se han detectado en suministros de agua potable en niveles de trazas. Aunque solo se presenten en niveles de trazas, estos compuestos pueden afectar la aceptación o percepción del público de la calidad del agua potable.

NOTA: El medio de adsorción agotado no se regenerará y usará. Si el medio de adsorción es afectado por el cloro, el suministro de agua se deberá tratar para eliminar el cloro antes de ingresar al filtro.

ESPECIFICACIONES DE FUNCIONAMIENTO

- Capacidad: 300 galones (1.136 litros)
- Requisito de presión: 10-125 psi (0.7 - 8.6 bar), sin choque
- Temperatura: 35-100°F (2°-38°C)
- Caudal: 0.5 gpm (1.9 Lpm)

AFIRMACIONES DE REDUCCIÓN DE LA HOJA DE INFORMACIÓN SOBRE RENDIMIENTO PARA PRODUCTOS QUÍMICOS ORGÁNICOS INCLUIDOS MEDIANTE PRUEBAS DE SUSTITUTOS

Sustancia	Concentración de contaminantes en el agua prefiltrada mg/l	Concentración máx. permitida de productos en el agua mg/l
alacloro	0.050	0.001
atracina	0.100	0.003
benceno	0.081	0.001
carbofurano	0.190	0.001
tetracloruro de carbono	0.078	0.0018
clorobenceno	0.077	0.001
cloropicrina	0.015	0.0002
2,4-D	0.110	0.0017
dibromocloropropano (DBCP)	0.052	0.00002
o-diclorobenceno	0.080	0.001
p-diclorobenceno	0.040	0.001
1,2-dicloroetano	0.088	0.0048
1,1-dicloroetileno	0.083	0.001
cis-1,2-dicloroetileno	0.170	0.0005
trans-1,2-dicloroetileno	0.086	0.001
1,2-dicloropropano	0.080	0.001
cis-1,3-dicloropropileno	0.079	0.001
dinoseb	0.170	0.0002
endrina	0.053	0.00059
etilbenceno	0.088	0.001
dibromuro de etileno (EDB)	0.044	0.00002
haloacetnitrilos (HAN): bromocloroacetnitrilo dibromoacetnitrilo dicloroacetnitrilo tricloroacetnitrilo	0.022 0.024 0.0096 0.015	0.0005 0.0006 0.0002 0.0003
haloetonas (HK): 1,1-dicloro-2-propanona 1,1,1-tricloro-2-propanona	0.0072 0.0082	0.0001 0.0003
heptacloro	0.080	0.0004
epóxido de heptacloro	0.0107	0.0002
hexaclorobutadieno	0.044	0.001
hexaclorociclopentadieno	0.060	0.000002
lindano	0.055	0.00001
metoxicloro	0.050	0.0001
pentaclorofenol	0.096	0.001
simazina	0.120	0.004
estireno	0.150	0.0005
1,1,2,2-tetracloroetano	0.081	0.001
tetracloroetileno	0.081	0.001
tolueno	0.078	0.001
2,4,5-TP (silvex)	0.270	0.0016
ácido tribromoacético	0.042	0.001
1,2,4-triclorobenceno	0.160	0.0005
1,1,1-tricloroetano	0.084	0.0046
1,1,2-tricloroetano	0.150	0.0005
tricloroetileno	0.180	0.001
trihalometanos (incluye): cloroformo (químico sustituto) bromoformo bromodiodrometano clorodibromometano	0.300	0.015
xilenos (total)	0.070	0.001



El H-300-NXT está probado y certificado por NSF International bajo las normas CSA B483.1 y NSF/ANSI 42, 53, y 401 en cuanto a las afirmaciones especificadas en la Hoja de datos sobre

EPA Est. No. 002623-IL-002

Everpure* vous remercie de votre achat d'un filtre de qualité professionnelle pour votre logement. Avec votre système Everpure, votre famille et vous pourrez facilement tirer directement à votre robinet, de l'eau de qualité supérieure au goût.

Caractéristiques Techniques Du Produit:



- Pour usage sur eau froide uniquement
- Gammes de températures : 2 à 38°C
- Pression utile mini. – maxi. : 0.7-8.6 bar
- Débit de service : 1.9 Lpm

LE GUIDE DE L'UTILISATEUR S'APPLIQUE AUX FILTRES EVERPURE DES MODÈLES SUIVANTS :

Modèle H-54 Capacité nominale : 750 Gal (2,839 L)*

Modèle H-300 Capacité nominale : 300 Gal (1,136 L)*

Modèle H-104 Capacité nominale : 1,000 Gal (3,785 L)*

Modèle H-300-HSD Capacité nominale : 300 Gal (1,136 L)*

Modèle H-300-NXT Capacité nominale : 300 Gal (1,136 L)*

Modèle H-1200 Capacité nominale : 1,000 Gal (3,785 L)*

*Pour maximiser la performance, il convient de remplacer la cartouche une fois par an ou plus souvent si le débit ralentit trop ou si la capacité nominale de l'unité est dépassée

Pour l'achat de composants remplaçables s'il vous plaît contacter votre distributeur local.

Clients de l'H-1200 : Les consignes d'installation du H-1200 commencent à la page no 28 de ce guide d'installation et d'utilisation.

⚠ AVERTISSEMENT le règlement américain de la plomberie (Universal Plumbing Code) adopté par plus de 20 états ainsi que d'autres règlements spécifiques à certaines villes ou à certains contés interdit l'usage de robinets à étrier, et en tout état de cause, leur utilisation n'est jamais recommandée. Vous devez suivre les règlements de plomberie de votre état ainsi que ceux de votre localité. Consultez un plombier qualifié si vous avez des questions à ce sujet.

⚠ AVERTISSEMENT n'utilisez PAS de tubes de cuivre avec les raccords de type John Guest fournis avec votre système de filtrage Everpure. Le tube de cuivre pourrait donner l'impression de convenir, mais des fuites d'eau se développeront à l'usage ou au bout d'un certain temps. Si vous devez utiliser du tube en cuivre, il vous faut alors employer des raccords cuivre à compression disponibles dans toutes les quincailleries ou fournisseurs de plomberie.

Raccordement à plusieurs appareils : vous pouvez également raccorder votre filtre Everpure au réfrigérateur pour la distribution d'eau et de glace, à un distributeur d'eau chaude instantanée, à un refroidisseur ou à une cafetière raccordée à l'arrivée d'eau. Il vous suffit d'installer des raccords en Té (disponibles dans toutes les quincailleries ou fournisseurs de plomberie) dans la ligne d'alimentation en eau entre le filtre et l'adaptateur du robinet puis d'amener un tuyau à chaque appareil.

REMARQUE : NE raccordez PAS ce système à une machine à glaçons commerciale. Ce type d'appareil nécessite un débit et un volume d'eau supérieurs aux limites pour lesquelles votre filtre sous évier a été conçu.

REMARQUE : Si vous le raccordez à une machine à glaçons domestique et qu'il n'y a pas de raccordement à un robinet de filtre sous l'évier, il faut prévoir un robinet de purge.

INSTRUCTIONS D'INSTALLATION DE BASE

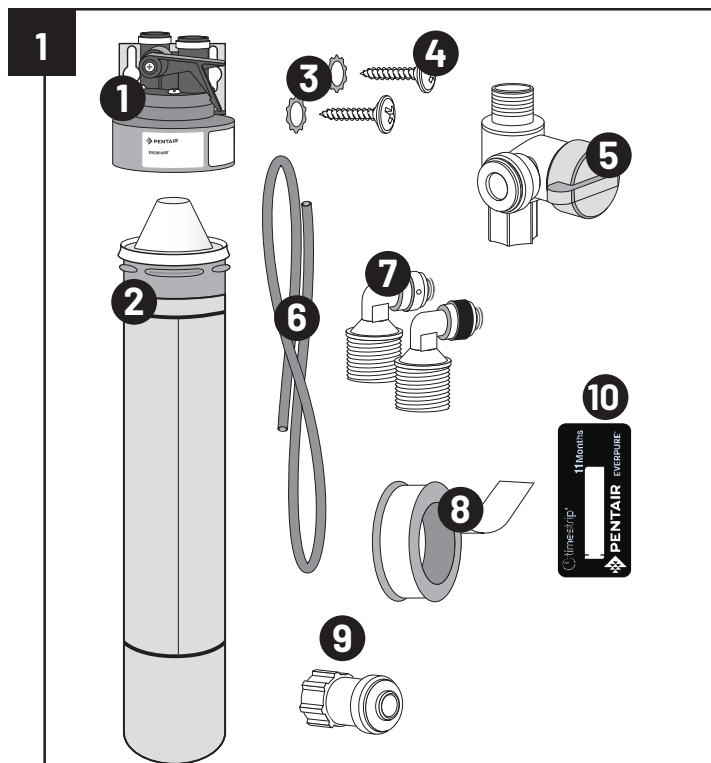
Outils nécessaires

Tournevis #2 Phillips • Clé • Couteau • Mètre à ruban • Crayon de bois

1. OUVREZ LE CARTON ET INSPECTEZ LES PIÈCES

Pièces à installer

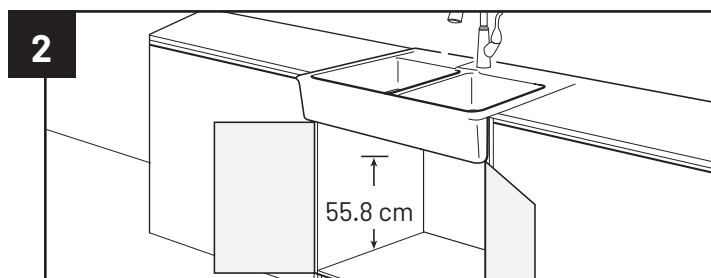
Repère	Description	No de pièce
1	QL3 Tête de filtre (Quantité incluse 2 chacun des n° 3 et 4)	EV925831
2	Cartouche filtrante (incluse 10)	
	- Modèle H-54	EV925268
	- Modèle H-300	EV927072
	- Modèle H-104	EV961211
	- Modèle H-300-HSD	EV927075
	- Modèle H-300-NXT	EV927441
3	Rondelles de blocage (requis 2)	EV306204
4	Vis (requis 2)	EV306196
5	Adaptateur de robinet d'arrêt d'équerre	EV312120
6	Tube plastique 1/4 po (por 30.48 cm)	A0860119
7	Raccord coudé et réducteur (Quantité incluse 2 chacun des n° 3 et 4)	EV308168
8	Sparadrap	EV312119
9	Raccord de robinet	EV312135
10	Compteur du filtre Everpure	EV314160



2. VÉRIFIEZ L'EMPLACEMENT DE MONTAGE SOUS L'ÉVIER

Mesurez 55.8 cm par rapport au bas du placard et repérez l'emplacement de montage du dessus de la tête de filtre. Assurez-vous qu'il y a assez d'espace au-dessus de la tête pour ouvrir et fermer le robinet d'arrêt intégré et pour éviter de faire un pli dans le tuyau d'arrivée d'eau. Assurez-vous également que l'emplacement choisi permet un accès facile pour changer les cartouches dans le futur.

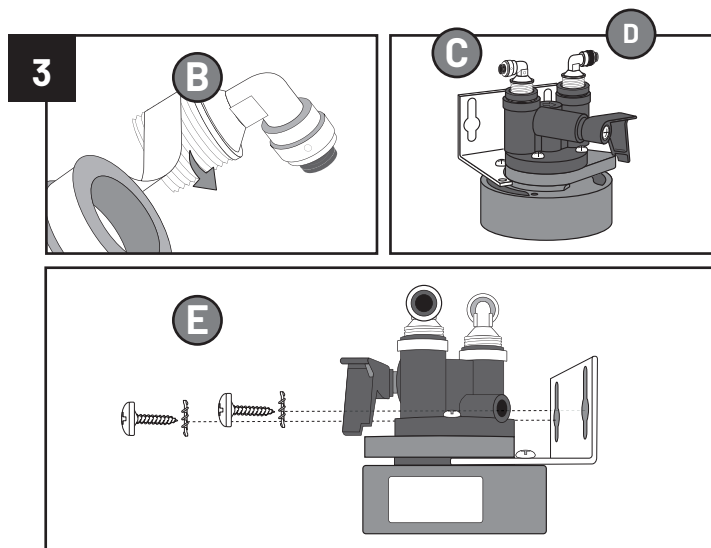
Dimensions	Largeur	Hauteur	Profondeur
H-54	12.7 cm	38.1 cm	12.7 cm
H-104	12.7 cm	50.8 cm	12.7 cm
H-300	12.7 cm	55.8 cm	12.7 cm
H-300-HSD	12.7 cm	55.8 cm	12.7 cm
H-300-NXT	12.7 cm	55.8 cm	12.7 cm



REMARQUE : la tête et la cartouche doivent être montées en position verticale avec la cartouche dirigée vers le bas.

3. MONTAGE DE LA TÊTE DE FILTRE SOUS L'ÉVIER

- A. Identifiez la tête de filtre et les deux raccords soudés et remarquez que le raccord de sortie est doté d'une bague noire. Ce raccord est muni d'un petit réducteur rapporté pour limiter le débit à un maximum de 1,9 litres (0,5 gallon) par minute.
- B. Enrobez les filets des raccords soudés de ruban Sparadrap. Enroulez le ruban dans le sens des filets pour assurer un serrage convenable et éviter les petites fuites.
- C. Vissez le coude d'entrée sur le côté gauche de la tête filtrante et serrez à la main seulement.
- D. Vissez le coude de sortie (bague noire) sur le côté droit de la tête filtrante de la même manière.
- E. Montez fermement la tête de filtre sur la paroi du placard à l'aide des vis et rondelles de montage fournies.

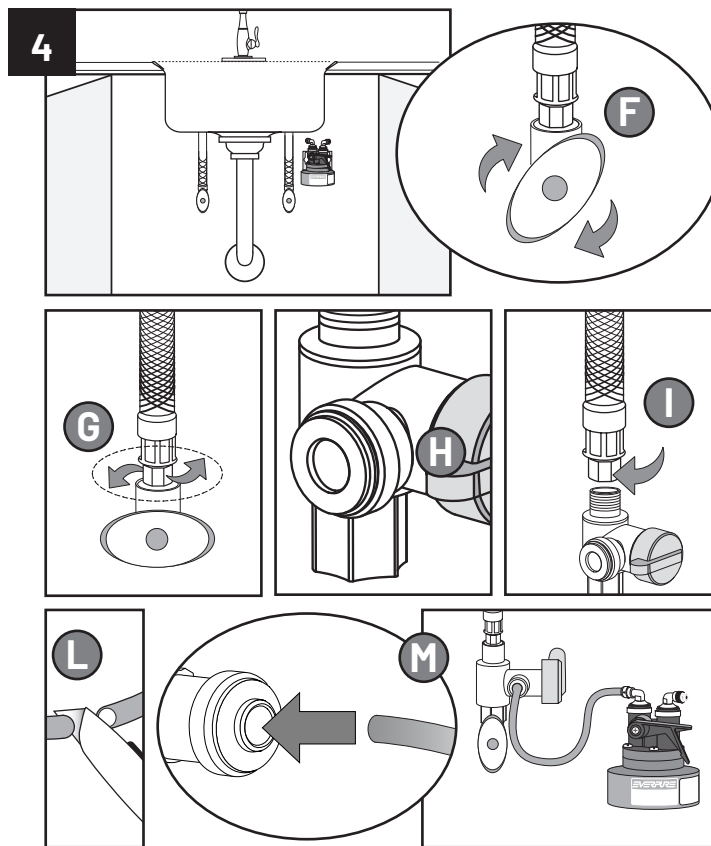


4. RACCORDEMENT DE L'ARRIVÉE D'EAU

- F. Localisez le robinet d'arrêt d'équerre d'eau froide sous votre évier de cuisine et fermez-le.
- G. Dévissez le tube armé du dessus du robinet d'arrêt d'équerre et débranchez-le.
- H. Fixez la partie inférieure de l'adaptateur de robinet d'arrêt d'équerre sur le robinet d'arrêt d'équerre d'eau froide existant.
- I. Raccordez le tube armé à la partie supérieure de l'adaptateur de robinet d'arrêt d'équerre.
- J. Fermez le robinet latéral de l'adaptateur de robinet d'arrêt d'équerre et ouvrez le robinet d'arrêt d'équerre d'eau froide pour rétablir l'arrivée d'eau à l'évier. Vérifiez qu'il n'y a pas de fuites.

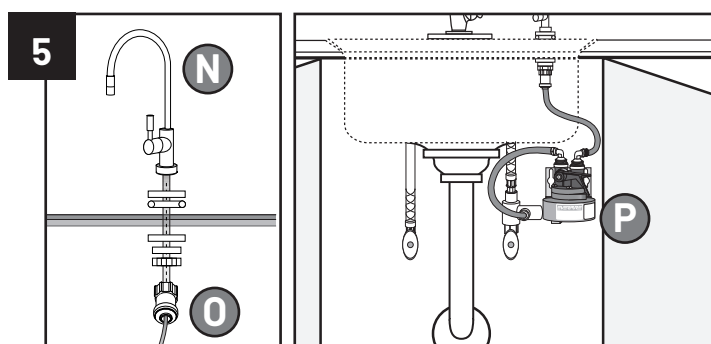
REMARQUE : *il n'est pas nécessaire d'utiliser de ruban Fontanero pour les étapes qui suivent.*

- K. Mesurez la longueur de tube nécessaire pour raccorder l'adaptateur de robinet d'arrêt d'équerre au coude d'entrée de la tête filtrante. Prévoyez suffisamment de longueur pour éviter les coudes brusques.
- L. Coupez le tube d'équerre à l'aide d'un couteau bien aiguisé.
- M. Enfoncez les extrémités du tube dans les raccords rapides. Poussez le tube dans le raccord et tirez doucement dessus pour confirmer qu'il est bien assujéti.



5. RACCORDEMENT DE L'EAU FILTRÉE AU ROBINET DE L'ÉVIER

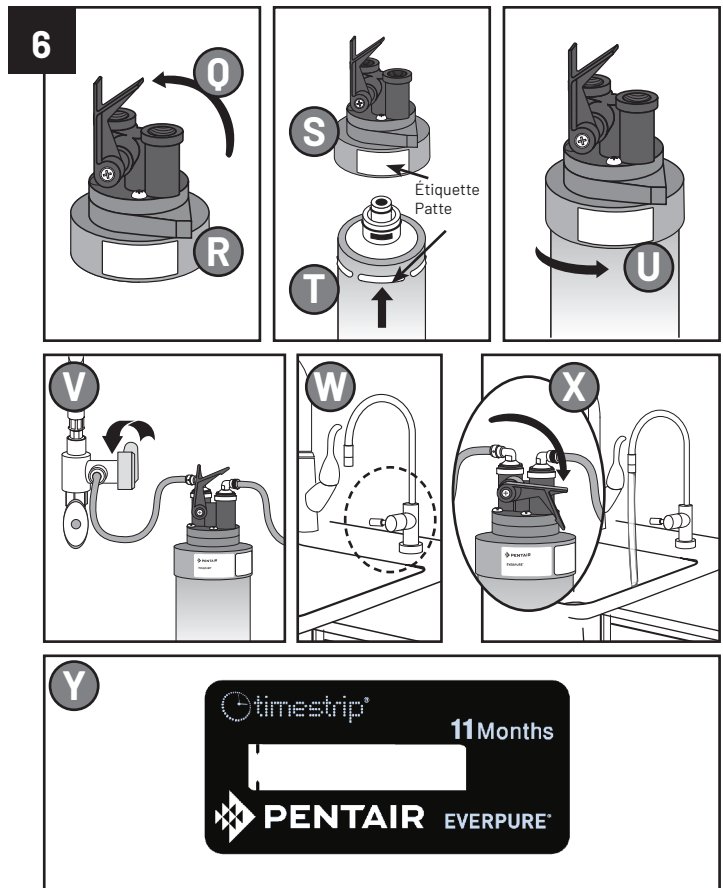
- N. Installez un robinet séparé pour l'eau potable filtrée. Suivez les instructions du fabricant.
- O. Raccordez le raccord de robinet à la partie inférieure des filets du robinet qui vient d'être installé. Il ne devrait pas être nécessaire d'utiliser du ruban Fontanero pour cette étape.
- P. Mesurez la longueur de tube nécessaire pour raccorder le coude de sortie de la tête filtrante au raccord de robinet qui vient d'être installé. Prévoyez suffisamment de longueur pour éviter les coudes brusques. Coupez le tube et insérez les deux extrémités dans les raccords.



- R. Tenez fermement la tête d'une main.
- S. Mettez la patte de la cartouche en face de l'étiquette située sur la tête de filtre.
- T. Enfoncez la cartouche filtrante en poussant vers le haut.
- U. Faites-la tourner vers la droite d'environ 1/4 tour jusqu'à ce qu'elle butte.
- V. Ouvrez le robinet d'arrêt d'eau froide et vérifiez qu'il n'y a pas de fuites jusqu'au coude d'entrée.
- W. Ouvrez le robinet.
- X. Mettez la poignée du robinet d'arrêt en position basse pour évacuer l'eau dans l'évier.

REMARQUE : Rincez les cartouches filtrantes neuves pendant un minimum de 5 minutes pour éliminer l'air et les particules de carbone libres. Au début, il se peut que l'eau apparaisse laiteuse à cause de la présence d'air dans le filtre et les tuyaux. Si l'eau reste laiteuse après une semaine, veuillez contacter le services d'assistance technique d'Everpure pour assistance (800) 942-1153.

- Y. Activez le compteur du filtre en pinçant la bulle jusqu'à sentir un changement dans la résistance et jusqu'à ce que le temporisateur de filtre soit éjecté. En quelques secondes une ligne ROUGE fine apparaîtra dans la fenêtre blanche indiquant que le Timestrip a été activé. Décollez la pellicule de protection et faites adhérer à l'emplacement désiré. Quand la fenêtre blanche est complètement remplie de ROUGE, il est temps de remplacer le produit.



CONSIGNES D'UTILISATION POUR L'H-1200

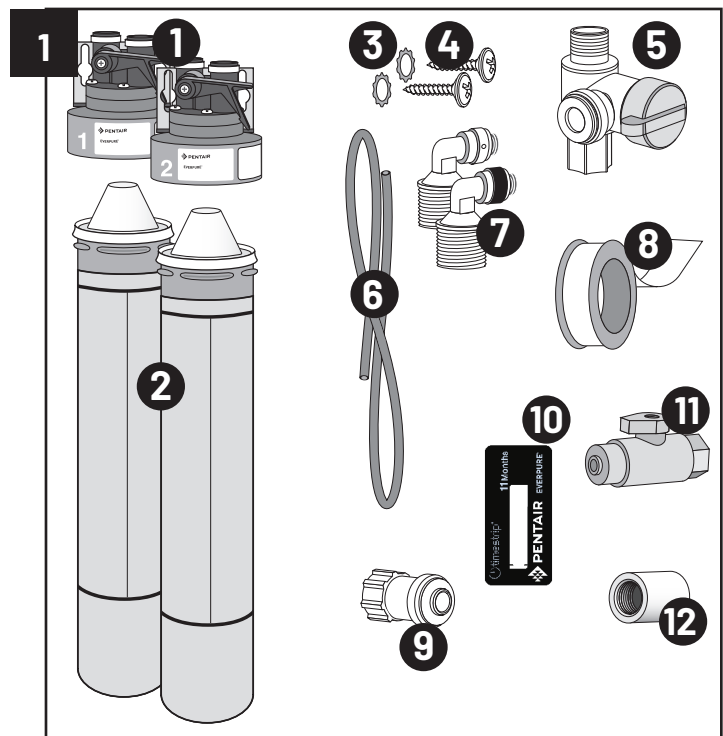
Outils nécessaires

- Tournevis #2 Phillips
- Clé
- Couteau
- Mètre à ruban
- Crayon de bois

1. OUVREZ LE CARTON ET INSPECTEZ LES PIÈCES

Pièces à installer

Key	Description	Part No.
1	QL3 Tête de filtre	N/A
2	H-1200 Cartouche filtrante (Lot de 2) (comprend 10)	EV928201
3	Rondelles de blocage (requis 2)	EV306204
4	Vis (requis 2)	EV306196
5	Adaptateur de robinet d'arrêt d'équerre	EV312120
6	Tube plastique 1/4 po (por 30.48 cm)	A0860119
7	Raccord coudé et réducteur	EV308168
8	Ruban Sparadrap	EV312119
9	Raccord de robinet	EV312135
10	Compteur du filtre Everpure	EV314160
11	Robinet d'arrêt, raccord type John Guest 3/8 po x 3/8 po filetage gaz femelle.	EV309860



2. VÉRIFIEZ L'EMPLACEMENT DE MONTAGE SOUS L'ÉVIER

Mesurez 55.8 cm par rapport au bas du placard et repérez l'emplacement de montage du dessus de la tête de filtre. Assurez-vous qu'il y a assez d'espace au-dessus de la tête pour ouvrir et fermer le robinet d'arrêt intégré et pour éviter de faire un pli dans le tuyau d'arrivée d'eau. Assurez-vous également que l'emplacement choisi permet un accès facile pour changer les cartouches dans le futur.

Dimensions	Largeur	Hauteur	Profondeur
H-1200	12.7 cm	55.8 cm	12.7 cm

REMARQUE : la tête et la cartouche doivent être montées en position verticale avec la cartouche dirigée vers le bas.

3. MONTAGE DE LA TÊTE DE FILTRE SOUS L'ÉVIER

- Identifiez la double tête filtrante et le robinet d'arrêt (EV309860).
- Appliquez du ruban Sparadrap sur les filets du côté entrée (gauche) de la tête. Vissez-y le nouveau robinet d'arrêt et serrez à la main. Répétez cette étape pour l'accouplement en inox (EV312350) du côté sortie (droit) de la tête.
- Appliquez du ruban Sparadrap sur les filets du coude de sortie (bague noire). Vissez-le sur la sortie de l'accouplement en inox. Enroulez le ruban dans le sens des filets pour assurer un bon serrage et éviter les petites fuites.
- Montez fermement la tête de filtre sur la paroi du placard à l'aide des vis et rondelles de montage fournies.

- Allez à la page 27 et suivez les instructions d'installation de base, étapes 4, 5 et 6 pour terminer l'installation du système H-1200.

REVENDEICATION & REMARQUES

L'installation doit être conforme à tous les règlements provinciaux et locaux en vigueur.

N'utilisez pas le filtre avec de l'eau qui est micro biologiquement impropre à la consommation ou de qualité inconnue sans une désinfection correcte avant ou après le système.

Essai effectué sous conditions normales de laboratoire, les performances réelles peuvent être différentes.

EPA Est. No. 002623-IL-002



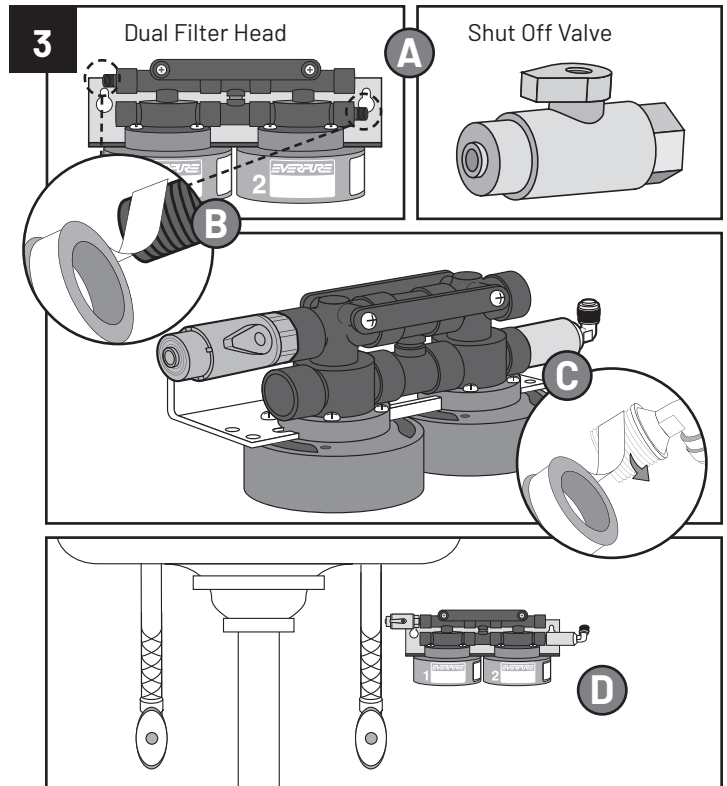
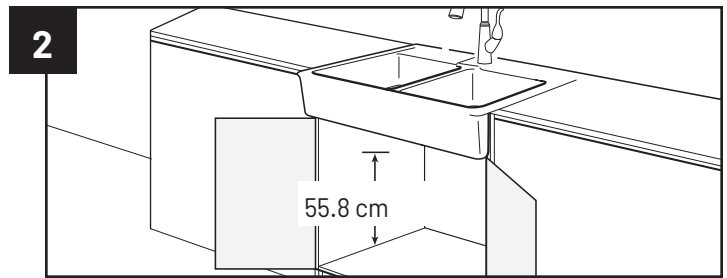
Les modèles H-54, H-300, H-104, H-300-HSD et H-1200 sont testés et certifiés par NSF International contre CSA B483.1 et NSF / ANSI 42 et 53 pour les revendications spécifiées sur les données de performance Drap.



Le H-300-NXT est testé et certifié par NSF International par rapport aux normes CSA B483.1 et NSF / ANSI 42, 53 et 401 pour les réclamations spécifiées sur la fiche technique de performance.



L'H-1200 est certifié par IAPMO R&T contre NSF/ANSI 53 pour la réduction de l'acide perfluorooctanoïque (PFOA) et du sulfonate de perfluorooctane (PFOS).



Cartouche H-104 – numéros de pièce EV9612-11 et EV9612-16

NOTICE IMPORTANTE : Lisez la présente fiche technique du produit et comparez les capacités du système à vos besoins de traitement d'eau. Il est recommandé de faire analyser l'eau d'alimentation avant d'acheter un système de traitement d'eau afin de déterminer vos besoins réels de traitement d'eau.

CARACTÉRISTIQUES

- Améliore en finesse de l'eau traitée afin d'en faire une eau de première qualité que l'on peut boire et utiliser pour cuisiner.
- Réduit le goût et l'odeur de chlore.
- Réduit la quantité d'impuretés, de rouille et d'autres particules (p. ex., fer oxydé, manganèse et sulfures).
- Certifié selon la norme NSF/ANSI 53 pour réduire les kystes comme Cryptosporidium et Giardia par des moyens mécaniques.
- Réduit les goûts et odeurs courants de moisi, de terre et de poisson.
- Réduit la quantité de plomb à un niveau moindre que le seuil d'intervention fédéral.
- Séparation mécanique des particules d'à peine 0,5 micron.

CERTIFIÉ CONFORME AUX NORMES NSF/ANSI RELATIVES À LA RÉDUCTION SANITAIRE DES SUBSTANCES INDIQUÉES*

Ce système a été mis à l'essai en regard des normes NSF/ANSI 42 et 53 pour la réduction des substances indiquées ci-dessous. La concentration des substances indiquées dans l'eau entrant dans le système a été réduite à une concentration inférieure ou égale à la limite autorisée pour l'eau sortant du système, conformément aux normes NSF/ANSI 42 et 53.

Substance	Concentration infiltrante	Concentration maximale admissible du produit dans l'eau	Exigences de réduction	Réduction minimale	Réduction moyenne
Norme 42 – Effets esthétiques					
Chlore	2,0 mg/L ± 10 %		≥ 50 %		87,8 %
Particules de classe 1, 0,5 à < 1 µm	Au moins 10 000 particules/ml		≥ 85 %		98,8 %
Norme 53 – Effets sur la santé					
Kystes	Minimum de 50 000/L		99,95 %	99,99 %	99,99 %
Plomb (pH 8,5)	0,15 mg/L ± 10 %	0,010 mg/L		99,3 %	99,3 %
Plomb (pH 6,5)	0,15 mg/L ± 10 %	0,010 mg/L		98,7 %	99,3 %

*Essais à un débit de 0,5 gal/min, à une pression de 60 lb/po², à un pH de 7.5 ± 0.5 et à une temp. de 20 ± 2.5 °C

CARACTÉRISTIQUES DE FONCTIONNEMENT

- Capacité : 3,780 L (1 000 gallons)
- Pression requise : de 0,7 à 8,6 bar (10 à 125 lb/po²), sans chocs
- Température : de 2 à 38 °C (35 à 100 °F)
- Débit : 1,9 L/min (0,5 gal./min)

NUMÉRO D'ÉTABLISSEMENT DE L'EPA 002623-IL-002

EXIGENCES GÉNÉRALES EN MATIÈRE D'INSTALLATION, D'UTILISATION ET D'ENTRETIEN

- Espace requis : 13 x 13 x 51 cm (5 x 5 x 20 po), ce qui inclut un dégagement de 6,35 cm (2 ½ po) sous le système pour permettre le remplacement de la cartouche.
- Installez le système à la verticale avec la cartouche pendant vers le bas.
- Utilisez la plus courte longueur de tuyau possible.
- Rincez la nouvelle cartouche à plein débit pendant trois minutes afin d'en chasser tout l'air.
- Remplacez les cartouches au moins une fois par année, ou lorsque leur capacité est atteinte ou que le débit ralentit trop.

NOTICES SPÉCIALES

- Les instructions d'installation, l'information faisant état des pièces disponibles et du service offert ainsi que la garantie standard sont comprises avec le produit.
- Ce système d'eau potable doit être entretenu conformément aux directives du fabricant, y compris le remplacement des cartouches filtrantes. Prix de détail suggéré : 122,99 \$
- N'utilisez pas le système avec de l'eau insalubre microbiologiquement ou de qualité inconnue sans désinfection adéquate avant ou après le système. Les systèmes homologués pour réduction de kystes peuvent être utilisés avec de l'eau désinfectée pouvant contenir des kystes filtrables.
- Les contaminants ou autres substances retirées ou réduites par ce système de traitement d'eau ne sont pas forcément présents dans votre eau.
- Assurez-vous que l'installation est conforme aux lois et aux règlements d'État et municipaux.
- Les essais ont été effectués dans des conditions de laboratoire standard; la performance réelle peut varier.
- Un produit d'absorption utilisé ne sera pas régénéré afin d'être réutilisé.
- Si un produit d'absorption est affecté par le chlore, l'alimentation en eau devrait être traitée afin d'éliminer le chlore avant d'introduire le filtre.



Système mis à l'essai et homologué par NSF International en regard des normes CSA B483.1 et NSF/ANSI 42 et 53 pour la réduction des substances indiquées dans la fiche technique du produit.

Cartouche H-54 – numéros de pièce EV9730-06, EV9252-68, EV9252-66 et EV9252-67

NOTICE IMPORTANTE : Lisez la présente fiche technique du produit et comparez les capacités du système à vos besoins de traitement d'eau. Il est recommandé de faire analyser l'eau d'alimentation avant d'acheter un système de traitement d'eau afin de déterminer vos besoins réels de traitement d'eau.

CARACTÉRISTIQUES

- Améliore en finesse de l'eau traitée afin d'en faire une eau de première qualité que l'on peut boire et utiliser pour cuisiner.
- Réduit le goût et l'odeur de chlore.
- Réduit la quantité d'impuretés, de rouille et d'autres particules (p. ex., fer oxydé, manganèse et sulfures).
- Certifié selon la norme NSF/ANSI 53 pour réduire les kystes comme *Cryptosporidium* et *Giardia* par des moyens mécaniques.
- Absorbe les goûts et odeurs courants de moisi, de terre et de poisson.
- Réduit la quantité de plomb à un niveau moindre que le seuil d'intervention fédéral de 10 parties par milliard (ppb).
- Séparation mécanique des particules d'à peine 0,5 micron.

CERTIFIÉ CONFORME AUX NORMES NSF/ANSI RELATIVES À LA RÉDUCTION SANITAIRE DES SUBSTANCES INDIQUÉES*

Ce système a été mis à l'essai en regard des normes NSF/ANSI 42 et 53 pour la réduction des substances indiquées ci-dessous. La concentration des substances indiquées dans l'eau entrant dans le système a été réduite à une concentration inférieure ou égale à la limite autorisée pour l'eau sortant du système, conformément aux normes NSF/ANSI 42 et 53.

Substance	Concentration infiltrante	Concentration maximale admissible du produit dans l'eau	Exigences de réduction	Réduction minimale	Réduction moyenne
Norme 42 – Effets esthétiques					
Chlore	2,0 mg/L ± 10 %		≥ 50 %		86,8 %
Particules de classe 1, 0,5 à < 1 µm	Au moins 10 000 particules/ml		≥ 85 %		98,8 %
Norme 53 – Effets sur la santé					
Kystes	Minimum de 50 000/L		99,95 %	99,99 %	99,99 %
Plomb (pH 8,5)	0,15 mg/L ± 10 %	0,010 mg/L		98,7 %	99,3 %
Plomb (pH 6,5)	0,15 mg/L ± 10 %	0,010 mg/L		99,3 %	99,3 %

*Essais à un débit de 0,5 gal./min, à une pression de 60 lb/po², à un pH de 7.5 ± 0.5 et à une temp. de 20 ± 2,5 °C

EXIGENCES GÉNÉRALES EN MATIÈRE D'INSTALLATION, D'UTILISATION ET D'ENTRETIEN

- Espace requis : 13 x 13 x 38 cm [5 x 5 x 15 po], ce qui inclut un dégagement de 6,35 cm (2 ½ po) sous le système pour permettre le remplacement de la cartouche.
- Installez le système à la verticale avec la cartouche pendant vers le bas.
- Utilisez la plus courte longueur de tuyau possible.
- Rincez la nouvelle cartouche à plein débit pendant trois minutes afin d'en chasser tout l'air.
- Remplacez les cartouches au moins une fois par année, ou lorsque leur capacité est atteinte ou que le débit ralentit trop.

NOTICES SPÉCIALES

- Les instructions d'installation, l'information relative à la disponibilité des pièces et du service offert ainsi que la garantie standard sont comprises avec le produit lorsqu'il est expédié.
- Ce système d'eau potable doit être entretenu conformément aux directives du fabricant, y compris le remplacement des cartouches filtrantes. Prix courant suggéré : 100,99 \$
- N'utilisez pas le système avec de l'eau insalubre microbiologiquement ou de qualité inconnue sans désinfection adéquate avant ou après le système. Les systèmes homologués pour réduction de kystes peuvent être utilisés avec de l'eau désinfectée pouvant contenir des kystes filtrables.
- Les contaminants ou autres substances retirées ou réduites par ce système de traitement d'eau ne sont pas forcément présents dans votre eau.
- Assurez-vous que l'installation est conforme aux lois et aux règlements d'État et municipaux.
- Les essais ont été effectués dans des conditions de laboratoire standard; la performance réelle peut varier.
- Un produit d'absorption utilisé ne sera pas régénéré afin d'être réutilisé.
- Si un produit d'absorption est affecté par le chlore, l'alimentation en eau devrait être traitée afin d'éliminer le chlore avant d'introduire le filtre.



Système mis à l'essai et homologué par NSF International en regard des normes CSA B483.1 et NSF/ANSI 42 et 53 pour la réduction des substances indiquées dans la fiche technique du produit.

CARACTÉRISTIQUES DE FONCTIONNEMENT

- Capacité : 2 839 L (750 gallons)
- Pression requise : de 0,7 à 8,6 bar (10 à 125 lb/po²), sans chocs
- Température : de 2 à 38 °C (de 35 à 100 °F)
- Débit : 1,9 L/min (0,5 gal./min)

NUMÉRO D'ÉTABLISSEMENT DE L'EPA 002623-IL-002

Cartouche H-300 – numéros de pièce EV9270-71 et EV9270-72

NOTICE IMPORTANTE : Lisez la présente fiche technique du produit et comparez les capacités du système à vos besoins de traitement d'eau. Il est recommandé de faire analyser l'eau d'alimentation avant d'acheter un système de traitement d'eau afin de déterminer vos besoins réels de traitement d'eau.

CARACTÉRISTIQUES

- Améliore en finesse de l'eau traitée afin d'en faire une eau de première qualité que l'on peut boire et utiliser pour cuisiner.
- Réduit le goût et l'odeur de chlore.
- Réduit la quantité d'impuretés, de rouille et d'autres particules (p. ex., fer oxydé, manganèse et sulfures).
- Certifié selon la norme NSF/ANSI 53 pour réduire les kystes comme *Cryptosporidium* et *Giardia* par des moyens mécaniques.
- Contrôle même des niveaux extrêmes de goûts et d'odeurs désagréables courants, dont les goûts et odeurs de moisi, de terre et de poisson.
- Réduit la quantité de plomb à un niveau moindre que le seuil d'intervention fédéral.
- Réduit efficacement la quantité de composés organiques volatils (COV), y compris les trihalométhanes (THM).
- Séparation mécanique des particules d'à peine 0,5 micron.

CERTIFIÉ CONFORME AUX NORMES NSF/ANSI RELATIVES À LA RÉDUCTION SANITAIRE DES SUBSTANCES INDIQUÉES*

Ce système a été mis à l'essai en regard des normes NSF/ANSI 42 et 53 pour la réduction des substances indiquées ci-dessous. La concentration des substances indiquées dans l'eau entrant dans le système a été réduite à une concentration inférieure ou égale à la limite autorisée pour l'eau sortant du système, conformément aux normes NSF/ANSI 42 et 53.

Substance	Concentration infiltrante	Concentration maximale admissible du produit dans l'eau	Exigences de réduction	Réduction minimale	Réduction moyenne
Norme 42 – Effets esthétiques					
Chlore	2,0 mg/L ± 10 %		≥ 50 %		86,8 %
Particules de classe 1, 0,5 à < 1 µm	Au moins 10 000 particules/ml		≥ 85 %		98,8 %
Norme 53 – Effets sur la santé					
Kystes	Minimum de 50 000/L		99,95 %	99,99 %	99,99 %
Plomb (pH 6,5)	0,15 mg/L ± 10 %	0,010 mg/L		99,3 %	99,3 %
Plomb (pH 8,5)	0,15 mg/L ± 10 %	0,010 mg/L		98,7 %	99,3 %
Chloroforme	0,300 mg/L	0,015 mg/L		95,8 %	98,9 %

(substitut chimique des COV)

*Essais à un débit de 0,5 gal./min, à une pression de 60 lb/po², à un pH de 7.5 ± 0.5 et à une temp. de 20 ± 2.5 °C

NUMÉRO D'ÉTABLISSEMENT DE L'EPA 002623-IL-002



Le système H-300 est mis à l'essai et homologué par NSF International en regard des normes CSA B483.1 et NSF/ANSI 42 et 53 pour la réduction des substances indiquées dans la fiche technique du produit.

NOTE : Un produit d'absorption utilisé ne sera pas régénéré afin d'être réutilisé. Si un produit d'absorption est affecté par le chlore, l'alimentation en eau devrait être traitée afin d'éliminer le chlore avant d'introduire le filtre.

CARACTÉRISTIQUES DE FONCTIONNEMENT

- Capacité : 1 135 L (300 gallons)
- Pression requise : de 0,7 à 8,6 bar (10 à 125 lb/po²), sans chocs
- Température : de 2 à 38 °C (35 à 100 °F)
- Débit : 1,9 L/min (0,5 gal./min)

Réductions indiquées dans la fiche technique pour des produits chimiques inclus par essais indirects

Substance	Concentration infiltrante (en mg/L)	Concentration maximale admissible du produit dans l'eau (en mg/L)
métachlore	0,050	0,001
atrazine	0,100	0,003
benzène	0,081	0,001
carbofuran	0,190	0,001
tétrachlorure de carbone	0,078	0,0018
chlorobenzène	0,077	0,001
chloropicrine	0,015	0,0002
2,4-D	0,110	0,0017
1,2-dibromo-3-chloropropane (DBCP)	0,052	0,00002
o-dichlorobenzène	0,080	0,001
p-dichlorobenzène	0,040	0,001
1,2-dichloroéthane	0,088	0,0048
1,1-dichloroéthylène	0,083	0,001
cis-1,2-dichloroéthylène	0,170	0,0005
trans-1,2-dichloroéthylène	0,086	0,001
1,2-dichloropropane	0,080	0,001
cis-1,3-dichloropropyène	0,079	0,001
dinoseb	0,170	0,0002
endrine	0,053	0,00059
éthylbenzène	0,088	0,001
dibromure d'éthylène (DBE)	0,044	0,00002
haloacétonitriles (HAN) :		
bromochloroacétonitrile	0,022	0,0005
dibromoacétonitrile	0,024	0,0006
dichloroacétonitrile	0,0096	0,0002
trichloroacétonitrile	0,015	0,0003
halokétones (HK) :		
1,1-dichloro-2-propanone	0,0072	0,0001
1,1,1-trichloro-2-propanone	0,0082	0,0003
heptachlor	0,025	0,00001
heptachlor époxyde	0,0107	0,0002
hexachlorobutadiène	0,044	0,001
hexachlorocyclopentadiène	0,060	0,000002
lindane	0,055	0,00001
méthoxychlore	0,050	0,0001
pentachlorophénol	0,096	0,001
simazine	0,120	0,004
styrène	0,150	0,0005
1,1,2,2-tétrachloroéthane	0,081	0,001
tétrachloroéthylène	0,081	0,001
toluène	0,078	0,001
2,4,5-TP (« silvex » aux É.-U.)	0,270	0,0016
acide tribromoacétique	0,042	0,001
1,2,4-trichlorobenzène	0,160	0,0005
1,1,1-trichloroéthane	0,084	0,0046
1,1,2-trichloroéthane	0,150	0,0005
trichloroéthylène	0,180	0,001
trihalométhanes :		
chloroforme (substitut chimique)		
bromoforme	0,310	0,015
bromodichlorométhane		
chlorodibromométhane		
xylénes [totaux]	0,070	0,001

Cartouche H-1200 - numéros de pièce Ev9282-01 et EV9282-03

NOTICE IMPORTANTE: Lisez la présente fiche technique du produit et comparez les capacités du système à vos besoins de traitement d'eau. Il est recommandé de faire analyser l'eau d'alimentation avant d'acheter un système de traitement d'eau afin de déterminer vos besoins réels de traitement d'eau.

CARACTÉRISTIQUES

- Améliore en finesse de l'eau traitée afin d'en faire une eau de première qualité que l'on peut boire et utiliser pour cuisiner.
- Certifié selon la norme NSF/ANSI 53 pour réduire les kystes comme Cryptosporidium et Giardia par des moyens mécaniques.
- IAPMO R&T contre NSF/ANSI 53 pour la réduction de l'acide perfluorooctanoïque (PFOA) et du sulfonate de perfluorooctane (PFOS).
- Système haute performance certifié pour réduire jusqu'à 97,5% de PFOA/PFOS, communément appelé "produits chimiques éternels".
- Réduit la quantité d'impuretés, de rouille et d'autres particules (p.ex., fer oxydé, manganèse et sulfures) - sur la base d'essais effectués par Everpure.
- Contrôle même des niveaux extrêmes de goûts et d'odeurs désagréables courants, dont les goûts et odeurs de moisi, de terre et de poisson.
- Réduit la quantité de plomb à un niveau moindre que le seuil d'intervention fédéral de 15 parties par milliard (ppb).
- Réduit efficacement la quantité de composés organiques volatils (COV), y compris les trihalométhanes (THM).
- Réduit efficacement la quantité de méthyl-tert-butyl-éther (MTBE).
- Séparation mécanique des particules d'une taille de 0,5 micron.

CERTIFIÉ CONFORME AUX NORMES NSF/ANSI RELATIVES À LA RÉDUCTION SANITAIRE DES SUBSTANCES INDIQUÉES*

Ce système a été mis à l'essai en regard des normes NSF/ANSI 42 et 53 pour la réduction des substances indiquées ci-dessous. La concentration des substances indiquées dans l'eau entrant dans le système a été réduite à une concentration inférieure ou égale à la limite autorisée pour l'eau sortant du système, conformément aux normes NSF/ANSI 42 et 53.

Substance	Concentration infiltrante	Concentration maximale admissible du produit dans l'eau	Exigences de réduction	Réduction minimale	Réduction moyenne
Norme 42 – Effets esthétiques					
Chlore	2,0 mg/L ± 10 %		≥ 50 %		86,8 %
Chloramines	3,0 mg/L ± 10 %	0,5 mg/L			98,3 %
Particules de classe 1, 0,5 à < 1 µm	Au moins 10 000 particules/ml		≥ 85 %		98,8 %
Norme 53 – Effets sur la santé					
Kystes	Minimum de 50 000/L		99,95 %	99,99 %	99,99 %
Plomb (pH 6,5)	0,15 mg/L ± 10 %	0,010 mg/L		99,3 %	99,3 %
Plomb (pH 8,5)	0,15 mg/L ± 10 %	0,010 mg/L		98,7 %	99,3 %
Méthyl-tert-butyl-éther	0,15 mg/L ± 20 %	0,005 mg/L		73,5 %	90,2 %
Chloroforme	0,300 mg/L	0,015 mg/L		99,8 %	99,8 %

(Substitué chimique des COV)

*Essais à un débit de 0,5 gal./min, à une pression de 60 lb/po², à un pH de 7.5 ± 0.5 et à une temp. de 20 ± 2,5 °C



Le système H-1200 est mis à l'essai et homologué par NSF International en regard des normes CSA B483.1 et NSF/ANSI 42 et 53 pour la réduction des substances indiquées dans la fiche technique du produit.

EPA Est. No. 002623-IL-002



L'H-1200 est certifié par IAPMO R&T contre NSF/ANSI 53 pour la réduction de l'acide perfluorooctanoïque (PFOA) et du sulfonate de perfluorooctane (PFOS).

CARACTÉRISTIQUES DE FONCTIONNEMENT

- Capacité: 3,785 L (1,000 gallons)
- Pression Requise: de 0,7 à 8,6 bar (10 à 125 ib/po²), sans chocs
- Température: de 2 à 38°C (35 à 100°F)
- Débit: 1.9 L/min (0.5 gal./min)

RÉDUCTIONS INDIQUÉES DANS LA FICHE TECHNIQUE POUR DES PRODUITS CHIMIQUES INCLUS PAR ESSAIS INDIRECTS

Substance	Concentration infiltrante (en mg/L)	Concentration maximale admissible du produit dans l'eau (en mg/L)
métachlore	0,050	0,001
atrazine	0,100	0,003
benzène	0,081	0,001
carbofuran	0,190	0,001
tétrachlorure de carbone	0,078	0,0018
chlorobenzène	0,077	0,001
chloropicrine	0,015	0,0002
2,4-D	0,110	0,0017
1,2-dibromo-3-chloropropane (DBCP)	0,052	0,00002
o-dichlorobenzène	0,080	0,001
p-dichlorobenzène	0,040	0,001
1,2-dichloroéthane	0,088	0,0048
1,1-dichloroéthylène	0,083	0,001
cis-1,2-dichloroéthylène	0,170	0,0005
trans-1,2-dichloroéthylène	0,086	0,001
1,2-dichloropropane	0,080	0,001
cis-1,3-dichloropropylène	0,079	0,001
dinoseb	0,170	0,0002
endrine	0,053	0,00059
éthylbenzène	0,088	0,001
dibromure d'éthylène (DBE)	0,044	0,00002
haloacétonitriles (HAN) :		
bromochloroacétonitrile	0,022	0,0005
dibromoacétonitrile	0,024	0,0006
dichloroacétonitrile	0,0096	0,0002
trichloroacétonitrile	0,015	0,0003
halokétones (HK) :		
1,1-dichloro-2-propanone	0,0072	0,0001
1,1,1-trichloro-2-propanone	0,0082	0,0003
heptachlor	0,080	0,0004
heptachlor époxyde	0,0107	0,0002
hexachlorobutadiène	0,044	0,001
hexachlorocyclopentadiène	0,060	0,000002
lindane	0,055	0,00001
méthoxychlore	0,050	0,0001
pentachlorophénol	0,096	0,001
simazine	0,120	0,004
styrène	0,150	0,0005
1,1,2,2-tétrachloroéthane	0,081	0,001
tétrachloroéthylène	0,081	0,001
toluène	0,078	0,001
2,4,5-TP (« silvex » aux É.-U.)	0,270	0,0016
acide tribromoacétique	0,042	0,001
1,2,4-trichlorobenzène	0,160	0,0005
1,1,1-trichloroéthane	0,084	0,0046
1,1,2-trichloroéthane	0,150	0,0005
trichloroéthylène	0,180	0,001
trihalométhanes :		
chloroforme (substitut chimique)		
bromoforme	0,300	0,015
bromodichlorométhane		
chlorodibromométhane		
xylènes (totaux)	0,070	0,001

NOTE: Un produit d'absorption utilisé ne sera pas régénéré afin d'être réutilisé. Si un produit d'absorption est affecté par le chlore, l'alimentation en eau devrait être traitée afin d'éliminer le chlore avant d'introduire le filtre.

Cartouche H-300-HSD – numéros de pièce EV9270-74 et EV9270-75

NOTICE IMPORTANTE : Lisez la présente fiche technique du produit et comparez les capacités du système à vos besoins de traitement d'eau. Il est recommandé de faire analyser l'eau d'alimentation avant d'acheter un système de traitement d'eau afin de déterminer vos besoins réels de traitement d'eau.

CARACTÉRISTIQUES

- Conçu pour une eau à densité en limon élevée par rapport au système H-300 standard.
- Améliore en finesse de l'eau traitée afin d'en faire une eau de première qualité que l'on peut boire et utiliser pour cuisiner.
- Réduit le goût et l'odeur de chlore.
- Réduit la quantité d'impuretés, de rouille et d'autres particules (p. ex., fer oxydé, manganèse et sulfures).
- Certifié selon la norme NSF/ANSI 53 pour réduire les kystes comme *Cryptosporidium* et *Giardia* par des moyens mécaniques.
- Contrôle même des niveaux extrêmes de goûts et d'odeurs désagréables courants, dont les goûts et odeurs de moisi, de terre et de poisson.
- Réduit la quantité de plomb à un niveau moindre que le seuil d'intervention fédéral de 15 parties par milliard (ppb).
- Réduit efficacement la quantité de composés organiques volatils (COV).
- Séparation mécanique des particules d'à peine 0,5 micron.

CERTIFIÉ CONFORME AUX NORMES NSF/ANSI RELATIVES À LA RÉDUCTION SANITAIRE DES SUBSTANCES INDIQUÉES*

Ce système a été mis à l'essai en regard des normes NSF/ANSI 42 et 53 pour la réduction des substances indiquées ci-dessous. La concentration des substances indiquées dans l'eau entrant dans le système a été réduite à une concentration inférieure ou égale à la limite autorisée pour l'eau sortant du système, conformément aux normes NSF/ANSI 42 et 53.

Substance	Concentration infiltrante	Concentration maximale admissible du produit dans l'eau	Exigences de réduction	Réduction minimale	Réduction moyenne
Norme 42 – Effets esthétiques					
Chlore	2,0 mg/L ± 10 %		≥ 50 %		86,8 %
Particules de classe 1, 0,5 à < 1 µm	Au moins 10 000 particules/ml		≥ 85 %		98,8 %
Norme 53 – Effets sur la santé					
Kystes	Minimum de 50 000/L		99,95 %	99,99 %	99,99 %
Plomb (pH 6,5)	0,15 mg/L ± 10 %	0,010 mg/L		99,3 %	99,3 %
Plomb (pH 8,5)	0,15 mg/L ± 10 %	0,010 mg/L		98,7 %	99,3 %
Chloroforme (substitut chimique des COV)	0,300 mg/L	0,015 mg/L		95,8 %	98,9 %

*Essais à un débit de 0,5 gal./min, à une pression de 60 lb/po², à un pH de 7.5 ± 0.5 et à une temp. de 20 ± 2,5 °C

NUMÉRO D'ÉTABLISSEMENT DE L'EPA 002623-IL-002



Le système H-300-HSD est mis à l'essai et homologué par NSF International en regard des normes CSA B483.1 et NSF/ANSI 42 et 53 pour la réduction des substances indiquées dans la fiche technique du produit.

NOTE : Un produit d'absorption utilisé ne sera pas régénéré afin d'être réutilisé. Si un produit d'absorption est affecté par le chlore, l'alimentation en eau devrait être traitée afin d'éliminer le chlore avant d'introduire le filtre.

CARACTÉRISTIQUES DE FONCTIONNEMENT

- Capacité : 1 135 L (300 gallons)
- Pression requise : de 0,7 à 8,6 bar (10 à 125 lb/po²), sans chocs
- Température : de 2 à 38 °C (35 à 100 °F)
- Débit : 1,9 L/min (0,5 gal./min)

Réductions indiquées dans la fiche technique pour des produits chimiques inclus par essais indirects

Substance	Concentration infiltrante (en mg/L)	Concentration maximale admissible du produit dans l'eau (en mg/L)
métachlore	0,050	0,001
atrazine	0,100	0,003
benzène	0,081	0,001
carbofuran	0,190	0,01
tétrachlorure de carbone	0,078	0,0018
chlorobenzène	0,077	0,001
chloropicrine	0,015	0,0002
2,4-D	0,110	0,0017
1,2-dibromo-3-chloropropane (DBCP)	0,052	0,00002
o-dichlorobenzène	0,080	0,001
p-dichlorobenzène	0,040	0,001
1,2-dichloroéthane	0,088	0,0048
1,1-dichloroéthylène	0,083	0,001
cis-1,2-dichloroéthylène	0,170	0,0005
trans-1,2-dichloroéthylène	0,086	0,001
1,2-dichloropropane	0,080	0,001
cis-1,3-dichloropropylène	0,079	0,001
dinoseb	0,170	0,0002
endrine	0,053	0,00059
éthylbenzène	0,088	0,001
dibromure d'éthylène (DBE)	0,044	0,00002
haloacétonitriles (HAN) : bromochloroacétonitrile dibromoacétonitrile dichloroacétonitrile trichloroacétonitrile	0,022 0,024 0,0096 0,015	0,0005 0,0006 0,0002 0,0003
halokétones (HK) : 1,1-dichloro-2-propanone 1,1,1-trichloro-2-propanone	0,0072 0,0082	0,0001 0,0003
heptachlor	0,080	0,0004
heptachlor époxyde	0,0107	0,0002
hexachlorobutadiène	0,044	0,001
hexachlorocyclopentadiène	0,060	0,000002
lindane	0,055	0,00001
méthoxychlore	0,050	0,0001
pentachlorophénol	0,096	0,001
símazine	0,120	0,004
styrène	0,150	0,0005
1,1,2,2-tétrachloroéthane	0,081	0,001
tétrachloroéthylène	0,081	0,001
toluène	0,078	0,001
2,4,5-TP (« silvex » aux É.-U.)	0,270	0,0016
acide tribromoacétique	0,042	0,001
1,2,4-trichlorobenzène	0,160	0,0005
1,1,1-trichloroéthane	0,084	0,0046
1,1,2-trichloroéthane	0,050	0,0005
trichloroéthylène	0,180	0,001
trihalométhanes : chloroforme (substitut chimique) bromoforme bromodichlorométhane chlorodibromométhane	0,310	0,015
xylènes (totaux)	0,070	0,001

Cartouche H-300-NXT – numéros de pièce EV927441 et EV927446

NOTICE IMPORTANTE : Lisez la présente fiche technique de produit Everpure et comparez les capacités du système à vos besoins de traitement d'eau. Il est recommandé de faire analyser l'eau d'alimentation avant d'acheter un système de traitement d'eau afin de déterminer vos besoins réels de traitement d'eau.

CARACTÉRISTIQUES

- Améliore en finesse de l'eau traitée afin d'en faire une eau de première qualité que l'on peut boire et utiliser pour cuisiner.
- Réduit le goût et l'odeur de chlore.
- Réduit la quantité d'impuretés, de rouille et d'autres particules (p. ex., fer oxydé, manganèse et sulfures) – sur la base d'essais effectués par Pentair.
- Certifié selon la norme NSF/ANSI 53 pour réduire les kystes comme *Cryptosporidium* et *Giardia* par des moyens mécaniques.
- Contrôle même des niveaux extrêmes de goûts et d'odeurs désagréables courants, dont les goûts et odeurs de moisi, de terre et de poisson.
- Réduit la quantité de plomb.
- Réduit efficacement la quantité de composés organiques volatils (COV).
- Séparation mécanique des particules d'à peine 0,5 micron.
- Certifié selon norme NSF/ANSI 401 relative à la réduction des contaminants imprévus et des nouveaux composés indiqués dans la fiche technique du produit.

CERTIFIÉ CONFORME AUX NORMES NSF/ANSI RELATIVES À LA RÉDUCTION SANITAIRE DES SUBSTANCES INDIQUÉES†

Ce système a été mis à l'essai en regard des normes NSF/ANSI 42, 53 et 401 pour la réduction des substances indiquées ci-dessous. La concentration des substances indiquées dans l'eau entrant dans le système a été réduite à une concentration inférieure ou égale à la limite autorisée pour l'eau sortant du système, conformément à aux normes NSF/ANSI 42, 53 et 401.

Substance	Concentration infiltrante	Concentration maximale admissible du produit dans l'eau	Exigences de réduction	Réduction minimale	Réduction moyenne
Norme 42 – Effets esthétiques					
Chlore	2,0 mg/L ± 10 %		≥ 50 %		86,8 %
Particules de classe 1, 0,5 à < 1 µm	A moins 10 000 particules/ml		≥ 85 %		98,8 %
Norme 53 – Effets sur la santé					
Kystes	Minimum de 50 000/L		99,95 %	99,99 %	99,99 %
Plomb (pH 6,5)	0,15 mg/L ± 10 %	0,010 mg/L		99,3 %	> 99,3 %
Plomb (pH 8,5)	0,15 mg/L ± 10 %	0,010 mg/L		98,7 %	99,3 %
Chloroforme	0,300 mg/L	0,015 mg/L		95,8 %	98,9 %

(substitut chimique des COV)

*Essais à un débit de 0,5 gal./min, à une pression de 60 lb/po², à un pH de 7,5 ± 0,5 et à une temp. de 20 ± 2,5 °C

Norme 401 – Nouveaux contaminants†

Substance	Concentration infiltrante	Concentration maximale admissible du produit dans l'eau	Exigences de réduction	Réduction minimale	Réduction moyenne
Phénytoïne	200 ng/L ± 20 %	0,00030 mg/L			> 96,3 %
Ibuprofène	400 ng/L ± 20 %	0,00060 mg/L			> 95,8 %
Naxoprène	140 ng/L ± 20 %	0,00020 mg/L			> 96,8 %
Estrone (ou œstrone)	140 ng/L ± 20 %	0,00020 mg/L			> 97,2 %
Bisphénol A (BPA)	2 000 ng/L ± 20 %	0,000300 mg/L			> 99,2 %
Nonylphénol	1 400 ng/L ± 20 %	0,000200 mg/L			> 97,1 %

†Les substances faisant l'objet d'une certification selon la norme NSF/ANSI 401 sont considérées comme étant des « contaminants imprévus » et des « nouveaux composés ».

Les contaminants imprévus sont des contaminants détectés à l'état de traces dans les réseaux de distribution d'eau potable. Ces composés, bien qu'ils ne soient présents qu'à l'état de traces, peuvent nuire à la perception et à l'acceptation par le public de la qualité de l'eau potable.

NOTE : Un produit d'absorption utilisé ne sera pas régénéré afin d'être réutilisé. Si un produit d'absorption est affecté par le chlore, l'alimentation en eau devrait être traitée afin d'éliminer le chlore avant d'introduire le filtre.

CARACTÉRISTIQUES DE FONCTIONNEMENT

- Capacité : 1 136 L (300 gallons)
- Pression requise : de 0,7 à 8,6 bars (10 à 125 lb/po²), sans chocs
- Température : de 2 à 38 °C (35 à 100 °F)
- Débit : 1,9 L/min (0,5 gal./min)

Réductions indiquées dans la fiche technique pour des produits chimiques inclus par essais indirects

Substance	Concentration infiltrante (en mg/L)	Concentration maximale admissible du produit dans l'eau (en mg/L)
métachlore	0,050	0,001
atrazine	0,100	0,003
benzène	0,081	0,001
carbofuran	0,190	0,001
tétrachlorure de carbone	0,078	0,0018
chlorobenzène	0,077	0,001
chloropicrine	0,015	0,0002
2,4-D	0,110	0,0017
1,2-dibromo-3-chloropropane [DBCP]	0,052	0,00002
o-dichlorobenzène	0,080	0,001
p-dichlorobenzène	0,040	0,001
1,2-dichloroéthane	0,088	0,0048
1,1-dichloroéthylène	0,083	0,001
cis-1,2-dichloroéthylène	0,170	0,0005
trans-1,2-dichloroéthylène	0,086	0,001
1,2-dichloropropane	0,080	0,001
cis-1,3-dichloropropylène	0,079	0,001
dinoseb	0,170	0,0002
endrine	0,053	0,00059
éthylbenzène	0,088	0,001
dibromure d'éthylène [DBE]	0,044	0,00002
haloacétonitriles (HAN) :		
bromochloroacétonitrile	0,022	0,0005
dibromoacétonitrile	0,024	0,0006
dichloroacétonitrile	0,0096	0,0002
trichloroacétonitrile	0,015	0,0003
halokétones (HK) :		
1,1-dichloro-2-propanone	0,0072	0,0001
1,1,1-trichloro-2-propanone	0,0082	0,0003
heptachlor	0,080	0,0004
heptachlor époxyde	0,0107	0,0002
hexachlorobutadiène	0,044	0,001
hexachlorocyclopentadiène	0,060	0,000002
lindane	0,055	0,00001
méthoxychlore	0,050	0,0001
pentachlorophénol	0,096	0,001
simazine	0,120	0,004
styrène	0,150	0,0005
1,1,1,2-tétrachloroéthane	0,081	0,001
tétrachloroéthylène	0,081	0,001
toluène	0,078	0,001
2,4,5-TP (« silvex » aux É.-U.)	0,270	0,0016
acide tribromoacétique	0,042	0,001
1,2,4-trichlorobenzène	0,160	0,0005
1,1,1-trichloroéthane	0,084	0,0046
1,1,2-trichloroéthane	0,150	0,0005
trichloroéthylène	0,180	0,001
trihalométhanes :		
chloroforme (substitut chimique)		
bromoforme	0,300	0,015
bromodichlorométhane		
chlorodibromométhane		
xylènes (totaux)	0,070	0,001



Le système H-300-NXT est mis à l'essai et homologué par NSF International en regard des normes CSA B483.1 et NSF/ANSI 42, 53 et 401 pour la réduction des substances indiquées dans la fiche technique du produit.

NUMÉRO D'ÉTABLISSEMENT DE L'EPA 002623-IL-002

For Pentair Everpure Product Warranties visit: }
Pentair Everpure para las gasantías de los productos visite: } pentair.com/assets/residential-filtration-warranty
Pour Pentair Everpure garanties produit visitez le site: }



13845 BISHOPS DR., SUITE 200, BROOKFIELD, WI 53005 U.S.A.
EVERPURE.COM | CUSTOMER SERVICE: 800.279.9404 | tech-support@pentair.com | pentair.com
©2020 Pentair Residential Filtration, LLC. All rights reserved.

All indicated Pentair trademarks and logos are property of Pentair. Third party registered and unregistered trademarks and logos are the property of their respective owners.
Todas las marcas y logos de Pentair son propiedad de Pentair. Las marcas y logos registrados y no registrados de terceros son propiedad de sus respectivos propietarios.
Toutes les marques et logos Pentair indiqués sont la propriété de Pentair. Toutes les autres marques commerciales et déposées et tous les autres logos sont la propriété de leurs détenteurs respectifs.

EV307043 REV AI OC22