

12" BUILT-IN COMBI-COOKTOP

## Domino Series

Models: EEG30101, EIG30102

# FOTILE

A BREATH OF FRESH ENGINEERING®



## Features & Benefits



### Easy to Control

- Circle Touch is easy to adjust Heat Output & set up Timer.
- Quick start Boost and Warm function.



### Dual Ring Control

- Get rapid heat from powerful 8.3" Dual Ring 2400W\* element.
- Max temperature reached 1004 °F for stir fry.

\*Induction cooktop 3000W maximum output



### SCHOTT Ceran Glass

- CERAN® cooktops are not only made from sustainable natural materials but also withstand high temperature differences, as well as thermal shocks.

Actual color may vary. Design, specifications and color availability are subject to change without notice. Non-metric weights and measurements are approximate. ©2023 FOTILE America LLC.

6 Campus Dr, Suite 210, Parsippany, NJ 07054 Tel: +1 (888) 315 - 0366 Web: us.fotileglobal.com

FOTILE is a registered trademark of FOTILE Group

12" BUILT-IN COMBI-COOKTOP

## Domino Series

Models: EEG30101, EIG30102

# FOTILE

A BREATH OF FRESH ENGINEERING®



Model	EIG30102(Induction)	EEG30101(Ceramic)
Certification	ETL, FCC	ETL, FCC
Product Dimensions(WxDxH)(inch)	12 5/8 x 17 7/8 x 2 3/4	12 5/8 x 17 7/8 x 2 3/4
Cutout Dimensions(WxD)(inch)	11 13/16 x 15 3/4	11 13/16 x 15 3/4
Control Type	Circle Touch	Circle Touch
Heating Level	9 level, Keep Warm, Boost	9 level, Keep Warm
No. of Burner	1	1
Panel Material	German SCHOTT Ceramic Glass	German SCHOTT Ceramic Glass
Color	Black	Black
Heating Zone Size (inch)	7.5	8.3
Wattage (W)	100-3000W	120-2400W
Power Supply	120V/60Hz 15A	120V/60Hz 15A
Power Cord	Included	Included
Dual Element Zone	N	Y
Residual Heat Indication <small> Lorem ipsum</small>	Y	Y
Child Lock	Y	Y
Overheat Protection	N	Y
Residual Heat Indication	Y	/
Timer	Y	Y
Net Weight(lb)	13.2	10.6
Gross Weight(lb)	16.1	13.7
Packing-Box Size (WxDxH)(inch)	21 1/2 x 15 3/8 x 7 15/16	21 1/2 x 15 3/8 x 7 15/16
Warranty	1-year warranty	1-year warranty

12" BUILT-IN COMBI-COOKTOP

## Domino Series

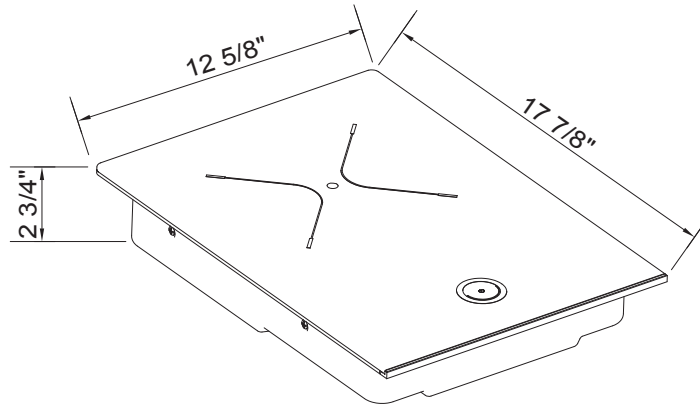
Models: EEG30101, EIG30102

# FOTILE

A BREATH OF FRESH ENGINEERING®

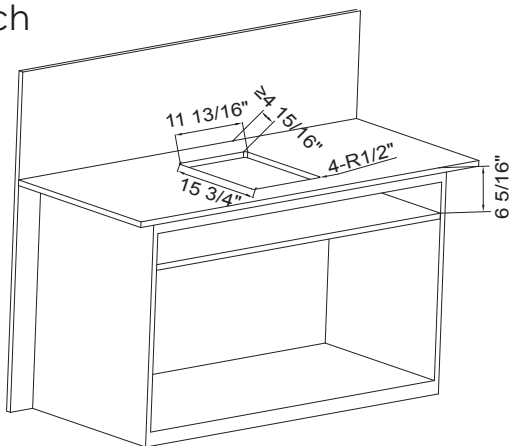
## Product Dimensions

Unit:inch

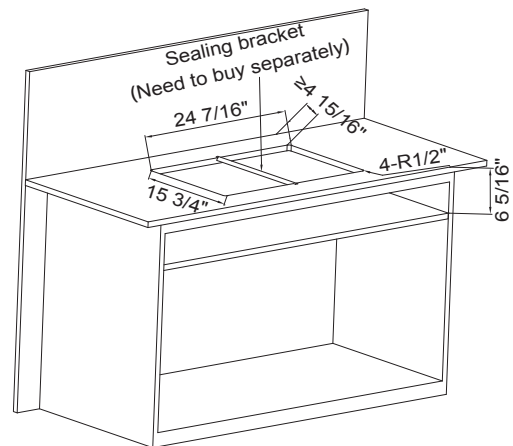


## Product Information

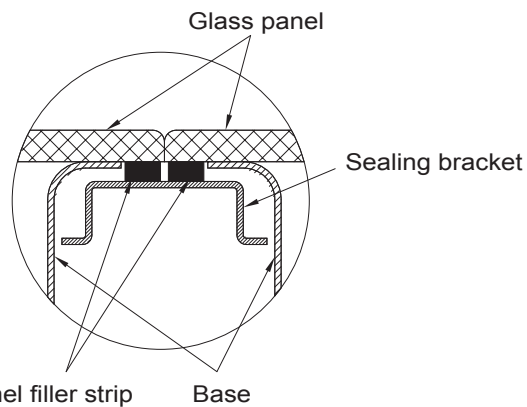
Unit:inch



Single set installation



Two sets installation



Schematic Diagram of Installation Position of Sealing Bracket