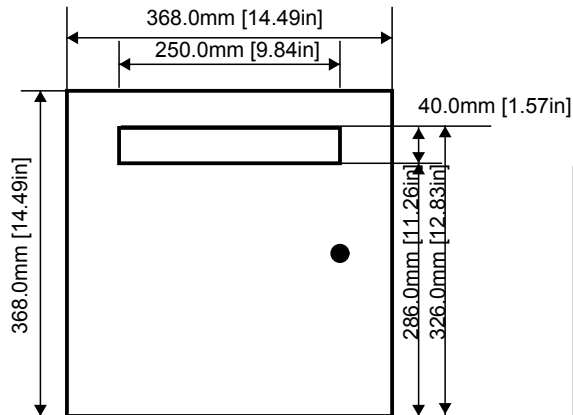
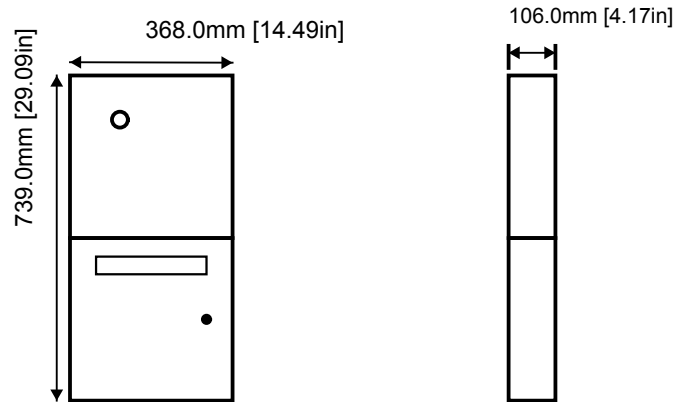


Representation of the outer dimensions (See the details in visualization)



### Technical data:

1 x Nameplate configuration DBI-51643032  
1 x Fence mailbox with covers  
Letterbox flap without nameplate. Flush with front panel.

Stainless steel V4A (salt-water resistant), brushed

This system is an individual production according to customer specifications. The legal right of withdrawal therefore does not exist according to § 312 g Abs. 2 Nr. 1 BGB. Since the automated production process is started immediately after receipt of the order, a cancellation, a return or exchange after placing the order is not possible.

Date: 2023-12-05  
Time: 00:56:49 CET  
Project ID: DBL-67051696



Bird Home Automation GmbH  
Uhlandstraße 165  
D-10719 Berlin, Germany  
Confidential