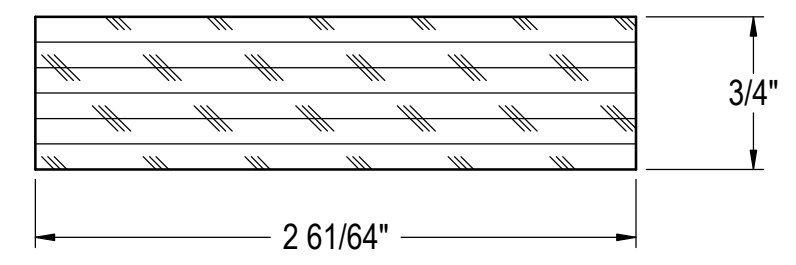


IF ADDING LOCKS,
SEE SHEET 8 FOR
LOCK DETAILS



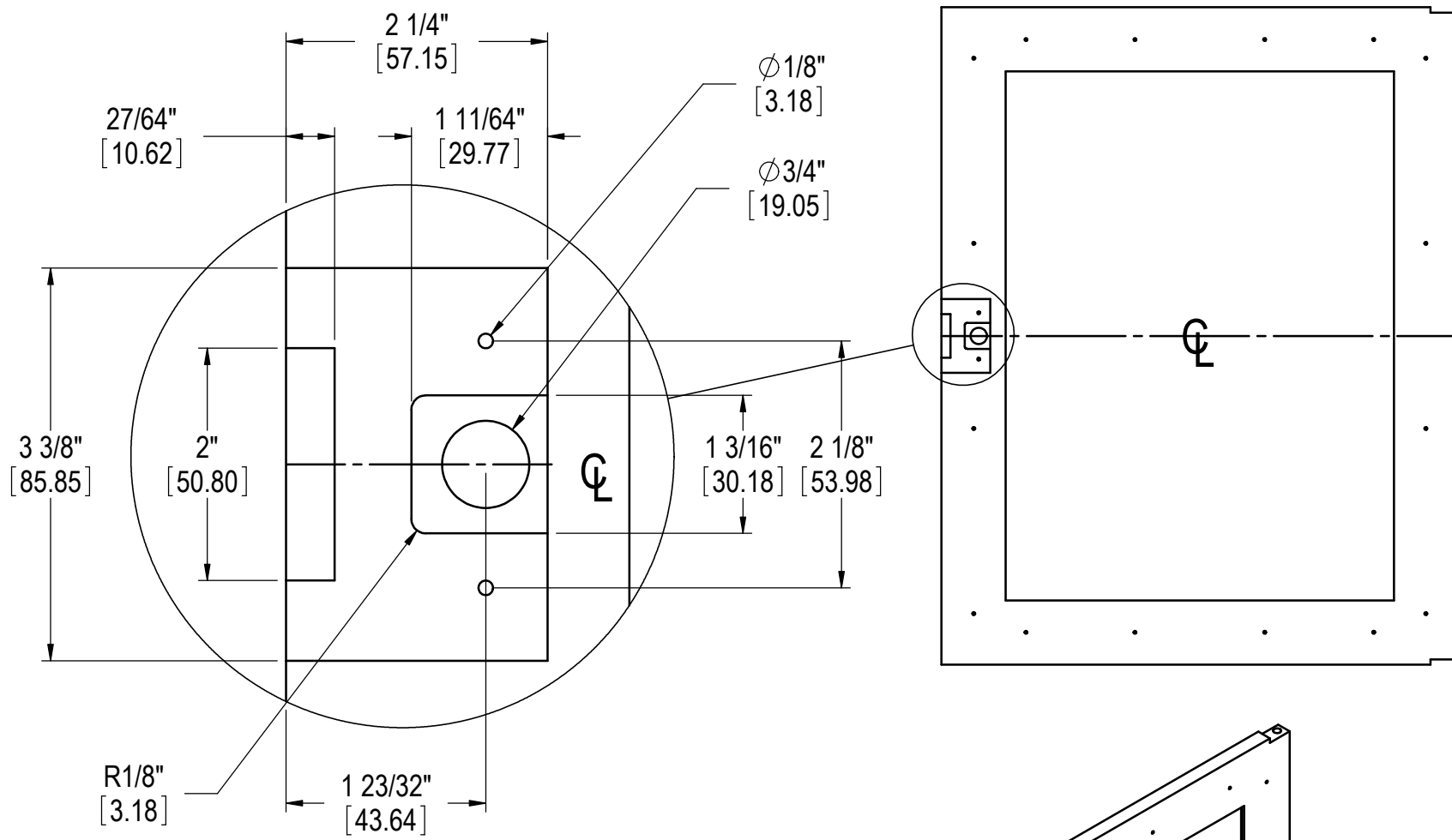
**NOTE: VALID FOR ANY ORDERS
ENTER ON OR AFTER JAN. 1, 2016**

ADDED DUAL DIMENSIONS IN 68135A-3		
B	06/07/2017	TEC
RELEASE FOR PRODUCTION		
A	11/10/2015	JMP
REVISIONS		

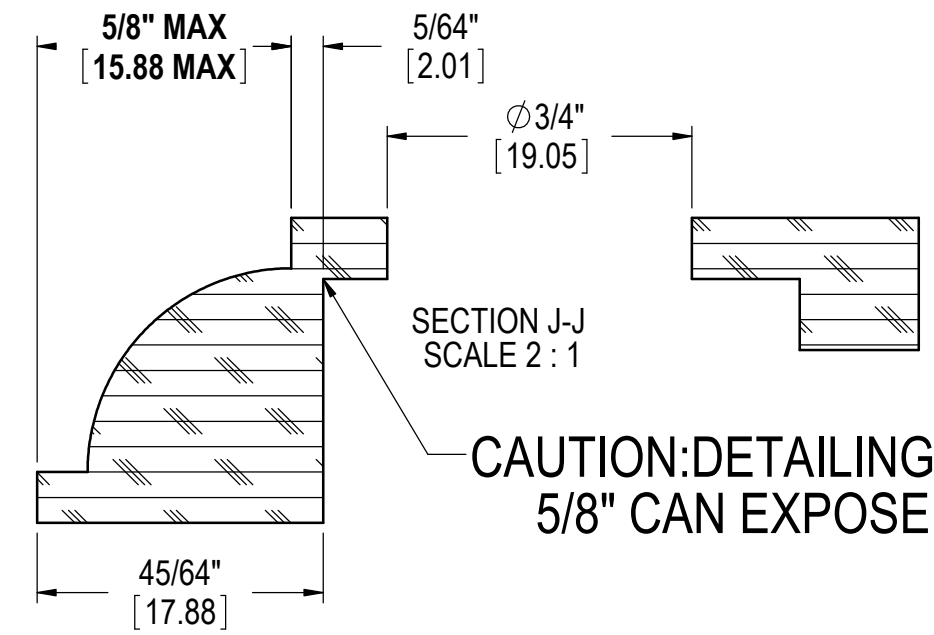
MATERIAL: WOOD	SIGNATURES DESIGNED JMP DRAWN JMP	DATE 11/10/2015 11/10/2015
QTY.:	UNLESS OTHERWISE SPECIFIED: DIMENSIONS ARE IN INCHES TOLERANCES: X = ±.1, XX = ±.03, XXX = ±.015, ANGULAR: ±1.5°, FRACTIONS: ±1/64 BREAK SHARP EDGES - .015 X 45° RADIUS SHARP FILLETS - .015 TO .031 HOLES: Ø.0135 THRU Ø.125: ±.004 Ø.1260 THRU Ø.250: ±.005 Ø.2510 THRU Ø.500: ±.006 Ø.5010 THRU Ø.750: ±.008 Ø.7510 THRU Ø.1.000: ±.010 Ø.1.001 & UP: ±.012	
FINISH: CUSTOM		

Perlick Corporation Milwaukee, Wisconsin		
TITLE: GLASS DOOR WOOD OVERLAY RESIDENTIAL ADA DOOR		
REFERENCE:	PART NO.	DWG NO.
	68135A-5	68135A
PURCHASE REC.:	SCALE = 1:5	SHEET 5 OF 9

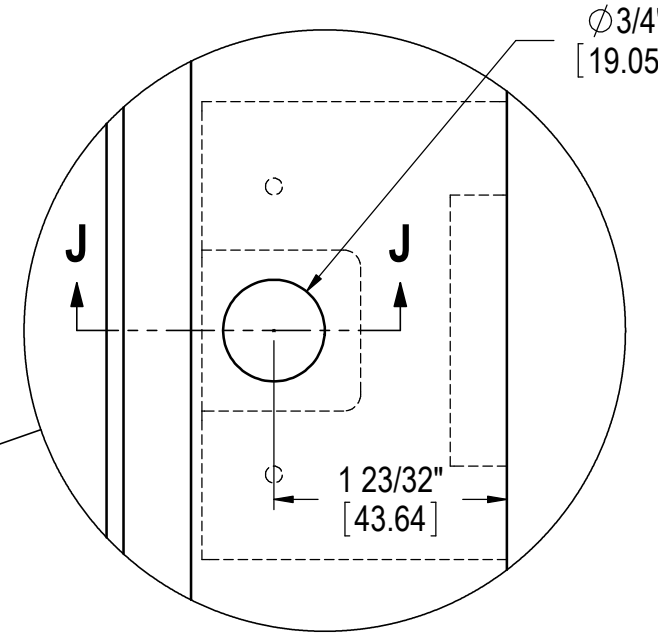
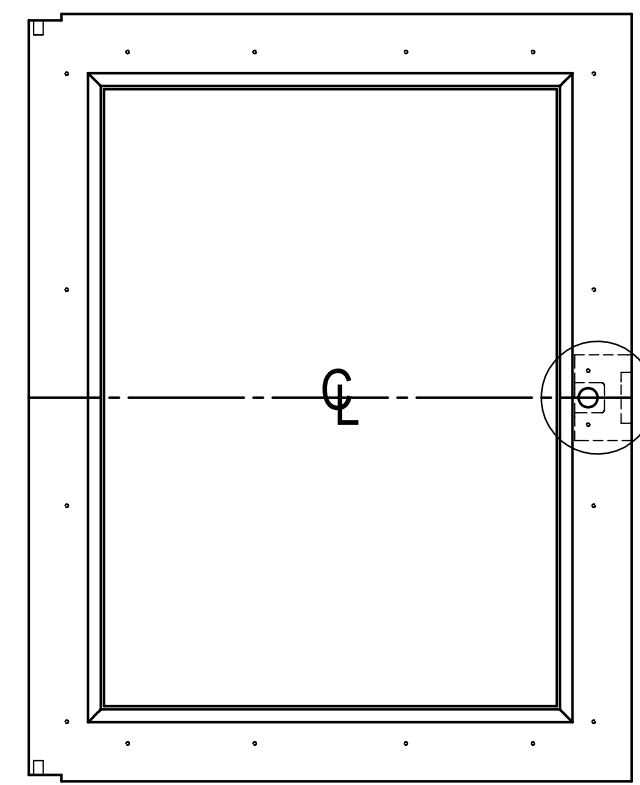
THIS DOCUMENT / PUBLICATION / SOFTWARE / DRAWING CONTAINS PROPRIETARY INFORMATION WHICH IS THE PROPERTY OF THE PERLICK CORPORATION. IT MAY NOT BE REPRODUCED OR TRANSMITTED IN ANY FORM, ELECTRONIC OR MECHANICAL, INCLUDING PHOTOCOPYING, RECORDING, OR USED IN ANY INFORMATION STORAGE, TRANSMISSION, OR RETRIEVAL SYSTEM, WITHOUT WRITTEN PERMISSION FROM THE PERLICK CORPORATION. COPYRIGHT 2001 PERLICK CORPORATION. ALL RIGHTS RESERVED.



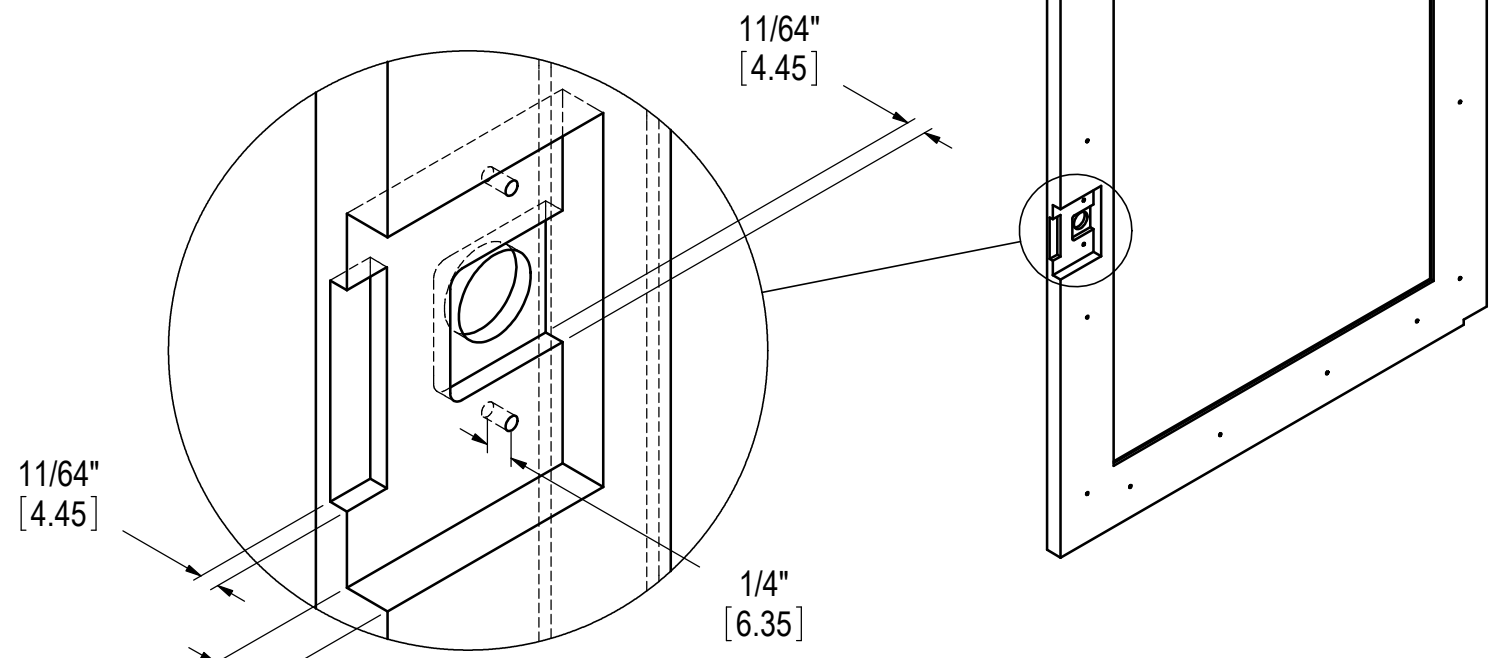
DETAIL C
SCALE 1 : 1.5



CAUTION:DETAILING EXCEEDING
5/8" CAN EXPOSE LOCK HOLE.



DETAIL H
SCALE 1 : 1.5



DETAIL E
SCALE 1 : 1.5

**NOTE: VALID FOR ANY ORDERS
ENTER ON OR AFTER JAN. 1, 2016**

ADDED DUAL DIMENSIONS IN 68135A-3		
B	06/07/2017	TEC
RELEASE FOR PRODUCTION		
A	11/10/2015	JMP
REVISIONS		

MATERIAL: WOOD - CUSTOMER DISCRETION	SIGNATURES	DATE	Perlick Corporation Milwaukee, Wisconsin
	DESIGNED JMP	11/10/2015	
QTY.:	DRAWN JMP	11/10/2015	TITLE: WOOD OVERLAY, GLASS DOOR HP, HC, & BACK BAR DOORS w/LOCKS
	UNLESS OTHERWISE SPECIFIED: DIMENSIONS ARE IN INCHES TOLERANCES: X = ±.1, XX = ±.03, XXX = ±.015, ANGULAR: ±1.5°, FRACTIONS: ±1/64 BREAK SHARP EDGES - .015 X 45° RADIUS SHARP FILLETS - .015 TO .031 HOLES: Ø .0135 THRU Ø .125: ±.004 Ø .1260 THRU Ø .250: ±.005 Ø .2510 THRU Ø .500: ±.006 Ø .5010 THRU Ø .750: ±.008 Ø .7510 THRU Ø 1.000: ±.010 Ø 1.001 & UP: ±.012		REFERENCE:
FINISH: CUSTOM			PART NO.
			DWG NO. 68135A
		PURCHASE REC.:	SCALE = 1:8
		SHEET 9 OF 9	

THIS DOCUMENT / PUBLICATION / SOFTWARE / DRAWING CONTAINS PROPRIETARY INFORMATION WHICH IS THE PROPERTY OF THE PERLICK CORPORATION. IT MAY NOT BE REPRODUCED OR TRANSMITTED IN ANY FORM, ELECTRONIC OR MECHANICAL, INCLUDING PHOTOCOPYING, RECORDING, OR USED IN ANY INFORMATION STORAGE, TRANSMISSION, OR RETRIEVAL SYSTEM, WITHOUT WRITTEN PERMISSION FROM THE PERLICK CORPORATION. COPYRIGHT 2001 PERLICK CORPORATION. ALL RIGHTS RESERVED.