



**24" C-SERIES**  
*Beverage Dispenser*



**eco friendly**  
R600a Refrigerant



JOB	
AREA	
ITEM NO.	
MODEL NO.	



Single Faucet Indoor



Two Faucet Outdoor



630SS Forward Sealing Beer Faucet

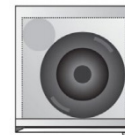
MODELS	DESCRIPTION
HC24TB-4-1L/R-1	Indoor C-Series Beverage Dispenser Solid Stainless Steel Door 1 Faucet
HC24TB-4-2L/R-1	Indoor C-Series Beverage Dispenser Solid Panel Ready Door 1 Faucet
HC24TB-4-1L/R-2	Indoor C-Series Beverage Dispenser Solid Stainless Steel Door 2 Faucets
HC24TB-4-2L/R-2	Indoor C-Series Beverage Dispenser Solid Panel Ready Door 2 Faucets
HC24TO-4-1L/R-1	Outdoor C-Series Beverage Dispenser Solid Stainless Steel Door 1 Faucet
HC24TO-4-2L/R-1	Outdoor C-Series Beverage Dispenser Solid Panel Ready Door 1 Faucet
HC24TO-4-1L/R-2	Outdoor C-Series Beverage Dispenser Solid Stainless Steel Door 2 Faucets
HC24TO-4-2L/R-2	Outdoor C-Series Beverage Dispenser Solid Panel Ready Door 2 Faucets

**KEY PRODUCT FEATURES AND BENEFITS**

- 800 BTU/hr capacity delivers commercial grade cooling performance
- Variable speed compressor minimizes sound; up to 30% quieter than competitors
- Forced air refrigeration technology ensures consistent temperature throughout entire keg maintaining flavor better than other brands
- Commercial-grade all stainless steel interior provides superior durability and easy cleaning

**Quick Features:**

- Industry's best full 6 year warranty for owner ease of mind
- Available with stainless steel or panel ready door to match your design style
- Outdoor models include a full stainless steel exterior; indoor models feature a black vinyl exterior for built in applications
- Audible door alarm warns user if door is held open
- Selectable blue or white LED lighting
- R600a Natural Refrigerant offers maximum energy efficiency with zero ozone depletion potential
- Accommodates two (2) 1/6 barrels or one (1) 1/4 slim or standard barrel



One 1/4 barrel (standard or slim)



Two 1/6 barrel



**24" C-SERIES**  
*Beverage Dispenser*

MODEL NUMBERS		HC24TB	HC24TO
MODEL DESCRIPTION		24" Indoor Beverage Dispenser	24" Outdoor Beverage Dispenser
ATTRIBUTES			
Perlick Anti-Condensation System		NO	NO
Energy Star Certified		YES	YES
OVERALL DIMENSIONS	Width - in. (mm)	23-7/8" (606 mm.)	23-7/8" (606 mm.)
	Depth - in. (mm)	24" (610 mm.)	24" (610 mm.)
	Height - in. (mm)	34-1/4" (870 mm.)	34-1/4" (870 mm.)
OPENING DIMENSIONS	Width - in. (mm)	24" (610 mm.)	24" (610 mm.)
	Depth - in. (mm)	24-7/8" (632 mm.)	24-7/8" (632 mm.)
	Height - in. (mm)	34-1/2" (876 mm.)	34-1/2" (876 mm.)
INTERNAL VOLUME Net. Cu. Ft.		5.2 cu. ft.	5.2 cu. ft.
SHIPPING WEIGHT Lbs. (kg.)		222 lbs (100.7 kg.)	222 lbs (100.7 kg.)
ELECTRICAL SPECIFICATIONS	Electrical Supply	115 VAC/60 Hz/1 Ph	115 VAC/60 Hz/1 Ph
	Running Load Amps	2.2 amps	2.2 amps
	Electrical Connection	Cord connected	Cord connected
	Cord Plug Type	NEMA 3 Prong 5-15P	NEMA 3 Prong 5-15P
	Cord Length	6'	6'
	Defrost Initiation	Automatic	Automatic
	Defrost Type	Off cycle	Off cycle
	Thermostat	Digital	Digital
REFRIGERATION SPECIFICATIONS	Refrigerant	R600a (50g)	R600a (50g)
	Expansion Device	Capillary Tube	Capillary Tube
	Temperature Settings F°(C°)	33° (0.5°) - 48° (8.8°) <b>Factory Set Point 36° (2.2°)</b>	33° (0.5°) - 48° (8.8°) <b>Factory Set Point 36° (2.2°)</b>
	Heat Rejection (at 75°F)	450 BTU/hr	450 BTU/hr
	Pull Down Capacity	800 BTU/hr	800 BTU/hr
	Front Vented	Yes	Yes
PLUMBING		None Required	None Required

*Installation Notes: To achieve 24" install depth, place electrical connection adjacent to the installation cavity.*

**ACCESSORIES**

MODEL NOS.	DESCRIPTION
(L)	Factory Installed Lock
66736	Caster Kit for HP24/HC24/HA24 models
63797	Beer Dispenser Cleaning Kit
40030S	Keg Coupler, Lo-Boy "S" Series
308-40C	Faucet Lock for C-Series 630SS Beer Faucets
BLC4/32	Beer Dispenser Sanitizer (4 oz. or 32 oz.)

Perlick accessories are available for purchase through an authorized Perlick dealer. For a full list of accessories and to find a dealer near you, visit [perlick.com](http://perlick.com).

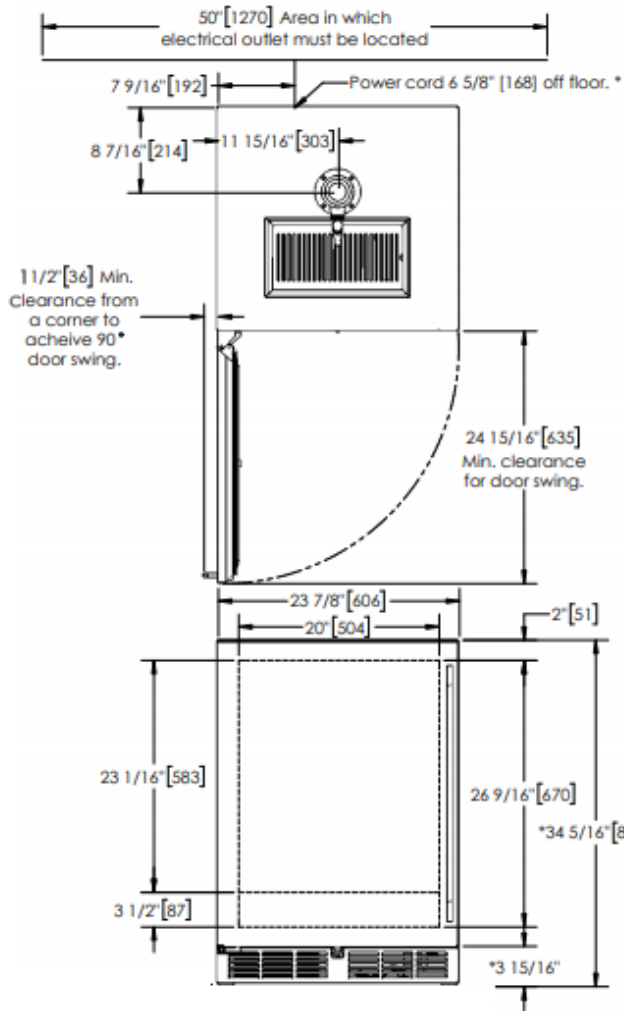


**24" C-SERIES**  
*Beverage Dispenser*

CUSTOMER MODEL NUMBER	REGULATORY MODEL NUMBER	Hinge Side	Lock
HC24TB-4-1L-1	HC24TB4C-B0-SLS0T	Left	No
HC24TB-4-1R-1	HC24TB4C-B0-SRS0T	Right	No
HC24TB-4-2L-1	HC24TB4C-B0-PL00T	Left	No
HC24TB-4-2R-1	HC24TB4C-B0-PR00T	Right	No
HC24TB-4-1L-2	HC24TB4C-C0-SLS0T	Left	No
HC24TB-4-1R-2	HC24TB4C-C0-SRS0T	Right	No
HC24TB-4-2L-2	HC24TB4C-C0-PL00T	Left	No
HC24TB-4-2R-2	HC24TB4C-C0-PR00T	Right	No
HC24TB-4-1LL-1	HC24TB4C-B0-SLSLT	Left	Yes
HC24TB-4-1RL-1	HC24TB4C-B0-SRSLT	Right	Yes
HC24TB-4-2LL-1	HC24TB4C-B0-PL0LT	Left	Yes
HC24TB-4-2RL-1	HC24TB4C-B0-PR0LT	Right	Yes
HC24TB-4-1LL-2	HC24TB4C-C0-SLSLT	Left	Yes
HC24TB-4-1RL-2	HC24TB4C-C0-SRSLT	Right	Yes
HC24TB-4-2LL-2	HC24TB4C-C0-PL0LT	Left	Yes
HC24TB-4-2RL-2	HC24TB4C-C0-PR0LT	Right	Yes
HC24TO-4-1L-1	HC24TO4C-B0-SLS0T	Left	No
HC24TO-4-1R-1	HC24TO4C-B0-SRS0T	Right	No
HC24TO-4-2L-1	HC24TO4C-B0-PL00T	Left	No
HC24TO-4-2R-1	HC24TO4C-B0-PR00T	Right	No
HC24TO-4-1L-2	HC24TO4C-C0-SLS0T	Left	No
HC24TO-4-1R-2	HC24TO4C-C0-SRS0T	Right	No
HC24TO-4-2L-2	HC24TO4C-C0-PL00T	Left	No
HC24TO-4-2R-2	HC24TO4C-C0-PR00T	Right	No
HC24TO-4-1LL-1	HC24TO4C-B0-SLSLT	Left	Yes
HC24TO-4-1RL-1	HC24TO4C-B0-SRSLT	Right	Yes
HC24TO-4-2LL-1	HC24TO4C-B0-PL0LT	Left	Yes
HC24TO-4-2RL-1	HC24TO4C-B0-PR0LT	Right	Yes
HC24TO-4-1LL-2	HC24TO4C-C0-SLSLT	Left	Yes
HC24TO-4-1RL-2	HC24TO4C-C0-SRSLT	Right	Yes
HC24TO-4-2LL-2	HC24TO4C-C0-PL0LT	Left	Yes
HC24TO-4-2RL-2	HC24TO4C-C0-PR0LT	Right	Yes



**24" C-SERIES**  
*Beverage Dispenser*



\* - Leg leveler can add 3/4" [19] to these dimensions when fully extended.

