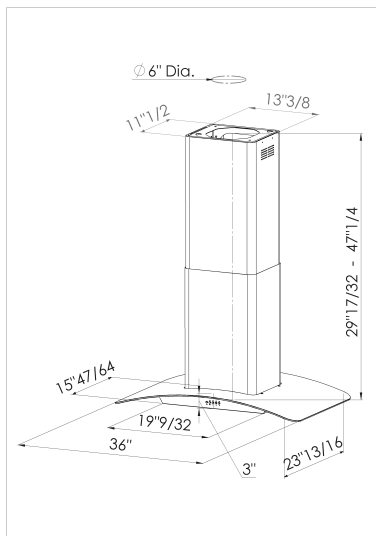


CORTIVO ISLAND RANGE HOOD 36 inches



CORTIVO ISLAND

CORTIVO ISLAND 36 inches

FEATURES

- Premium domestic range hood
- Glass & Stainless-steel construction
- Welded seams
- Hand-finished edges
- Heavy-duty blower
- Stainless-steel design filters dishwasher safe
- Time delay shut-off
- Light indicator for grease filter maintenance
- Light indicator for charcoal filter replacement
- Convertible (external venting or recirculating)
- Easy installation system
- Made in Italy

SPECS

- Motor capacity: 600 CFM
- Controls: Electronic push buttons soft touch
- Lights: 4 X LED
- ETL approved

ACCESSORIES

- Charcoal filters included



PRODUCT PLUS

The CORTIVO is an impressive ceiling-mounted, stainless steel, island chimney hood with glass canopy, ideal for all kitchen islands. The powerful extraction rate quickly takes away those unwanted odours and fumes, leaving your kitchen air fresh and clear.

For a better overview when cooking, the energy-saving LED lights supply more light from above on your hob.

Soft touch button control makes controlling the extractor speeds and lighting easy. This unit also features height adjustable chimney sections, a design grease filter and grease and charcoal filter maintenance indicators.

Light indicator for grease filter maintenance

The cooker hood automatically informs you when the metal grease filter designed for trapping grease in the air requires cleaning. It is of utmost importance to clean these filters to ensure cooker hood components are protected and to pre-vent bad odours caused by a build-up of grease.

Light indicator for charcoal filter substitution

The cooker hood automatically informs you when the active carbon filter requires replacing. This filter is designed to absorb odours produced when cooking. It is of utmost importance to replace these filters regularly as they lose their efficiency and odour trapping performance.

Time delay shut-off

This function allows you to programme delayed cooker hood shutdown which, in the shortest time possible, provides the right level of air purity in your kitchen.