
Tecnogas SUPERIORE

**INSTALLATION MANUAL
FOR 48" GAS RANGES**

46 | 308472

Table of Contents

Warnings & Important Safety Instructions	3
Dimensions	6
Specifications Technical data	8
Clearance Dimensions (Proximity to Cabinets)	10
Clearance Dimensions (Wood/Composite Overlay)	11
Electrical & Gas Requirements	12
General Information	19
Installation/ Door Removal	20
Leg Installation/Adjustments/Alignments	21
Anit-tip Device Installation	22
Connecting Gas & Electrical	23
Final Preparation	24
Performance Checklist	24
Service & Registration	27
Warranty USA	28

WARNING: If the information in this manual is not followed exactly, a fire or explosion may result causing property damage, personal injury or death.

- Do not store or use gasoline or other flammable vapors and liquids in the vicinity of this or any other appliance.
- **WHAT TO DO IF YOU SMELL GAS:**
 - Do not try to light any appliance.
 - Do not touch any electrical switch;
 - Do not use any phone in your building.
 - Immediately call your gas supplier from a neighbor's phone. Follow the gas supplier's instructions.
 - If you cannot reach your gas supplier, call the fire department.
- Installation and service must be performed by a qualified installer, service agency or the gas supplier.

Warnings & Important Safety Instructions

- Before beginning, please read these instructions completely and carefully.
- **DO NOT** remove permanently affixed labels, warnings, or plates from product. This may void the warranty.
- All local and national codes and ordinances must be observed. Installation must conform with local codes or in the absence of codes, the National Fuel Gas Code ANSIZ223.1 INFPA54.
- The installer must leave these instructions with the consumer who should retain for local inspector's use and for future reference.

In Canada: Installation must be in accordance with the current CAN/CGA B149.1 & 2 Gas Installation codes and/or local codes. Electrical installation must be in accordance with the current CSA C22.1 Canadian Electrical Codes Part I and/or local codes.

In Massachusetts: All gas products must be installed by a "Massachusetts" licensed plumber or gasfitter. A "T" type handle manual valve must be installed in the gas supply line to the appliance.

In California:

WARNING: This product contains chemicals known to the State of California to cause cancer and birth defects or other reproductive harm. (California law requires this warning to be given to customers in the State of California).

An air curtain or other overhead range hood which operates by blowing a downward airflow onto the range, shall not be used with a gas range.

Your safety and the safety of others is very important.

We have provided many important safety messages in this manual and on your appliance. Always read and obey all safety messages.



This is the safety alert symbol. This symbol alerts you to hazards that can kill or hurt you and others.

All safety messages will be preceded by the safety alert symbol and the word **DANGER**, **WARNING** or **CAUTION**. These words mean:



DANGER

Hazards or unsafe practices which WILL result in severe personal injury or death.



WARNING

Hazards or unsafe practices which COULD result in severe personal injury or death.



CAUTION

Hazards or unsafe practices which COULD result in minor personal injury or property damage.

All safety messages will identify the hazard, tell you how to reduce the chance of injury, and tell you what can happen if the instructions are not followed.

Warnings & Important Safety Instructions

A GFI shall be used if required by NFPA-70 (National Electric Code), federal/state/local laws, or local ordinances.

- The required use of a GFI is normally related to the location of a receptacle with respect to any significant sources of water or moisture.
- TECNOGAS SUPERIORE will NOT warranty any problems resulting from GFI outlets which are not installed properly or do not meet the requirements below.

If the use of a GFI is required, it should be:

- Of the receptacle type (breaker type or portable type NOT recommended)
- Used with permanent wiring only (temporary or portable wiring NOT recommended)
- On a dedicated circuit (no other receptacles, switches or loads in the circuit)
- Connected to a standard breaker of appropriate size (GFI breaker of the same size NOT recommended)
- Rated for Class A (5 mA +/- 1 mA trip current) as per UL 943 standard
- In good condition and free from any loose-fitting gaskets (if applicable in outdoor situations)
- Protected from moisture (water, steam, high humidity) as much as reasonably possible



WARNING

To prevent possible damage to cabinets and cabinet finishes, use only materials and finishes that will not discolor or delaminate and will withstand temperatures up to 194°F (90°C). Heat resistant adhesive must be used if the product is to be installed in laminated cabinetry.

Check with your builder or cabinet supplier to make sure that the materials meet these requirements.

Warnings & Important Safety Instructions



DANGER

CHEMICAL HAZARD



To avoid risk of property damage and/or personal injury or death; this appliance is not to be used as a heating source.

- Benzene is a chemical which is part of the gas supply to this cooking product, which is consumed in the flames during combustion. Exposure to a small amount of benzene is possible if a gasleak occurs. Formaldehyde and soot are by products of incomplete combustion.
- This appliance contains or produces chemicals which can cause serious injury or death and which are known to the state of California to cause cancer, birth defects or other reproductive harm. To reduce the risk from substances in the fuel or from fuel combustion make sure this appliance is installed, operated, and maintained in accordance to the instructions in this document.



DANGER

ELECTRICAL SHOCK HAZARD



To avoid risk of electrical shock, personal injury or death; verify your

appliance has been properly grounded in accordance with local codes or in absence of codes, with the National Electrical Code (NEC). ANSI/NFPA 70-la-test edition.



WARNING

MOVING HAZARD



To avoid risk of severe personal injury; this appliance requires two or more personnel

while handling and moving. Possible use of appliance moving devices is recommended.



WARNING

TIPPING HAZARD



To reduce the risk of property damage or personal injury; install anti-tipping device provided in accordance



with the installation instructions in this document. Device must be engaged properly to prevent product from tipping over.

- This range can tip
- Injuries to persons can result
- Install anti-tip device packed with range
- See installation instructions



DANGER

GAS LEAK HAZARD



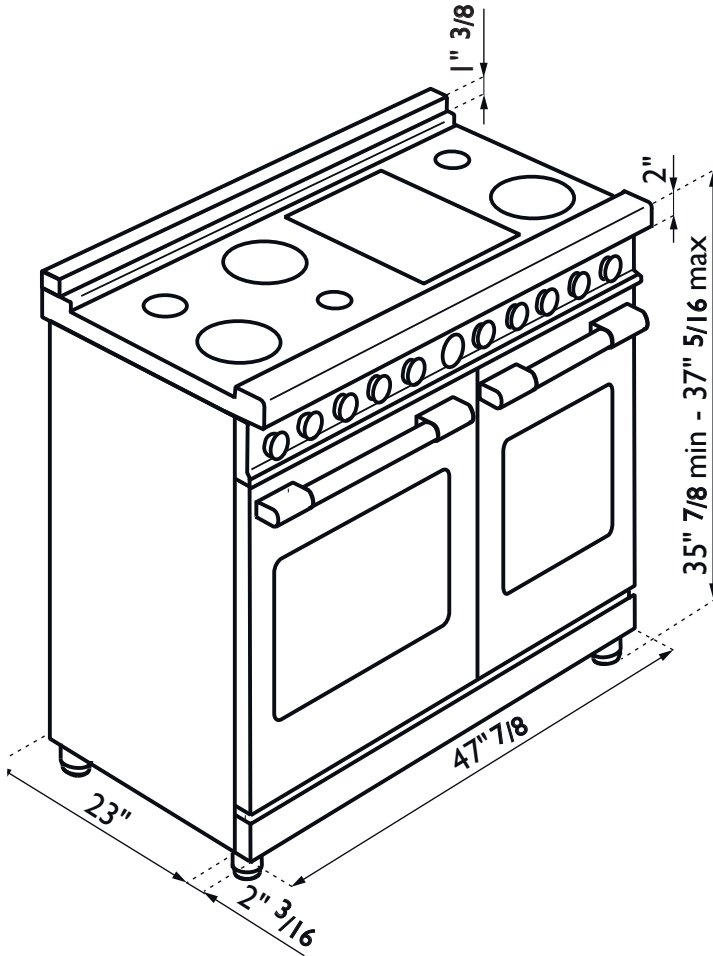
To avoid risk of personal injury or death; leak testing of the

appliance must be conducted according to the manufacturer's instructions. Before placing appliance in operation, always check for gas leaks with soapy water solution.

- DO NOT USE AN OPEN FLAME TO CHECK FOR GAS LEAKS.

Dimensions

48" Gas Ranges

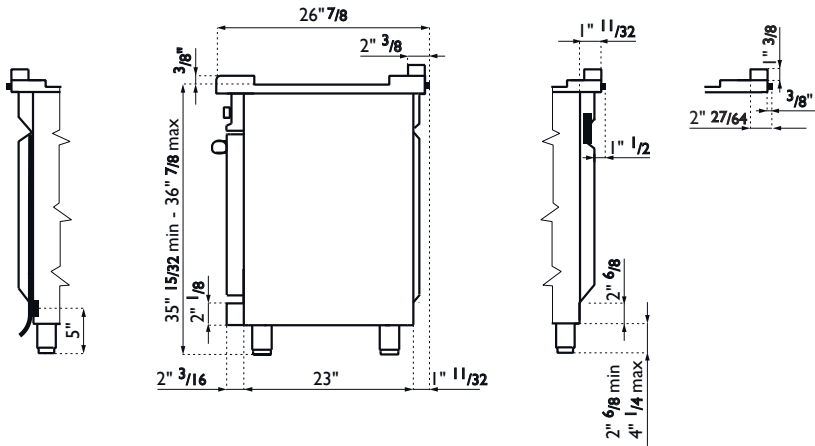
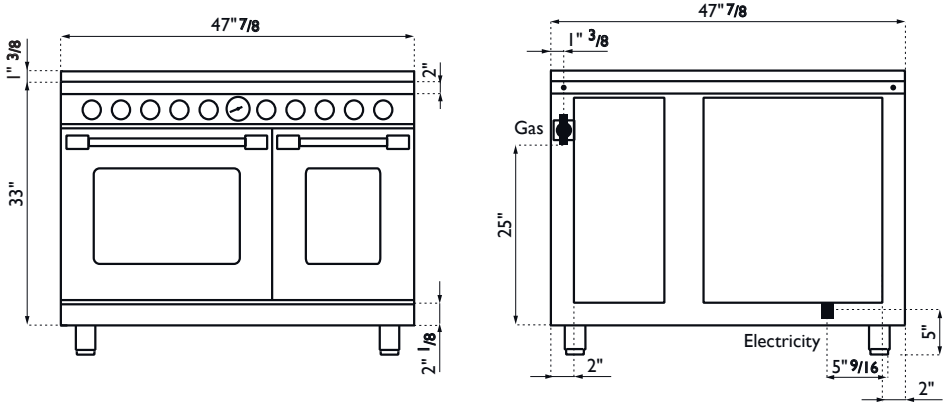


Note: Unit shown with island trim.

Note: All gas ranges are equipped with spacer on the back (²⁵/₆₄) to prevent over heating of the wall.

Dimensions

48" Gas Ranges



Specifications Technical data

Burners - injectors and volume Range Mod. ...482...										
		Methane 4"			LPG 10"			By-pass		
Burners		Inj.	W	BTU/h	Inj.	W	BTU/h	Ø	W	BTU/h
Small burner		92	1055	3600	56	1055	3600	28	322	1100
Medium burner		117	1661	6500	70	1661	6500	34	381	1300
Large burner		155	2931	11000	93	2931	11000	44	791	2700
Power burner	Ext. ring Int. ring	137 (2) 80	5275	18000	82 (2) 50	5275	18000	65	1377	4700
Power burner with simmer	Ext. ring Int. ring	137 (2) 80	5275	18000	82 (2) 50	5275	18000	60 27	1377	4700
Total gas power		85600						-		
Oven (48 Inches) left cavity		180	4103	14000	108	4103	14000	52	879	3000
Grill (48 Inches) left cavity		135	2345	8000	82	2345	8000	-	-	-
Oven (48 Inches) right cavity		135	2491	8500	80	2491	8500	52	879	3000
Electric griddle		1150 W								
Feeding		120V 60 Hz 1350W (12 A)								
Interior dimensions		m. 24 ^{13/64} x 19 ^{57/64} x 20 ^{31/64} / a. 9 ^{17/64} x 19 ^{35/64} x 20 ^{31/64}								

Specifications Technical data

Induction and Burners - injectors and volume Range Mod. ...483...										
		Methane 4"			LPG 10"			By-pass		
Burners		Inj.	W	BTU/h	Inj.	W	BTU/h	Ø	W	BTU/h
Medium burner		117	1661	6500	70	1661	5700	34	381	1300
Power burner	Ext. ring	137 (2) 80	5275	18000	82 (2) 50	5275	18000	65	1377	4700
	Int. ring									
Power burner with simmer	Ext. ring Int. ring	137 (2) 80	5275	18000	82 (2) 50	5275	18000	60 27	1377	4700
Total gas power		46500						-		
Oven (48 Inches) left cavity		180	4103	14000	108	4103	14000	52	879	3000
Grill (48 Inches) left cavity		135	2345	8000	82	2345	8000	-	-	-
Oven (48 Inches) right cavity		135	2491	8500	80	2491	8500	52	879	3000
Electric griddle		1150 W								
Induction hob		7400 W								
Feeding		120/240 V 60 Hz 8750W (43 A)								
Interior dimensions		m. 24 ^{13/64} x 19 ^{57/64} x 20 ^{31/64} / a. 9 ^{17/64} x 19 ^{35/64} x 20 ^{31/64}								

Clearance Dimensions (Proximity to Cabinets)

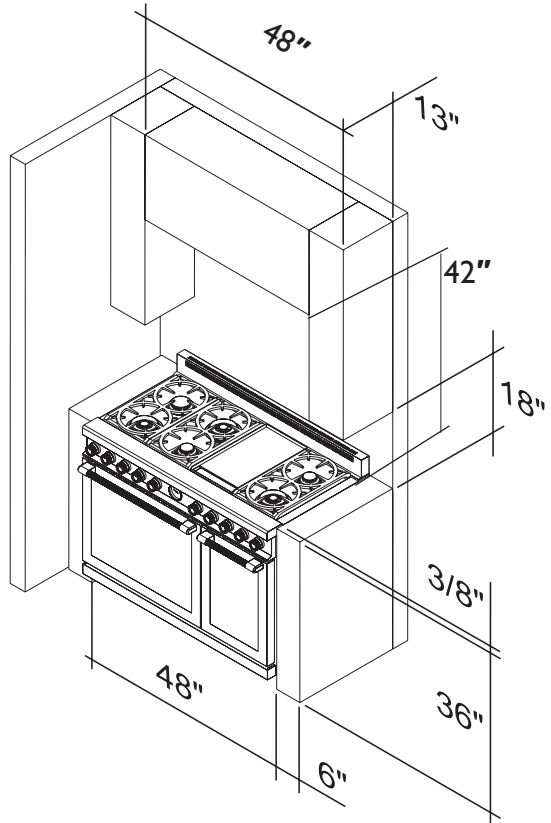
• This range may be installed directly adjacent to existing 36" (91.4 cm) high base cabinets.

IMPORTANT: The side trim **MUST** be 3/8" (0.95 cm) above the adjacent base cabinet countertop. This can be accomplished by raising the unit adjusting the legs.

• The range **CANNOT** be installed directly adjacent to sidewalls, tall cabinets, tall appliances, or other side vertical surfaces above 36" (91.4 cm) high. There must be a minimum of 6" (15.2 cm) side clearance from the range to such combustible surfaces above the (91.4 cm) counter height.

• Within the 6" (15.2 cm) side clearance to combustible vertical surfaces above 36" (91.4 cm) the maximum wall cabinet depth must be 13" (33.0 cm) and wall cabinets within this 6" (15.2 cm) side clearance must be 18" (45.7 cm) above the 36" (91.4 cm) high countertop.

• Wall cabinets above the range must be a minimum of 48" (121.92 cm) above the range cooking surface for the full width of the range. This minimum height requirement does not apply if a range hood is installed over the cooking surface.



CAUTION

Burn hazard

To avoid risk of personal injury; the use of cabinets for storage above the appliance may result in a potential burn hazard.

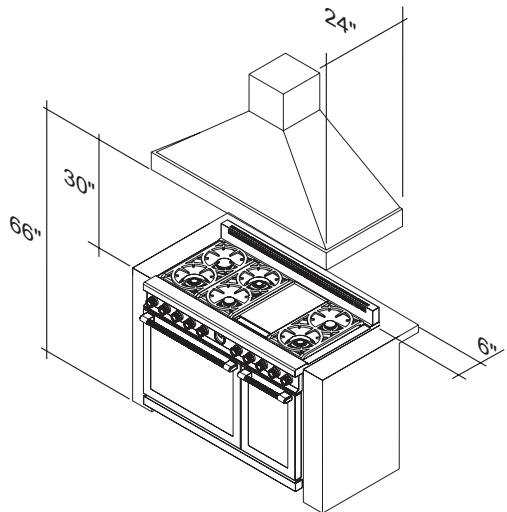
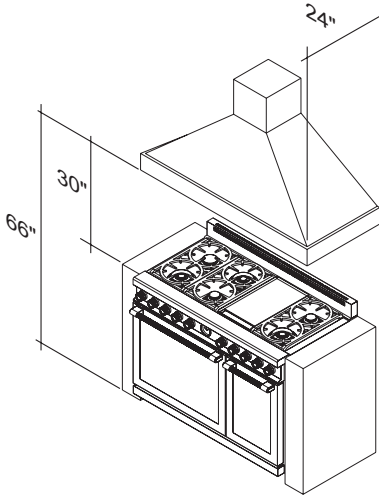
Combustible items may ignite, metallic items may become hot and cause burns. If a cabinet storage is to be provided the risk can be reduced by installing a range hood that projects horizontally a minimum 5" (12.7 cm) beyond the bottom of cabinets.

Note: If a range hood is installed, wall cabinets above the range have a different minimum clearance height.

Clearance Dimensions (Wood/Composite Overlay)

The bottom of a standard hood should be 30" (76.2 cm) min to 36" (91.4 cm) max to above the countertop. This would typically result in the bottom of the hood being 66" (167.6 cm) to 72" (182.9 cm) above the floor. Refer to the range hood installation instructions for additional information.

These dimensions provide for safe and efficient operation of the hood.



Important: This range comes standard with 4" backguard. There must be a minimum of 6" (15.2 cm) clearance from rear of range to a **combustible** wall. Clearances from non-combustible materials are not part of the ANSI Z21.1 scope and are not certified by CSA. Clearances to non-combustible materials must be approved by the authority having jurisdiction.

Electrical & Gas Requirements

Electrical Requirements

Check your national and local codes regarding this unit. The ranges series RN482... and RD482... require 120VAC/60 Hz; 4 ft. (121.9 cm), 3-wire cord with grounded 3-prong plug NEMA 5-15 attached to unit. The ranges series Rn483 require 120/240 Vac 60 Hz, 4 ft. (121.9 cm), 4-wire cord with grounded 4-prong plug NEMA 14-50 attached to unit. See “Electrical Connection” section for grounding instructions. Must be fused separately from any other circuit.



WARNING



ELECTRICAL SHOCK HAZARD

To avoid the risk of electrical shock, personal injury or death; verify

electrical power is turned off at the breaker box and gas supply is turned off until the range is installed and ready to operate, installation by an authorized installer only.

Gas Connection

The appliance must be disconnected from the gas supply piping system during any pressure testing of that system.

The gas supply (service) line must be the same size or greater than the inlet line of the appliance. This range uses a 1/2” (1.3 cm) IDNPT (Sch40) inlet. Sealant on all pipe joints must be resistive to LP gas.

The range is designed specifically for natural gas or liquid propane (LP) gas. Before beginning installation verify that the model is compatible with the intended gas supply.

Manual shut-off valve:

This installer-supplied valve must be installed in the gas service line before the appliance in the gas stream and in a location where it can be reached quickly in the event of an emergency. Any opening behind the range shall be sealed.

In Massachusetts: A “T” handle type manual valve must be installed in the gas supply line to the appliance.

IMPORTANT: Any conversion required must be performed by your dealer or a qualified licensed plumber or gas service company.

Please provide the service person with this manual before work begins.

Pressure Regulator

- All ranges have a pressure regulator on the incoming service line for safe and efficient operation, since service pressure may fluctuate with local demand.

External regulators are not required on this range since a regulator is supplied with each unit. Under no condition bypass this regulator.

- Manifold pressure should be checked with a manometer, natural gas requires 4.0” W.C.P. and LP gas requires 11.0” W.C.P. Incoming line pressure upstream from the regulator must be 1” W.C.P. higher than the manifold pressure in order to check the regulator. The regulator used on this range can withstand a maximum input pressure of 1/2” PSI (14.0” W.C.P.). If the line pressure is in excess of that amount, a step down regulator will be required.

Gas Requirements

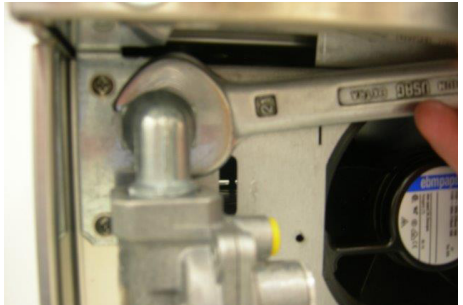
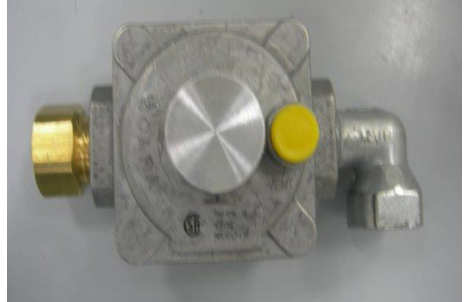
TO INSTALL PRESSURE REGULATOR

1: Remove the 2 covers on the back of the range unscrewing the 3 screws indicated on below pictures.

COVERS



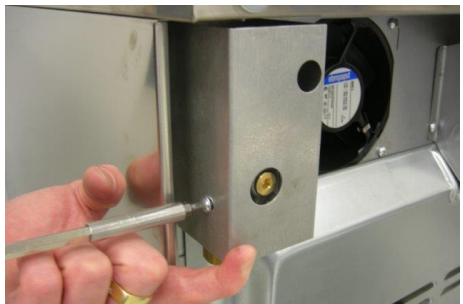
3 - Screw the assembled pressure regulator on the range like shown on picture below. Pay attention to the vertical alignment of the same pressure regulator.



2 - Take from the top of packaging the parts shown in the picture below to assemble the pressure regulator.



4 - Re-install the covers previously removed. On the cover on the pressure regulator add the provided screw on the left side like shown in the picture below.



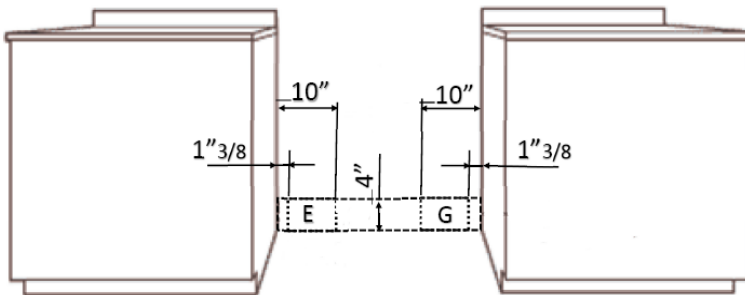
Gas Requirements

Flexible Connections:

If the unit is to be installed with flexible couplings and/or quick-disconnect fittings, the installer must use a heavy-duty AGA design-certified flexible connector or at least 1/2" (1.3 cm) ID NPT (with suitable strainreliefs) in compliance with ANSI Z21.41 and Z21.69.

In Canada: CAN 1-6, 10-88 metal connectors for gas appliances and CAN 1-6.9 M79 quick disconnect devices for use with gas fuel.

In Massachusetts: This appliance must be installed with a 36" (3-foot) long flexible gas connector.



G - area for gas connection
E - area for electric connection

Gas Requirements

GAS CONVERSION

WARNING!

Before carrying out this operation, disconnect the appliance from gas and electricity. Gas conversion shall be conducted by a factory-trained professional. Call the customer service hotline to identify a factory-trained professional near your home. The gas conversion procedure for this range includes 6 steps:

1. Pressure regulator
2. Surface burners
3. Main oven burner
4. Broiler burner
5. Visual checks prior to closure of oven bottom panel
6. Adjustment of minimum setting.

The conversion is not completed if all 6 steps have not been concluded properly. Before performing the gas conversion, locate the package containing the replacement nozzle shipped with every range.

IMPORTANT:

Each nozzle has a number indicating its flow diameter printed on the body. Consult the table on "Specifications Technical data" paragraph for matching nozzles to burners.

Save the nozzles removed from the range for future use



STEP 1: PRESSURE REGULATOR

The pressure regulator supplied with the appliance is a convertible type pressure regulator for use with Natural Gas at a nominal outlet pressure of 4" w.c. or LP gas at a nominal outlet pressure of 11" w.c. and it is pre arranged from the factory to operate with one of these gas/pressure as indicated in the labels affixed on the appliance, package and Instruction booklet.

To convert the regulator for use with other liquid propane LP gas:

1. Unscrew by hand the upper cap of the regulator, remove the white plastic attachment from the cap, reverse its direction and screw it again firmly against the cap. The white plastic attachment must be turned as follow for NATURAL GAS



and as reversed for LP/PROPANE GAS



2. Screw by hand the metal cap in the original position on the regulator.



Gas Requirements

STEP 2: SURFACE BURNERS

To replace the nozzles of the surface burners, lift up the burners and unscrew the nozzles shipped with the range using a 7 mm (sochet wrench).

Replace nozzles using the conversion set supplied with the range or by a Tecno authorized parts warehouse. Each nozzle has a number indicating its flow diameter printed on the body. Consult the table on "Specifications Technical data" paragraph for matching nozzles to burners.

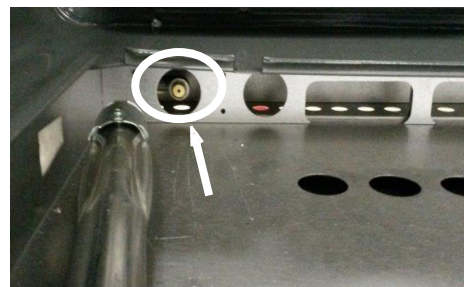
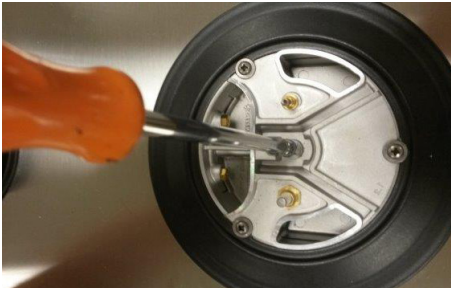
STEP 3: MAIN OVEN BURNER

To replace the nozzles of the main oven burner, start by removing the bottom panel of the oven.

Loose the 2 screws located on the left and right sides of the burner and the burner from its support.

ATTENTION: pay extra attention to avoid damage to the igniter and thermocouple.

Unscrew the nozzle located inside the gas fitting using a 10 mm or 7 mm socket wrench. (It depends on type of injector)



Gas Requirements

STEP 4: BROILER BURNER (MAIN)

Loosen the 2 screws on left and right sides and pull out the burner from its support burner from its support.

ATTENTION: pay extra attention to avoid damage to the igniter and thermocouple.



Using a 7 mm or 10 mm socket wrench to unscrew the nozzle. Replace the nozzle using the conversion set supplied with the range or by a Tecno authorized parts warehouse. Each nozzle has a number indicating its flow diameter printed on the body. Consult the table on "Specifications Technical data" paragraph for matching nozzles to burners.

ATTENTION:
Air adjustment is not needed.

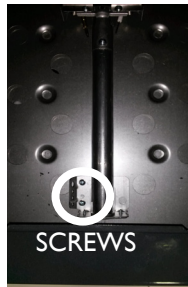


STEP 5: BROILER BURNER (auxiliary)

To replace the nozzle of the small oven burner start by removing the bottom panel



Loosen the 2 screws in front of the burner and move it on the side in order to be able to reach the nozzle.



Pay extra attention to avoid damage to the igniter and thermocouple.

Gas Requirements

STEP 6: VISUAL CHECKS

Before reinstalling the bottom panel, the following visual check must be performed to ensure that the conversion has been carried out properly and without damage to other components of the range.

BURNER IGNITER AND THERMOCOUPLE POSITION

The appropriate gap between the tip of the spark plug or thermocouple and the burner shall be approximately 1/8".



The tip of the spark plug or thermocouple must fully overlap at least the first gas emission hole of the burner. After performing all these visual checks, reinstall the bottom panel of the oven compartment and proceed to setting the minimum for each burner.

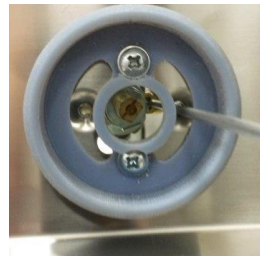


STEP 7: MINIMUM FLAME ADJUSTMENT

WARNING! These adjustments should be made only for use of the appliance with natural gas. For use with liquid propane gas, the By-pass screw must be fully turned in a clockwise direction.

SURFACE BURNERS

1. Light one burner at a time and set the knob to the MINIMUM position (small flame).
2. Remove the knob.
3. The range is equipped with a safety valve. Using a small size slotted screwdriver, locate the By-pass screw valve on the valve body and turn it to the right or left until the burner flame is adjusted to desired minimum.
4. Make sure that the flame does not go out when switching quickly from the MAXIMUM to the MINIMUM position.



For all hob burners



For simmer burners, on the tap in the right

General Information

READ AND FOLLOW ALL WARNING AND CAUTION INFORMATION WHEN INSTALLING THIS APPLIANCE.

- All openings in the wall behind the appliance and in the floor under the appliance must be sealed.
- Do not obstruct the flow of combustion and ventilation air.



CAUTION

Avoid any damage to oven vents. The vents need to be unobstructed and open to provide proper airflow for optimal oven performance.



CAUTION

The cooling fans should be operating when the unit is in operation. If you notice the cooling fans are not operating or you observe unusual or excessive noise coming from the cooling fans, contact a TECNOGAS SUPERIORE Service Center before continuing operation. Failure to do so can result in damage to the oven or surrounding cabinets.

Moving, Handling and Unpacking

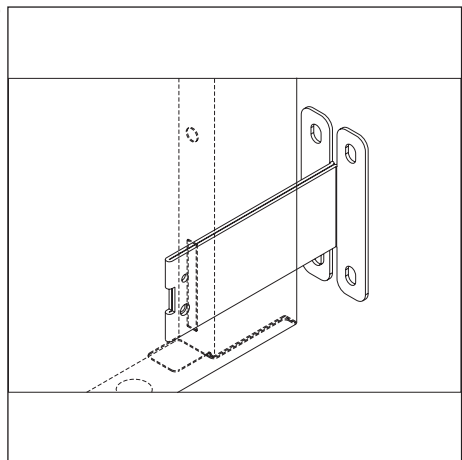
Remove and discard all packing materials, including cardboard and tape on the outside and inside of the range.

Remove the burner grates and styrofoam off the top cooking surface. Be sure to remove the burner caps packaged in styrofoam below the burner grates.

Do not discard the anti-tip metal bracket supplied with the range. This is the anti-tip device and must be installed with the unit. Refer to “Anti-tip Device Installation” section.

Some stainless steel parts may have a plastic protective wrap which must be peeled off. The interior should be washed thoroughly with hot, soapy water to remove film residues and any dust or debris before being used, then rinsed and wiped dry.

Solutions stronger than soap and water are rarely needed.



Installation/Door removal

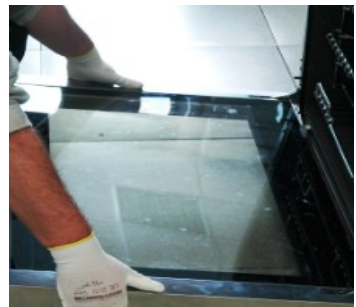
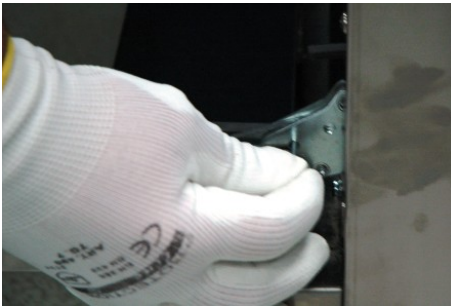


NOTICE

DO NOT use the handle or oven door to lift the oven. **DO NOT** lift or carry the door by the handle.

Removing the door must be done by your dealer; a qualified licensed plumber, or certified gas installer

Door Removal



1)- Open the door completely. Place the pins, supplied with unit, in pin hole. For personal safety, **ONLY** use pins supplied with the unit.

2)- Grasp the door as indicated in the photos below and turn up until you perceive the block.



3)- Lift the door up and extract.

Leg Installation/Adjustments/Alignment

Tecnogas ranges must be used only with the legs properly installed.

Six height adjustable legs are delivered with the range in the polysterene container situated over the appliance.

Before installing the legs, position the appliance near its final location as the legs are not suitable for moving the appliance over long distances.

After unpacking the range, raise it enough to insert the legs in the appropriate receptacles situated on the lower part of the appliance. Lower the range gently to keep any undue strain from legs and mounting hardware. If possible use a pallet or lift jack instead of tilting the unit.

Adjust leg height to the desired level by twisting the inside portion of the leg assembly until the proper height is reached. Check with a level that the worktop alignment is perfectly level.



insert the legs in the appropriate receptacles

Remember that is indicated to set the high corner of range so that the top of side trim is 3/8" (0.95 cm) above countertop. (see paragraph "Dimension")

Anti-tip Device Installation

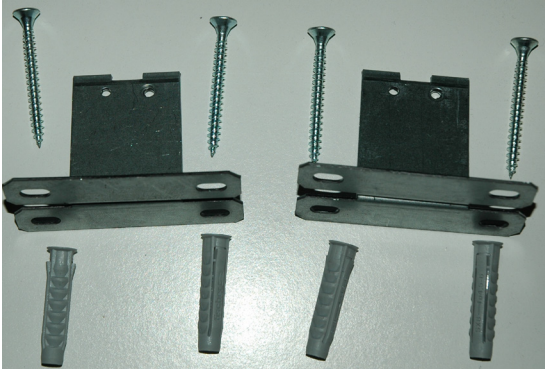


HAZARD:

To reduce the risk of property damage or personal injury; install anti-tipping device provided in accordance with the installation instructions in this document.

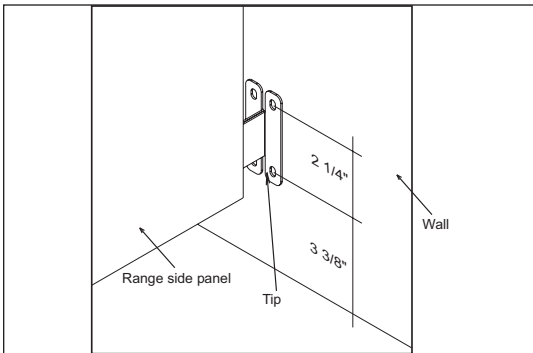


Device must be engaged properly to prevent product from tipping over.



Kit enclosed with the range. Mark and drill holes where the bracket will be located.

TIPPING



Measure from floor to the anti-tip bar located in a slit on the back of the range.

Connecting Gas & Electric



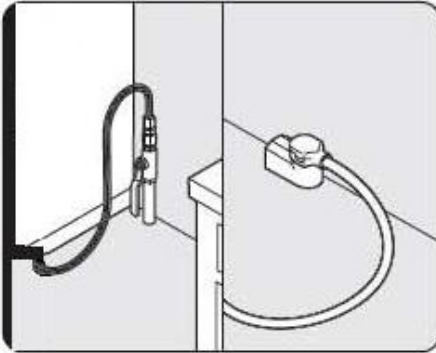
DANGER



GAS LEAK HAZARD

To avoid risk of personal injury or death; leak testing of the appliance must be conducted according to the manufacturer's instructions. Before placing appliance in operation, always check for gas leaks with soapy water solution.

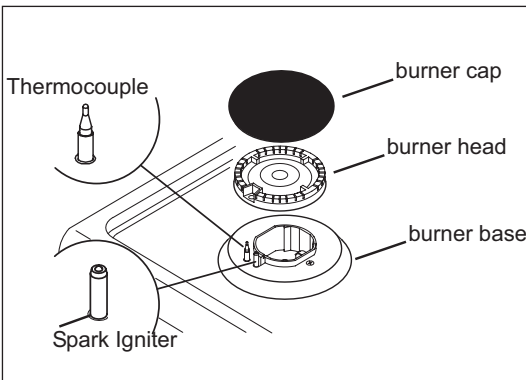
- DO NOT USE AN OPEN FLAME TO CHECK FOR GAS LEAKS.



Connect gas and electrical.

Before placing appliance in operation, always check for gas leaks.

This must be performed by your dealer, a qualified licensed plumber, or gas service company.



Burner caps are packed in styrofoam top pack with the grates. Place burner on top of range. Place burner grate on top of burner cap and grate support.



Final Preparation

•All stainless steel body parts should be wiped with hot, soapy water and with a liquid cleaner designed for this material. If buildup occurs, **DO NOT** use steel wool, abrasive cloths, cleansers, or powders! If it is necessary to scrape stainless steel to remove encrusted materials,



soak with hot, wet cloths to loosen the material, then use a wool or nylon scraper. **DO NOT** use a metal knife, spatula, or any other material tool to scrape stainless steel! Scratches are almost impossible to remove.

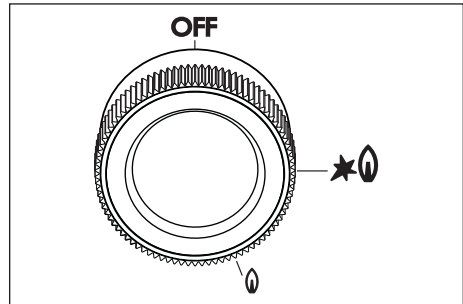
Performance Checklist

A qualified installer should carry out the following checks:

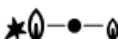

- Check top burner ignition. Push and turn the knob “Full on” position.  The low flame should light at every port. 
- Check oven bake function bake burner on full power.
- Check convection broil function broil burner at full power with convection fan on.
- Check convection fan function convection fan comes on when switch is turned on.

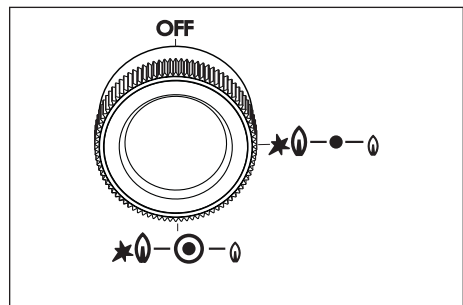
Worktop burner knob

OFF	= Closed position
	= “Full on” position (High flame)
	= “Reduced rate” position (Low flame)



Power burner knob with simmer

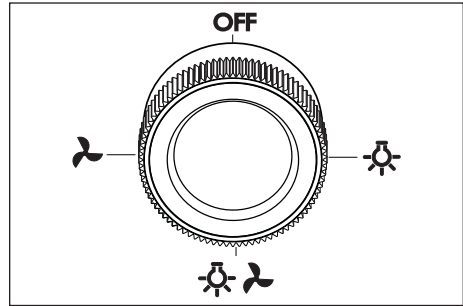
OFF	= Closed position
	= “Full on” position internal ring
	= “Full on” position external ring



Performance Checklist

Rotary switch knob

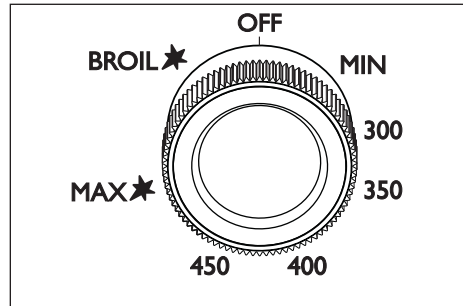
OFF	= Closed position
	= Oven light on
	= Oven light on - fan
	= Fan



LEFT CAVITY

Gas oven switch knob range 48"

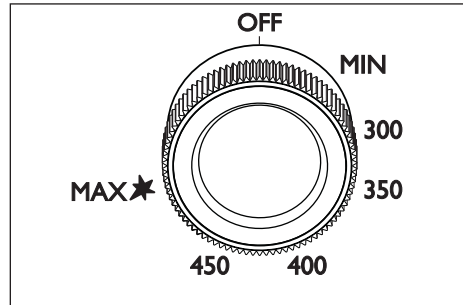
OFF	= Closed position
from MIN to MAX (300-450 °F)	= Oven temperatures
Broil	= Broil



RIGHT CAVITY

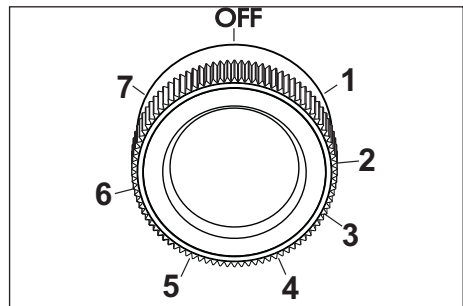
Gas oven switch knob range 48"

OFF	= Closed position
from MIN to MAX	= Oven temperatures




Electric griddle knob range 48"

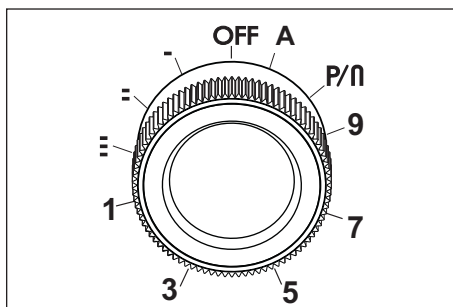
OFF	= Closed position
from 1 to 7 positions	= Griddle temperatures



Performance Checklist

Induction zone knob

OFF	Cooking zone Off (not activated)
A	= Accelerated heat-up
P/Π	= Turbo Boost/Bridge
from 1-9	= Induction power levels
	= Induction special functions: Melting, Warming, Simmering



Service & Registration

Only authorized replacement parts may be used in performing service on the appliance. All servicing should be referred to a qualified technician.

Contact TECNOGAS SUPERIORE 1-844-322-2111, for the nearest service parts distributor in your area or write to: CUSTOMERCARE@TECNOSPA.IT

Record the information indicated below.

You will need it if service is ever required.

The model and serial number can be found by looking in the last page of this booklet. A duplicate label is located on the back side of the range.

model number

serial number

date of purchase

date installed

dealer's name

address

These installation instructions should remain with the unit for future reference.

WARRANTY U.S.A

Please record your model (MOD) and serial number (S/N) below for future reference. For your convenience, a label containing this information is supplied with this booklet. When writing or calling about a service problem, please include the following information:

- your name, address and telephone number
- appliance model and serial number
- name and address of your dealer
- a clear description of the problem you are having
- proof of purchase (sales receipt)

MOD: _____

S/N: _____

TECNOGAS SUPERIORE WARRANTY TWO YEARS PARTS AND LABOR

For two year from the date of the original purchase,TECNOGAS SUPERIORE will repair or replace (at its option) any part of the range which fails due to a defect in materials or workmanship. During this warranty,TECNOGAS SUPERIORE will provide, free of charge, all labor and in-home service to repair or replace the defective part.This warranty is extended to the original purchaser and any succeeding owner with proper documentation of ownership for products purchased for residential use within the United States of America.

EXCLUSIONS

This warranty does not cover any defect or damage, which is not direct fault of TECNOGAS SUPERIORE; this includes, but is not limited to:

- 1) Service trips to your home to instruct you how to use the product.
- 2) Service trips to your home, during which no fault is found.
- 3) Damages occurred during transit, handling and/or installation of the product.
- 4) Damages occurred in case the product has not been installed, duly following the manufacturer's installation instructions, as well as any local code or regulation.
- 5) Damages due to failure in following the manufacturer's recommended care, cleaning and maintenance instructions; in particular, damages to the oven and/or the worktop if they have not been cared and cleaned according to these instructions.

WARRANTY U.S.A

6) Any repair, modification, alteration, or adjustment provided by any person not authorized by TECNOGAS SUPERIORE.

7) Failure of the product if it is abused, misused or used for other than the intended purpose or if used commercially/industrially.

8) Incorrect electric current, voltage or power supply.

9) Improper setting of any control.

10) Replacement of house fuses or resetting of circuit breakers.

11) Replacement of the light bulbs.

12) Wear and tear

13) Any substance, accumulating in any part or component of the product.

14) Damages to anything situated next to the product, including, but not limited to, ceiling, floor or cabinetry.

15) Damage to the product caused by accident, fire, floods or acts of God.

16) Expenses for travel and transportation to locations more than 30 miles from an authorized TECNOGAS SUPERIORE retailer.

17) Products with original serial numbers that have been removed.

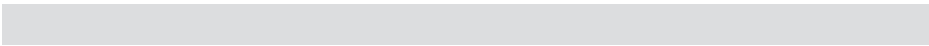
The remedies described above are the only ones which TECNOGAS SUPERIORE will provide, either under this warranty or under any warranty arising by operation of law. TECNOGAS SUPERIORE will not be responsible for any consequential or incidental damages arising from the breach of this warranty or any other warranty, whether express, implied or statutory.

Some States do not allow the exclusion or limitation of incidental or consequential damages. This warranty gives you specific legal rights, and you may also have other rights which vary from state to state. To know what your legal rights are, consult your local state consumer affairs office or your state's Attorney General.

Labels

INSTALLATION LABEL

CONVERSION LABEL



Tecnogas SUPERIORE

tecnogassuperiore.us