

ZLINE

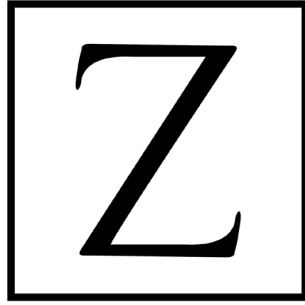
CROWN SOUND

Installation Guide
and Users Manual



This product can expose you to chemicals including nickel, which is known to the State of California to cause cancer, and birth defects or other reproductive harm. For more information go to www.P65Warnings.ca.gov.

Even though the materials used in all ZLINE Kitchen and Bath products conform to all federal government regulations and all national product standards, California's Prop 65 requires all businesses to provide a "clear and reasonable warning" if one or more listed chemicals may be present in the product, even if that chemical is present in trace quantities



ZLINE

Integrated with industry-defining technology, the ZLINE Bluetooth Crown Moldings transform the seamless, elegant ceiling transition into a Bluetooth sound system, creating the perfect entertainment area for you and your guests.

CONTENTS

- IMPORTANT SAFETY INSTRUCTIONS 1
- PRODUCT SPECIFICATIONS 2
- CROWN SOUND INSTALLATION 3
- TROUBLESHOOTING AND FAQ 5

WARRANTY AND DISCLAIMER

Warranty

Bluetooth crown moldings carry a one year parts warranty.

Replacement Speakers

Replacement speakers are available from ZLINE. Call 1-614-777-5004.

IMPORTANT SAFETY INSTRUCTIONS

- All electrical wiring must be properly installed, insulated, and grounded.
- Use this unit only in the manner intended by the manufacturer. If you have any questions, contact the vendor.

PRODUCT SPECIFICATIONS

Electric Power Rating

Frequency: 110V/50 Hz

Power: 10W

CROWN SOUND INSTALLATION



Installation Tutorial Video

Step 1

Attach crown molding bracket to ceiling using hardware provided. *Figure 1*

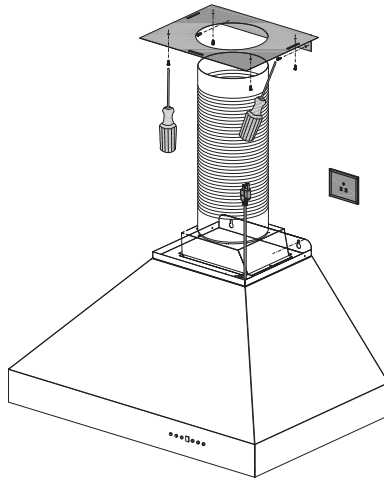


Figure 1

Step 2

Attach ducting and electrical connections. Plug the speakers into an outlet behind the chimney. When the connection is successful, a chime will sound. *Figure 2*

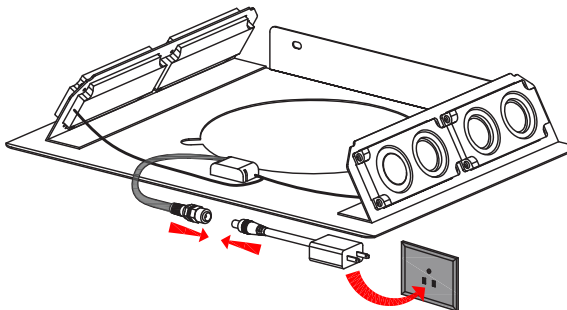


Figure 2

CROWN SOUND INSTALLATION

Step 3

Extend the chimney up to the transformer. Slide the crown molding onto the crown bracket and secure into place. The crown should cover the gap. Ensure that it installs properly and is level. *Figure 3*

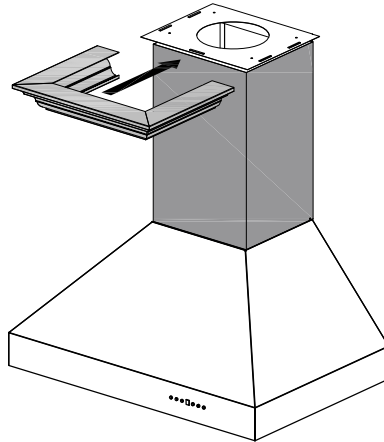


Figure 3

Step 4

Open the phone's Bluetooth settings and find "ZLINE Audio." When the connection is successful, a chime will sound. *Figure 4*

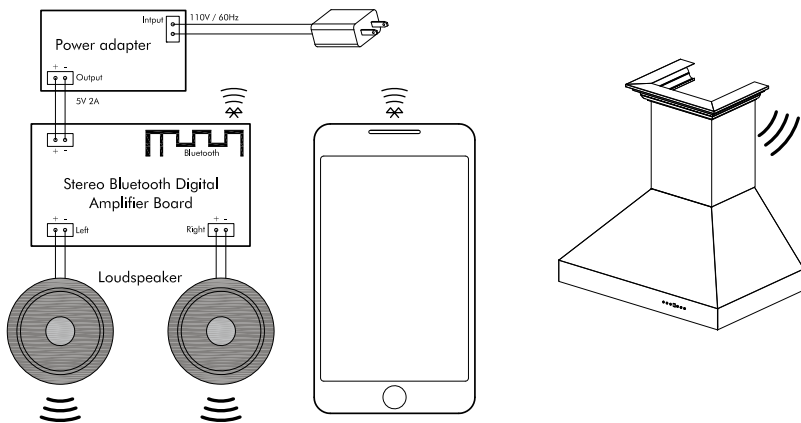


Figure 4

How many devices can the Bluetooth speakers sync to at a time?

Only 1 device can sync at a time.

What is the decibel rating of the Bluetooth speakers?

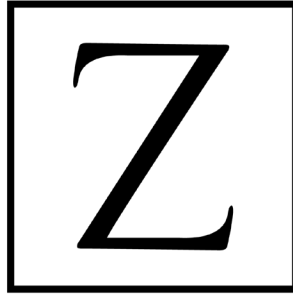
Up to 100 decibels.

What is the range of the speakers? What's the maximum distance for the connection to work?

Up to 50 feet. If the connection is weak, move closer to the speakers or remove obstacles that are between the device and the speakers.

"ZLINE Audio" won't appear in the Bluetooth settings.

Check if the electrical connections are secure. A chime will sound if the connection is successful. If "ZLINE Audio" still will not appear, call ZLINE at 1-614-5004 for a replacement.



ZLINE

KITCHEN AND BATH

Three Locations:

350 Parr Circle
Reno, NV 89512

916 Delaware Avenue
Marysville, OH 43040

319 Rowland Mill Road
Brucceton, TN 38317

www.zlinekitchen.com

1-614-777-5004