



INSPIRING THE WORLD'S KITCHEN



MICROWAVE
COS-BIM22SSB
SAFETY & USER
INSTRUCTIONS

IMPORTANT SAFETY INSTRUCTIONS

Carefully read the following Important information regarding installation safety and maintenance. Keep these instruction for future reference.

COS-BIM22SSB

USER MANUAL

THANK YOU FOR YOUR PURCHASE

Thank you for your purchase. We know that you have many brands and products to choose from and we are honored to know that you have decided to take one of our products into your home and hope that you enjoy it.

COSMO appliances are designed according to the strictest safety and performance standard for the North American market. We follow the most advanced manufacturing philosophy. Each appliance leaves the factory after thorough quality inspection and testing. Our distributors and our service partners are ready to answer any questions you may have regarding how to install, use and care for your products. We hope that this manual will help you learn to use the product in the safest and most effective manner .

If you have any questions or concerns, please contact the dealer from whom you purchased it, or contact our Customer Support at:

1-888-784-3108.

Specifications

Model:	COS-BIM22SSB
Rated Voltage:	120V~60Hz
Rated Input Power(Microwave):	1700W
Rated Output Power(Microwave):	1200W
Oven Capacity:	62L / 2.19 cu ft
Turntable Diameter:	∅420mm / 16.5 "
External Dimensions:	24.4" x 19.6" x 13.6"
Net Weight:	Approx. 43.4 lbs

IMPORTANT SAFETY INSTRUCTIONS

BEFORE YOU BEGIN:

Please Read all instructions completely and carefully.
Save these instructions for future references.

PRECAUTIONS TO AVOID POSSIBLE EXPOSURE TO EXCESSIVE MICROWAVE ENERGY

- (a) Do not attempt to operate this oven with the door open since operation can result in harmful exposure to microwave energy. It is important not to defeat or tamper with the safety interlocks.
- (b) Do not place any object between the oven front face and the door or allows soil or cleaner residue to accumulate on sealing surfaces.
- (c) Do not operate the oven if it is damaged. It is particularly important that the oven door closes properly and that there is no damage to the:
 - (1) DOOR (bent)
 - (2) HINGES AND LATCHES (broken or loosened)
 - (3) DOOR SEALS AND SEALING SURFACE
- (d) The oven should not be adjusted or repaired by anyone except properly qualified service personnel.

Table of Contents

IMPORTANT SAFETY INSTRUCTIONS	3-6
Instructions Radio Interference Utensils	5-6
MICROWAVE USAGE	
Materials you can use Materials to be avoided	7
SETTING UP	8
Turntable installation Counter top installation	9
OPERATION	
Power levels Clock settings Microwave cooking	10
TIMER	11
Rapid cooking Weight Defrost Time Defrost	12
PRESETS	13
Sensor cook Memory Function	13
FUNCTIONS	
Multi Stage Cooking Inquiring Function	14
Language Settings Silence Mode	
LOCKING	15
Child Lock Door Lock	
OTHER FUNCTIONS	
Cooking Finish	
MENU CHART	16
MAINTENANCE	17
WARRANTY	18



IMPORTANT SAFETY INSTRUCTIONS

When using electrical appliances basic safety precautions should be followed including the following:

WARNING - To reduce the risk of burns, electric shock, fire, injury to persons or exposure to excessive microwave energy:

1. Read all instructions before using the appliance.
2. Read and follow the specific: "PRECAUTIONS TO AVOID POSSIBLE EXPOSURE TO EXCESSIVE MICROWAVE ENERGY" found on page 3.
3. This appliance must be grounded. Connect only to properly grounded outlet. See "GROUNDING INSTRUCTIONS" found on page 5.
4. Install or locate this appliance only in accordance with the provided installation instructions.
5. Some products such as whole eggs and sealed containers - for example, closed glass jars - are able to explode and should not be heated in this oven.
6. Use this appliance only for its intended use as described in the manual. Do not use corrosive chemicals or vapors in this appliance. This type of oven is specifically designed to heat, cook or dry food. It is not designed for industrial or laboratory use.
7. As with any appliance, close supervision is necessary when used by children.
8. Do not operate this appliance if it has a damaged cord or plug, if it is not working properly, or if it has been damaged or dropped.
9. This appliance should be serviced only by qualified service personnel. Contact nearest authorized service facility for examination, repair, or adjustment.
10. Do not cover or block any openings on the appliance.
11. Do not store this appliance outdoors. Do not use this product near water - for example, near a kitchen sink, in a wet basement, near a swimming pool, or similar location.
12. Do not immerse cord or plug in water.
13. Keep cord away from heated surface.
14. Do not let cord hang over edge of table or counter.
15. When cleaning surfaces of door and oven that comes together on closing the door, use only mild, nonabrasive soaps, or detergent applied with a sponge or soft cloth.
16. To reduce the risk of fire in the oven cavity:
 - (1). Do not overcook food. Carefully attend appliance when paper, plastic, or other combustible materials are placed inside the oven to facilitate cooking.
 - (2). Remove wire twist-ties from paper or plastic bag before placing bag in oven.
 - (3). If material inside of the oven ignite, keep oven door closed, turn oven off, and disconnect the power cord, or shut off power at the fuse or circuit breaker panel.
 - (4). Do not use the cavity for storage purposes. Do not leave paper products, cooking utensils, or food in the cavity when not in use.
17. Liquids, such as water, coffee, or tea are able to be overheated beyond the boiling point without appearing to be boiling. Visible bubbling or boiling when the container is removed from the microwave oven is not always present.

THIS COULD RESULT IN VERY HOT LIQUID SUDDENLY BOILING OVER WHEN THE CONTAINER IS DISTURBED OR A UTENSIL IS INSERTED INTO THE LIQUID

//continued on next page..

17. Continued..

To reduce the risk of injury to persons:

- DO NOT OVERHEAT the liquid
- Stir the liquid both before and halfway through heating it.
- Do not use straight-sided containers with narrow necks.
- After heating, allow the container to stand in the microwave oven for a short time before removing the container.
- Use extreme care when inserting a spoon or other utensil into the container.

GROUNDING INSTRUCTIONS

This appliance must be grounded. In the event of an electrical short circuit, grounding reduces the risk of electric shock by providing an escape wire for the electric current. This appliance is equipped with a cord having a grounding wire with a grounding plug. The plug must be plugged into an outlet that is properly installed and grounded.

WARNING - Improper use of the grounding can result in a risk of electric shock.

Consult a qualified electrician or serviceman if the grounding instructions are not completely understood, or if doubt exists as to whether the appliance is properly grounded. If it is necessary to use an extension cord, use only a 3-wire extension cord that has a 3-blade grounded plug, and 3-slot receptacle that will accept the plug on the appliance. The marked rating of the extension cord shall be equal to or greater than the electrical rating of the appliance.

DANGER - Electric Shock Hazard

Touching some of the internal components can cause serious personal injury or death. Do not disassemble this appliance.

WARNING - Electric Shock Hazard

Improper use of the grounding can result in electric shock. Do not plug into an outlet until appliance is properly installed and grounded.

1. A short power-supply cord is provided to reduce the risks resulting from becoming entangled in or tripping over a longer cord.
2. Longer cord sets or extension cords are available and may be used if care is exercised in their use.
3. If a long cord or extension cord is used:
 - (1) The marked electrical rating of the cord set or extension cord should be at least as great as the electrical rating of the appliance.
 - (2) The extension cord must be a grounding-type 3-wire cord.
 - (3) The longer cord should be arranged so that it will not drape over the counter top or tabletop where it can be pulled on by children or tripped over unintentionally.

SAVE THESE INSTRUCTIONS



RADIO INTERFERENCE

1. Operation of the microwave oven may cause interference to your radio, TV or similar equipment.
2. When there is interference, it may be reduced or eliminated by taking the following measures:
 - Clean door and sealing surface of the oven
 - Reorient the receiving antenna of radio or television.
 - Relocate the microwave oven with respect to the receiver.
 - Move the microwave oven away from the receiver.
 - Plug the microwave oven into a different outlet so that microwave oven and receiver are on different branch circuits.

UTENSILS

CAUTION - Personal Injury Hazard

Tightly-closed utensils could explode. Closed containers should be opened and plastic pouches should be pierced before cooking.

See the instructions on "Materials you can use in microwave oven or to be avoided in microwave oven."

There may be certain non-metallic utensils that are not safe to use for microwaving. If in doubt, you can test the utensil in question following the procedure below.

Utensil Test:

1. Fill a microwave-safe container with 1 cup of cold water (250ml) along with the utensil in question.
2. Cook on maximum power for 1 minute.
3. Carefully feel the utensil. If the empty utensil is warm, do not use it for microwave cooking.
4. Do not exceed 1 minute cooking time.

Microwave Safe Materials

Utensils	Remarks
Browning dish	Follow manufacturer* instructions. The bottom of browning dish must be at least 3/16 inch (5mm) above the turntable. Incorrect usage may cause the turntable to break.
Dinnerware	Microwave-safe only. Follow manufacturer's instructions. Do not use cracked or chipped dishes.
Glass jars	Always remove lid. Use only to heat food until just warm. Most glass jars are not heat resistant and may break.
Glassware	Heat-resistant oven glassware only. Make sure there is no metallic trim. Do not use cracked or chipped dishes.
Oven cooking bags	Follow manufacturer* instructions. Do not close with metal tie. Make slits to allow steam to escape.
Paper plates and cups	Use for short term cooking/warming only. Do not leave oven unattended while cooking.
Paper towels	Use to cover food for reheating and absorbing fat. Use with supervision for a short-term cooking only.
Parchment paper	Use as a cover to prevent splattering or a wrap for steaming.
Plastic	Microwave-safe only. Follow the manufacturer* instructions. Should be labeled "Microwave Safe". Some plastic containers soften, as the food inside gets hot. "Boiling bags" and tightly closed plastic bags should be slit, pierced or vented as directed by package.
Plastic wrap	Microwave-safe only. Use to cover food during cooking to retain moisture. Do not allow plastic wrap to touch food.
Thermometers	Microwave-safe only (meat and candy thermometers).
Wax paper	Use as a cover to prevent splattering and retain moisture.

Do Not Use in Microwave

Utensils	Remarks
Aluminum tray	May cause arcing. Transfer food into microwave-safe dish.
Food carton with metal handle	May cause arcing. Transfer food into microwave-safe dish.
Metal or metal-trimmed utensils	Metal shields the food from microwave energy. Metal trim may cause arcing.
Metal twist ties	May cause arcing and could cause a fire in the oven.
Paper bags	May cause a fire in the oven.
Plastic foam	Plastic foam may melt or contaminate the liquid inside when exposed to high temperature.
Wood	Wood will dry out when used in the microwave oven and may split or crack.

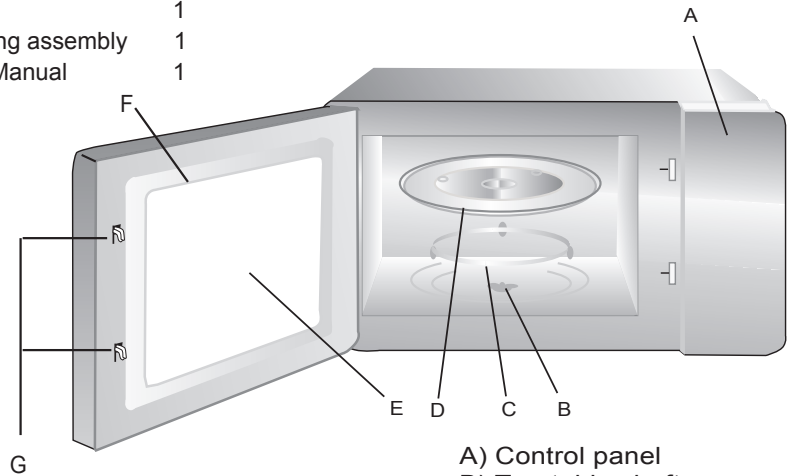
SETTING UP YOUR OVEN

Names of Oven Parts and Accessories

Remove the oven and all materials from the carton and oven cavity.

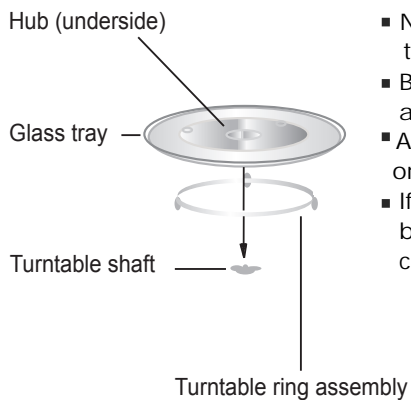
Your oven comes with the following accessories:

Glass tray	1
Turntable ring assembly	1
Instruction Manual	1



- A) Control panel
- B) Turntable shaft
- C) Turntable ring assembly
- D) Glass tray
- E) Observation window
- F) Door assembly
- G) Safety interlock system

Turntable Installation



- Never place the glass tray upside down. The glass tray should never be restricted.
- Both glass tray and turntable ring assembly must always be used during cooking.
- All food and containers of food are always placed on the glass tray for cooking.
- If glass tray or turntable ring assembly cracks or breaks, contact your nearest authorized service center.

Countertop Installation

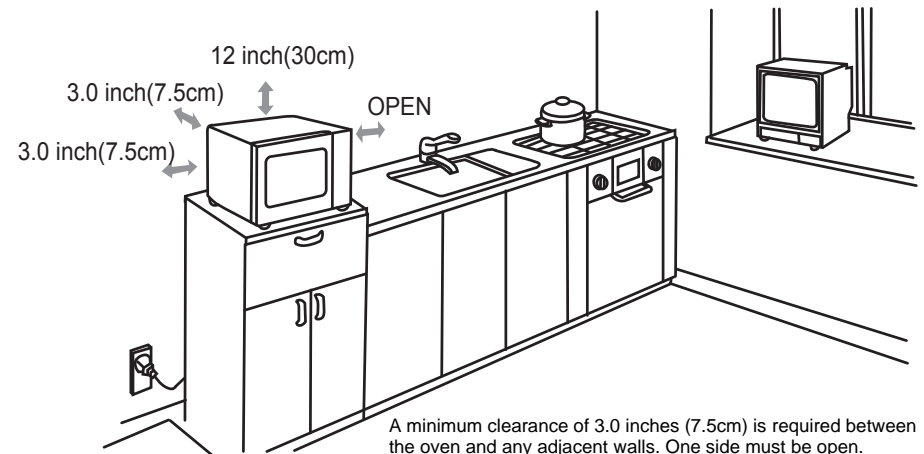
Remove all packing material and accessories. Examine the oven for any damage such as dents or broken door. Do not install if oven is damaged.

Cabinet: Remove any protective film found on the microwave oven cabinet surface.

Do not remove the light brown Mica cover that is attached to the oven cavity to protect the magnetron.

Installation

- ① Select a level surface that provides enough open space for the intake and/or outlet vents.



A minimum clearance of 3.0 inches (7.5cm) is required between the oven and any adjacent walls. One side must be open.

- Leave a minimum clearance of 12 inches (30cm) above the oven.
- Do not remove the legs from the bottom of the oven.

- Blocking the intake and/or outlet openings can damage the oven.
- Place the oven as far away from radios and TV as possible.
- Operation of microwave oven may cause interference to your radio or TV reception.

- ② Plug your oven into a standard household outlet. Be sure the voltage and the frequency are the same as the voltage and the frequency on the rating label.

WARNING: Do not install oven over a range cooktop or other heat-producing appliance. If installed near or over a heat source, the oven could be damaged and the warranty would be void.

OPERATION

1. Power Level

10 power levels are available.

Level	10	9	8	7	6	5	4	3	2	1
Power	100%	90%	80%	70%	60%	50%	40%	30%	20%	10%
Display	PL10	PL9	PL8	PL7	PL6	PL5	PL4	PL3	PL2	PL1

2. Setting the Clock

- Press " **Clock** " once, "00:00" will display.
 - Press the number keys and enter the current time. For example, time is 10:12 now, please press "1,0,1,2" in turn.
 - Press " **Clock** " to finish clock setting. ":" will flash and the clock will be lighted.
 - If the numbers input are not within the range of 1:00--12:59, the setting will be invalid until valid numbers are input.
- Note:** (1) In the process of clock setting, if the " **Off/Cancel** " button is pressed or if there is no operation within 1 minute, the oven will go back to the former setting automatically.
- If the clock needs to be reset, please repeat step 1 to step 3.

CLOCK

3. Cooking

- Press " **COOK TIME** " once, the screen will display "00:00".
- Press number keys to input the cooking time; the maximum cooking time is 99 minutes and 99 seconds.
- Press " **POWER LEVEL** " once, screen will display "PL10". The default power is 100% power. Now you can press number keys to adjust the power level.
- Press " **START/ Enter/Add 30 Sec.** " to start cooking.

COOK TIME

Example: to cook the food with 50% microwave power for 15 minutes.

- Press " **COOK TIME** " once. "00:00" displays.
- Press "1", "5", "0", "0" in order.
- Press " **POWER LEVEL** " once, then press "5" to select 50% microwave power.
- Press " **START/Enter/Add 30 Sec.** " to start cooking.

Note: (1) In the process of setting, if the " **STOP/Clear** " button is pressed or if there is no operation within 1 minute, the oven will go back to the former setting automatically.

* You can skip the third step and cook at 100% microwave power.

TIMER
On/Off

START
Enter
Add 30 sec.

4. Timer

- Press " **Timer** " once, the screen will display 00:00
- Press the number keys and enter the desired time (max cooking time is 99 mins. 99 secs.)
- Press " **START/Enter/Add 30 Sec.** " to confirm settings. Timer begins count down.
- When the set time is up, buzzer will ring 3 times and the screen will display "End".

* Timer and cooking modes (including microwave, defrosting, presets) are independent and can be set while the other is in operation. (You can set timer while cooking or cook while timer is on)

Example: While oven is cooking at 50% power for 15 minutes, the screen displays cooking time count down. You want to set a timer for 10 minutes:

- Press " **Timer** " once, the screen will display 00:00
- Press the number keys and enter the desired time
if nothing is entered in 10 seconds, timer set is canceled and oven returns to counting down cooking time.
- Press " **START/Enter/Add 30 Sec.** " to start timer. Timer counts down on screen. If " **START/Enter/Add 30 Sec.** " is not pressed in 10 seconds, timer is canceled and the oven returns to its previous countdown.
- If Timer finishes before the end of the cooking process, the buzzer sounds 3 times. After the buzzer finishes, the screen will display remaining cooking time.
If the cooking process finishes before the timer, the buzzer sounds 5 times & the screen will display countdown timer. When the timer is up, the buzzer will sound 3 times and the screen will display "End."
- If the cooking process and the timer finish at the same time, the buzzer sounds 5 times and the screen will display "End."

5. Rapid Cooking

- 1) In idle status, you can start Instant Cooking at 100% power level for 30 seconds at a time by pressing "**START/Enter/Add 30 Sec.**" Each subsequent press of the button adds 30 seconds cooking time. The max cooking time allowed is 99 minutes and 99 seconds.
 - 2) In idle status, press the number pad to set cooking time, then press "**START**" to begin cooking at 100% power level.
- ** Note: during microwave cooking and defrost modes, time can be added by pressing "**Add 30 Sec.**" button with ease.

6. Weight Defrost

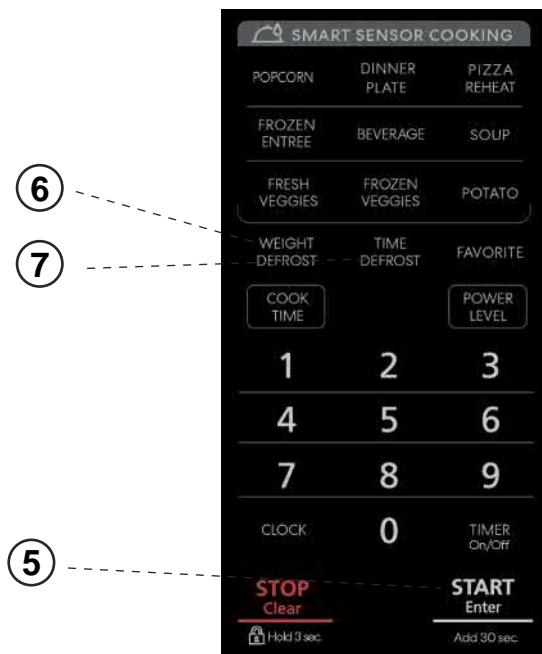
- (1) Press " **Weight Defrost** " once, screen will display "0.0", and "lbs" light.
- (2) Press numerical buttons to input weight to be defrosted. Input the weight ranged between 0.3~6.3lbs. If the weight input is not within 0.3~6.3, the input will be invalid.
- (3) Press " **START/Enter/Add 30 Sec** " to start defrosting and the cooking time remaining will be displayed.

WEIGHT
DEFROST

7. Time Defrost

- (1) Press " **Time Defrost** " once, screen will display "00:00".
- (2) Press number pads to input defrosting time.
- (3) Press " **START/Enter/Add 30 Sec.**" to start defrosting. The remaining cooking time will be displayed.

TIME
DEFROST



8. Presets Menu

- (1) In idle status, press "Popcorn", "Dinner Plate", "Pizza Reheat", "Frozen Entree", "Beverage", "Soup", "Fresh Vegetable", "Frozen Vegetable" or "Potato" to choose the auto menu.
- (2) Press the same pad repeatedly to choose the weight of the food.
- (3) Press " **START/Enter/Add 30 Sec** " to start cooking.

9. Sensor Cook

- (1) In idle status, press "Dinner Plate", "Fresh Vegetable" or "Frozen Vegetable", the screen will display "**SC**".
- (2) Press " **START/Enter/Add 30 Sec** " to start sensor cooking. "SC" will flash in the display.
- (3) The sensor will sound when steaming starts and the remaining time will be displayed.

10. Memory Function

- (1) Press "Favorite" to choose memory 1-3 procedure. The screen will display 1,2,3.
- (2) If the procedure has been set, press " **START/Enter/Add 30 Sec.** " to use it. If not continue to set the procedure. Only one or two stages can be set.
- (3) If the procedure has not been set, after finishing the setting, press " Favorite" once to save the procedure and go back to idle status. If you press " **START/Enter/Add 30 Sec.** " it will start cooking at once and save the procedure too.

Example: to set the following procedure as the second memory, that is memory 2.
to cook the food with 80% microwave power for 3 minutes and 20 seconds.

The steps are as follow:

- a. In idle status, press "Favorite" twice, stop pressing until the screen displays "2".
- b. Press " **COOK TIME** " once, then press "3", "2", "0" in order.
- c. Press " **POWER LEVEL** " once, "PL10" display, then press "8" and "PL8" displays.
- d. Press "Favorite" to save the setting. Buzzer sounds once then turn back to idle status. If you press " **START/Enter/Add 30 Sec.** " again, the procedure will be saved as the memory 2 and operated.
- e. If the electricity is not cut off, the procedure will be saved all the time. If it is, the procedure needs to be reset.
- f. When you want to run the saved procedure, in idle status, press " **Favorite**" twice, screen displays "2", then press " **START/Enter/Add 30 Sec.** " to start cooking

Note: Defrosting and Auto menu can not be set in memory function.

11. Multi-stage cooking

At most 2 stages can be set for cooking. In multi-stage cooking, if one stage is defrosting, then defrosting shall be placed at the first stage automatically.

Note: Auto menu cannot work in the multi-stage cooking.

Example: if you want to cook with 80% microwave power for 5 minutes + 60% microwave power for 10 minutes. The cooking steps are as following:

- (1) Press "COOK TIME " once, then press "5", "0", "0" to set the cooking time;
- (2) Press " POWER LEVEL " once, then press "8" to select 80% microwave power.
- (3) Press "COOK TIME" once, then press "1", "0", "0", "0" to set the cooking time;
- (4) Press " POWER LEVEL " once, then press "6" to select 60% microwave power.
- (5) Press " START/Enter/Add 30 Sec. " to start cooking.

12. Inquiring Function



- (1) In the microwave cooking state, press " POWER LEVEL" to inquire microwave power level, and the current microwave power will be displayed. After three seconds, the oven will turn back to the previous state.
- (2) In cooking state, press " CLOCK ", the oven will display clock for three seconds.

13. English/French Mode

The default language mode is English. To switch language to French; from the idle status, open the door and then press number "1" for 3 seconds. There are only two languages to choose from.

Text	English mode	French mode
End	End	Fin
Door	door	Prte

14. Silence Mode

The default mode is OFF Mode. The buzzer will sound under special circumstances. In the idle status, open the door and press number "2" for 3 seconds to enter Silence Mode. In this mode, the buzzer will not sound.

15. Child Lock Function



Lock: In idle status, press "STOP/Clear" for 3 seconds. There will be a long beep to signal entering Child-Lock state and the lock indicator will light.

The screen will display the current time or "0:00".

Unlock: In locked state, press "STOP/Clear" for 3 seconds. There will be a long beep to signal that lock is released.

16. Door Lock Function

If the oven has been idle for over 5 minutes, it will automatically activate the Door Lock function. You can not press "START" to begin cooking unless you open and close the door again.

Note: The "Timer" function is not affected by the Door Lock function.

17. Cooking Complete Function

When cooking has finished, the buzzer will beep for 5 seconds to signal cooking ended.

18. Other Specifications

The maximum cooking time is 99 minutes and 99 seconds.

When cooking has finished, the screen will display "End" or "Fin". Opening the door or pressing "Off/Cancel" can make the oven enter idle status.

MENU CHART

Menu	Weight	Display
FRESH VEGETABLE	4-16 OZ	SC
PIZZA REHEAT	1 (SLICE)	1
	2	2
	3	3
BAKED POTATO	1 (8.00 Oz)	1
	2	2
	3	3
	4	4
DINNER PLATE	8-16 OZ	SC
BEVERAGE	1 cup (about 8.8 OZ)	1
	2 CUPS	2
SOUP	1	1
	2	2
	3	3
	4	4
FROZEN VEGETABLE	4-16 OZ	SC
FROZEN ENTREE	10 OZ	10 OZ
	20 OZ	20 OZ
POPCORN	1.75 OZ	1.75 OZ
	3.00 OZ	3.00 OZ
	3.3 OZ	3.3 OZ

MAINTENANCE

Troubleshooting

Check your problem by using the chart below and try the solutions for each problem. If the microwave oven still does not work properly, contact the nearest authorized service center.

TROUBLE	POSSIBLE CAUSE	POSSIBLE REMEDY
Oven will not start	<ul style="list-style-type: none"> a. Electrical cord for oven is not plugged in. b. Door is open. c. Wrong operation is set. 	<ul style="list-style-type: none"> a. Plug into the outlet. b. Close the door and try again. c. Check instructions.
Arcing or sparking	<ul style="list-style-type: none"> a. Materials to be avoided in microwave oven were used. b. The oven is operated when empty. c. Spilled food remains in the cavity. 	<ul style="list-style-type: none"> a. Use microwave-safe cookware only. b. Do not operate with oven empty. c. Clean cavity with wet towel.
Unevenly cooked foods	<ul style="list-style-type: none"> a. Materials to be avoided in microwave oven were used. b. Food is not defrosted completely. c. Cooking time, power level is not suitable. d. Food is not turned or stirred. 	<ul style="list-style-type: none"> a. Use microwave-safe cookware only. b. Completely defrost food. c. Use correct cooking time, power level. d. Turn or stir food.
Overcooked foods	<ul style="list-style-type: none"> Cooking time, power level is not suitable. 	<ul style="list-style-type: none"> Use correct cooking time, power level.
Undercooked foods	<ul style="list-style-type: none"> a. Materials to be avoided in microwave oven were used. b. Food is not defrosted completely. c. Oven ventilation ports are restricted. d. Cooking time, power level is not suitable. 	<ul style="list-style-type: none"> a. Use microwave-safe cookware only. b. Completely defrost food. c. Check to see that oven ventilation ports are not restricted. d. Use correct cooking time, power level.
Improper defrosting	<ul style="list-style-type: none"> a. Materials to be avoided in microwave oven were used. b. Cooking time, power level is not suitable. c. Food is not turned or stirred. 	<ul style="list-style-type: none"> a. Use microwave-safe cookware only. b. Use correct cooking time, power level. c. Turn or stir food.

IMPORTANT

Do Not Return This Product To The Store If
you have a problem with this product, please contact
Cosmo Customer Support at

1-888-784-3108.

DATED PROOF OF PURCHASE, MODEL #, AND SERIAL #
REQUIRED FOR WARRANTY SERVICE

IMPORTANT

Ne pas Réexpédier ce Produit au Magasin
Pour tout problème concernant ce produit, veuillez contacter
le service des consommateurs Cosmo Customer Support au

1-888-784-3108.

UNE PREUVE D'ACHAT DATEE EST REQUISE POUR BENEFICIER DE LA GARANTIE.

IMPORTANTE

No regrese este producto a la tienda
Si tiene algún problema con este producto, por favor contacte el
AYUDA AL CLIENTE COSMO al

1-888-784-3108

(Válido solo en E.U.A).

NECESITA UNA PRUEBA DE DE COMPRA FECHADA, NÚMERO DE
MODELO Y DE SERIE PARA EL SERVICIO DE LA GARANTÍA



APPLIANCES

WARRANTY AND SERVICE

For full warranty details on this product please
visit:

<http://www.cosmoappliances.com/warranty>

TO RECEIVE WARRANTY SERVICE, YOUR
PRODUCT MUST BE REGISTERED. TO REGISTER,
VISIT:

WWW.COSMOAPPLIANCES.COM/WARRANTY

SCAN TO REGISTER





Cosmo is constantly making efforts to improve the quality and performance of our products, so we may make changes to our appliances without updating this manual.

Electronic version of this manual is available at:
www.cosmoappliances.com