



CR SERIES INSTALLATION INSTRUCTIONS



PERLICK COLLECTION 24" AND 30" COLUMN REFRIGERATION

To prevent appliance damage and injury, read these instructions thoroughly prior to installation.



CONTENTS

- 3** Safety Considerations
- 4** Prior to Installation
- 4** Opening Dimensions (Single and Dual)
- 5** Niche/Product Dimensions, Installing adjacent to wall
- 6** Electrical
- 6** Anti-tip Bracket
- 6** Installing 90° Hinge Pin
- 7** Leveling/Alignment
- 10** Door/Side Panel Information
- 16** Door Panel Installation/Adjustment
- 18** Air Flow Divider
- 18** Door Trim Installation
- 19** Completion- Grill Installation
- 20** Toe Kick Clearance
- 21** Installing Filters

INTRODUCTION

Congratulations on your purchase of a Perlick Collection column refrigeration appliance. This manual has been prepared to assist you in the installation of your column refrigerator, freezer and wine reserve.

We dedicate considerable time to ensure that our products provide the highest level of customer satisfaction. We thank you for selecting Perlick products for your home and assure you of our continuing interest in your satisfaction.

WARRANTY REGISTRATION

To register your Perlick product, visit our website at **www.perlick.com/RegisterMyPerlick** and fill out the form. Once completed, click on the 'Submit Warranty Registration'. Be sure to register your product immediately upon installation to receive the warranty from installation date instead of shipment date. If left blank, the date will revert back to shipment date.

PRODUCT IDENTIFICATION PLATE

Your product information can be found on the product's identification plate. The identification plate for CR24 and CR30 column refrigeration models is located on the sidewall behind the toe kick plate. To access the identification plate, simply remove the toe kick plate (grill). The identification plate will be adhered to the right sidewall.

SAFETY CONSIDERATIONS**IMPORTANT SAFETY INFORMATION**

Please review the following safety precautions and read all instructions prior to product installation. After the completion of installation, keep these instructions in a safe place for future reference.

Please take special care when reading the highlighted information in this guide. This information is coded as follows:

⚠ DANGER This indicates that a hazardous situation may occur when instructions are not followed. It is imperative that directions in this guide are followed to prevent possible serious injury or death.

⚠ WARNING This indicates a situation where minor injury, product or cabinet damage may occur if the following instructions are not followed.

⚠ CAUTION This highlights information that is of significant importance.

SAFETY PRECAUTIONS

Please take note of the following safety precautions prior to moving, unpacking and installing your Perlick column.

⚠ DANGER Take care when handling, moving or using the refrigerated cabinet to avoid damaging the refrigerant tubing. Damaging the refrigerant tubing increases the risk of leakage and can be dangerous.

⚠ DANGER Perlick columns weigh up to 550 lbs. Take special care when moving to prevent serious injury.

⚠ DANGER Perlick columns are top heavy. It is important that the door is secured closed until installed. Install as directed to prevent tipping.

⚠ DANGER Do not use or store flammable liquids (ie; gasoline) or vapors near appliances.

⚠ DANGER Inspect the electrical cord and plug for damage prior to plugging the unit in.

⚠ DANGER In the event that service is necessary, repair work must be performed by a Perlick authorized servicer as to minimize the risk of possible ignition due to incorrect parts or improper service. Work done by unqualified individuals could potentially be dangerous and will void the warranty. Component parts will be replaced with like components from Perlick.

⚠ NOTICE This product contains blown foam insulation Using blowing agent R-611-(Methyl Formate). The foam in this product does not contain HFC's, CFC's, or HCFC's.

PRIOR TO INSTALLATION
PRIOR TO INSTALLATION

CAUTION Before beginning installation, carefully inspect the cabinet for hidden damage. If damage is discovered, immediately file a claim with the transportation company. Perlick is not responsible for damage in transit.

CAUTION When moving the unit, be sure to protect finished flooring with appropriate material to avoid damage from moving the appliance.

CAUTION If the unit has been laid on its back or sides, place unit upright and allow minimum of 24 hours before connecting the unit. Failure to do so can affect the function and performance of the appliance.

CAUTION This appliance should be installed in dry, ventilated indoor location. The ambient temperature of the location must be between 55°F (13°C) and 100°F (43°C) for optimal performance.

CAUTION This product must be installed on a level floor for safety and optimal performance. The base must be flat to ensure anti-tip brackets properly function and that the refrigeration system is level. Any walls and surrounding furniture/fixtures need to be securely attached to the floor, wall studs or concrete prior to installation of the column.

CAUTION To ensure proper performance, the air intake (toe kick) must not be blocked. Perlick refrigeration is front-breathing — covering the intake will cause the system to overheat and fail.

CAUTION Perlick column doors open to 105°. When installing a panel thicker than ¾" (19), or if located next to adjacent wall, the 90° hinge stop pin may be required to prevent damage to the unit and adjacent cabinetry/walls. This hinge pin **must** be installed prior to full integration.

In addition, the appliance must not be in direct exposure of constant sunlight or excessive heat. If it must be installed next to a heat source, such as a cooking appliance or radiant heat, you must install an insulating plate between the column and heat source.

When fully stocked, Perlick column refrigeration is very heavy. To ensure the safety and prevent home damage, the load-bearing capacity of your floor must be 846 lbs (384 kg).

INSTALLATION TOOLS AND MATERIALS

- Screwdrivers (standard and #2 Phillips)
- Power drill
- Drill bits
- 13mm socket or wrench set
- 2' and 4' levels
- Material to protect flooring and surrounding cabinetry

OPENING DIMENSIONS - SINGLE UNIT

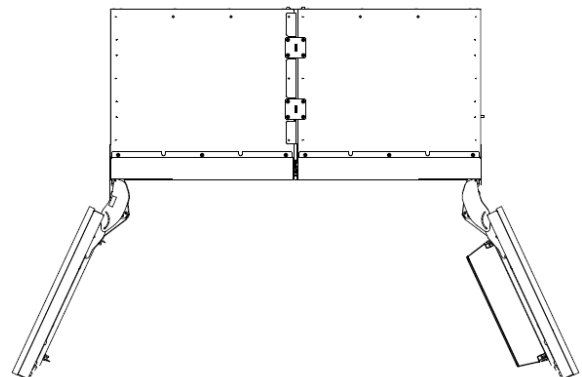
The depth of each Perlick column is 24" (610). Allow for panel thickness when planning the finished opening depth. A minimum of a 4" (102) finished return is required on all sides of the opening. See page 5 for niche and product dimension drawings.

It is important that the side walls of the niche are plumb prior to installation. The minimum thickness of both the side walls and the top wall must be 5/8" (16). A thickness of 3/4" (19) is recommended for toe kick panels.

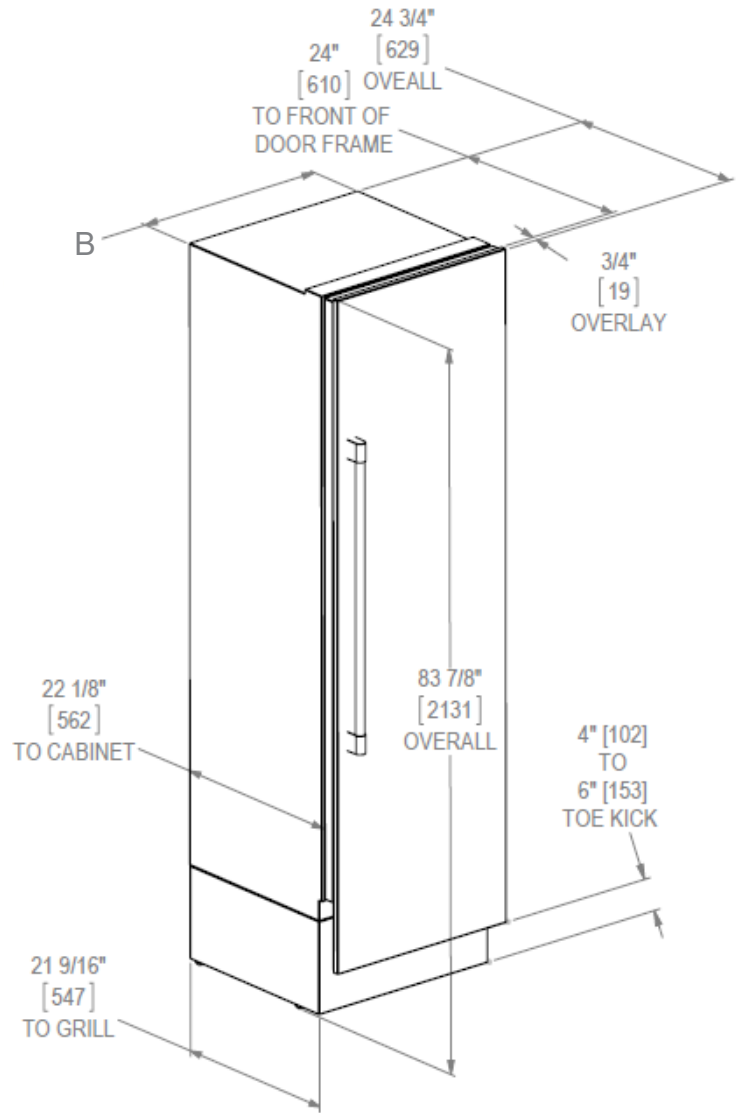
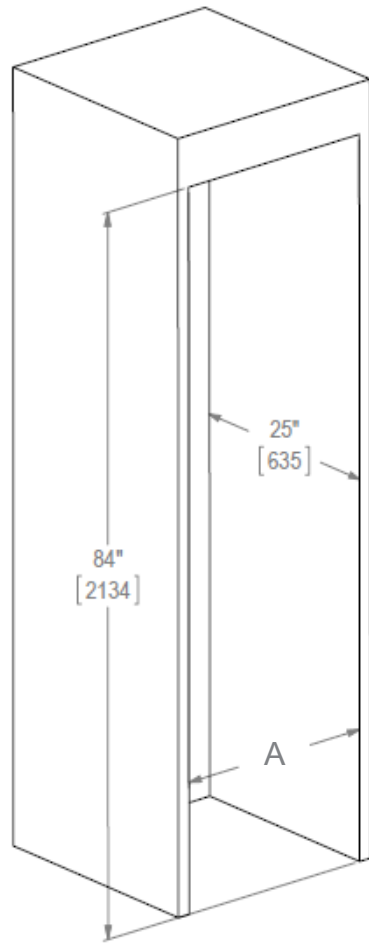
Framed cabinets will require additional finished filler material behind the face frame for a proper installation. Refer to the illustration on page 5.

OPENING DIMENSIONS - TWO UNITS

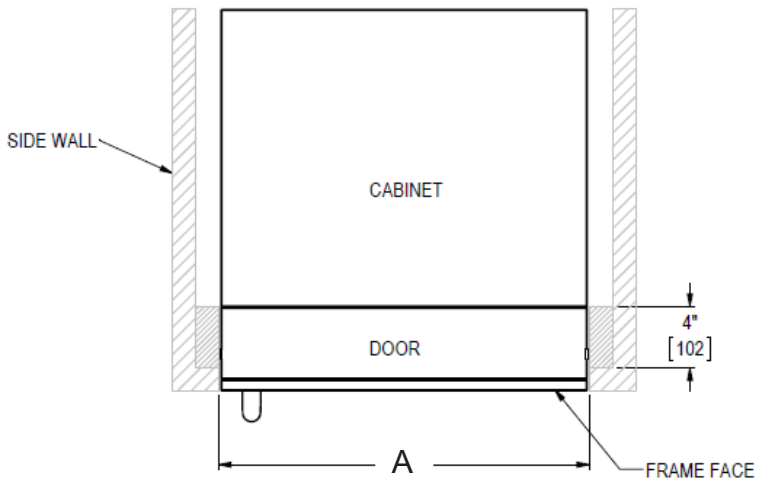
When installing two units side-by-side, a Perlick Dual Installation Kit (part number CR-ACC-D1) is required. You must plan for both units plus dual installation kit when planning the cut-out dimensions. **The cutout width for a dual CR24 installation is 48". The cutout width for a dual installation consisting of one CR24 and one CR30 is 54-1/2".** For more information, see instructions that accompany the CR-ACC-D1.



NICHE / PRODUCT DIMENSIONS



PLEASE NOTE: When installing column adjacent to wall, a 2" clearance is required if door is opening towards the wall



A	
CR24	24" (610)
CR30	30" (762)

B	
CR24	23 - 3/4" (604)
CR30	29 - 3/4" (756)

ELECTRICAL / ANTI-TIP BRACKET / PRODUCT PLACEMENT

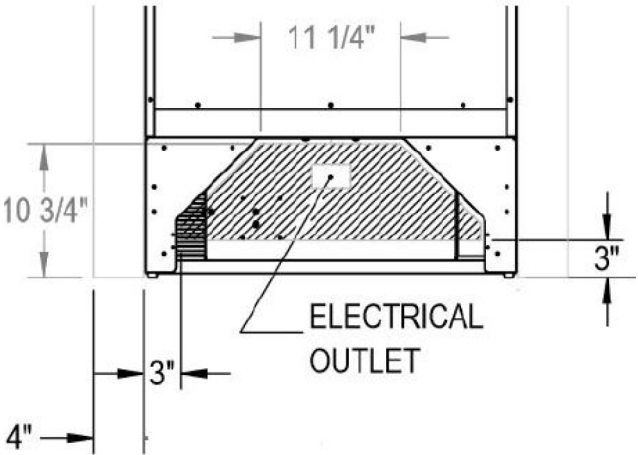
ELECTRICAL

⚠ DANGER Serious electrocution hazard. Electrical grounding is required. This appliance is equipped with a 3-prong (grounding) polarizing plug for your protection against possible shock hazards. Failure to comply with these electrical guidelines may result in possible death or serious injury, fire or loss of property.

WARNING Never use an extension cord to connect unit to electrical source. Do not use a two-prong adapter or remove the power cord grounding prong.

Installation must comply with all applicable electrical codes. The electrical supply must be located within the shaded area of the illustration below. A separate circuit, servicing only this appliance, is required. A ground fault circuit interrupter (GFCI) is not recommended and may cause interruption of operation. The outlet should be placed in the hatched area dimensioned below.

Electrical Supply	115V, 60 Hz., Phase 2, 3.3 amps
Service	Dedicated 15 amp circuit
Power/Cord Type/ Length	NEMA 5-15P w/5' power cord



PLACEMENT

CAUTION Before moving unit into position, secure the door closed and protect any finished flooring.

Use an appliance dolly to move the unit near the opening.

ANTI-TIP BRACKET

WARNING To prevent the unit from tipping forward, the anti-tip bracket must be installed. Use all anti-tip bracket hardware as instructed. Level as instructed on page 7 prior to installing anti-tip bracket(s)

The anti-tip bracket and supporting hardware is included with your unit. Please note that four anti-tip brackets are required for each unit or dual installation. In the case of dual installation, each individual unit must be outfitted with the two anti-tip brackets on cabinet sides for a total of four.

For drawings of the anti-tip bracket installation on integrated (built-in) units, see page 8. For drawings of the anti-tip bracket installation on freestanding units, see page 9.

WARNING Verify there are no electrical wires or plumbing in the area which the screws could penetrate.

CAUTION Always wear safety glasses and use other necessary protective devices or apparel when installing or working with anchors. Anchors are not recommended for use in lightweight masonry material such as block or brick, or for use in new concrete which has not had sufficient time to cure. The use of core drills is not recommended to drill holes for anchors.

90° HINGE STOP

Perlick column doors open to 105°. When installing a panel thicker than 3/4" (19), or if located next to adjacent wall, the 90° hinge stop pin may be required to prevent damage to the unit and adjacent cabinetry/walls. This hinge pin must be installed prior to full integration.

1. Remove the cabinet hinge trim cover by removing the three Phillips head fasteners located on the top of the cabinet. Lift the rear of trim cover to tilt trim cover to disengage tab on right and left end of trim cover. Slide forward to remove.
2. Open cabinet door approximately 45° to 85° to expose hole under hinge guard. Install hinge pin into hole. Ensure hinge pin is fully seated to top of hinge to prevent damage to hinge guard.
3. Reattach the cabinet hinge trim piece. Slide front bottom of hinge trim cover under reed switch. Tilt trim cover to engage right and left end tab into cabinet. Install the three fasteners.

LEVELING / ALIGNMENT

LEVELING/ALIGNMENT

Move the unit near the opening. Plug the power cord into the grounded outlet and roll the unit into position. Push unit into place.

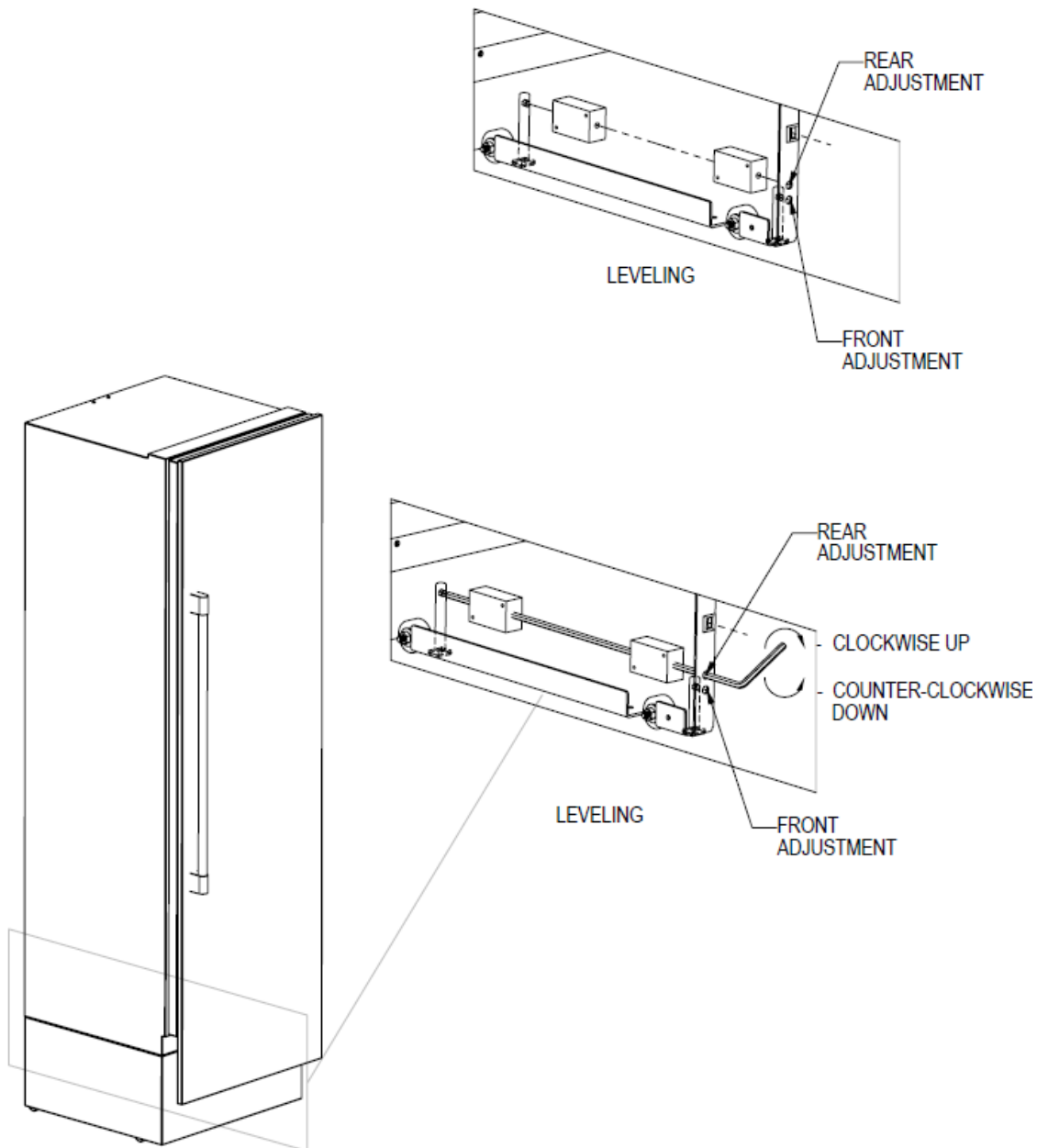
Front and rear leveling legs can be adjusted from the front once the unit is positioned. To access leveling adjustment access holes, remove toe kick grill.

Once the unit is in position, height adjustment can be made from the front. Using the hex driver leveling tool, turn clockwise to raise the unit or counterclockwise to lower. Refer to the illustration below.

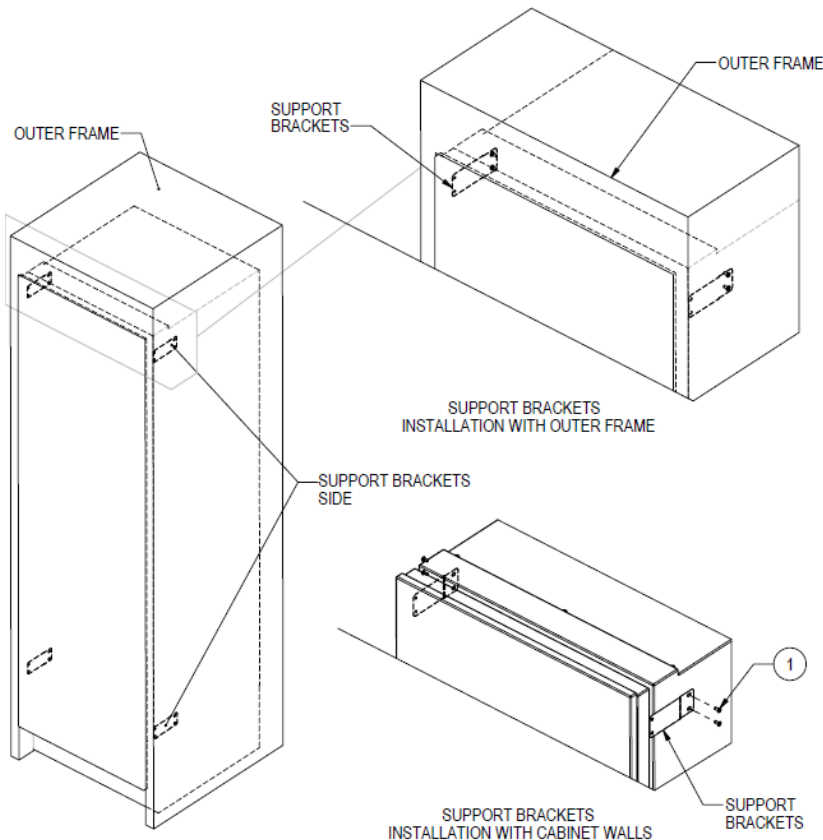
When the unit is properly leveled, door adjustments are less likely to be needed.

WARNING To reduce the possibility of the unit tipping forward, the front leveling legs must be in contact with the floor.

CAUTION The refrigerated cabinet should be level for proper operation, such as door closing, drawer and shelf slide operation.

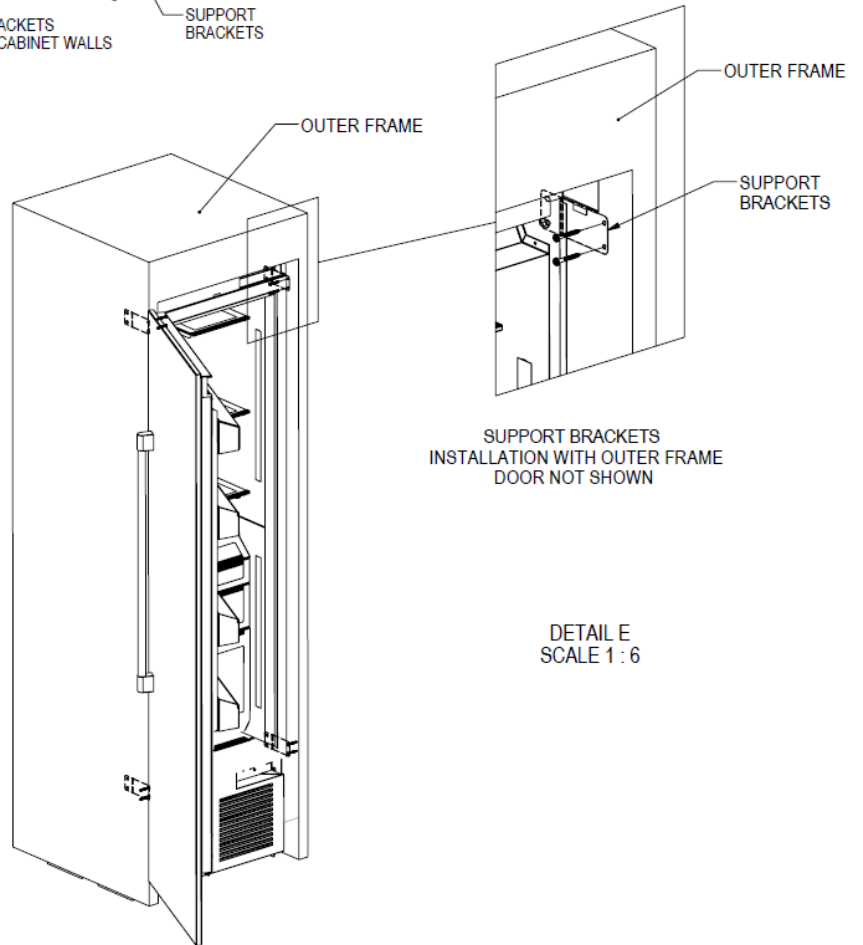


ANTI-TIP BRACKET INSTALLATION FOR INTEGRATED INSTALLATION



POSITIONS FOR SUPPORT BRACKETS

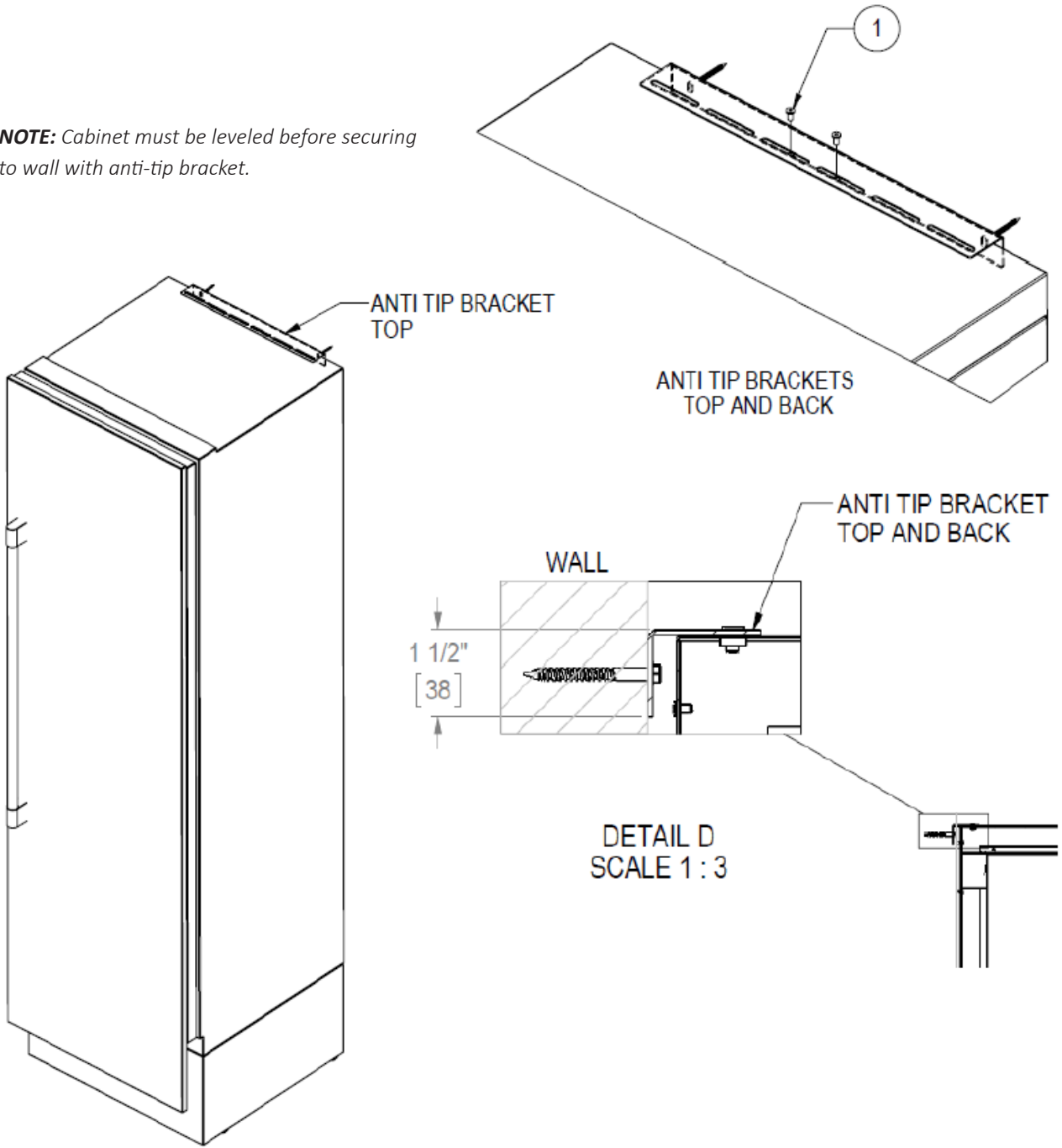
NOTE: Do not fasten anti-tip brackets to adjacent cabinetry until the cabinet has been leveled.



DETAIL E
SCALE 1 : 6

ANTI-TIP BRACKET INSTALLATION FOR FREESTANDING INSTALLATION

NOTE: Cabinet must be leveled before securing to wall with anti-tip bracket.



**DOOR / SIDE PANEL INFORMATION****DOOR PANELS**

Perlick column refrigeration comes ready to accept a customer supplied overlay door panel and customer supplied handle. Stainless steel door panels and Perlick handles are also available, and are sold separately of the unit itself. Stainless steel panels and handles can be purchased through an authorized Perlick dealer.

STAINLESS STEEL DOOR PANELS

Stainless steel door panels for solid and glass door models are available through an authorized Perlick dealer. Panels are constructed of 304 stainless steel (front) and 430 (back plate) and have a thickness of 3/4" (19). Always allow for panel thickness when planning the finished opening depth.

Stainless steel panels come pre-drilled for a Perlick handle. Please note that the Perlick Pro Handle is included with the purchase of a stainless steel panel.

CUSTOM OVERLAY DOOR PANEL

Perlick columns come ready to accept customer-supplied door panel and handle hardware. The thickness of the custom panel can vary. A minimum 5/8" (16) thick panel is required, but the thickness can be increased provided it does not exceed the maximum panel weight is 65 lbs (29). Please note that the combined door and overlay weight cannot exceed 242 lbs (110). The depth of each model is 24" (610) without a finished overlay. Allow for panel thickness when planning the finished opening depth. Templates for 4" and 6" solid and glass door models can be found on pages 11-14.

Reveals between panels can vary – 1/8" (3) is the minimum.

CAUTION When installing a panel thicker than 3/4" (19), the 90° stop may be required to prevent damage to the unit and adjacent cabinetry.

CAUTION As reveals between cabinetry and the unit decrease, severe finger pinching can occur while the door is closing.

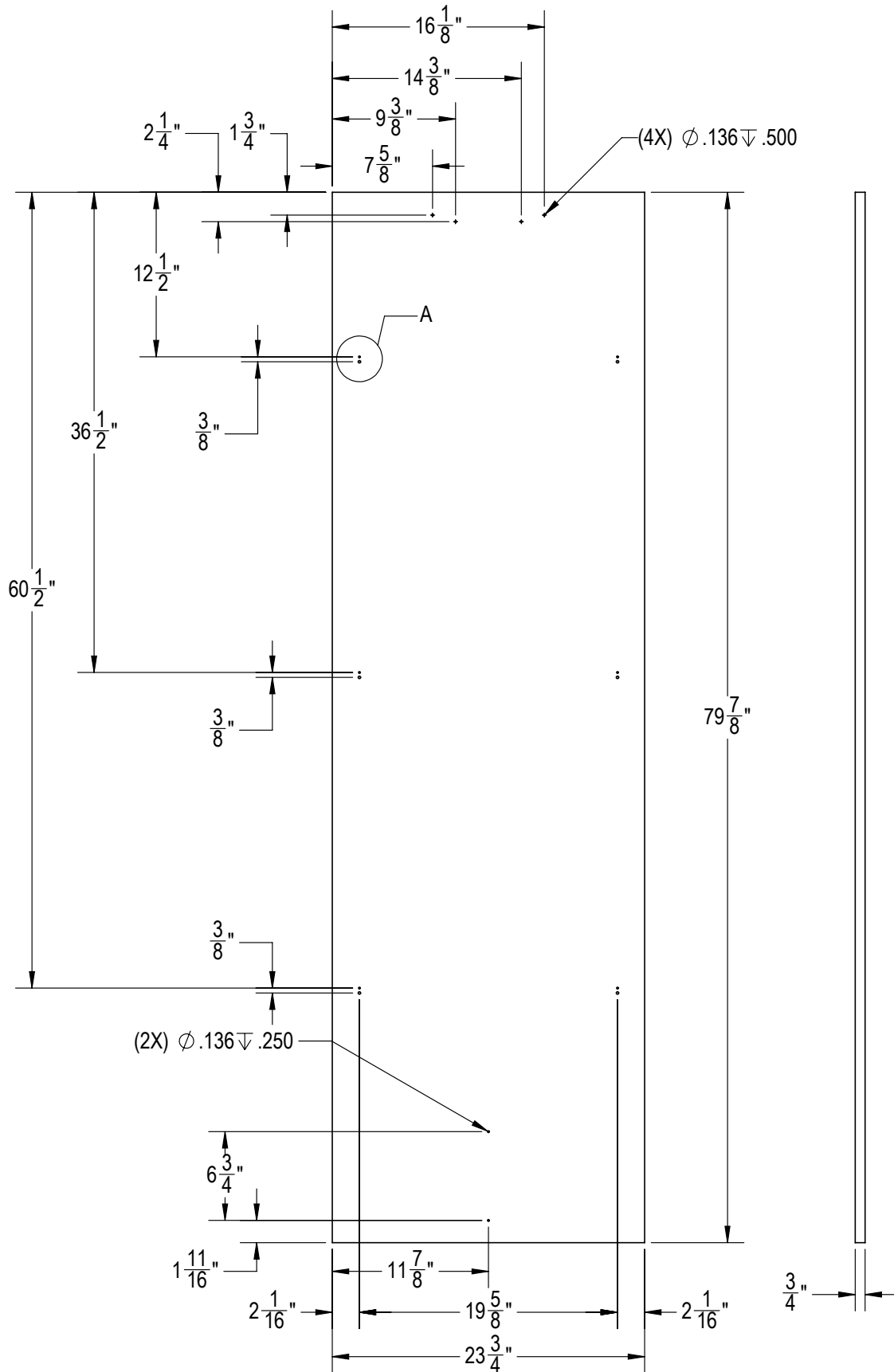
Finish sides of surrounding cabinetry — they will be visible when the door is open. The height of the custom door panel can extend beyond the typical panel height provided the door and overlay combined do not exceed 242 lbs (110) .

See page 15 for screw zone for overlay panels. Hatch areas should provide enough thickness for wood screw and overlay attachment brackets.

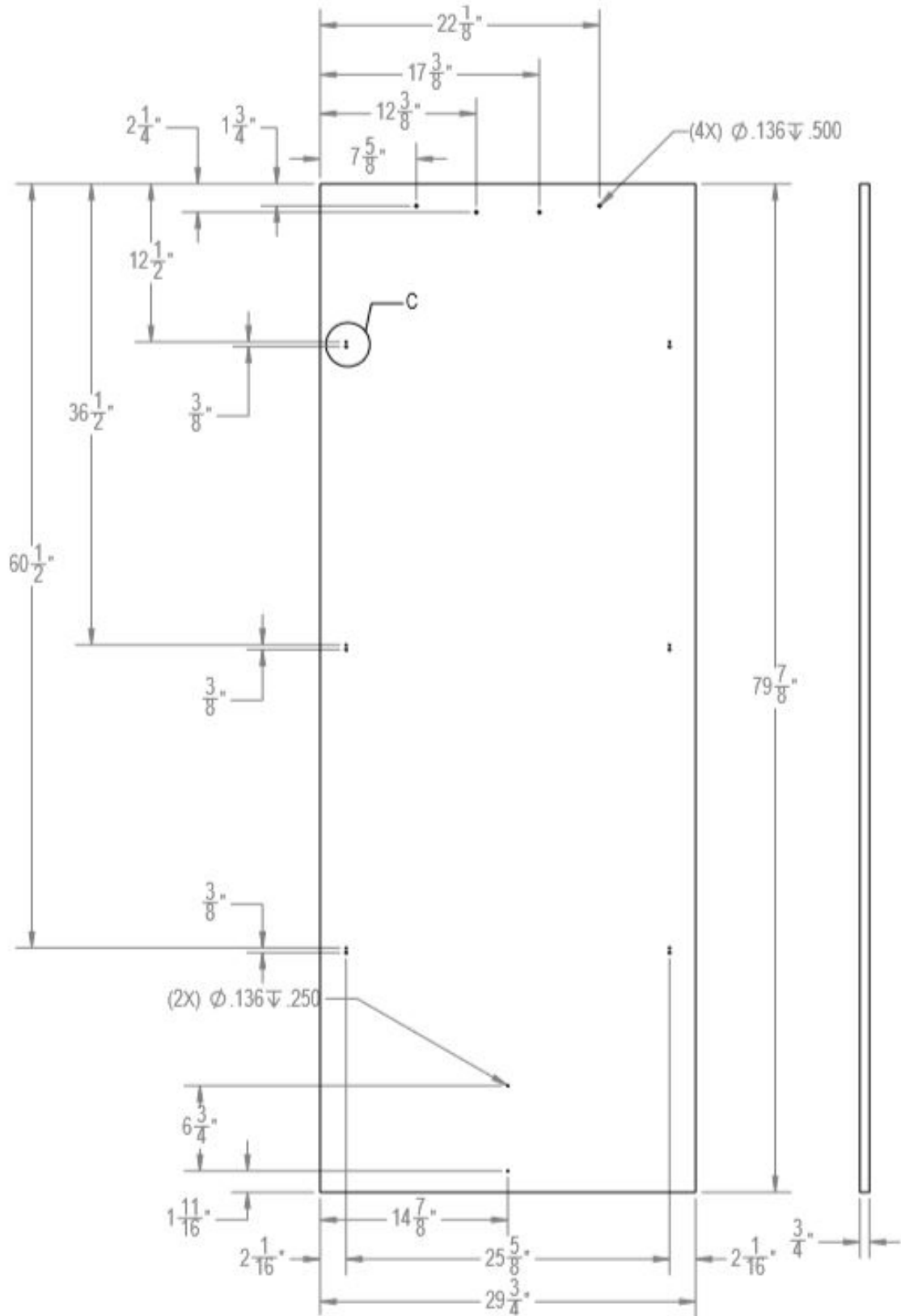
SIDE PANELS

Units that are freestanding or partially built-in need to be finished with custom panels. Custom panels can be built to customer specifications to match surrounding cabinetry.

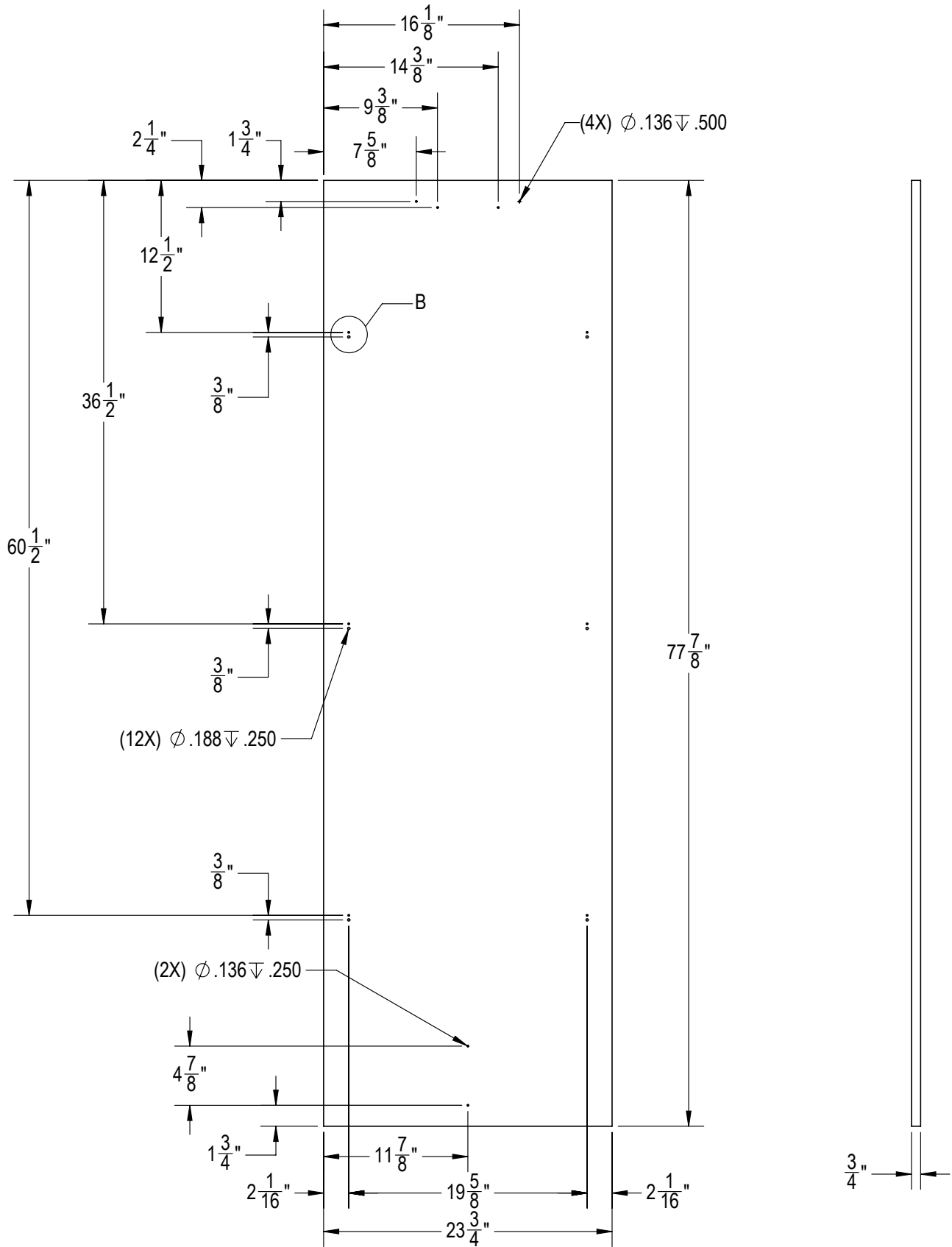
CR24 SOLID DOOR TEMPLATE FOR 4" TOE KICK

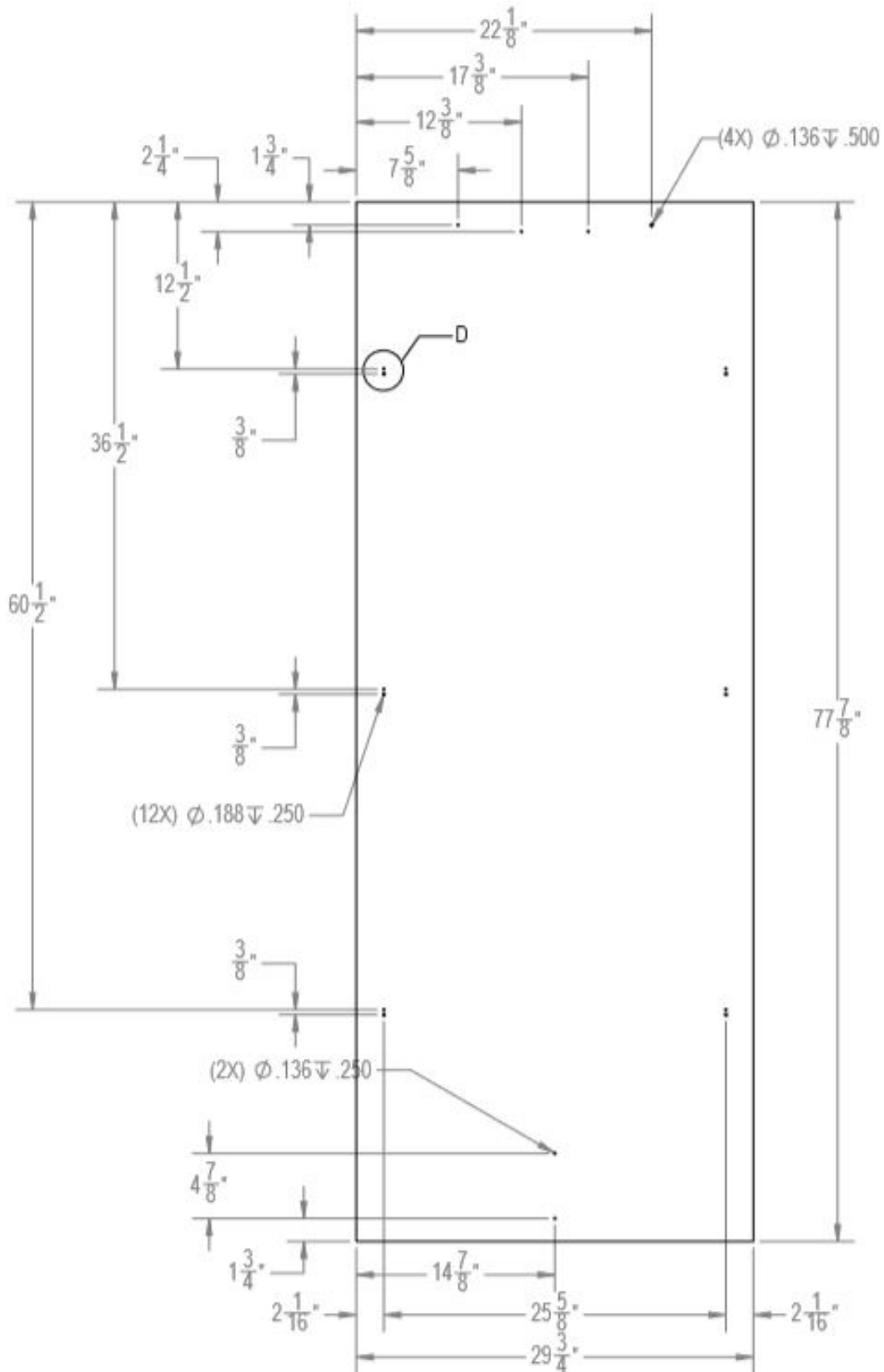


CR30 SOLID DOOR TEMPLATE FOR 4" TOE KICK

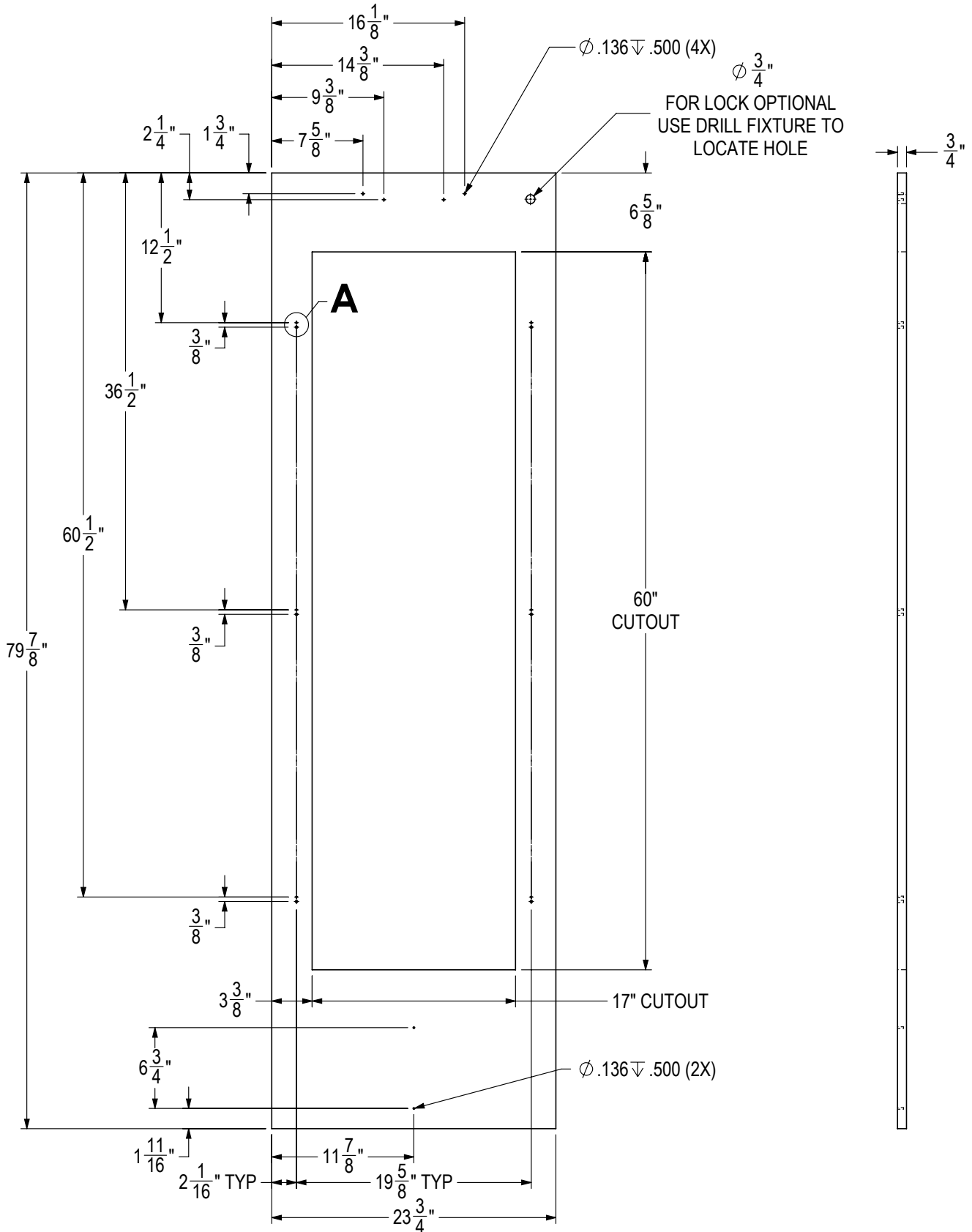


CR24 SOLID DOOR TEMPLATE FOR 6" TOE KICK

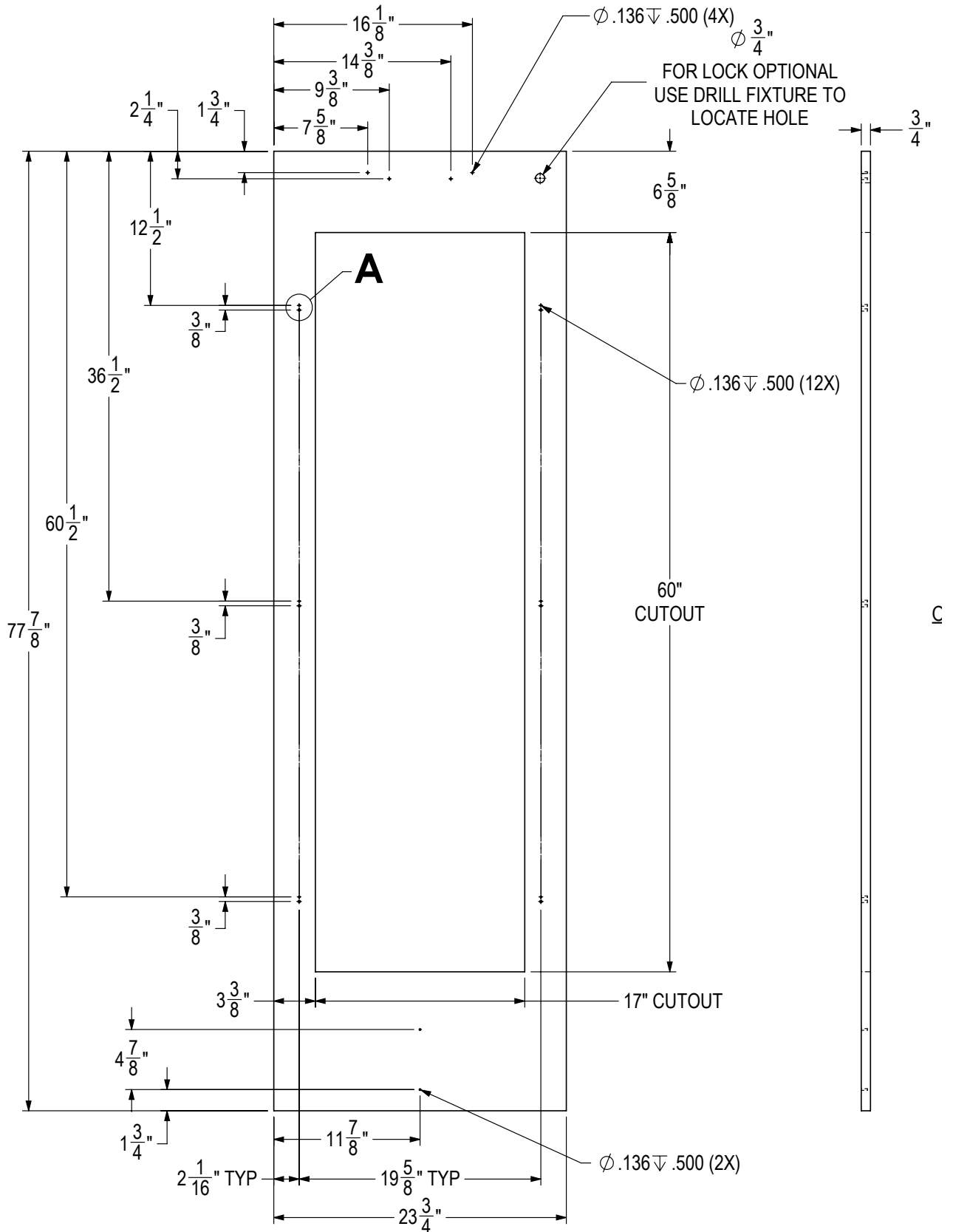


CR30 SOLID DOOR TEMPLATE FOR 6" TOE KICK


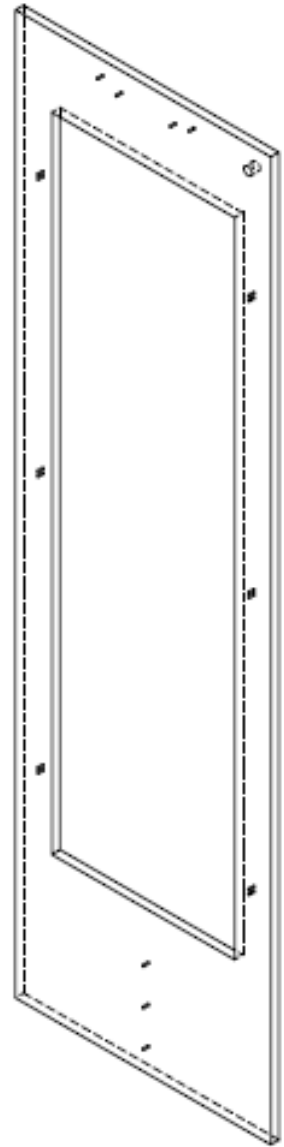
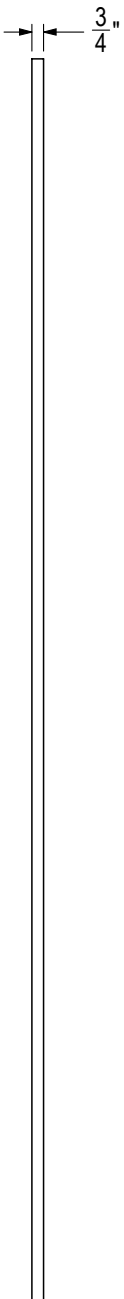
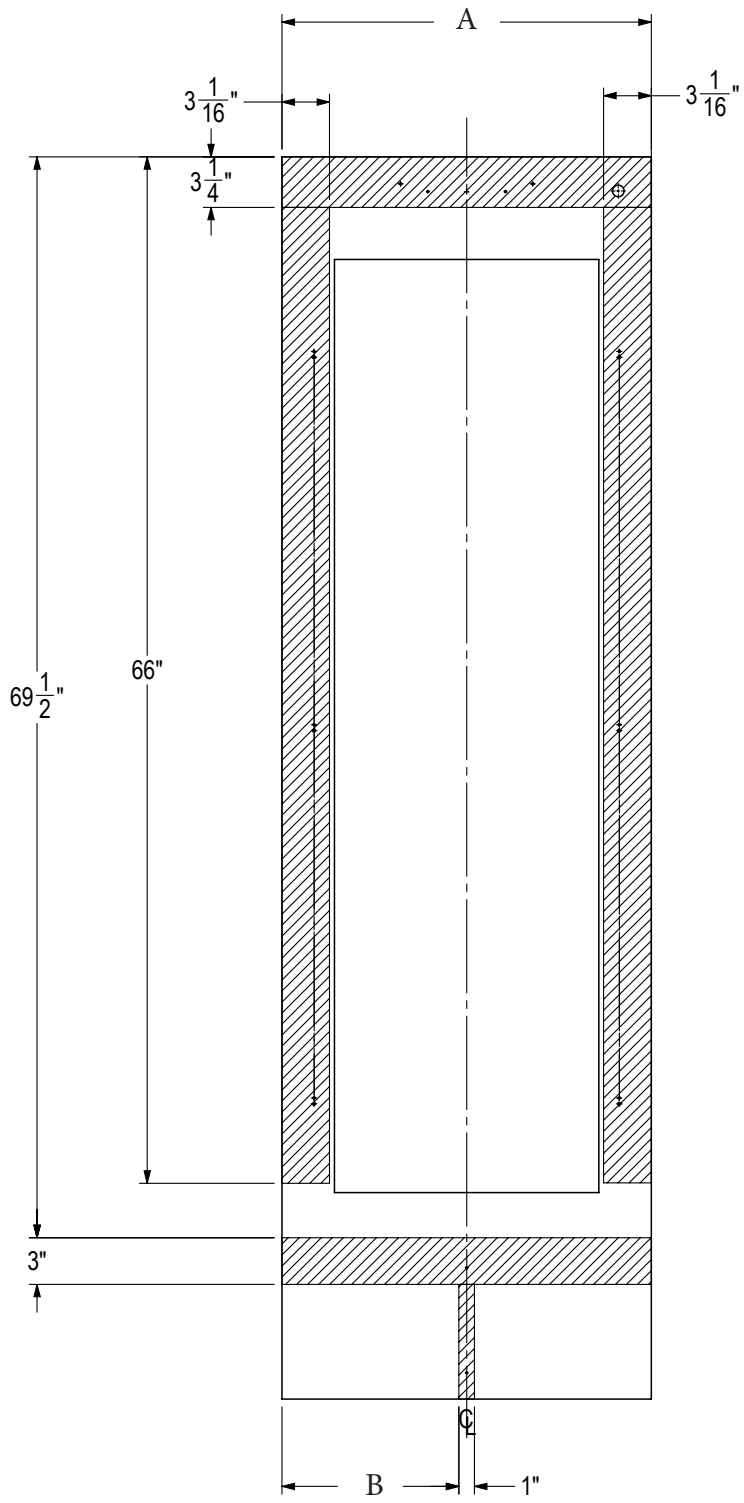
CR24 GLASS DOOR TEMPLATE FOR 4" TOE KICK



CR24 GLASS DOOR TEMPLATE FOR 6" TOE KICK



SCREW ZONE FOR CR24 AND CR30 OVERLAY TEMPLATES



NOTE: HATCH AREAS SHOULD PROVIDE ENOUGH THICKNESS FOR WOOD SCREWS FOR OVERLAY ATTACHMENT BRACKET.

A	
CR24	23-3/4"
CR30	29-3/4"

B	
CR24	11-3/8"
CR30	14-3/8"

INSTALLING DOOR OVERLAY PANELS

DOOR PANEL INSTALLATION

Typical panel dimensions are based on 84" (2134) finished height with 1/8" (3) reveals. Template must be adjusted for panels exceeding typical dimensions.

Place panel face down on a protected work surface. Attach six clips to the back of overlay in locations indicated in wood overlay drawing below.

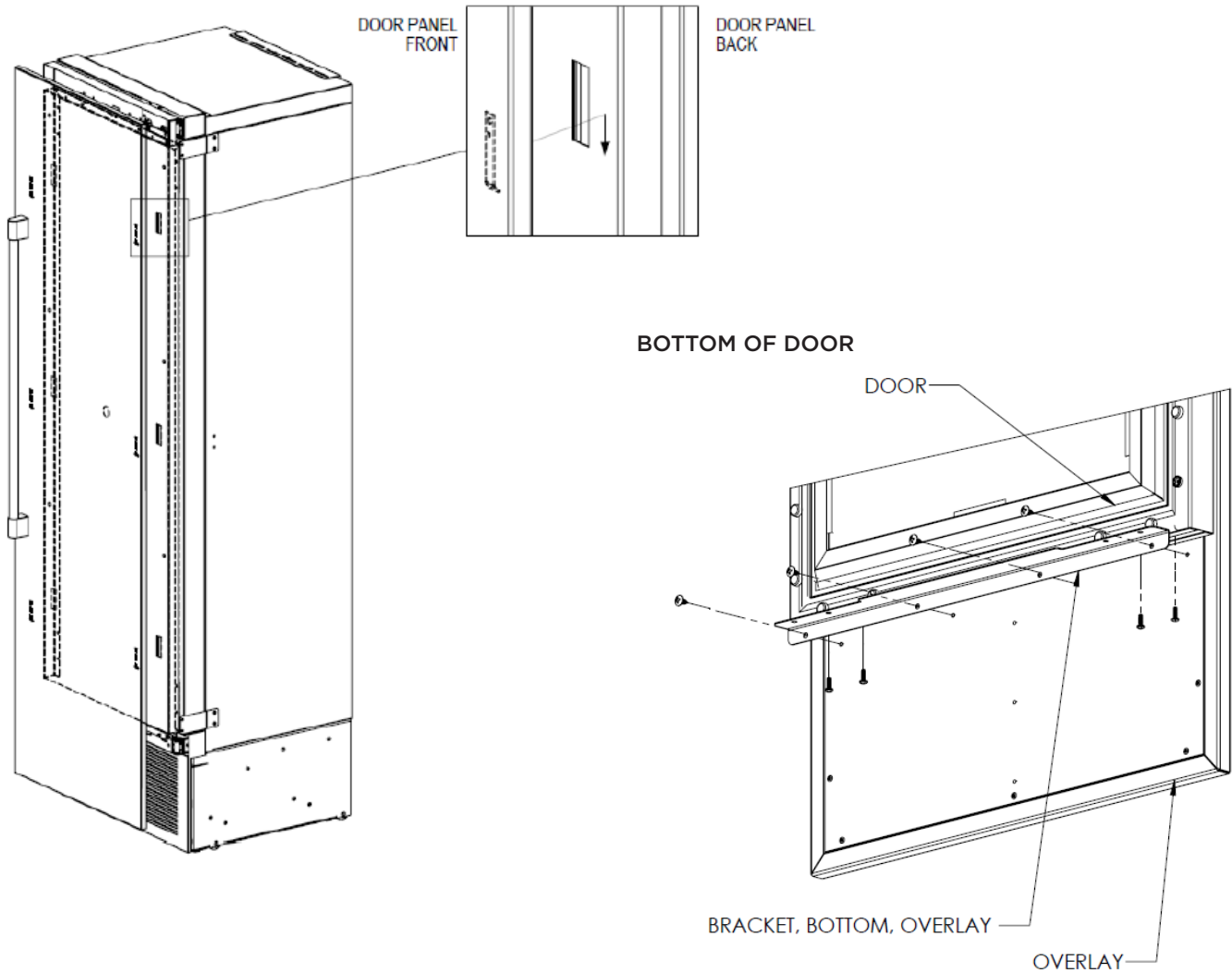
Use provided #10 x 1/2" screws to attach clips to overlay. Overlay then slides onto door face. Attach overlay to door adjustment brackets using remaining #10 x 1/2" screws. Once mounted, adjust overlay to match adjacent cabinetry.

DOOR OVERLAY PANEL ADJUSTMENT

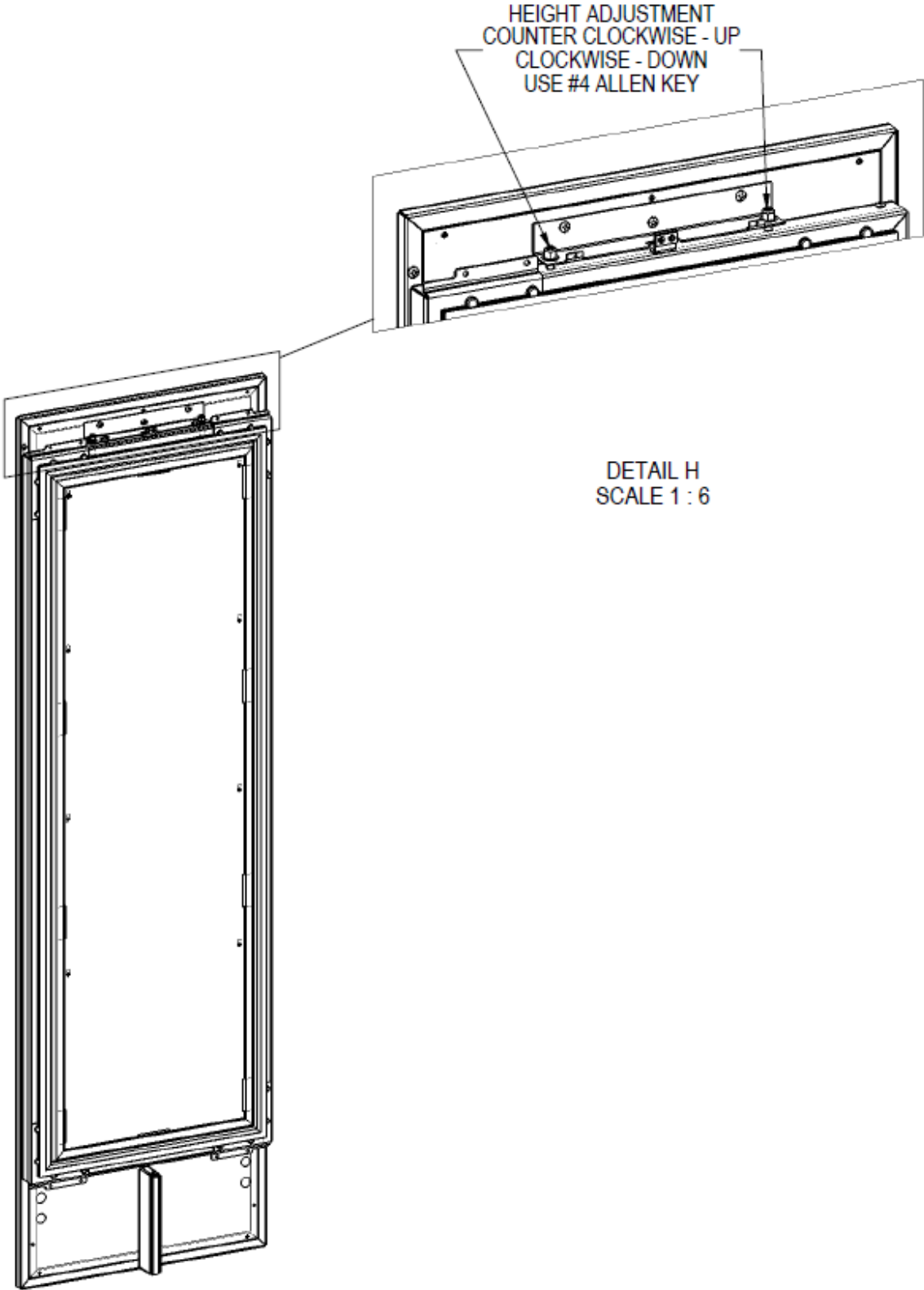
Close the door to make adjustments to align panels and reveals.

For up and down adjustments, turn the height adjustment screws in the top bracket (see Top of Door illustration on page 17) in and out. Adjust the screws as needed to achieve an even reveal on each side of the door overlay.

Once final adjustments are made to the position of the door overlay, secure the overlay in place by installing the bottom overlay brackets as shown in Bottom of Door illustration below.



TOP OF DOOR ILLUSTRATION



DOOR TRIM INSTALLATION

AIRFLOW DIVIDER

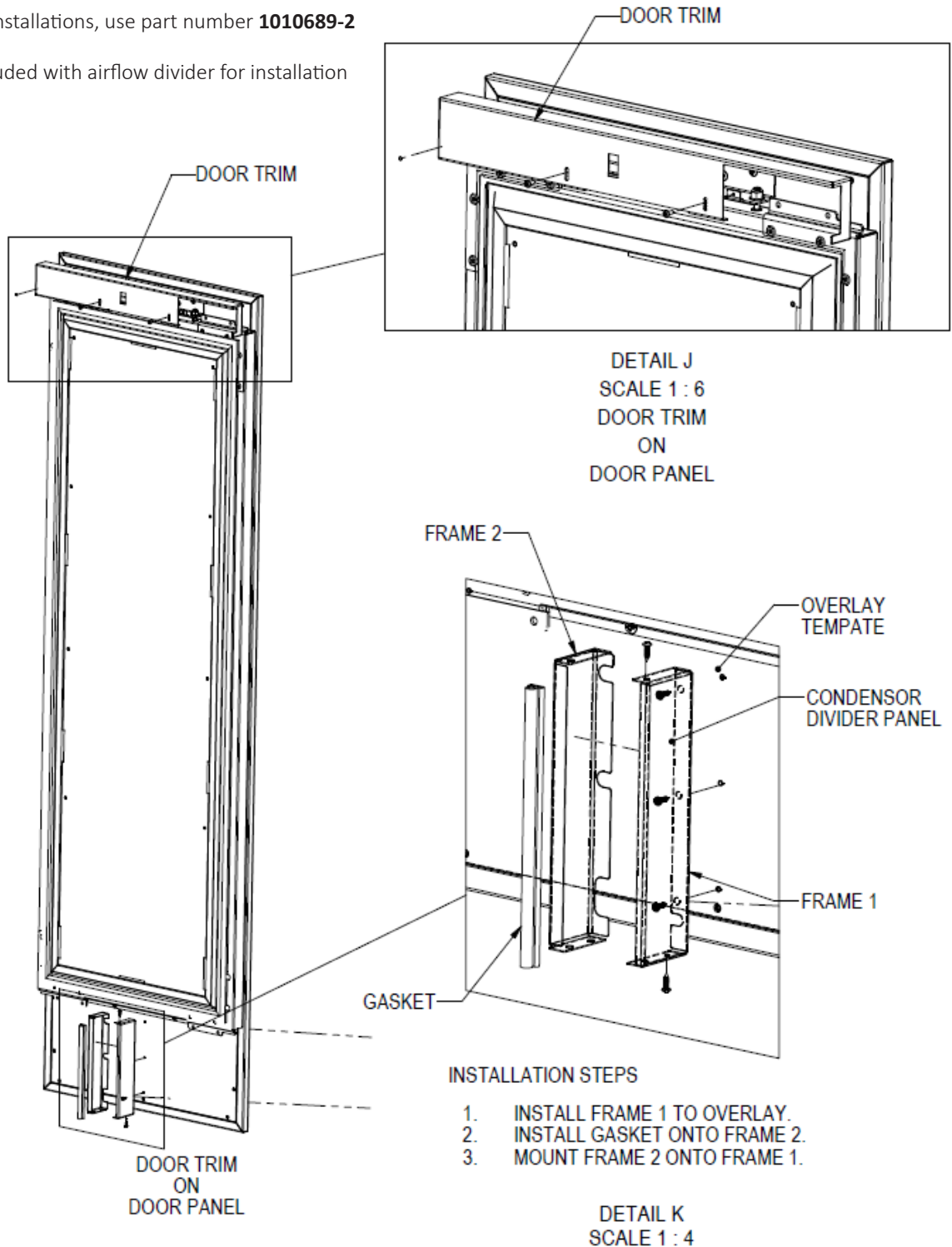
Perlick includes air flow dividers for both 4" and 6" toe kick installations. This frame and gasket is installed to the back of the door panel.

- For 4" toe kick installations, use part number **1010689-1**
- For 6" toe kick installations, use part number **1010689-2**

See instructions included with airflow divider for installation information.

DOOR TRIM INSTALLATION

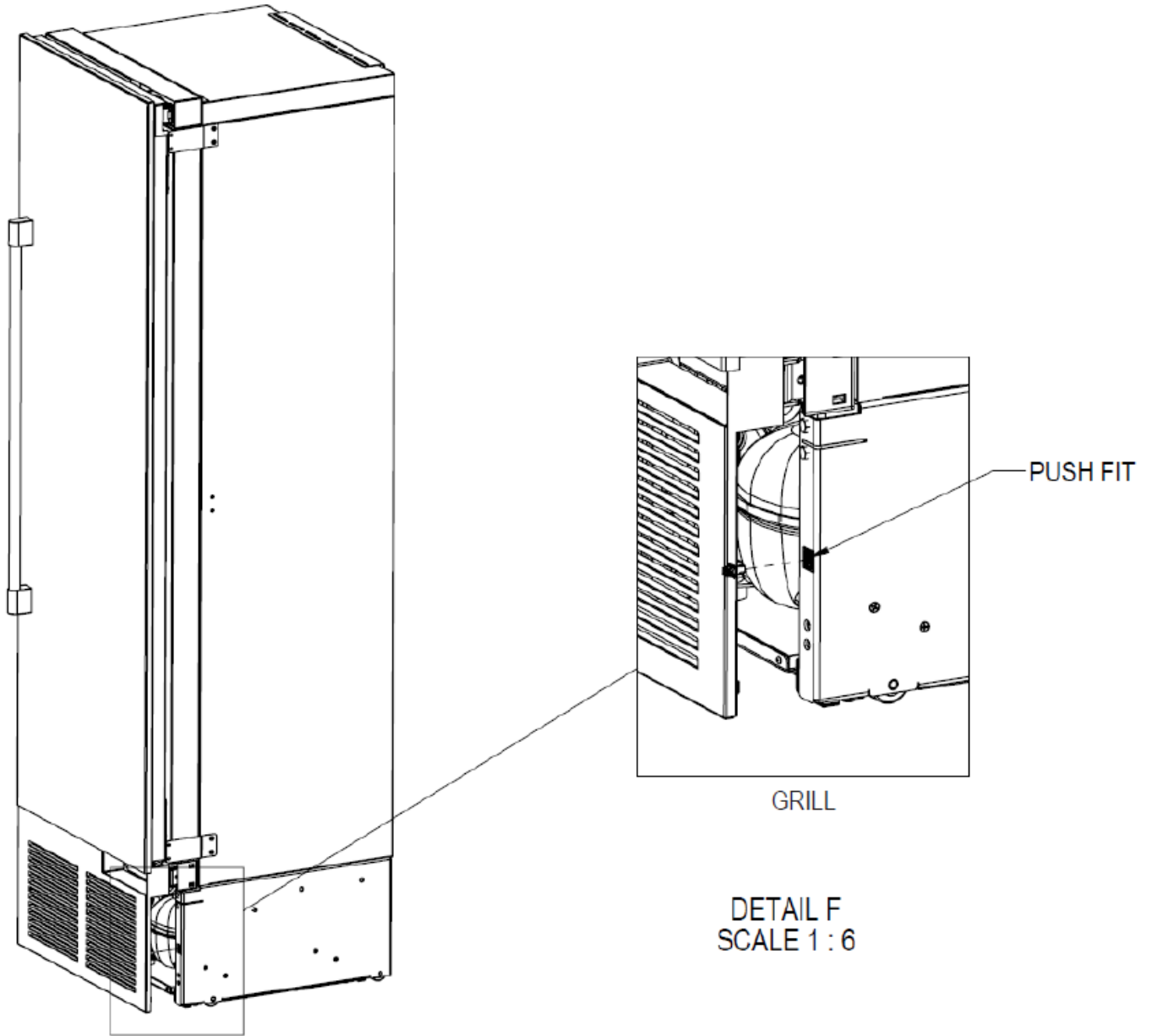
Once overlay is adjusted, mount the door trim bracket onto the door adjustment bracket using the provided screws.



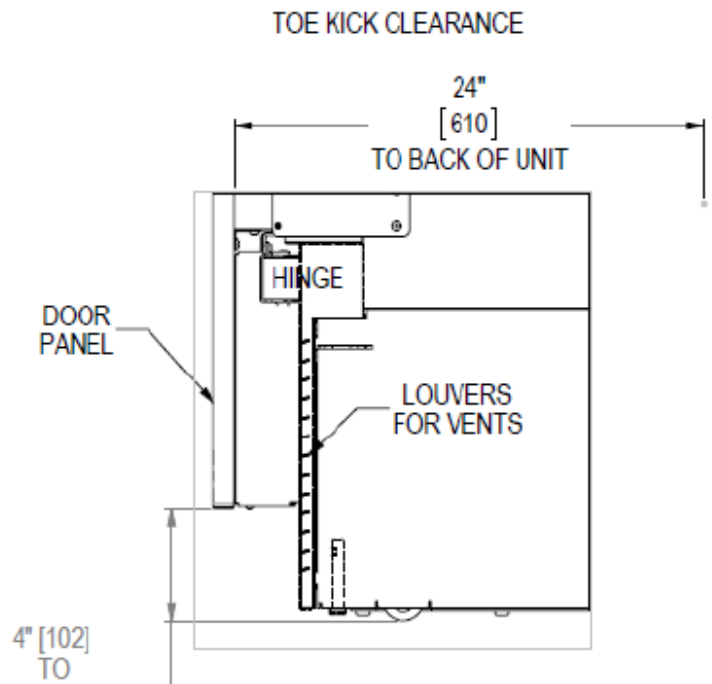
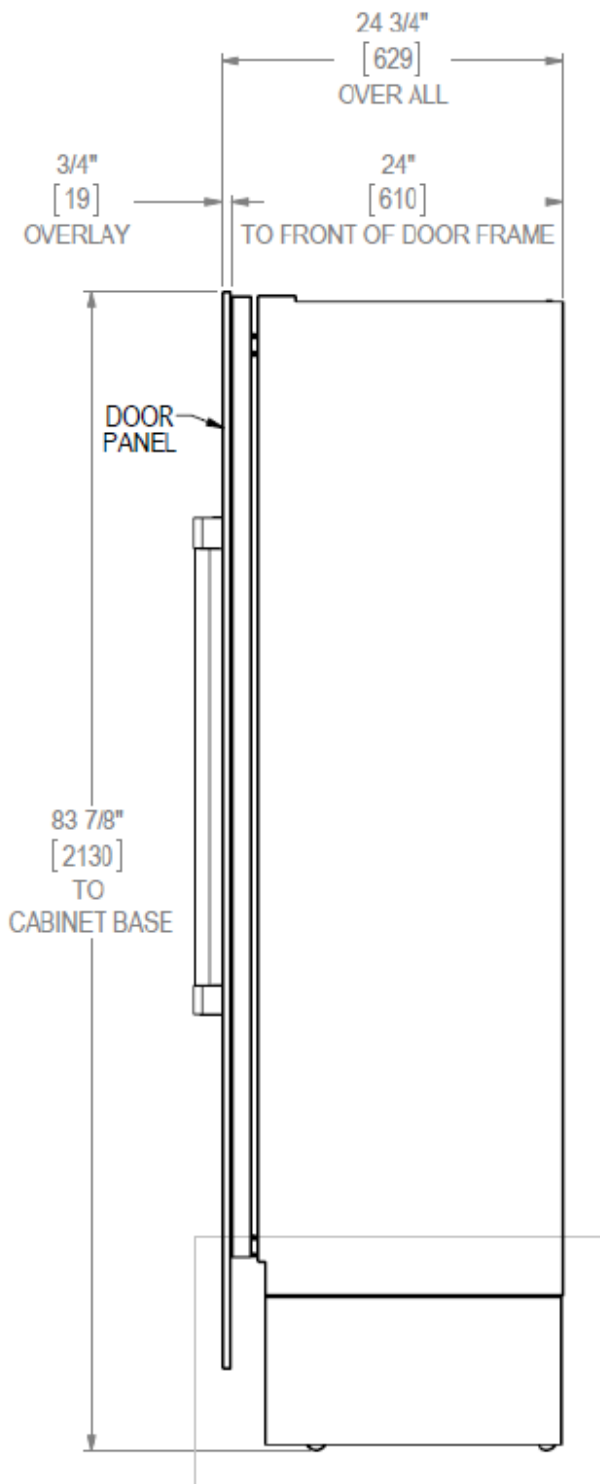
COMPLETION - GRILL INSTALLATION

GRILL INSTALLATION

Install the grill by snapping into latch catches.



TOE KICK CLEARANCE



INSTALLING FILTERS

CARBON AIR FILTERS

Carbon air filters should be placed in the holder in the perforated panel located in the top-rear of the cabinet (A).

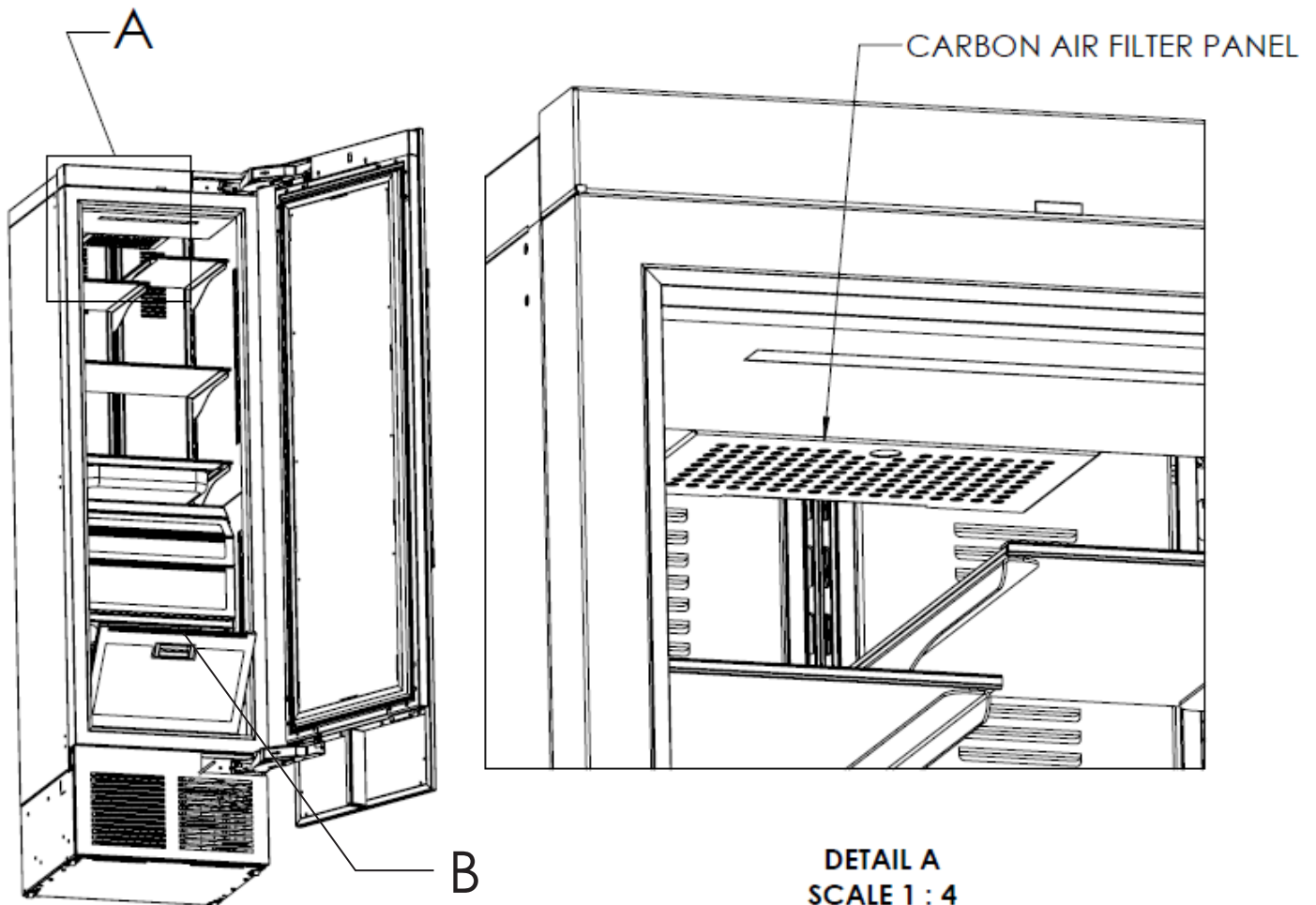
NOTE: When installing carbon air filter in wine units, the top rack will need to be removed to access the perforated panel.

1. Remove the filter from the plastic bag before installing into the unit. Take care not to open or puncture the tyvek bag in the casing.
2. Pull firmly to lower the carbon air filter panel.
3. Place the carbon air filter into the holder directly onto the panel and close panel- push firmly to engage closure clips.
4. It is recommended to replace the carbon air filter every 3-6 months.

ETHYLENE FILTERS

Ethylene filters should be placed in the holder in top of the tip-out produce bin (B).

1. Remove the filter from the plastic bag before installing into the unit. Take care not to open or puncture the tyvek bag in the casing.
2. Open the tip-out bin to access filter housing located on the top of the bin.
3. Slide filter into housing and close tip-out bin.
4. It is recommended to replace the ethylene filter every 3 months.





Perlick Residential is a division of Perlick Corporation

© 2019 Perlick Corporation

8300 West Good Hope Road, Milwaukee, WI 53223, USA

perlick.com/residential • (800) 558-5592

FORM NO. Z2496
REV. D-12/01/2020