

Perlick®



PERLICK CR24 COLUMN REFRIGERATION

PLANNING GUIDE



ALL THE DELICIOUS DETAILS OF THE NEW PERLICK CR24 COLUMN REFRIGERATION

Enjoy the flexibility of Perlick column refrigeration by mixing and matching units to create custom storage for food, wine and beverages. Columns can be installed individually or installed side-by-side in a pair or more to serve any sized kitchen.

The following provides installation guidance for planning your space. For complete installation instructions, please refer to the column installation guide on perlick.com/residential.

3 CR24 MODEL LIST

3 CR24 ACCESSORY LIST

4 DOOR OVERLAY TEMPLATES

4 OVERLAY, SOLID DOOR

5 OVERLAY, GLASS DOOR

6 INSTALLATION

7 OPENING DIMENSIONS, SINGLE INSTALL

7 OPENING DIMENSIONS, DUAL INSTALL

8 OPENING DIMENSIONS, TRIPLE INSTALL





CR24R COLUMN REFRIGERATOR



CR24F COLUMN FREEZER



CR24W COLUMN SINGLE-ZONE WINE RESERVE



CR24D COLUMN DUAL-ZONE WINE RESERVE

CR24R COLUMN REFRIGERATOR

CR24R-1-2L	All Refrigerator, Solid Overlay Door, Hinged Left
CR24R-1-2R	All Refrigerator, Solid Overlay Door, Hinged Right

CR24F COLUMN FREEZER

CR24F-1-2L	All Freezer, Solid Overlay Door, Hinged Left
CR24F-1-2R	All Freezer, Solid Overlay Door, Hinged Right

CR24W COLUMN WINE RESERVE, SINGLE ZONE

CR24W-1-4L	Wine Reserve, Single Zone, Glass Overlay Door, Hinged Left
CR24W-1-4R	Wine Reserve, Single Zone, Glass Overlay Door, Hinged Right

CR24D COLUMN WINE RESERVE, DUAL ZONE

CR24D-1-4L	Wine Reserve, Dual Zone, Glass Overlay Door, Hinged Left
CR24D-1-4R	Wine Reserve, Dual Zone, Glass Overlay Door, Hinged Right



CR24 COLUMN REFRIGERATION ACCESSORIES

		A	B
CR-ACC-24SEPR/L	Stainless Steel Exterior Finishing Panels (for left or right side of exposed column)	●	
CR-ACC-D1	Dual Installation Kit (Handle-to-Handle)-(includes anti-sweat heat mat)		●
CR-ACC-D1N	Dual Installation Kit (Handle-to-Handle)-(less anti-sweat heat mat)		●
CR-ACC-D2N	Dual Installation Kit (Handle-to-Handle)-(less anti-sweat heat mat)		●
CR-ACC-TRIM	Built-in Trim Kit (left and right finish trim kit for built-in columns)		●
CR-SS-24PDL/R	Stainless Steel Solid Door Panel w/Two Tone Perlick Pro Handle (left or right hinge - available for 4" or 6" toe kicks)		●
CR-SG-24PDL/R	Stainless Steel Glass Door Panel w/Two Tone Perlick Pro Handle (left or right hinge - available for 4" or 6" toe kicks)		●
CR-PRO-HANDLE	Two Tone Perlick Pro Handle (when sold separately for use with customer-supplied door panel)		●

A FACTORY INSTALLED B FIELD INSTALLED

HEAT MAT REQUIREMENTS FOR MULTI-UNIT INSTALLATIONS

If installing a freezer side-by-side with a refrigerator or wine column, a dual installation kit (CR-ACC-D1) is required. The heat mat is installed between the units to prevent condensation and does not require a dedicated outlet.

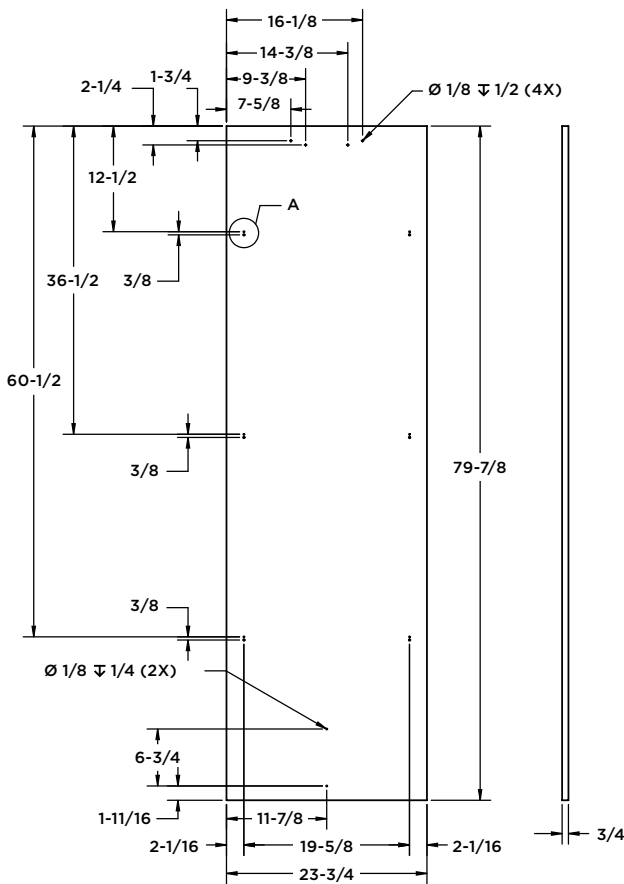
DOOR OVERLAY PANELS

Perlick CR24 column refrigeration comes ready to accept a customer-supplied door overlay panel and customer-supplied handle. A minimum 5/8" thick panel is required, however, the thickness can increase provided the panel does not exceed a weight of 65 lbs. The depth of each model is 24" without a finished overlay, so be sure to allow for panel thickness when planning the finished opening depth.

This guide includes solid and glass door templates with 4" and 6" toe kicks. Please note that when installing a panel thicker than 3/4", a 90° stop may be required to prevent damage to both the unit and surrounding cabinetry.

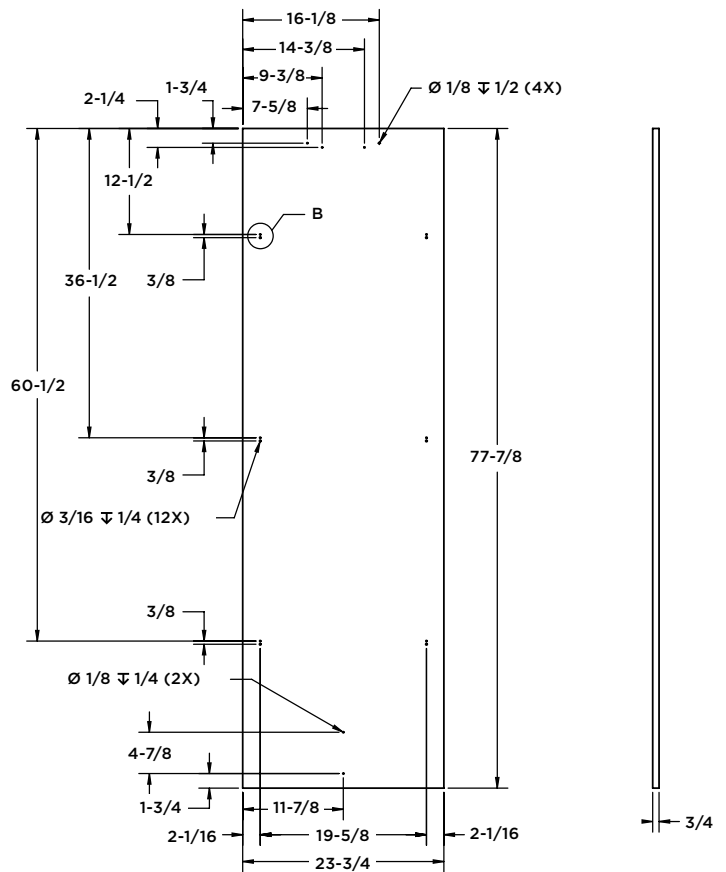
SOLID DOOR OVERLAY TEMPLATE FOR 4" TOE KICK

Measurements shown in inches ("")



SOLID DOOR OVERLAY TEMPLATE FOR 6" TOE KICK

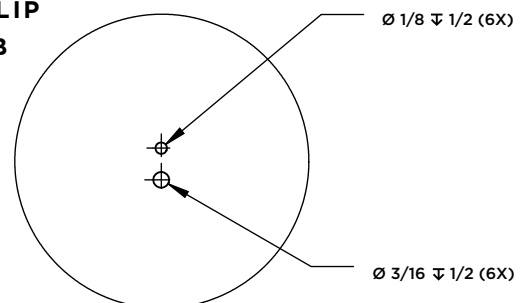
Measurements shown in inches ("")



REVEALS

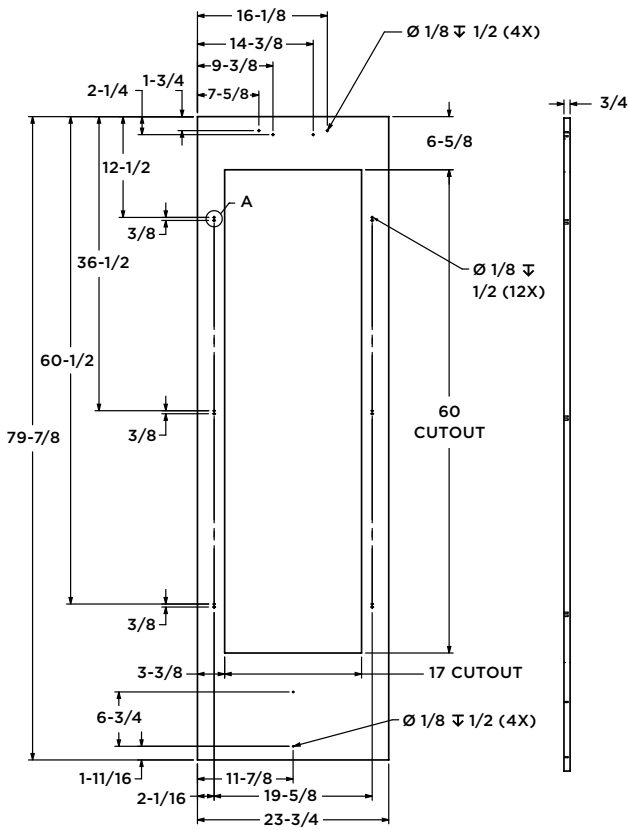
Reveals between panels can vary — 1/8" is the minimum. As reveals between cabinetry and the unit decrease, severe finger pinching can occur while the door is closing.

OVERLAY CLIP DETAIL A & B



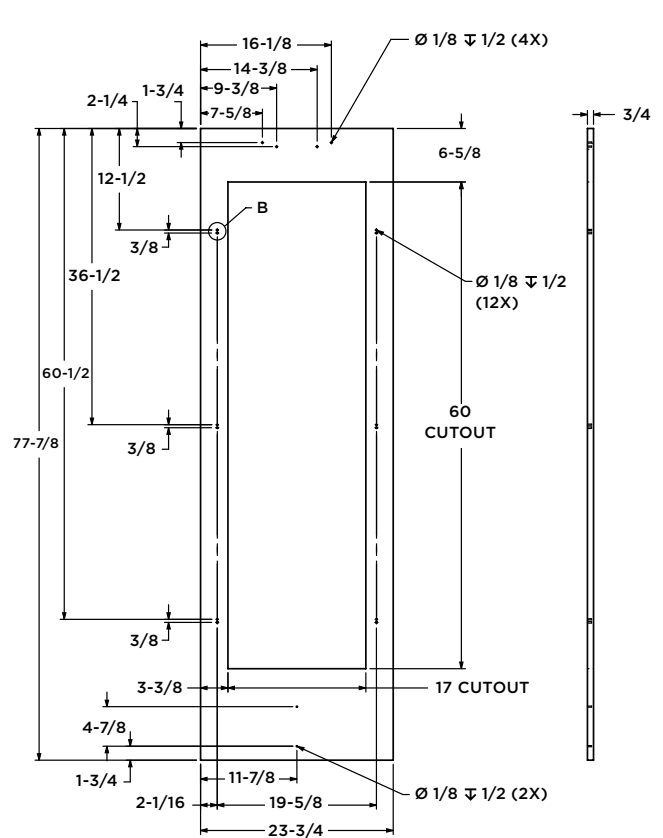
GLASS DOOR OVERLAY TEMPLATE FOR 4" TOE KICK

Measurements shown in inches (")



GLASS DOOR OVERLAY TEMPLATE FOR 6" TOE KICK

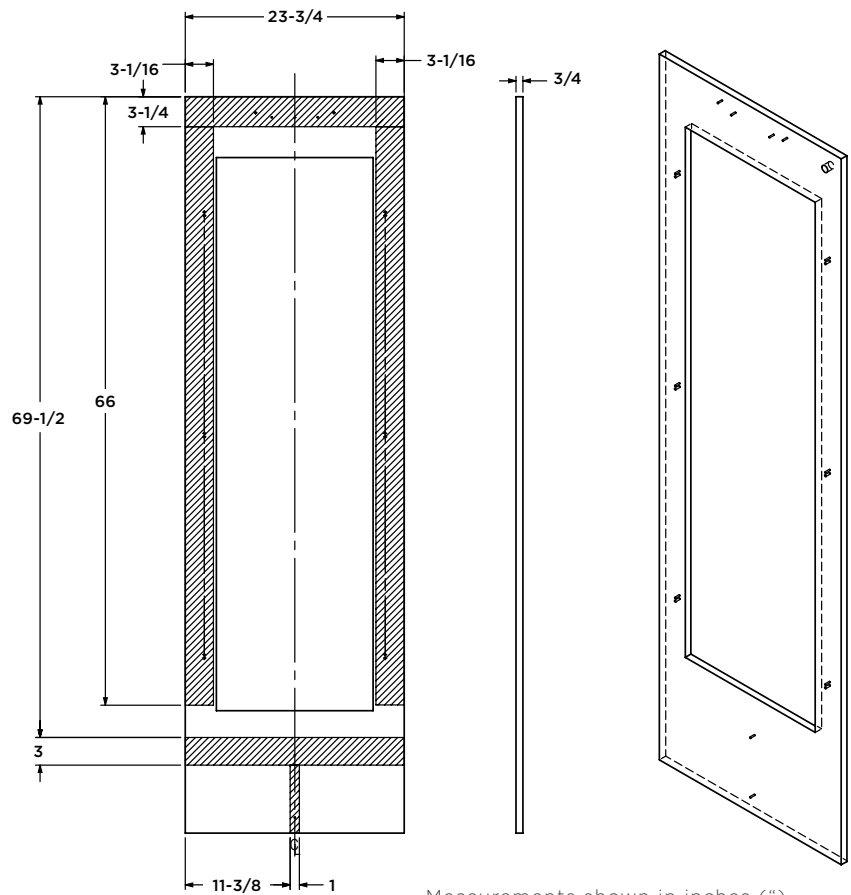
Measurements shown in inches (")



SCREW ZONE FOR DOOR OVERLAY TEMPLATES

Shaded areas (shown right) should provide enough thickness for wood screws for overlay attachment bracket.

Door handle must be attached to overlay panel prior to installing panel onto the unit. Mounting screws for the handle should be recessed or countersunk into the back side of the overlay panel.



Measurements shown in inches (")



INSTALLING PERLICK COLUMN REFRIGERATION

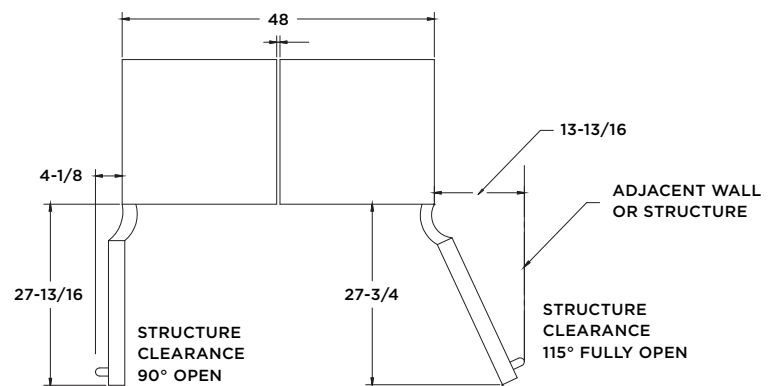
Designed specifically to be integrated into cabinetry, Perlick column refrigeration brings commercial-grade performance and preservation to any style of kitchen. Columns can be installed separately, or in side-by-side installations to create custom modular refrigeration.

The following diagrams show various ways to install Perlick column refrigeration and provide information on producing custom overlay panels.

ADJACENT WALL MINIMUM CLEARANCE REQUIREMENTS

If installing column next to adjacent wall, take care to observe minimum required clearances to avoid interference when opening the door. Please note the clearances indicated are based on a standard 3/4" thick door panel and Perlick Two Tone Pro Handle (CR-PRO-HANDLE). Varying door depths and dimensions of customer-provided handle may change the required dimensions.

A 90° hinge stop pin (included with unit) can be installed to prevent the door from opening beyond 90°. Pin must be installed prior to full integration. See installation manual for instructions.

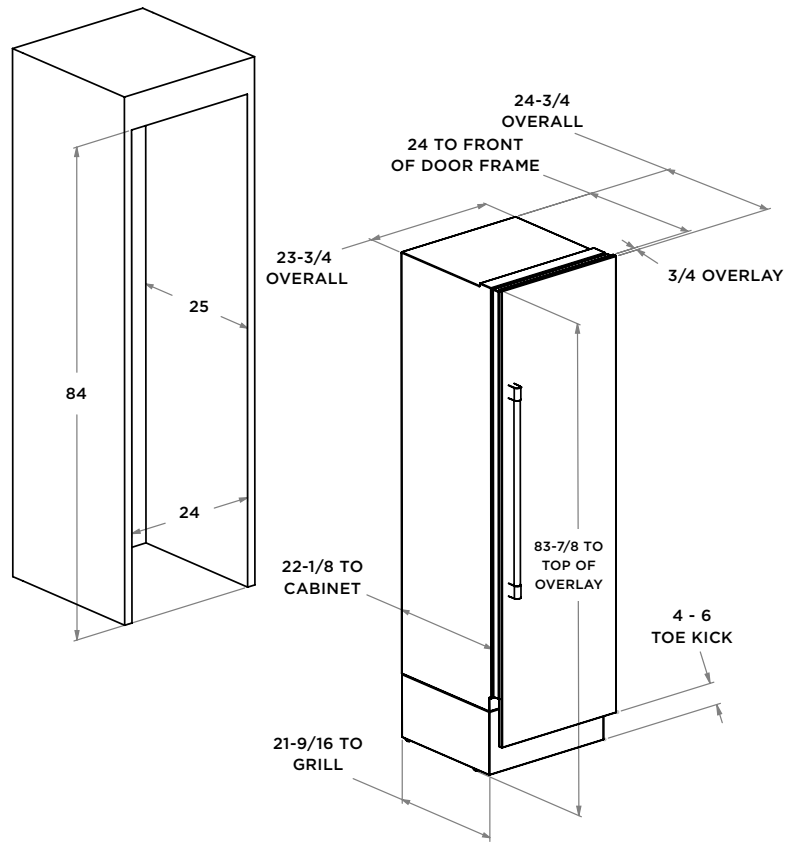
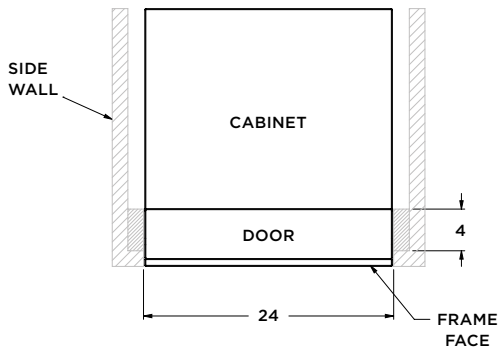


Measurements shown in inches (")

OPENING DIMENSIONS FOR A SINGLE UNIT

Perlick columns allow you the freedom to install refrigeration separately anywhere in the kitchen.

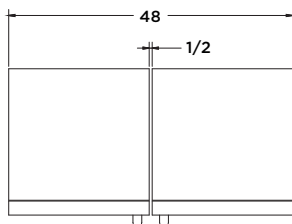
Columns are designed to be integrated into cabinetry, however, factory installed stainless steel side panels are available for installations where the side of the column is exposed.



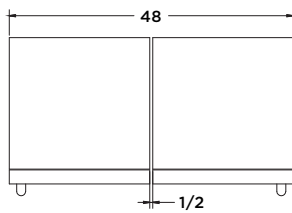
Measurements shown in inches (")

OPENING DIMENSIONS FOR INSTALLING TWO UNITS SIDE-BY-SIDE

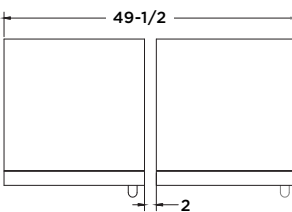
Perlick columns can be installed side-by-side in a variety of configurations provided the following installation specifications are met. Hinge/handle locations and adjacency to walls/structure must be taken into consideration during the planning process. Choose your desired column configuration on the left and match to the opening (blue label) drawing on the right for the proper cutout dimensions (applies to units installed both with or without dual installation kit.)



A. HANDLE TO HANDLE



B. HINGE TO HINGE



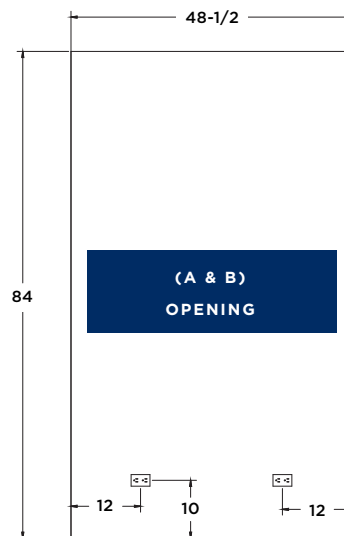
C. HANDLE TO HINGE*



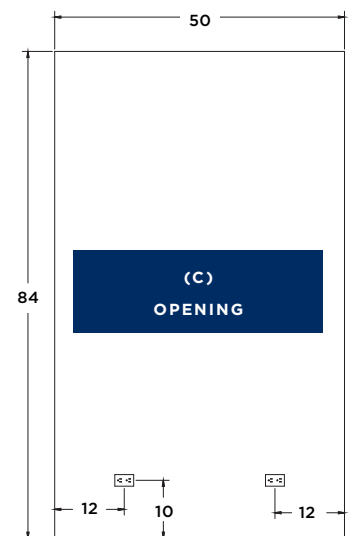
*90° HINGE PIN

Doors open to 105°. The 90° hinge pin stop can be installed. If hinge pin is installed, all gaps between cabinets can be 1/2".

If using hinge pins on all units, refer to Opening Dimensions A & B.



(A & B)
OPENING



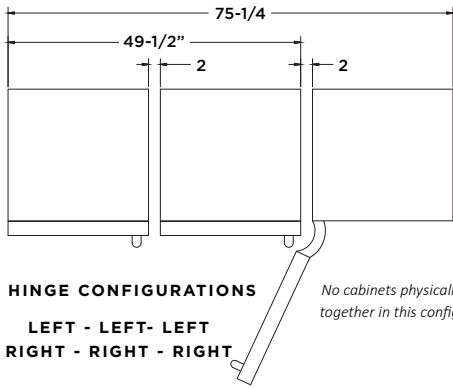
(C)
OPENING

Measurements shown in inches (")

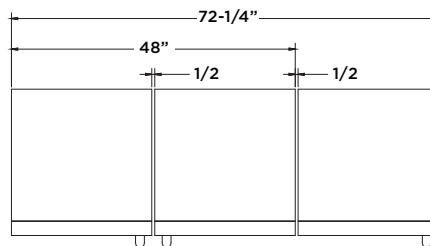
OPENING DIMENSIONS FOR INSTALLING THREE UNITS SIDE-BY-SIDE

As with dual installations, choose your desired column configuration below and match to the opening (blue label) drawing for the proper cutout dimensions (applies to units installed both with or without dual installation kit.)

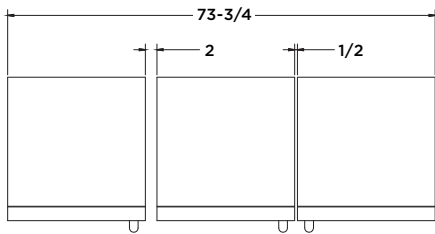
For installations involving more than three cabinets, combine the opening dimensions for the openings which correspond to the combined Hinge and Handle combinations shown in this guide.



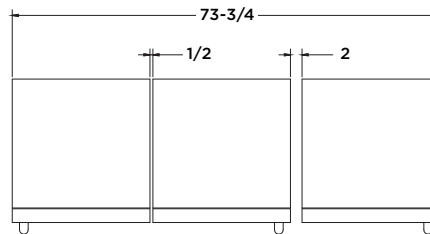
D. HINGE CONFIGURATIONS
LEFT - LEFT - LEFT
RIGHT - RIGHT - RIGHT
No cabinets physically joined together in this configuration



E. HINGE CONFIGURATIONS
LEFT - RIGHT - LEFT
RIGHT - LEFT - RIGHT
All cabinets physically joined together in this configuration

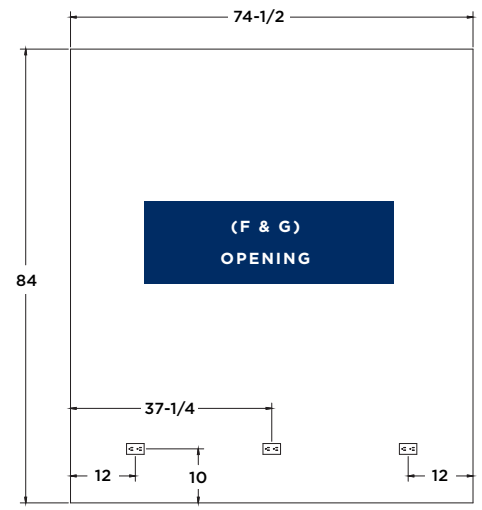
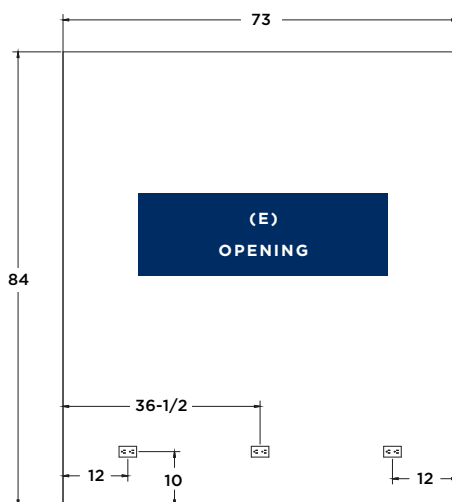
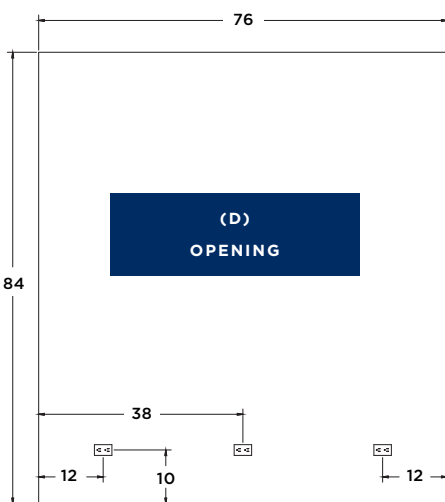


F. HINGE CONFIGURATIONS
LEFT - LEFT - RIGHT
RIGHT - RIGHT - LEFT
(2) cabinets physically joined together in this configuration



G. HINGE CONFIGURATIONS
RIGHT - LEFT - LEFT
LEFT - RIGHT - RIGHT
(2) cabinets physically joined together in this configuration

90°
***90° HINGE PIN**
 Doors open to 105°. The 90° hinge pin stop can be installed. If hinge pin is installed, all gaps between cabinets can be 1/2".
 If using hinge pins on all units, refer to Opening Dimensions E.



Measurements shown in inches (")

Visit perlick.com/residential for the latest information on how to install Perlick CR24 column refrigeration. To purchase Perlick accessories, contact your local Perlick Residential dealer.



© 2018 Perlick Corporation

FORM NO. Z2549
 REV. D-08/03/2018