

# The great outdoors Just Got Greater.

**Special Offer !**

**30" Grill includes  
Free Vinyl Cover, Smoker Box  
and one (1) Cutting Board**

From the engineering and design team that produced the very first stainless steel barbecue, comes an outdoor experience for those who love to grill.



CG30RBI



CG30RFS


Available in Natural Gas or Propane



Capital products are loved by the Food Network, professional chefs and home chefs alike

## Unique Features of "Precision Series Barbecues"

- \* Hidden Rotisserie Motor for Clean Look
- \* Spring Assisted Lid for Easy Lift
- \* "Hot Surface Ignition System" for Reliable Ignition
- \* "Stainless Steel Encased Ceramic Rods" for Longer Life and Flareup Suppression
- \* 'Infra-Red' and Regular Burner Combination available
- \* Stainless Steel Channeled Grates for Grease Drainage (optional for 30")
- \* Die-Cast Chrome Plated Knobs with Black Trims (red optional)
- \* Indicator lights on each burner

 Made in the USA

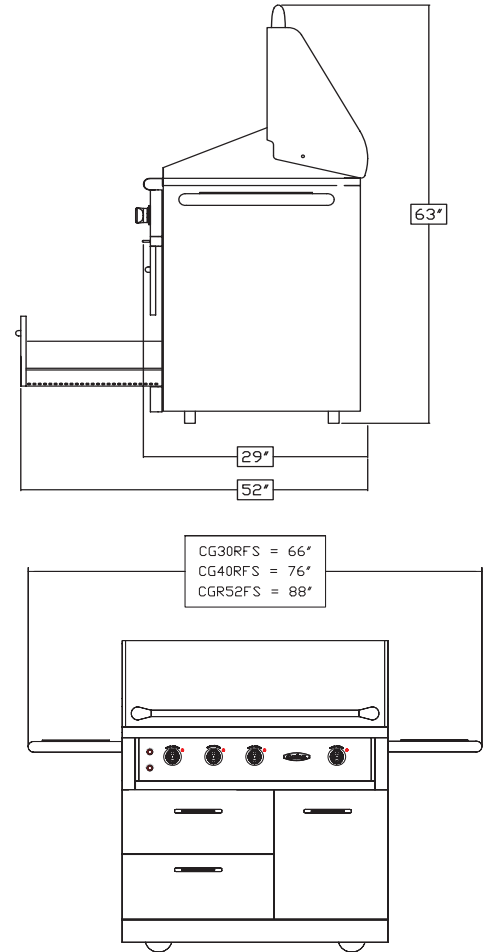


THE POWER OF PRECISION™

MODEL #	BUILT IN MODELS			CART MODELS		
	CG30RBI	CG40RBI	CG52RBI	CG30RFS	CG40RFS	CG52RFS
COOKING AREA IN SQ.IN.	585	775	1025	585	775	1025
GRILL BURNERS BTUS RATE	25,000	25,000	25,000	25,000	25,000	25,000
INFRARED SEAR-ZONE BTUS RATE	25,000	25,000	25,000	25,000	25,000	25,000
INFRARED ROTSSERIE BURNER	13,000	15,000	13,000	13,000	15,000	13,000
TOTAL BTUS	63,000	90,000	126,000	63,000	90,000	126,000
SHIPPING WEIGHT (lbs)	240	300	360	400	500	600
POWER NEEDS 15 amps	120 V 60HZ	120 V 60HZ	120 V 60HZ	120 V 60HZ	120 V 60HZ	120 V 60HZ

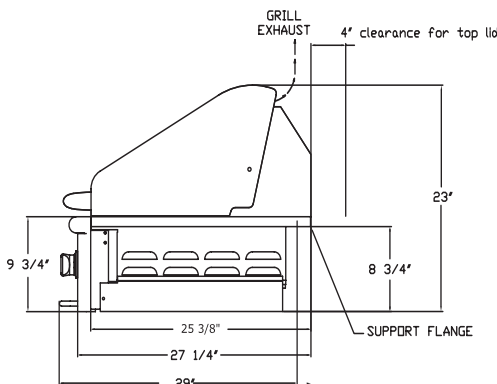
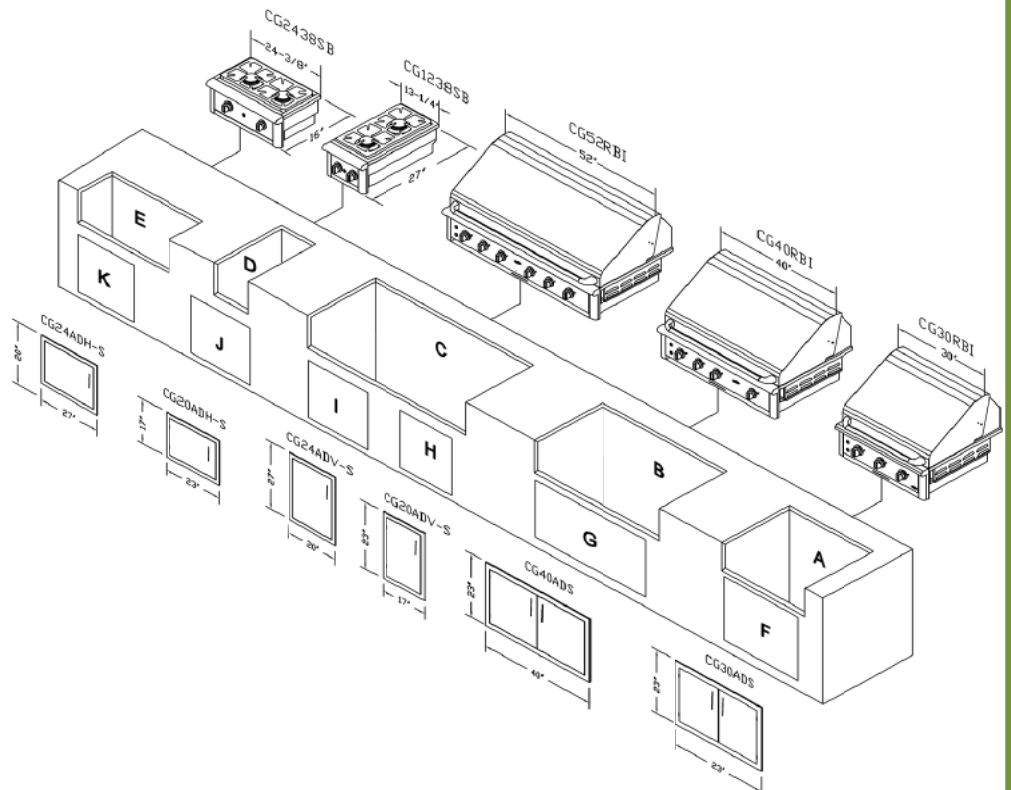
AVAILABLE ACCESSORIES	WARRANTY INFORMATION
<ul style="list-style-type: none"> <li>* SS Griddle Plate</li> <li>* Birch Wood Chopping Boards</li> <li>* SS Smoker Box</li> <li>* Vinyl Covers</li> <li>* Access Doors</li> <li>* Built In Side Burners</li> <li>* 24" Built In Wok</li> <li>* Conversion Kits LP and NG</li> </ul>	<p><b>One (1) Year Full Warranty:</b> Capital Cooking Equipment warrants the outdoor gas grill and all of their component parts, to be free from defects in materials and workmanship under normal residential use for a period of one (1) year from the original date of purchase. Capital Cooking Equipment will repair or replace, at its option, any part, which fails or is found to be defective during the warranty period, at no cost to the original purchaser. Warranty service must be performed by a Capital Cooking Equipment authorized representative during normal business hours.</p> <p><b>Five (5) Year Limited Warranty:</b> Capital Cooking Equipment warrants the gas valves, sear zone burners, rotisserie burners, drip pans and the stainless steel encasements for the ceramic rods to be free from defects in materials and workmanship, under normal residential use, for a period of five (5) years from the original date of purchase. This warranty excludes surface corrosion and heat discoloration which may occur from normal use. Capital Cooking Equipment will repair or replace, at its option, the actual part found to be defective, with the owner paying for all other costs including labor and freight.</p> <p><b>Limited Lifetime Warranty:</b> Capital Cooking Equipment warrants the stainless steel main burners, stainless steel cooking grates and the stainless steel body housings to be free from defects in material and workmanship under normal residential use and service for the lifetime of the original purchaser. This warranty excludes surface corrosion, scratches and discoloration which may occur during regular use. This warranty is limited to the replacement of the defective parts, with the owner paying all other costs including labor and freight.</p>
<ul style="list-style-type: none"> <li>* DO NOT build grilling island under combustible materials.</li> <li>* DO NOT leave a lit grill unattended.</li> <li>* For out door use only</li> <li>* Use only in ventilated areas.</li> </ul>	

### CART DIMENSIONS



### BUILT IN DIMENSIONS

CUT-OUT	HEIGHT	WIDTH	DEPTH
A	8-3/4"	28-1/2"	24-3/4"
B	8-3/4"	38-1/2"	24-3/4"
C	8-3/4"	50-1/2"	24-3/4"
D	8-3/4"	12-1/2"	24-1/16"
E	8-3/4"	23-5/8"	13"
F	20-1/4"	27-3/16"	N/A
G	20-1/4"	37-3/16"	N/A
H	20-3/8"	14-3/4"	N/A
I	24-3/8"	17-3/8"	N/A
J	14-3/8"	20-3/8"	N/A
K	17-3/8"	24-3/8"	N/A



Capital Cooking Equipment Inc.  
13211 Florence Ave.  
Santa Fe Springs CA 90670

Phone: 562 903-1168  
Toll Free: 866 402-4600  
email: customerservice@capital-cooking.com

Made in the U.S.A.  
Visit our web site: [www.capital-cooking.com](http://www.capital-cooking.com)