



CG2438SB



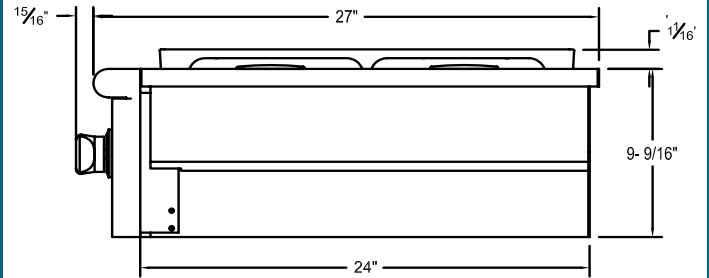
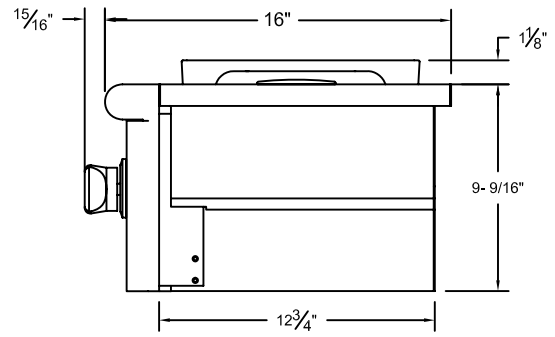
CG1238SB

Features of "Precision Series Burners"

- * 19,000 BTU each/ sealed burner (38,000 BTUs total)
- * Die-Cast Chrome Plated Knobs with Black Trims (red optional)
- * 9 Volts IElectronic ignition (batteries required)
- * Stainless steel cover included
- * Available in LP or Natural Gas

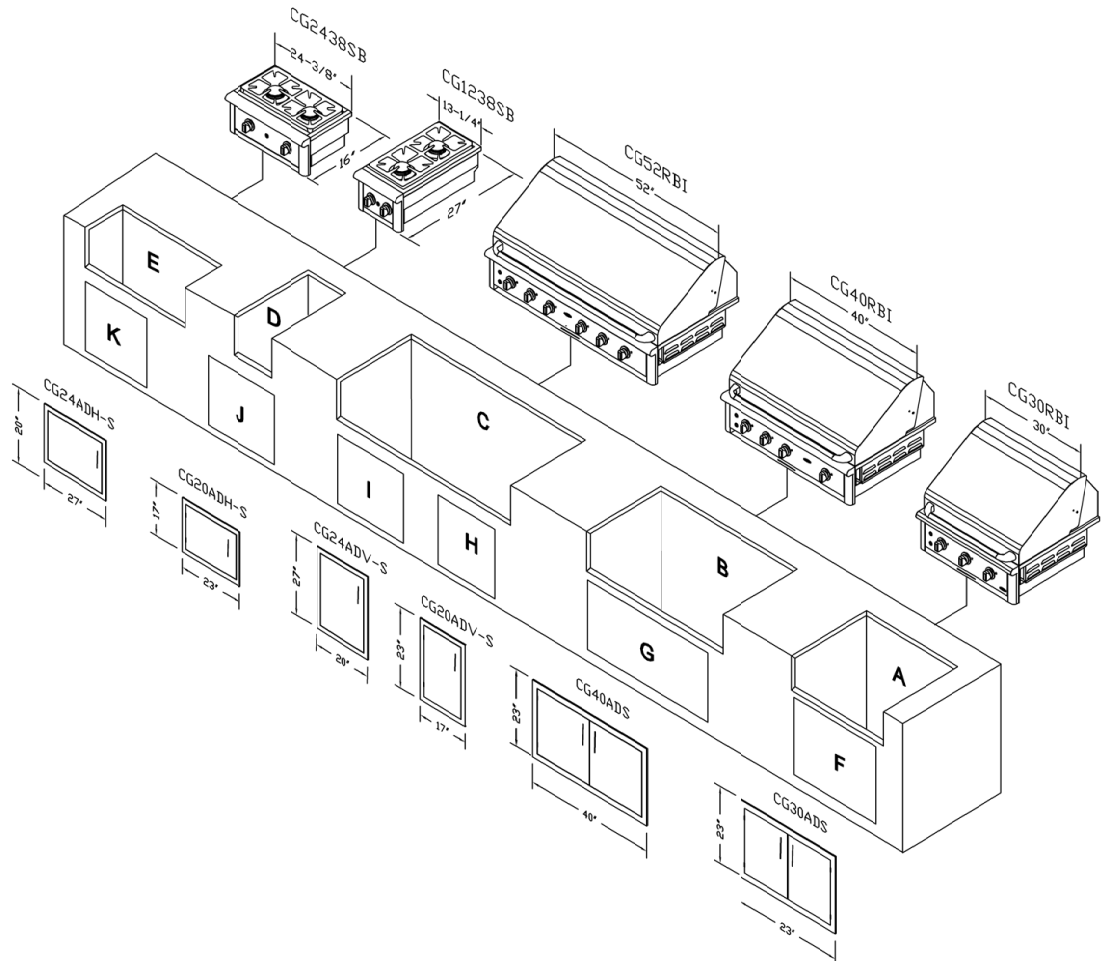


MODEL	CG2438SB	CG1238SB
GRILL BURNERS BTUS RATE	19,000	19,000
TOTAL BTUS	38,000	38,000
SHIPPING WEIGHT (lbs)	40	40
AVAILABLE ACCESSORIES		
<ul style="list-style-type: none"> * SS Griddle Plate * Birch Wood Chopping Boards * SS Smoker Box * Vinyl Covers * Access Doors * Built In Side Burners * 24" Built In Wok * Conversion Kits LP and NG 	WARRANTY ONE (1) year full parts and labor warranty covers entire product against manufacturing defects. FIVE (5) years Limited warranty covers all stainless steel parts and Top Burner provided the unit is used under normal house-hold conditions.	
<ul style="list-style-type: none"> * DO NOT build grilling island under combustible materials. * DO NOT leave a lit grill unattended. * Use only in ventilated areas. * Use only in ventilated areas. 		



BUILT IN DIMENSIONS

CUT-OUT	HEIGHT	WIDTH	DEPTH
A	8-3/4"	28-1/2"	24-3/4"
B	8-3/4"	38-1/2"	24-3/4"
C	8-3/4"	50-1/2"	24-3/4"
D	8-3/4"	12-1/2"	24-1/16"
E	8-3/4"	23-5/8"	13"
F	20-1/4"	27-3/16"	N/A
G	20-1/4"	37-3/16"	N/A
H	20-3/8"	14-3/4"	N/A
I	24-3/8"	17-3/8"	N/A
J	14-3/8"	20-3/8"	N/A
K	17-3/8"	24-3/8"	N/A



Capital Cooking Equipment Inc.
13211 Florence Ave.
Santa Fe Springs CA 90670

Phone: 562 903-1168
Toll Free: 866 402-4600
email: customerservice@capital-cooking.com

Made in the U.S.A.
Visit our web site: www.capital-cooking.com