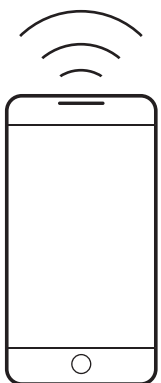
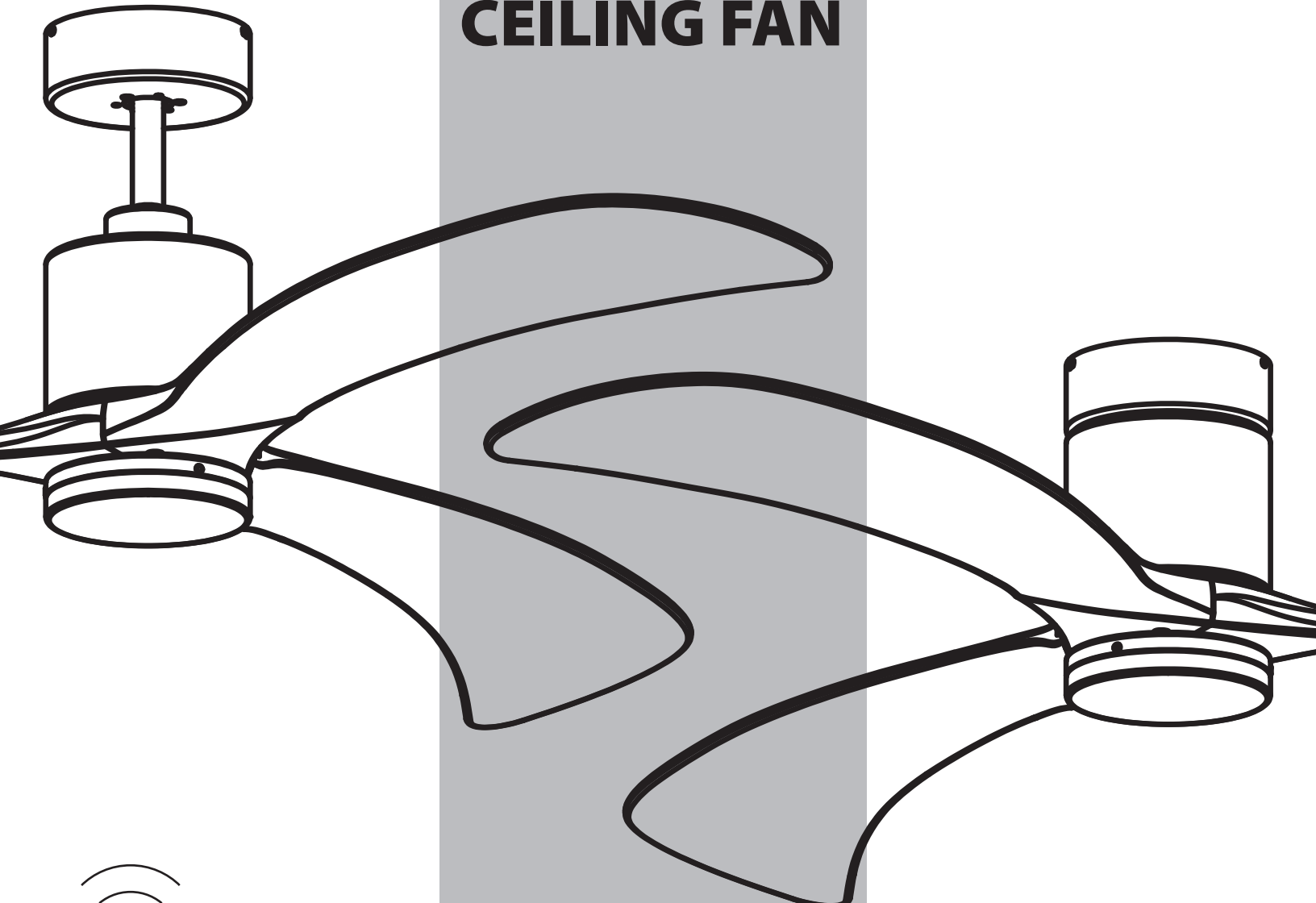




CF01666

CF01672

VOICE ACTIVATED CEILING FAN



INSTRUCTION MANUAL

Table of Contents

Exclusive Features	1	Getting to Know Your Remote Control	12
Before You Begin	2	Checking Your Installation	12
Parts List	3	Installing the Voice Command Centre (VCC)	13
Exploded View	4	VCC Voice Instructions and Actions	13
Important Safeguards and Warnings	5	Voice Commands	14
Installation Preparation (Down Rod Installation and Flush Mount)	6	Before You Begin Setting Up the App	14
Installing Mounting Bracket	6	Setting Up the App	15
Down Rod Installation	7	Sharing the App	15
- Securing Fan to Bracket	7	Communication Device Cautions	16
- Electrical Installation with Down Rod	8	Antennae and Other Communications Information	16
- Replacing the Canopy	8	Trouble Shooting	17
Flush Mount Installation	9	Performance and Energy Information	18
- Electrical Installation for Flush Mount	9	Warranty	19
- Flush Mount Installation	9	Customer Care	20
- Securing Fan to Bracket, Flush Mount	10		
Installing the Blades for Down Rod and Flush Mount	11		
Installing the Light	11		

Thank you for purchasing our FORNO VOCE ceiling fan that comes packed with exclusive features:

1. Bluetooth Voce system. Take full control of your ceiling fan **using just your voice**. No need to use any other device like your phone, remote nor any other communication assistant.
2. You have the flexibility to **control multiple fans** that are in the same area **using your voice**. Or, **control them independently** if you want.
3. Bluetooth Voce app that allows you to securely **connect your phone and control your fan with a tap**.
4. You can also **control multiple fans in different rooms**.
5. It has a **Smart Scheduler** that allows you to freely set when you want the fan and light to be switched on and off, **fan speed, light intensity**, weekend, weekday, etc.
6. **3 pre-set fan programs**:
 - a. **Breeze**, that gives you a soothing, sequentially changing breeze speed.
 - b. **Wind**, gives you an **invigorating**, randomly changing wind speed.
 - c. **Eco**, will even out your room temperature giving you a more comfortable and **energy efficient environment**.
7. **Super Efficient**, Silent and Reliable Brushless DC motor.
8. **Fully dimmable LED lights**.
9. Includes a **handheld remote** control for easy fan speed and lighting adjustment.
10. 6 fan speeds in your remote control, but **20 speeds** when you use your App for the **ultimate comfort**.
11. Pre-wired remote receiver, making for an **easy and faster ceiling fan installation**.
12. Unique ceiling fan blade design that **minimizes air noise**.

BEFORE YOU BEGIN

This fan may be installed with a Down Rod



or Flush Mount



READ CAREFULLY AND SAVE THESE INSTRUCTIONS

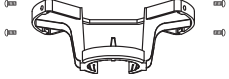
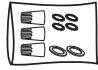


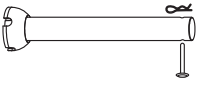

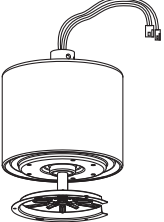
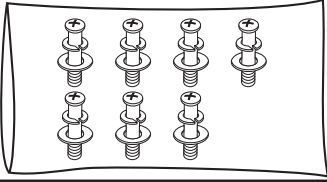



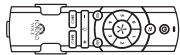

WARNING

TO REDUCE THE RISK OF FIRE, ELECTRIC SHOCK, OR INJURY TO PERSONS, OBSERVE THE FOLLOWING:

- Use this unit only in the manner intended by the manufacturer. If you have question, contact the manufacturer.
- Before servicing or cleaning unit, switch power off at service panel and lock the service disconnecting means to prevent power from being switched on accidentally. When the service disconnecting means cannot be locked, securely fasten a prominent warning device, such as a tag, to the service panel.
- To Reduce The Risk Of Personal Injury, Do Not Bend The Blade Brackets When Installing The Brackets, Balancing The Blades, Or Cleaning The Fan. Do Not Insert Foreign Objects In Between Rotating Fan Blades.
- To Reduce The Risk Of Fire, Electric Shock, Or Personal Injury, Mount To Outlet Box Marked Acceptable For Fan Support And Use Mounting Screws Provided With The Outlet Box.
- To Reduce The Risk Of Electric Shock, Disconnect The Electrical Supply Circuit To The Fan Before Installing Light Kit.
- **CAUTION** To reduce the risk of injury to people, the fan must be mounted at least 7 ft. (2.1 m) clear distance from the blades to the floor and 30" (0.76 m) clear from any wall or object.
- **CAUTION** When mounted directly to the building structure, appliance installation shall not expose combustible material and do not install the appliance to a ceiling with combustible finish. The installation of the appliance cannot leave the wood of the rafters or any thermal insulation exposed to the interior of the room.
- **CAUTION** All set screws must be checked, and retightened where necessary, before installation.
- All wiring must be in accordance with the National Electrical Code and local electrical codes. Electrical installation should be performed or approved by a qualified licensed electrician.
- Switches must be UL/CSA General Use Switches. No dimmers, electronic switches or rheostats should be used with this fan.
- After making electrical connections, spliced conductors should be turned upward and pushed carefully up into outlet box. The wires should be spread apart with the grounded conductor and the equipment-grounding conductor on one side of the outlet box.
- Electrical diagrams are for reference only. On installation, comply with all your local electrical codes.
- Do not operate the Eco Mode while the fan blades are still in regular motion. You must turn the fan off and wait for the blades to stop before you engage Eco mode as this will reverse the movement of the blades.
- To avoid personal injury or damage to the fan and other items, use caution when working around or cleaning the fan. Do not place any object in the path of the blades.

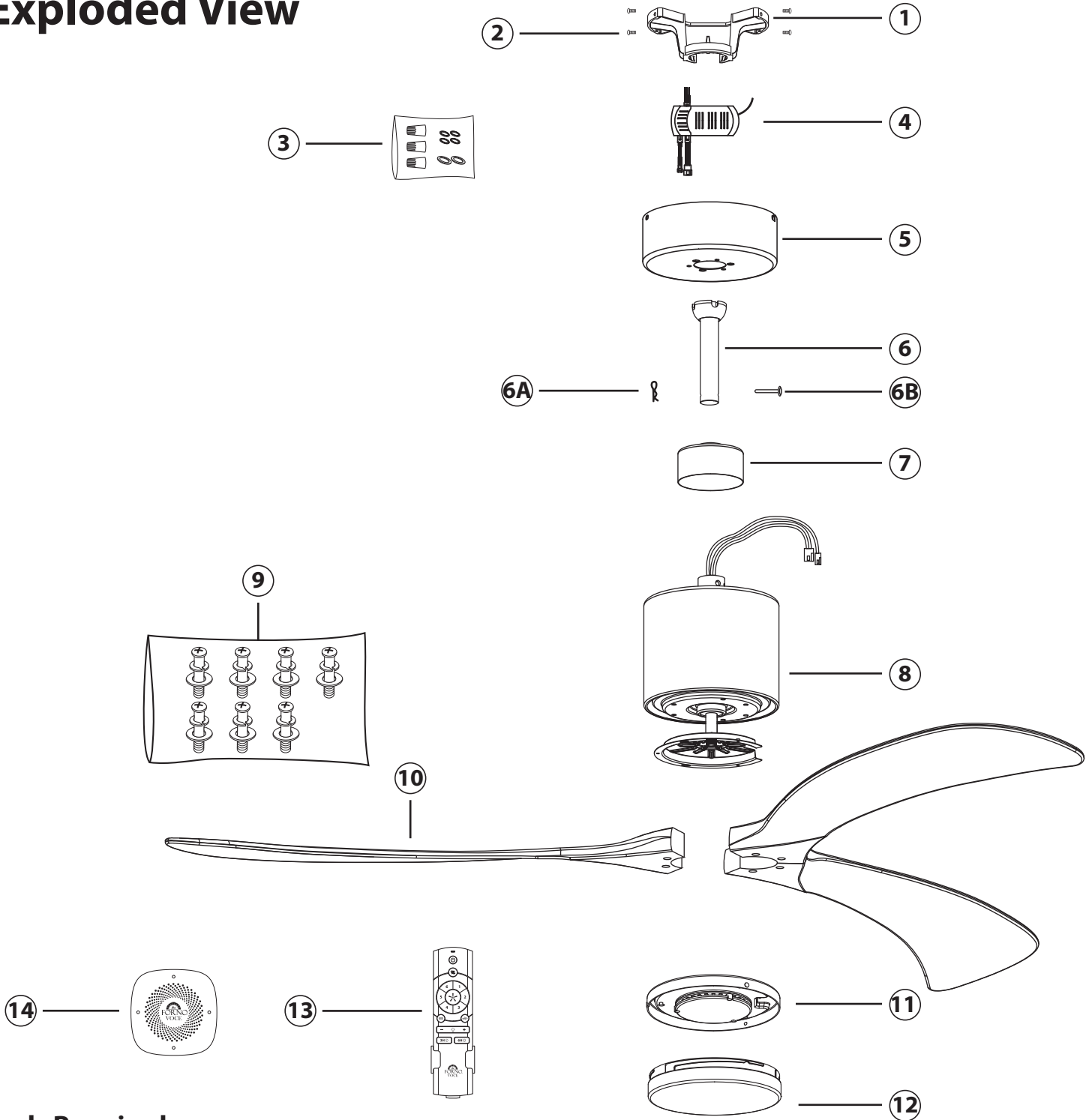
Please open your box very carefully and take out all the components.

Parts List




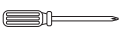


Part #	Items	Drawing	Description	Quantity
SCF002BRA SCF002SCR-CH, BL, BB	1 2		Mounting Bracket (1) with 4 Screws (2)	1
SCF002CON	3		Pack with 3 Wire Connectors, 2 Metallic Washers and 4 Spring Washers	1
SCF01666REC SCF01672REC	4		Remote Control Receiver	1
SCF002CAN-TT, OR, AG	5		Canopy	1
SCFROD06-TT, OR, AG SCFCLIP SCFPIN	6 6A 6B		Down Rod (6) with Clip (6A) and Pin (6B)	1 1 1
SCF002YOK-TT, OR, AG	7		Yoke Cover	1
SCF002MOT-TT, OR, AG	8		Motor Assembly	1
SCF002	9		Pack of 7 Blade Screws, Spring Washer and Washers	1
SCF01666BLA-B, L SCF01672BLA-B	10		Curved Propeller Blades	3
SCF002LMP-TT, OR, AG	11		Lamp Base	1
SCF002SHA	12		Lamp Shade	1
SCFREM	13		Remote Control and Holder	1
SVCCI	14		Voice Control Centre (VCC I)	1

You should have received all the parts in the Parts List.

Exploded View



Tools Required

 Stop Ladder	 Pliers	 Measuring Tape
 Philips Screw Driver	 Wire Stripper	 Electrical Tape

If you find any part missing please call: 1-866-231-8893
 Or contact us at:
mysupport@fornoworld.com
 Please do not return this fan to the store before calling

CF01666-XXX - Net Weight: 6.7kg (14.74 lbs)
 CF01672-XXX - Net Weight: 6.9kg (15.18 lbs)

CF01666-XXX is Suitable For Use in Dry Indoor Locations
 CF01672-XXX is Suitable For User in Dry Indoor Locations

⚠ WARNING: To avoid risk of electrical shock, before attempting installation turn off the electricity at the main electrical box or fuse box.

⚠ WARNING: Any electrical installation should be done or approved by licensed electrician.

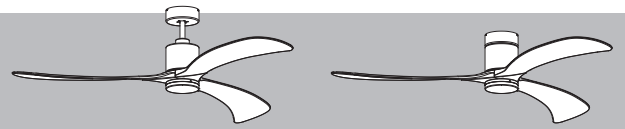
⚠ WARNING: To avoid risk of electrical shock, this fan should not be installed with any dimmer or other control device.

⚠ WARNING: To avoid risk of personal injury, do not insert or place any object in the path of the blades.

⚠ WARNING: To avoid risk of personal injury, do not bend the brackets or the blades during installation, cleaning, etc.

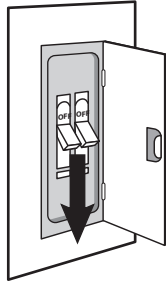
⚠ WARNING: To reduce the risk of fire, electric shock or personal injury, mount the fan directly on to a structural framing member or on an electric box marked Acceptable for Fan Support of 15.9 kg (35 lbs) or less and use the mounting screws supplied with the electric box. You can also support it directly to the building structure. Most electrical outlet boxes commonly used for lighting fixtures are not acceptable for Fan Support and may need to be replaced. If in doubt, consult a qualified electrician.

Installation Preparation



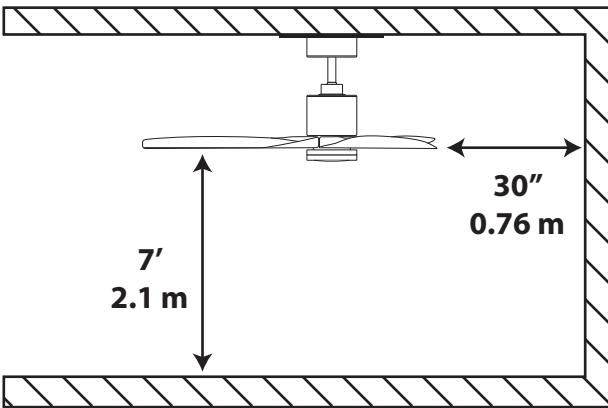
Applies to both: **Down Rod Installation** **Flush Mount**

In your panel, turn OFF the switches or fuses that feed electricity to the electric box you will be using to install your fan. Also turn off the wall switch that feeds that box.

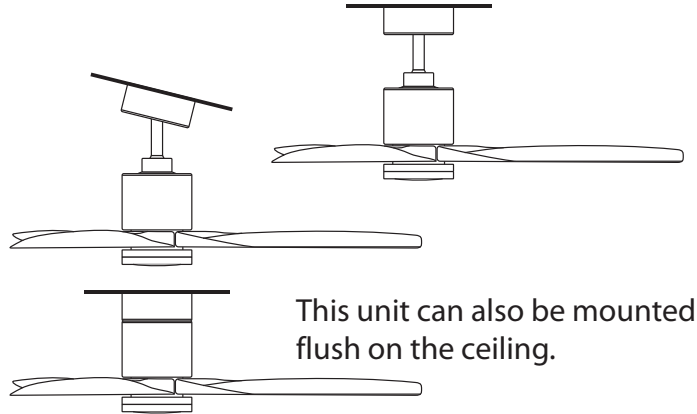


⚠ WARNING: Failure to disconnect power supply to the box may result in serious injury. Turn off circuit breakers or take out fuses now.

The fan must be mounted with a minimum of 7 ft. (2.1 m) clear distance from the blades to the floor and 30" (0.76 m) clear from any wall or object.



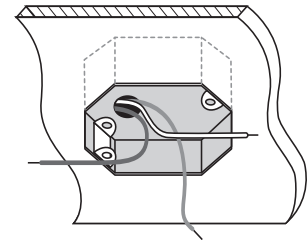
This fan can be mounted with the Down Rod (6) in a flat ceiling or a vaulted ceiling as long as the angle of the ceiling is under 19 degrees.



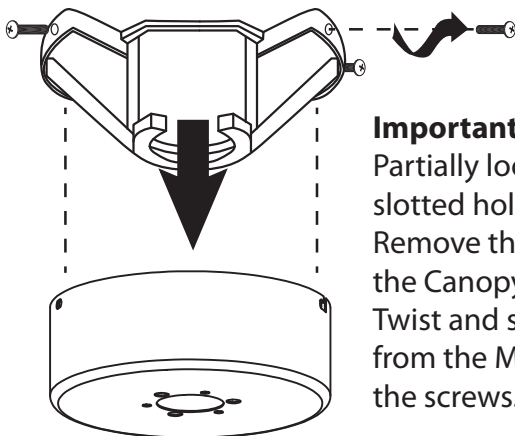
This unit can also be mounted flush on the ceiling.

⚠ WARNING: The electrical outlet box should be clearly marked "Suitable for Fan Support". Failure to do this may result in serious personal injury.

Make sure that your box is properly grounded and has either a green or a bare wire.

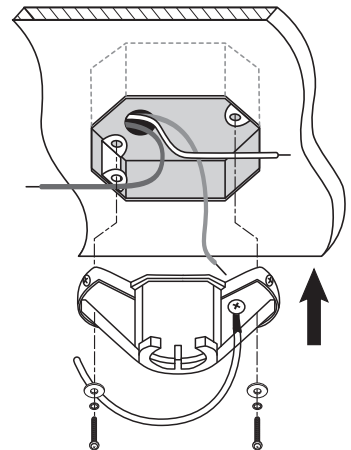


Installing Mounting Bracket



Important: Partially loosen the screws in the slotted holes of the Canopy. Remove the other 2 screws from the Canopy/Bracket assembly. Twist and separate the Canopy from the Mounting Bracket. Save the screws.

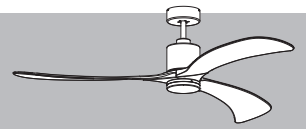
Pass the wires in the electrical box through the centre of the Mounting Bracket. Install the Mounting Bracket onto the electrical box using the screws and washers that came with the box. Please note to put the opening of the bracket towards the top if installing on a vaulted ceiling.



If you are doing a Down Rod Installation
Go to page 7

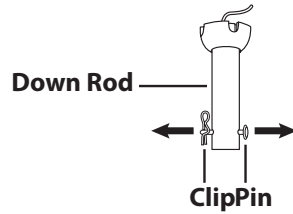
If you are doing a Flush Mount Installation
Go to page 9

Down Rod Installation

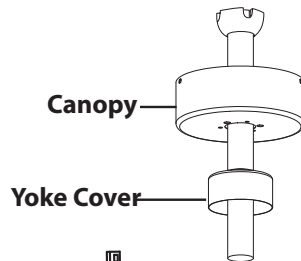


Installing the Down Rod

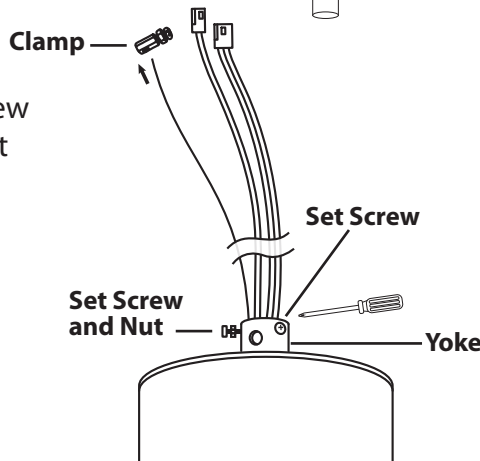
1. Remove the Clip (6A) and Pin (6B) from your Down Rod (6). Save the Clip and the Pin.



2. Insert the Canopy (5) and the Yoke Cover (7) following the drawing on the right. Put this assembly aside.

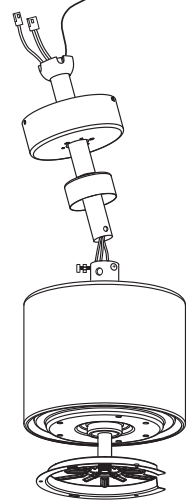


3. Loosen the Set Screw and Nut and the Set Screw on the Yoke. Take the Clamp out from the Safety Cable.

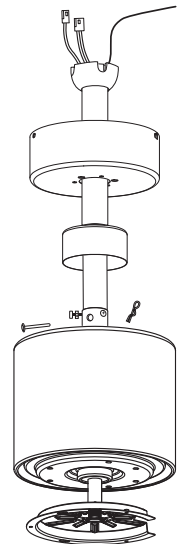


4. Thread the wires and safety cable that comes from the Motor Assembly through the Down Rod.

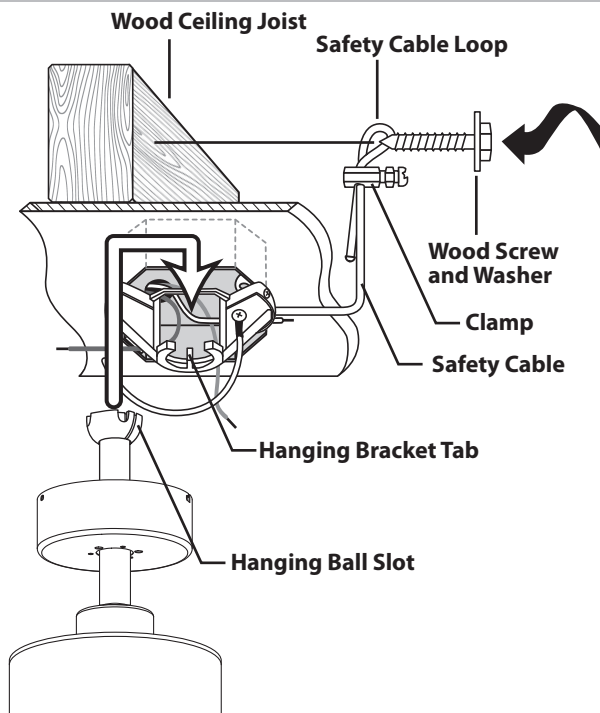
Down Rod Installation



5. Insert the Down Rod into the Yoke making sure that the wires are not twisted and aligning the holes for the pin on the Down Rod with the holes in the motor Yoke. Insert Pin all the way through and put the Clip in place. Secure tightly the 2 Set Screws and Nut. Lower Yoke cover until it rests on the Motor Assembly.



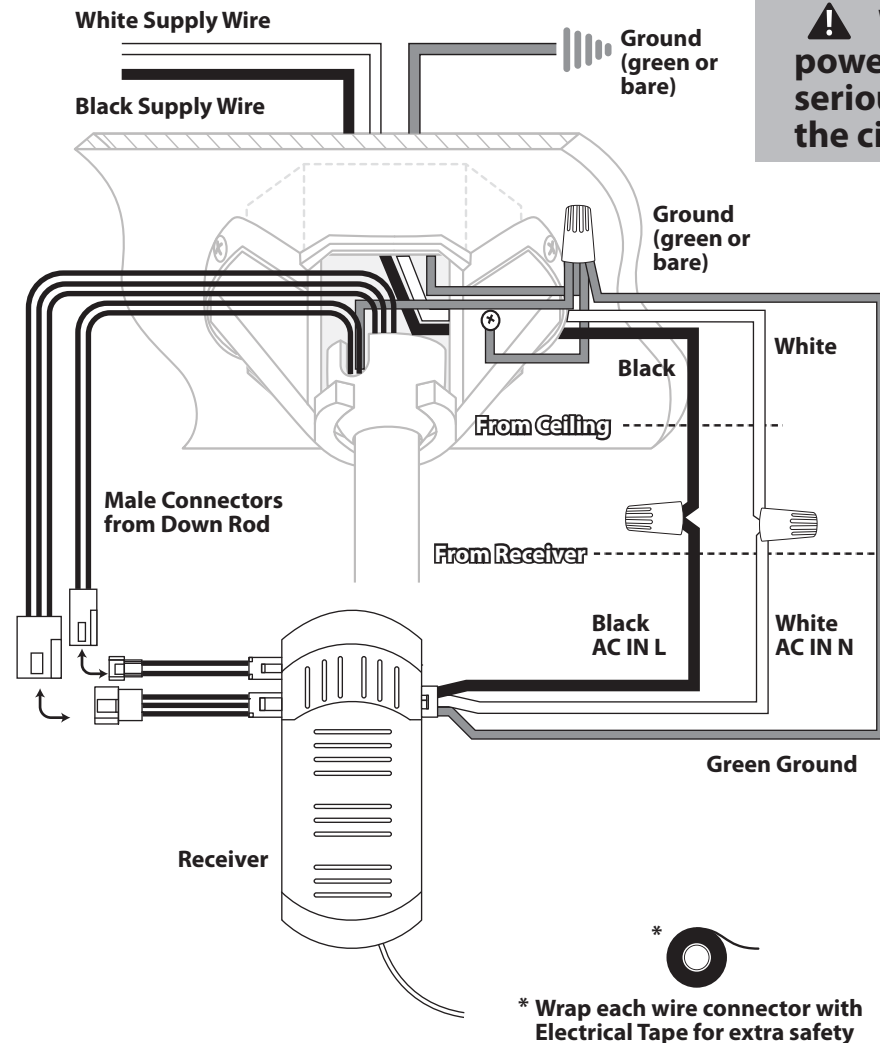
Securing Fan to Bracket



⚠ WARNING: Failure to align hanging ball slot with hanging bracket tab may result in serious personal injury or death.

1. Using a step ladder lift the fan and using the opening in the bracket, insert the hanging ball part of the Down Rod into the bracket and let it rest there. **Gently turn the Down Rod until you see and feel that the ball slot engages firmly with the hanging Bracket tab.**
2. Find a secure place (preferably a joist) and using a wood screw and washer (not supplied) secure the safety cable to it. Adjust the slack of the safety cable using the clamp. **(This step is NOT required in the US, you can cut the safety cable or just coil it around the canopy.)**

Electrical Installation with Down Rod

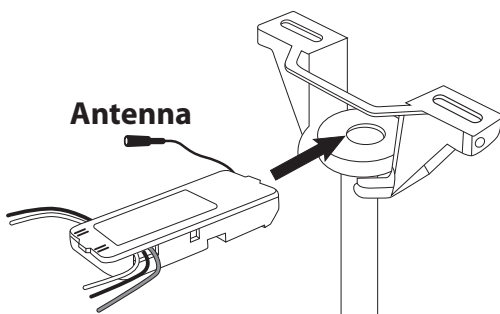


⚠ WARNING: Failure to disconnect power supply to the box may result in serious injury. Double check now that the circuit breakers to the box are off.

Insert the 3-piece male connector from the Down Rod to receiver's 3-piece female connector. Make sure the Red wire aligns with the Red wire, the Brown with the Brown and the Yellow with the Yellow. Then insert the 2-piece male connector from the Down Rod to receiver's 2-piece female connector aligning White with White and Black with Black.

Using the wire connectors:

1. Connect the L (Black) wire from your Receiver to the Live (Black) wire from your ceiling electric box.
2. Connect the N (White) wire from your receiver to the Neutral (White) wire from your ceiling electric box.
3. Connect the green Ground wire that comes from the Ball of the Down Rod to the Green wire that comes from your receiver, the green wire from your bracket and to the green wire (if there is one) that comes from your box and at the same time to the bare or green wire that comes from your electric supply wire bundle.

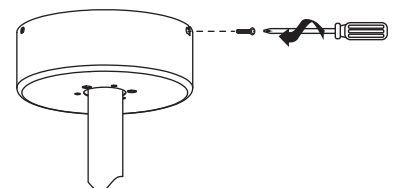


Gently insert the receiver into the Mounting Bracket with the flat part towards the top. Carefully push wires and wire connectors into the electric box leaving the antenna outside of the Mounting Bracket.

Spliced conductors should be turned upward and pushed carefully up into outlet box. The wires should be spread apart with the grounded conductor and the equipment-grounding conductor on one side of the outlet box.

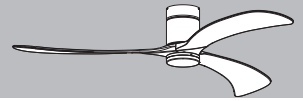
Replacing the Canopy

Lift canopy to Mounting Bracket and align slotted holes in canopy with loosened screws in Mounting Bracket. Twist canopy to lock. Tighten all canopy mounting screws securely. Ensure that wires have not been compressed by the canopy.



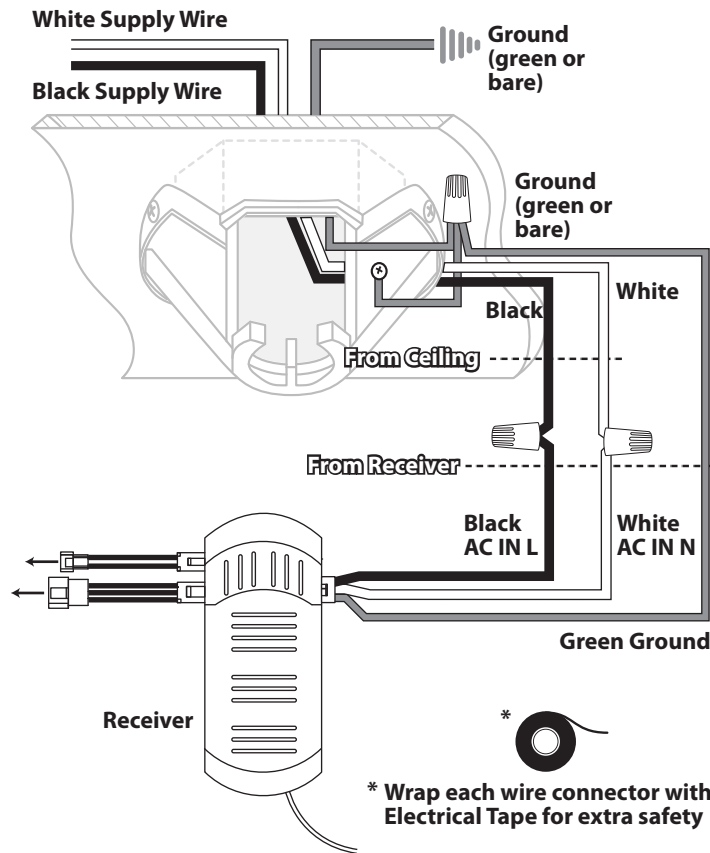
Go to Page 11 to complete your installation

Flush Mount Installation



Flush Mount

Electrical Installation for Flush Mount



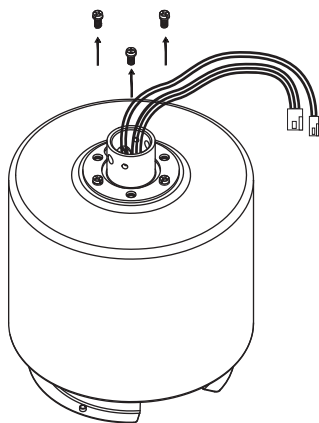
⚠ WARNING: Failure to disconnect power supply to the box may result in serious injury. Double check now that the circuit breakers to the box are off.

Using the wire connectors:

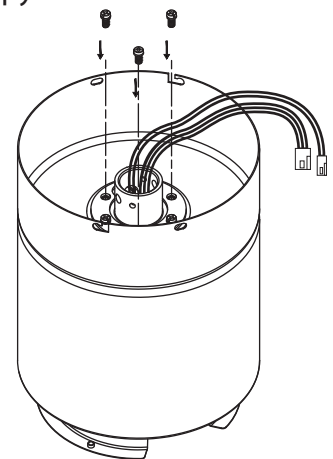
1. Connect the L (Black) wire from your Receiver to the Live (Black) wire from your ceiling electric box.
2. Connect the N (White) wire from your receiver to the Neutral (White) wire from your ceiling electric box.
3. Connect the green Ground wire that comes from the receiver to the green wire that comes from your Bracket, also to the green wire (if there is one) that comes from your box and at the same time to the bare or green wire that comes from your electric supply wire bundle.

Flush Mount Installation

Remove 3 opposing screws from the Yoke in the top side of the Motor Assembly. Save the screws.



Thread the wires from the Motor Assembly through the centre of the canopy.



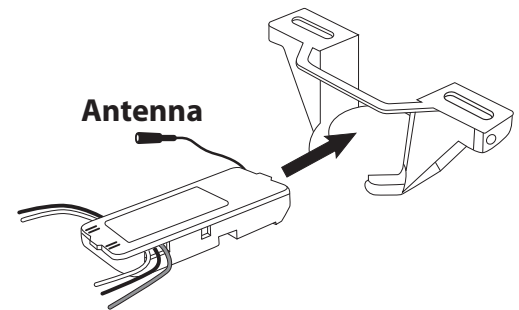
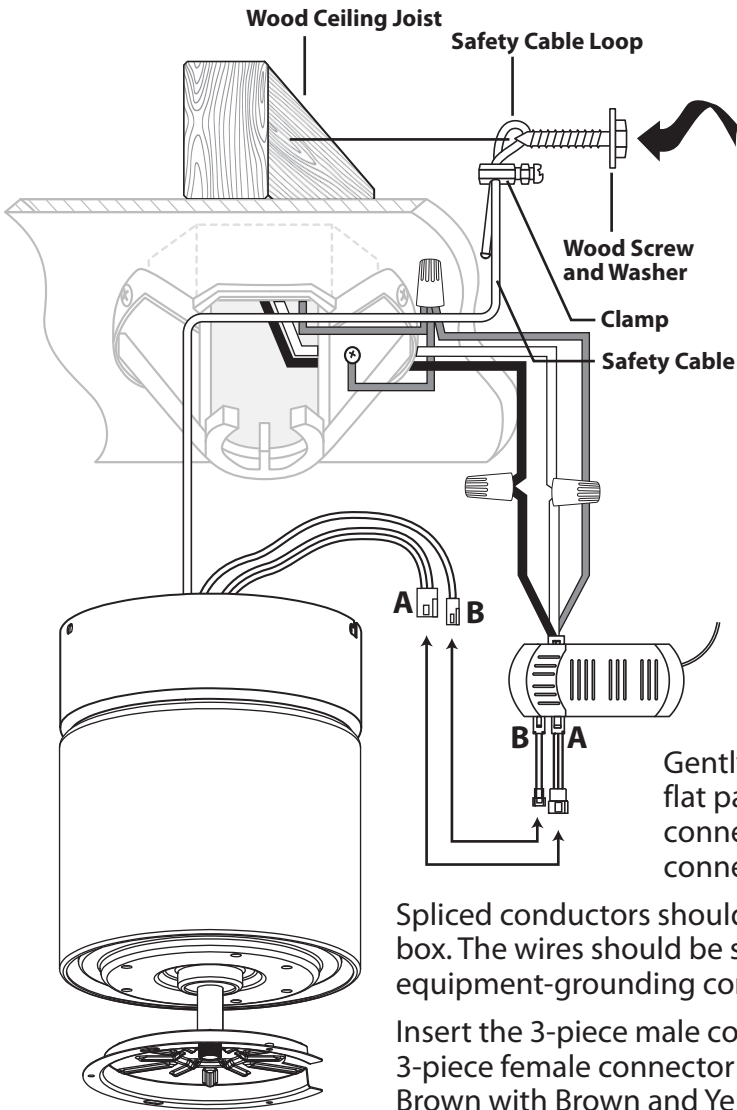
Place the Canopy so that the 3 large holes in the Canopy align with the 3 heads of the screws you left on the Yoke.

The 3 small holes should align with the threads in the Yoke. Replace the 3 screws you took out in those holes and tighten.

Securing Fan to Bracket, Flush Mount

⚠ WARNING: Failure to secure safety cable with solid anchoring place may result in serious personal injury or death.

It is recommended that 2 people are involved in this step. Using a step ladder lift the fan assembly with the canopy attached, find a secure place (preferably a joist) and using a wood screw and washer (not supplied) secure the safety cable to it. Adjust the slack of the safety cable using the clamp. Even though this step is not required in the US, this eases the installation process.



Gently insert the receiver into the Mounting Bracket with the flat part towards the top. Carefully push wires and wire connectors into the electric box leaving the antenna and connectors outside of the Mounting Bracket.

Spliced conductors should be turned upward and pushed carefully up into outlet box. The wires should be spread apart with the grounded conductor and the equipment-grounding conductor on one side of the outlet box.

Insert the 3-piece male connector **A** from the Motor Assembly to receiver's 3-piece female connector **A**. Make sure the Red wire aligns with the Red wire, Brown with Brown and Yellow with Yellow. Then insert the 2-piece male connector **B** from the Motor Assembly to receiver's 2-piece female connector **B**. Put the wires back inside the Canopy so that they relaxed.

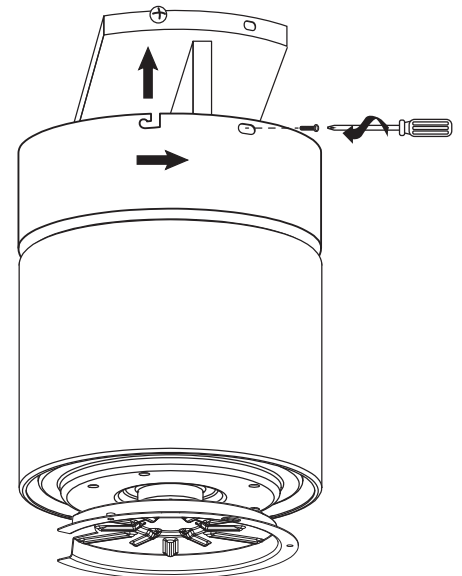
⚠ WARNING: Failure to secure the Canopy to the Mounting Bracket may result in serious personal injury or death.

Lift the Motor Assembly aligning the slot with the screws (one on each side) you left loose in the Mounting Bracket.

Once they engage twist the Motor Assembly clockwise.

Insert the two screws you took out in the holes that should be aligned with the threaded holes in the Mounting Bracket.

Tighten SECURELY ALL SCREWS. ENSURE that wires have not been compressed by the Canopy

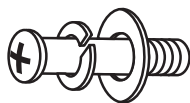


Go to Page 11 to complete your installation

From here on the installation is the same for both Down Rod and Flush Mount Installation

Installing the Blades for Down Rod and Flush Mount

Take 2 Blade Screws from Pack of Blade Screws (9) and make sure that the spring washer and the flat washer are in place with the flat washer towards the threads of the screw.



Align the window on the lower part of the Motor Assembly with 2 screw holes in the motor.

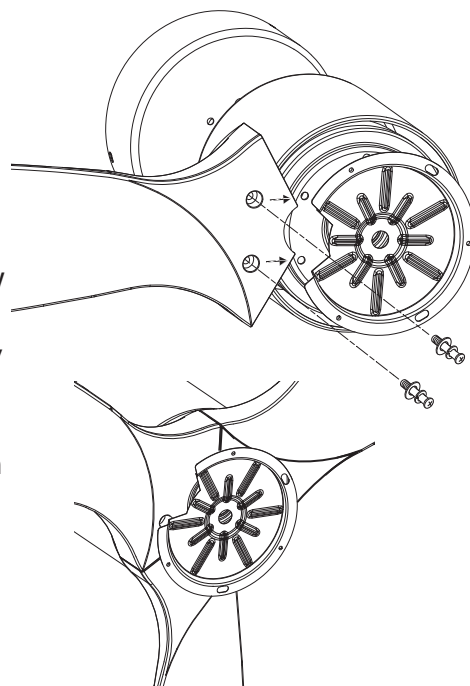
Insert the 2 Blade Screws with Blade Washers and tighten them securely with a Philips screwdriver.

Check that the 2 screws are tight before you go to the next step.

Rotate the secure blade until you can align another set of screw holes in the motor with the window in the lower part of the Motor Assembly.

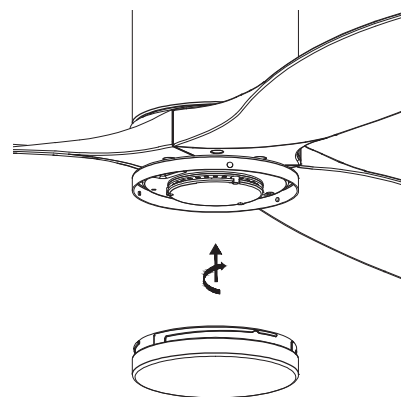
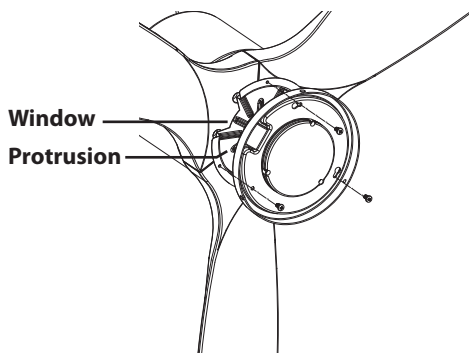
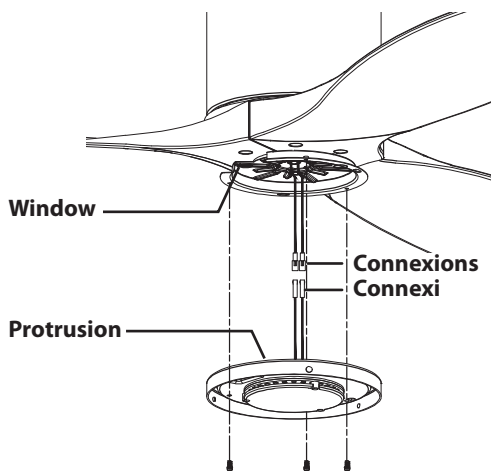
HAND TIGHTEN ONLY. DO NOT USE A POWER TOOL TO TIGHTEN BLADE SCREWS.

Repeat the process for the other 2 Blades.



Installing the Light

Remove the 3 screws in the underside of the Motor Assembly.



Connect the wires from the Lamp Base with the wires in the lower part of the Motor Assembly using the pre-installed electric connexions. White with White, Black with Black.

Align the window in the underside of the Motor Assembly with the protrusion in the back of the Lamp Base. Push the Lamp Base up making sure they fit together. Replace the 3 screws you removed. Tighten them.

Lift the Lamp Shade and push it gently into the Lamp Base.
Turn clockwise to lock in place.
DO NOT overtighten as this may crack the Shade.

Getting to Know Your Remote Control

ON/OFF Switch:

If fan is OFF and lights are OFF, it turns fan ON in speed 3, light at medium. If pressed again, it turns everything OFF

Very High Speed*

High Speed*

Medium High Speed*

Breeze Mode:

Sets fan in a gentle, sequential speed change for a soothing cooling effect

Dims Light

Turns Light ON at very low or OFF

3 Hour Countdown Timer

* Fan Speed Buttons:

If pressed while fan is OFF, it turns fan ON at this speed. If pressed when fan is ON it takes the fan to that speed.

ECO Mode:

Sets fan in reverse mode for winter energy savings

Very Low Speed*

Low Speed*

Medium Low Speed*

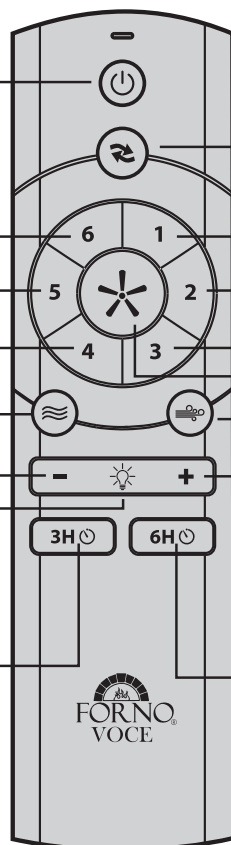
Switches ONLY the fan OFF

Wind Mode:

Sets fan in a vigorous, random speed change for a brisk cooling effect


Makes Light Brighter

6 Hour Countdown Timer



You are ready to use your Remote Control!

Checking Your Installation

- Check that the fan is correctly positioned: the blades at least 7ft. (2.1m) off the floor and the tip of the blades at least 30in (0.76m) from any object.
- Check that the supports, bracket, fan blades and light are securely attached.
- Clean the blades and body of the fan using a soft, lint free cloth or a soft brush. DO NOT use water as it may damage the internal parts.
- Turn on your circuit breaker switches or replace the fuses in your fuse box.
- Turn on the wall switch that provides power to the box where the fan has been installed.
- Place 2AAA batteries (not included) in your remote control following the polarity indicated in the battery compartment of your remote control.
- Press #1 in your remote control. The fan should start in low speed and you should feel a gentle breeze going from ceiling to floor. If the fan wobbles, stop the fan and go to the trouble shoot section.
- Press #3 in your remote control. The fan should move on to a medium speed and you should feel a breeze going from ceiling to floor. If the fan wobbles, stop the fan and go to the trouble shoot section.
- Press #6 in your remote control. The fan should move on to a high speed and you should feel a strong breeze going from ceiling to floor. If the fan wobbles, stop the fan and go to the trouble shoot section.
- Press the Light Icon, light should switch on.
- Press the **+** sign to the right of the light icon, the light should go brighter.
- Press the **-** sign to the left of the light icon, the light should go dimmer.
- Press the On/Off button at  the top of your remote control. The fan and the light should turn Off.



Congratulations!

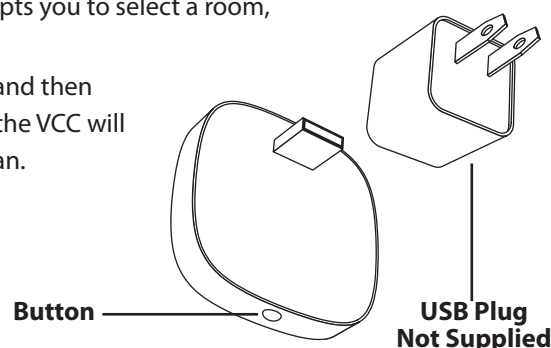
You have completed successfully the functional test of your fan. Now go to the section for setting up your Voice Command Centre (VCC).

Installing the Voice Command Centre (VCC)

Your FORNO Fan comes with a unique Voice Command Centre (VCC) that **allows you to take full control of your fan with only your voice.** To install this device you will need to follow the following steps:

- Turn OFF the wall switch that provides power to the box where the fan has been installed.
- Select a wall electricity receptacle that is in the room where the fan is within 16ft (5m) of the fan.
- Using an USB plug (not supplied), plug in your VCC to the USB plug and plug both to the selected receptacle. For best results do not place your VCC behind large furniture nor appliances.
- Follow the voice instructions that the VCC will give you to set up the room that your fan is in.
- If a room has not been selected within 1 minute of the second time the VCC prompts you to select a room, the system will default to “**FORNO Home**” as the room for this fan.
- After that is set, you will need to short press the button at the bottom of the VCC and then long press for 3 seconds to pair the fan and the VCC. Follow the instructions that the VCC will give you that include turning on the wall switch that provides electricity to your fan.
- The voice instructions and actions are also described below.
- Once the pairing is done you will be able to control your fan by using your voice.
- Please go to the next page for a full list of the voice commands available.

The list is also available if you install the Forno APP.



VCC Voice Instructions and Actions

Please make sure that the wall switch where your fan has been installed is Off before you begin.

When you plug in your VCC for the first time it will say:

“Welcome to FORNO VOCE. Depending on the room you are placing me, please say now either **FORNO Home**, **FORNO Dining** or **FORNO Bedroom**.”

Action: You need to say out loud: “**FORNO Home**”, “**FORNO Dining**” or “**FORNO Bedroom**” according to the name that fits better the location of your fan. **You can only choose and say ONE location.**

When the VCC recognizes your voice it will say:

“Welcome to FORNO VOCE World to wake me up you can call Forno Home”. If **FORNO Home** is the room you selected. **“FORNO Home” will be the wake-up call for this VCC from now on.**

It will say “Welcome to FORNO VOCE World to wake me up you can call Forno Dining”. If **FORNO Dining** is the room you selected. **“FORNO Dining” will be the wake-up call for this VCC from now on.**

It will say “Welcome to FORNO VOCE World to wake me up you can call Forno Bedroom”. If **FORNO Bedroom** is the room you selected. **“FORNO Bedroom” will be the wake-up call for this VCC from now on.**

This will be the ONLY wake up call for that VCC from now on. You always need to use this call to put your VCC in alert mode so it can take further commands.

If a room has not been selected within 1 minute of the second time the VCC prompts you to select a room, the system will default to “**FORNO Home**” as the room for this fan.

To pair your fan to the VCC do a short press (just a pulse) followed by a long press (3 seconds) of the button at the lower part of the VCC and it will say:

“If you are pairing a fan, switch on the power to the fan now”.

Action: **Switch on the wall switch that provides power to the fan.**

The fan will open a pairing window of **30 seconds**. The fan will beep when the pairing is done.

You are ready to give voice instructions to your fan!

Note: You can turn the LED light on or off by short pressing the button at the bottom of the VCC.



Voice Commands

Your Forno Voice Command Centre (VCC) will respond and take action to the following voice commands:

Item	Voice Command	VCC Reply	Action
1	Forno Home	Hello	VCC is ready and alert, waiting for further commands if this was the “wake-up” call you set
2	Forno Dining	Forno Dining, Hi	VCC is ready and alert, waiting for further commands if this was the “wake-up” call you set
3	Forno Bedroom	Forno Bedroom, Yes	VCC is ready and alert, waiting for further commands if this was the “wake-up” call you set
4	Volume High	Loud	Sets VCC voice Volume at High
5	Volume Medium	Medium	Sets VCC voice Volume at Medium
6	Volume Low	Quiet	Sets VCC voice Volume at Low
7	Fan High Speed	Sure, Fan High	Ceiling Fan turns On at High Speed or goes to High Speed from whatever speed it is at
8	Fan Medium Speed	OK, Fan Medium	Ceiling Fan turns On at Medium Speed or goes to Medium Speed from whatever speed it is at
9	Fan Low Speed	Fan Low	Ceiling Fan turns on at Low Speed or goes to Low Speed from whatever speed it is at
10	Fan Faster	OK, Fan Faster	Fan turns On at very low speed. If already on, starts going 10% faster speed from where it is at
11	Fan Slower	Fan Slower	If off, stays off. If on, fan goes to 10% slower speed from where it is at
12	Fan Switch Off	Sure, Fan Turn Off	Fan turns Off
13	Timer Start	Timer Start	Timer turns on to a count down of 3 hours
14	Eco Mode On	Sure, Eco Mode On	Eco Mode (reverse rotation) is started
15	Breeze Mode On	OK, Breeze Mode On	Breeze Mode turns On. Your fan goes into a sequential speed change that provides a breeze feeling
16	Wind Mode On	Wind Mode On	Wind Mode turns On. Your fan goes into a random speed change that provides a vigorous feeling
17	Light High	Sure, Light High	Light turns on at Full power or goes to Full power from wherever it is
18	Light Medium	OK, Light Medium	Light turns on at Medium power or goes to Medium power from wherever it is
19	Light Low	Light Low	Light turns on at Low power or goes to Low power from wherever it is
20	Light Brighter	OK, Light Brighter	Light turns on at Low Power. If already on, light goes 10% Brighter
21	Light Dimmer	Light Dimmer	If it is off, it stays off. If on, light goes 10% Dimmer
22	Light Off	OK	Light switches Off
23	Light Switch Off	OK	Light switches Off
24		GOODBYE	System Shuts Down after 20 seconds of not receiving a voice command

You are ready to give voice instructions to your fan!

Before you Begin Setting Up the App

The first phone which registers and pairs with the VCC will become the Main User of the FORNO World App. **Keep in mind that there is ONLY ONE Main User.** Please find below a level of authority chart between the users.

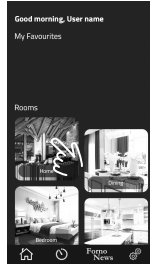
Function	Device					Room				Management		
	Device Control (Fan speed, light, lock)	Delete Device	Add Device	Edit Device Name	Edit / Set Timer	Edit Room Name	Delete Room	Add Room	Change Room Picture	User Management	Language	My Favourite
Main User	✓	✓	✓	✓	✓	✓	✓	✓	✓	✓	✓	✓
Sub User	✓	X	✓	X	✓	X	X	X	✓	X	✓	✓
Data Update Between Main and Sub-Users	Auto	Auto	Auto	Auto	Auto	Auto	Auto	Auto	Specific to each User	NIL	Specific to each User	Specific to each User

Setting Up the App

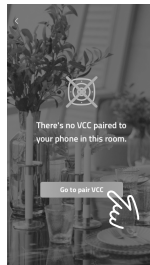
Go to the Apple or Google App store. Search for "FORNO World". You will be able to download a free App that will allow you to fully control your fan (and other FORNO devices that you may purchase). The QR code below will take to the corresponding site. Download the App and register your product following the App instructions. This is important for Warranty purposes.

After you are registered, you will see a screen like this:

1. Tap the room that matches your voice selection or your location. Only ONE room can be selected for one VCC. That room/location will become the wake-up call for that VCC: "**FORNO Home**" for Home, "**FORNO Bedroom**" for Bedroom or "**FORNO Dining**" for Dining Room.



2. A large photo of the room you picked will flash on your screen and then, you will get a screen like this that says "There is no VCC paired to your phone in this room".

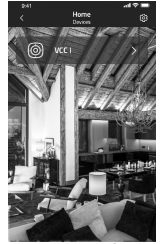


3. Tap "Go to pair VCC"

4. Follow the instructions that the App will give you.

5. The VCC will say "Pairing Successful" when your Phone pairs with your VCC.

6. If you have NOT paired your Fan to your VCC before, your Phone will show a screen like this.



7. Tap ⊕ Add Devices bar and follow the instructions that your App will give you to pair your Fan to your VCC.

8. Once you have successfully completed the Fan pairing or if you had done this before, you will get to a screen like this.



When this process is completed, you will be able to navigate this user friendly App that will allow you to Fully control your fan by using your phone. You will have access to many more speeds and light intensities, you can set your timer and do your scheduling in a much more flexible way plus many more features.




You are ready to control your fan using your phone!

Sharing the App

Once you have set-up the App you have become the Main User. If you want to integrate other phones to be able to use the flexibility of the App you will need to:

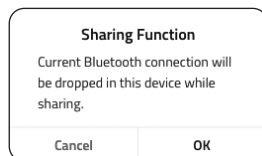
1. Have the other family members download the App from the Apple or Google App store.

2. On the top right hand corner of the Main User phone you will have a Share icon. 

3. On the top right hand corner of the Sub User phones you will have a Scan icon. 

4. Press the Share icon  on the Main User phone.

5. The following message will appear:




Press OK

6. A QR code will show up



7. Please be sure the your VCC is plugged to the USB plug on the wall.

8. Press the Scan icon  in the other Sub User phones and scan the QR code.

Your Sub Users are ready to control the fan using their phone!

They can also do many other things like personalize their favourites, change the pictures for the rooms, set the timers, lock the VCC so it cannot be voice activated, add other devices even change the language they want to have in their App!

Please note that only one User can be on the App interacting with the Fan at a time. The User needs to close the App by pressing the button at the bottom of their phone, swipe the App off their phone or let the phone screen time out and go dark before another User can get on the App to control the fan.

Communication Device Cautions

The FCC and the IC require for us to place the following warnings in the manuals of every communication device that is tested to meet their standards:

FCC Compliance

Warning: Changes or modifications to this unit not expressly approved by the party responsible for compliance could void the user's authority to operate the equipment.

NOTE: This equipment has been tested and found to comply with the limits for a Class B digital device, pursuant to Part 15 of the FCC Rules. These limits are designed to provide reasonable protection against harmful interference in a residential installation. This equipment generates, uses and can radiate radio frequency energy and, if not installed and used in accordance with the instructions, may cause harmful interference to radio communications.

However, there is no guarantee that interference will not occur in a particular installation. If this equipment does cause harmful interference to radio or television reception, which can be determined by turning the equipment off and on, the user is encouraged to try to correct the interference by one or more of the following measures:

- * Reorient or relocate the receiving antenna.
- * Increase the separation between the equipment and receiver.
- * Connect the equipment into an outlet on a circuit different from that to which the receiver is connected.
- * Consult the dealer or an experienced radio/TV technician for help.

This device complies with Part 15 of the FCC Rules. Operation is subject to the following two conditions:

1. This device may not cause harmful interference, and
2. This device must accept any interference received, including interference that may cause undesired operation.

Caution: To maintain compliance with the FCC's RF exposure guidelines, place the product at least 20cm from nearby persons.

IC Compliance

This device has been tested to meet Industry Canada technical specifications. This device contains licence-exempt transmitter(s)/receiver(s) that comply with Innovation, Science and Economic Development Canada's licence-exempt RSS(s). Operation is subject to the following two conditions:

1. This device may not cause interference.
2. This device must accept any interference, including interference that may cause undesired operation of the device.

To maintain compliance with the RF exposure guidelines, place the product at least 20cm from nearby persons.

Antennae and Other Communications Information


The VCC has 2 Antennas: 433Mhz and Bluetooth.
Complies with: **CAN ICES-3 (B) / NMB-3 (B).**

Trouble Shooting


	Problem	#	Solution
A	Fan Does Not Start	1	Check circuit breakers or fuses that supply power to the area
		2	Check that the wall switch that provides power to the fan is on
		3	Ensure that your remote is under 33' (10m) away from your fan or closer if objects are in the way
		4	Check batteries in your remote control
		5	If you have done all of the above disconnect the circuit breakers or fuses that provide power to the area and check your wiring according to the Electrical Installation diagram
B	Fan Wobbles	1	Check the yoke set screws and tighten
		2	Check the set screw between the hanging ball and down rod and tighten
		3	Check that all blade related screws are tight and secure
		4	Call our customer service if the wobbling continues
C	Fan is Noisy	1	Ensure all fan screws are tight
		2	Ensure that the glass shade is positioned properly in the housing and that the clamps are tight
		3	Ensure that the canopy is not hitting the ceiling, adjust if necessary
		4	Ensure that the outlet box is secure and that the rubber isolating pads that come attached to the Mounting Bracket are in place between it and the electrical outlet box
		5	Allow for a 24 hour break in period, most noises in a new fan disappear within this time
D	Remote Does Not Work	1	Check that batteries are installed properly in the battery compartment (AAA not supplied)
		2	Check that batteries are fresh and that there has been no fluid leakage or rust
		3	Ensure that your remote is under 33' (10m) away from your fan or closer if objects are in the way
		4	The Pairing between your remote control and the fan might have been dropped. Turn the switch that provides power to your fan OFF. After 5 seconds turn it back on again. Immediately press for 5 seconds the ON/OFF switch in your remote. You will hear a "beep" from your fan. Your remote has been successfully re-paired.
E	VCC Does Not Work Properly	1	Check that VCC is connected properly to a working USB transformer
		2	Ensure that there is power in the receptacle where you connected the USB transformer
		3	Check in your App that your device is not locked nor muted
		4	Ensure that your VCC is under 33' (10m) away from your fan or closer if objects are in the way
		5	Ensure that you are under 16' (5m) away from your VCC when you are giving it commands
		6	Try changing the cadence (speed) when you are saying the wake-up call or a command
		7	Ensure that your set-up was done properly and that you are using the correct wake-up call
		8	If you have forgotten the wake-up call, unplug your VCC, wait for 10s and then re-plug it. Your VCC will tell you the wake-up call for it
		9	If everything above has failed or if you are installing a VCC that has been deleted in the App, you can do 3 quick short presses of the button at the lower part of the VCC, then one long press (3 sec). Your VCC will say "Decoupled" and it will be RESET back to original specifications. You will need to install again your VCC. Please go to the appropriate section. ⚠ WARNING: You will need to install and pair again your VCC.
F	Your App Does Not Work Properly	1	Check that VCC is connected properly to a working USB transformer
		2	Ensure that there is power in the receptacle where you connected the USB transformer
		3	Ensure that your phone is under 33' (10m) away from your VCC or closer if objects are in the way
		4	Ensure that no other User is engaged at this moment with the App
		5	If you are having issues or if there is a time lag in the response of your App, refresh your App by closing and re-opening it
		6	If everything above has failed or if you are installing a VCC that has been deleted in the App, you can do 3 quick short presses of the button at the lower part of the VCC, then one long press (3 sec). Your VCC will say "Decoupled" and it will be reset back to original specifications. You will need to install again your VCC. Please go to the appropriate section. ⚠ WARNING: You will need to install and pair again your VCC.
G	Light Does not Work Properly	1	Check that the connexions between the wires from the motor and the wires from the light are done well (White with White, Black with Black) and secure
		2	If the light flickers, check that all the grounding is done properly. The Receiver, the Ball of the Down Rod, your Box, your bracket and the ground in your electric supply bundle have to be securely connected

Performance and Energy Information

CF01666

ENERGYGUIDE			
Estimated Yearly Energy Cost \$3		Airflow 4,762 Cubic Feet Per Minute	
		* The higher the airflow, the more air the fan will move * Airflow Efficiency: 417 Cubic Feet Per Minute Per Watt	
Cost Range of Similar Models (19" – 84") • Based on 12 cents per kWh and 6.4 hours use per day • Your cost depends on rates and use • Energy Use: 11 Watts			
All estimates based on typical use, excluding lights ftc.gov/energy			
Fan Speed	Airflow (CFM)*	Power (Watts)	Efficiency (CFM/Watt)
High	6,879	16.4	421
Low	2,363	2.19	1,079
<small>* Measured by Intertek according to DOE and CEC standards.</small>			

CF01672

ENERGYGUIDE			
Estimated Yearly Energy Cost \$4		Airflow 5,916 Cubic Feet Per Minute	
		* The higher the airflow, the more air the fan will move * Airflow Efficiency: 412 Cubic Feet Per Minute Per Watt	
Cost Range of Similar Models (19" – 84") • Based on 12 cents per kWh and 6.4 hours use per day • Your cost depends on rates and use • Energy Use: 14 Watts			
All estimates based on typical use, excluding lights ftc.gov/energy			
Fan Speed	Airflow (CFM)*	Power (Watts)	Efficiency (CFM/Watt)
High	8,389	24.7	339
Low	3,027	2.48	1,220
<small>* Measured by Intertek according to DOE and CEC standards.</small>			



The Bluetooth Registered word mark and logos are registered trademarks owned by Bluetooth SIG, Inc. and any use of such marks is under license. Android, Google Play, App Store and their logos are used under license.

Made in China

Warranty

CTM Maison Elite Inc. grants this limited warranty to the original purchaser of this ceiling fan from the date of purchase. Proof of purchase is required when requesting any warranty assistance.

Motor, Limited Lifetime: If any part of your ceiling fan **motor** fails during your ownership of the fan due to a defect in material or workmanship, as determined solely by CTM Maison Elite Inc., we will provide you with a replacement fan motor. If no replacement motor can be provided for your fan, we will provide a comparable or superior replacement motor or fan at our sole discretion.

Other Parts, Limited One Year: CTM Maison Elite Inc. warrants that all other fan parts, excluding any glass or ABS blades, to be free from defects in workmanship and material at the time of manufacture for a period of one year. We agree to send a replacement part without charge or at our option replace it with a comparable or superior part.

To the extent permitted by law, CTM Maison Elite Inc. disclaims any and all warranties, including but not limited to those of merchantability and fitness for a particular purpose. There is no other express warranty. The duration of any implied warranty which cannot be disclaimed is limited to the period specified in the express warranty. Some states do not allow a limitation on how long an implied warranty lasts. The time limitation may not apply to you. Some states do not allow the exclusion of incidental or consequential damages, so the above limitation may not apply to you. This warranty gives specific legal rights. You may also have other rights which vary from state to state. The retailer shall not be liable for incidental, consequential, or damages arising out of or in connection with product use or performance except as may otherwise be accorded by law.

This limited warranty is non transferable to the original purchaser of this ceiling fan and will be void if unit is removed from it's original installation.

This warranty does not cover: ordinary wear and tear, minor cosmetic blemishes, batteries, light bulbs, refurbished units, fans that are not owned by the original purchaser, acts of God, changes in brass finish including rusting, pitting, corroding, tarnishing, or peeling. A certain amount of "wobble" is normal and will not be considered a defect.

Damage to any part by accident, misuse, abuse, improper installation, improper care and maintenance, improper electric supply or power surge, failure to follow the instructions in the enclosed manual or by any modification to the unit are not covered by this warranty.

All costs of shipping parts, removing, repair labour and reinstalling the product are not covered by this warranty. Please do not ship your fan or any fan parts to CTM Maison Elite Inc. Shipment will not be accepted.

This warranty supersedes all prior warranties.

**FOR WARRANTY PURPOSES
PLEASE REGISTER YOUR PRODUCT
USING THE APP**

Customer Care

Thank you for purchasing a FORNO product. Please read the entire instruction manual before operating your new appliance for the first time. Whether you are an occasional user or an expert, it will be beneficial to familiarize yourself with the safety practices, features, operation and care recommendations of your appliance. Both the model number and serial number are listed on the product. For warranty purposes, you will also need the date of purchase. Record this information below for future reference,

SERVICE INFORMATION

Model Number

Use these numbers in any correspondence or service calls concerning your appliance.

Serial Number

If you received damaged appliance, immediately contact the dealer (or builder) that sold you the appliance.

Date of Purchase

Purchase Address & Phone

Save time and money. Before you call for service, check the Troubleshooting Guide. It lists the causes of minor operating problems that you can correct yourself.

CUSTOMER SERVICE:

Keep the instruction manual handy to answer your questions. If you don't understand something or you need more assistance, please call our Customer Service: 1-866-231-8893

Or email: mysupport@fornoworld.com

Our contact : CTM Maison Elite Inc.

11420 Albert Hudon, Montréal, Québec H1G 3J6, Canada

The instruction manual can be downloaded from www.fornoworld.com or you can tap on the FORNO World App to review the manual on your phone.