

FOTILE

A BREATH OF FRESH ENGINEERING®



Model: EMS9018



Model: EMG9030



Model: EMS9026

PERIMETER VENT SERIES RANGE HOODS



Sold in over **30** countries around the world,
and chosen by **17 million** families



Serving the U.S. market for **9** years



3,500 service technicians in the U.S.



Earned **5,500** kitchen appliance patents
including over **1,100** invention patents



Member of HVI, the most
authoritative and credible
institution in North America



Intelligent Self-Adjusting *

Auto-adjusts speed and height settings
based on the volume of smoke and odors
in your kitchen



High-Powered DC Motor *

Powerful smoke extraction and smooth
ventilation



Capture Shield Technology

Extracts smoke quickly and prevents it from
escaping



Intelligent Air Management *

Automatically detects harmful gases and
exhausts them out



98% Odor Reduction Rate
(97% for EMS9018)

92% Grease Separation Rate

* EMG9030 Only

INDUSTRY LEADING WARRANTY:

PARTS	5-YEAR (LIMITED)
LABOR	2-YEAR
MOTOR	LIFETIME GUARANTEE (LABOR NOT INCLUDED)

Toll Free: 888-315-0366
Address: 6 Campus Dr, Suite 210,
Parsippany, NJ 07054

Official Website: us.fotileglobal.com
Email: serviceusa@fotile.com



YouTube



@fotileamerica



@fotile_usa

FOTILE

A BREATH OF FRESH ENGINEERING®



	EMG9030 Intelligent Self-Adjusting	EMS9026 Adjustable Capture Shield	EMS9018 Auto Turbo System
Width	36in	36in	36in
Motor	DC Motor	AC Motor	AC Motor
Max. EQUIV. CFM	1100	1000	900
Max. Static Pressure	720Pa	500Pa	500Pa
Operation	Touch Screen	Touch Screen	Touch Screen
Number of Speed Settings	4 w/ Auto Turbo Mode	2 + Auto Turbo Mode	2 + Auto Turbo Mode
Capture Shield	Fixed / Intelligent Self-Adjusting	Fixed / Adjustable	Fixed
Delay Shutoff	2/5/10 min.	2 min.	2 min.
Min. Noise Level	40dB	43dB	43dB
Impeller	Patented Bio-Impeller	Durable Metal Impeller	Durable Metal Impeller
Auto Turbo Mode	Y	Y	Y
Intelligent Air Management System	Y	N	N

5-year limited warranty

2-year full warranty. 5-year limited warranty on all parts.
Lifetime warranty on motor.

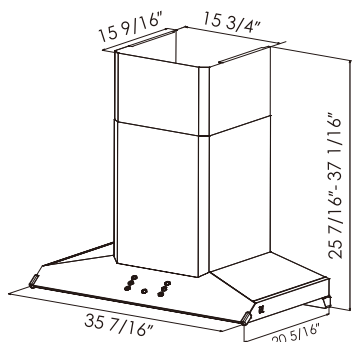


EMG9030

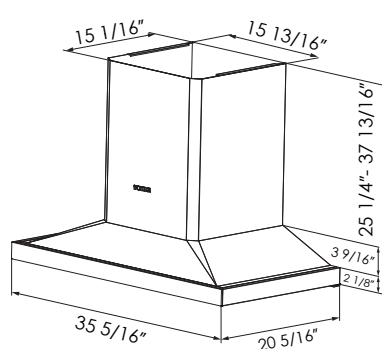


EMS9018

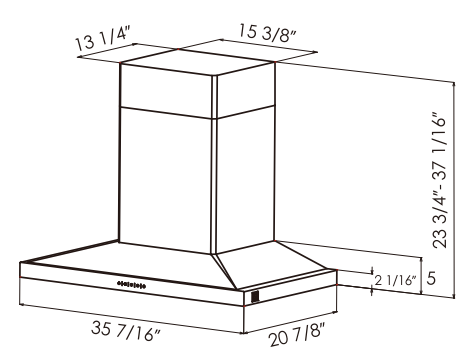
Unit: in



▲ EMG9030 Product Dimensions



▲ EMS9026 Product Dimensions



▲ EMS9018 Product Dimensions