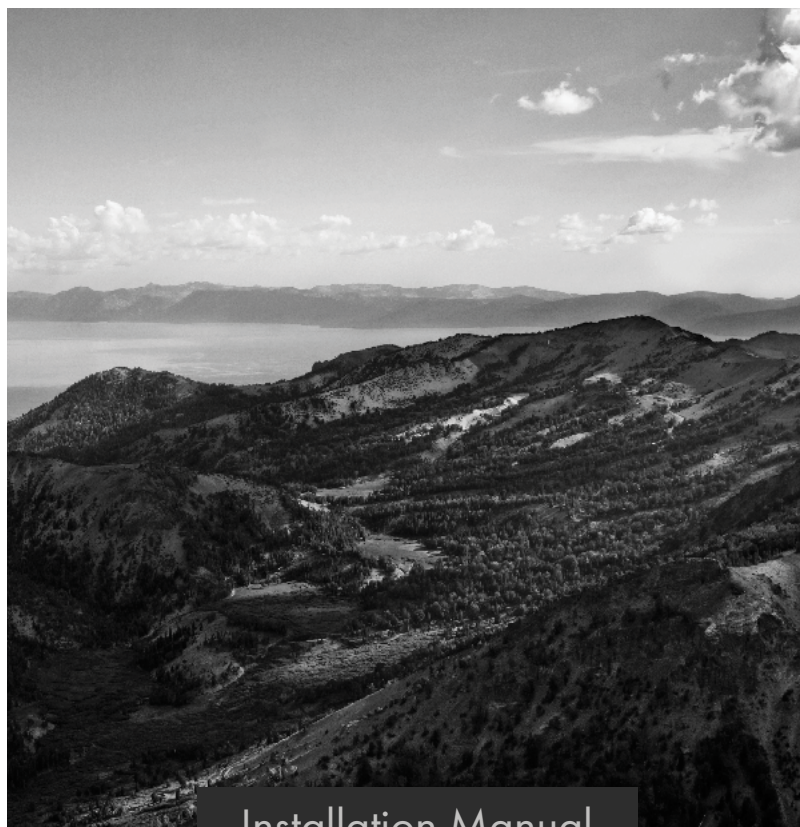


ZLINE

ATTAINABLE LUXURY[®]



Installation Manual

DOUBLE WALL OVEN

www.zlinekitchen.com



ZLINE Kitchen and Bath provides Attainable Luxury, where the kitchen and bath of your dreams is never out of reach. Through our unique designs and unparalleled quality, we're dedicated to providing you an elevated experience in the heart of your home. With an endless selection of features and finishes, our inspiration is your reality.

ZLINE
ATTAINABLE LUXURY®



ZLINE is fueled by a passion for innovation; A relentless pursuit of bringing the highest end luxury designs and professional features into everyone's homes. Because we continually strive to improve our products, we may change specifications and designs without prior notice.

⚠ WARNING: This product can expose you to chemicals including nickel, which is known to the State of California to cause cancer. For more information, go to www.P65Warnings.ca.gov.

TABLE OF CONTENTS

IMPORTANT SAFETY INSTRUCTIONS.....	1
BEFORE INSTALLATION.....	4
Product Specifications	4
Tools and Parts	5
Electrical Requirements	6
INSTALLATION	9
Cutout Dimensions	9
Step 1 - Unpack The Oven	9
Step 2 - Remove The Oven Door	10
Step 3 - Install Oven	11
Step 4 - Electrical Grounding Instructions	11
Step 5 - Mount The Oven	15
Step 6 - Replace The Door	15
Step 7 - Complete Installation.	16
WARRANTY.....	17

IMPORTANT SAFETY INSTRUCTIONS



WARNING

If the information in this manual is not followed exactly, a fire or explosion may result causing property damage, personal injury, or death.

Before beginning installation, please read and follow these important instructions for the safety of your home and the people living in it. Always read and obey all safety measures. To reduce the risk of fire, electrical shock, injury to persons, or damage when using the oven, follow basic precautions, including the following:

PROPER INSTALLATION

This appliance must be properly installed and electrically grounded by a qualified technician. Connect only to a properly grounded outlet. See “Electrical Grounding Instructions” found in the installation instructions on page 11.

- This appliance should be serviced only by a qualified service technician. Contact the nearest authorized service center for examination, repair, or adjustment.
- Do not repair or replace any part of the oven unless specifically recommended by a professional. Refer service to an authorized servicer.
- Do not operate this appliance if it is not working properly or if it has been damaged until an authorized servicer has examined it.
- Install this appliance only in accordance with the installation instructions.
- Use this oven only as intended by the manufacturer. If you have any questions, contact ZLINE at 1-614-777-5004.
- Do not cover or block any openings on this appliance.
- Do not use corrosive chemicals, vapors, or nonfood products in this appliance. This type of oven is specifically designed to heat or cook. It is not designed for industrial or laboratory use. The use of corrosive chemicals in heating or cleaning will damage the appliance.
- The manufacturer will not be responsible for any damage to property or to persons caused by incorrect installation, improper use of the appliance, or failure to heed the warnings listed, and the warranty will be voided.

IMPORTANT SAFETY INSTRUCTIONS

TO REDUCE THE RISK OF FIRE INSIDE THE OVEN

- Do not store flammable materials in or near the oven.
- Do not use water on a grease fire. Smother fire or use a dry chemical or foam-type extinguisher.
- It is highly recommended that a fire extinguisher be readily available and highly visible next to any cooking appliance.
- Do not overcook food. Carefully oversee oven if paper, plastic, or other combustible materials are placed inside the oven.
- Do not use the oven for storage purposes. Do not leave paper products, cooking utensils, or food in the oven when not being used.
- If materials inside the oven should ignite, keep the door closed. Turn oven off and disconnect the circuit at the circuit breaker box.
- Be sure the cooling fan runs whenever the oven is in operation. If the fan does not operate, do not use the oven. Call an authorized service provider.
- NEVER use this appliance as a space heater to heat or warm the room. Doing so may result in carbon monoxide poisoning.

PERSONAL SAFETY

- Do not allow children to use this appliance unless closely supervised by an adult. Children and pets should not be left alone or unattended in the area where the appliance is in use. Never allow children to sit or stand on any part of the oven.
- For personal safety, wear proper clothing. Loose-fitting clothes or garments with hanging sleeves should never be worn while using this appliance.
- Tie long hair so that it doesn't hang loose.
- Do not touch heating elements or interior surfaces of oven.
- The heating elements may be hot even though they are dark in color. Interior surfaces of an oven become hot enough to cause burns.
- During and after use, do not touch or let clothing or other flammable materials contact the heating elements or the interior surfaces of the oven until they have had sufficient time to cool.
- Please note that the trim on the top and sides of the oven door may become hot enough to cause burns.
- Use care when opening the door. Open the door slightly to let hot air or steam escape before removing or replacing food.

IMPORTANT SAFETY INSTRUCTIONS

- Do not heat unopened food containers. Build-up of pressure may cause the container to burst and cause injury.
- Always place oven racks in desired location while oven is cool. If a rack must be moved while oven is hot, do not let potholder contact the hot heating elements.
- Use only dry potholders or oven mitts. Moist or damp potholders on hot surfaces may result in burns from steam. Do not use a towel or other bulky cloth.

SELF CLEANING OVEN SAFETY

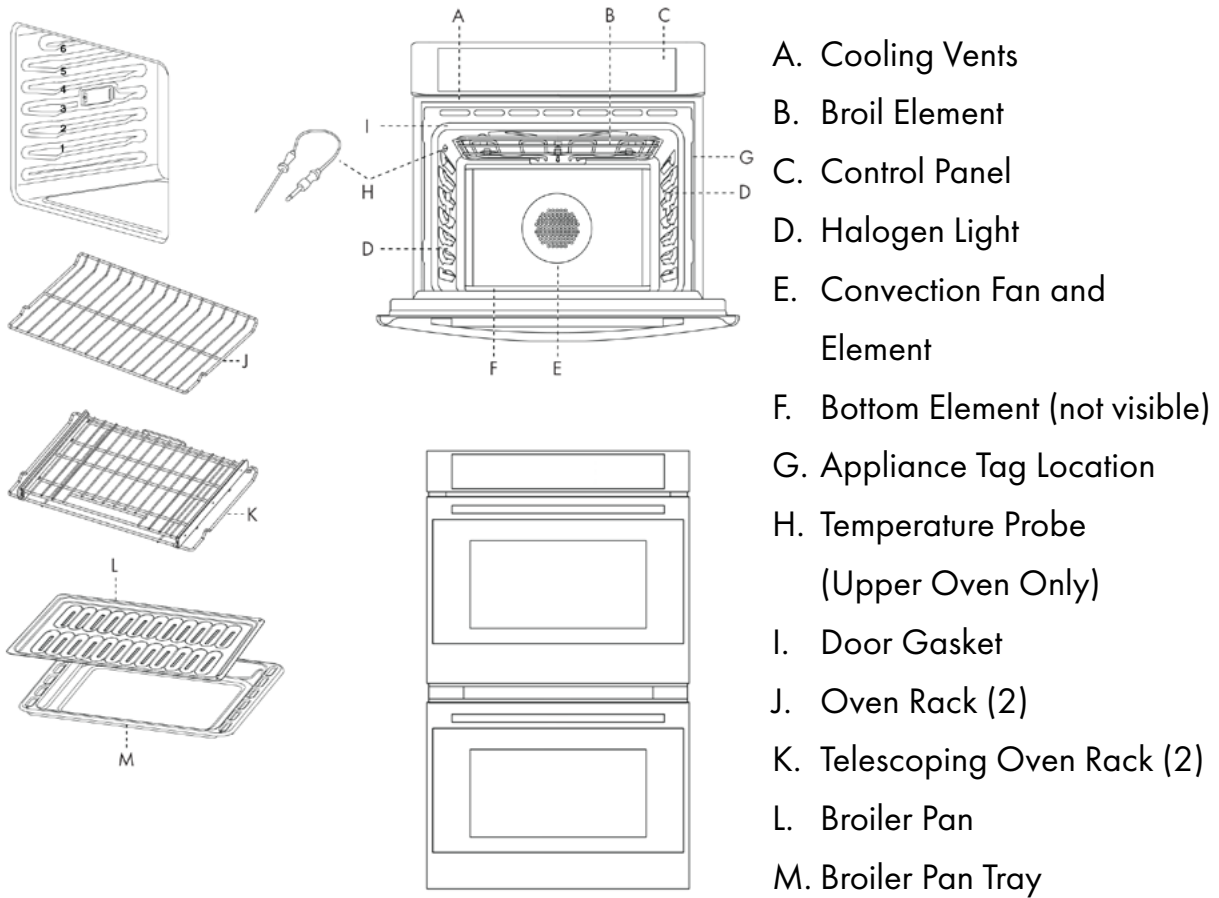
- Before self-cleaning the oven, remove the broiler pan, oven racks, other utensils, and excess soft spillage.
- Confirm that the door locks and will not open once the Self Clean option is selected and the door lock icon appears. If the door does not lock, turn the cook mode selector to OFF and do not run Self Clean. Call ZLINE at 1-614-777-5004 or an authorized service provider.
- Do not clean the door gasket. It is essential for a good seal. Care should be taken not to rub, damage, or remove the door gasket.
- Do not use commercial oven cleaners or oven liner protective coatings of any kind in or around any part of the oven.
- Clean only oven parts listed in this manual.
- Other surfaces of the appliance may become hot enough to cause burns, including oven vent openings and surfaces near these openings, oven doors, and windows of oven doors.
- Turn to the Maintenance and Cleaning section in the User Manual for this product for Self Clean mode operation and other cleaning advice.
- The manufacturer reserves the right to make changes to its products when considered necessary and useful, without affecting the essential safety and operating characteristics.
- **IMPORTANT:** The installer should leave these instructions with the consumer who should retain for local inspectors' use and for future reference.



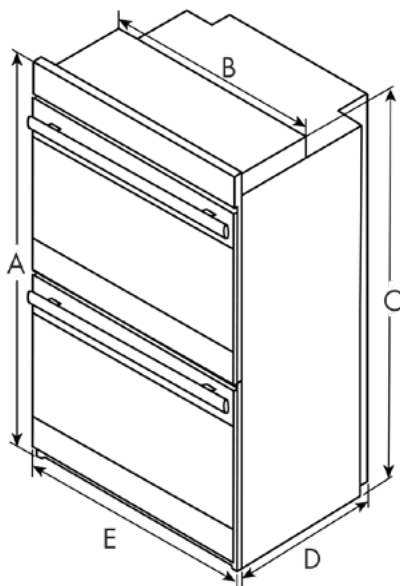
Scan to view the User Manual.

BEFORE INSTALLATION

PRODUCT SPECIFICATIONS



OVEN	PRODUCT DIMENSION	ELECTRICAL RATING AND MAXIMUM CONNECTED LOAD AT 240 VOLTS 60 HZ	
Double Built-In Oven	30" (762 mm) wide	35.4 Amp	8500 Watts



LETTER	DOUBLE OVEN DIMENSIONS
A	51 1/4" (1302 mm) Height (overall)
B	28 3/4" (730 mm) Width (recessed)
C	50 1/8" (1273 mm) Height (recessed)
D*	23 1/2" (597 mm) Depth (recessed)
E	29 7/8" (759 mm) Width (overall)

*From back of unit to cabinet face. The full depth of the unit, including the front frame, is 24 1/2" (610 mm). Full depth including the handle is 27 1/2" (699 mm).

BEFORE INSTALLATION

TOOLS AND PARTS

Gather the required tools before starting installation. Read and follow the instructions provided with any tools listed here. **IMPORTANT:** This appliance must be properly installed and electrically grounded by a qualified technician.

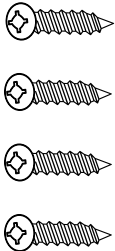
TOOLS NEEDED

- Measuring Tape
- Straightedge
- Pencil or Marker
- Phillips-head Screwdriver
- Level
- Wire Cutters and Wire Stripper
- Hand or Sabre Saw
- 1" Hole Saw
- Cordless Drill and 1/8" Drill Bit
- Safety Gloves and Goggles
- Volt Meter (0-250VAC)

PARTS NEEDED

- UL Listed Conduit Connector
- UL Listed Wire Connectors

PARTS PROVIDED

- #8-14 x 1" Screws (4)
- 
- Four Phillips-head screws are shown vertically. Each screw has a Phillips cross-shaped head and a threaded shaft with a pointed tip.

BEFORE INSTALLATION

ELECTRICAL REQUIREMENTS



ELECTRIC SHOCK HAZARD

If codes permit and a separate ground wire is used, it is recommended that a qualified electrical installer determine that the ground path is adequate and wire gauge is in accordance with local codes. Do not use an extension cord with this appliance; doing so may void the warranty.

IN U.S.A.

Be sure the electrical connection and wire sizes are adequate and in conformance with the National Electrical Code ANSI/NPA70-latest edition and all local codes and ordinances.

A hard copy of the above code standards can be obtained from:

National Fire Protection Association
One Batterymarch Park
Quincy, MA 02269

IN CANADA

Be sure the electrical connection and wire size are adequate and in conformance with Canadian Electrical Code CSA standard C22.1, Part 1-latest edition, and all local codes and ordinances. A hard copy of the above code standards can be obtained from:

Canadian Standards Association
178 Rexdale Blvd.
Toronto, ON M9W 1R3 CANADA

- The electrical power to the oven branch circuit must be shut off while line connections are being made.
- A proper electrical ground is required on this appliance. The free end of the green wire (the ground wire) must be connected to a suitable ground. This wire must remain grounded to the oven.
- If a cold water pipe is interrupted by plastic, non-metallic gaskets, union connections, or other insulating materials, **DO NOT** use for grounding.
- **DO NOT** ground to a gas pipe.

BEFORE INSTALLATION

- **DO NOT** have a fuse in the **NEUTRAL** or **GROUNDING** circuit. A fuse in the **NEUTRAL** or **GROUNDING** circuit could result in an electrical shock.
- Check with a qualified electrician if you are in doubt as to whether the appliance is properly grounded. Failure to do so could result in death, fire, or electric shock.
- To properly install your oven, a qualified installer must determine the type of electrical connection you will be using and follow the instructions provided for it here.
- The oven must be connected to the proper electrical voltage and frequency as specified on the model number rating plate. The model number rating plate is located under the control panel on the upper oven. All models are dual rated and designed to be connected to a 240VAC, 60Hz, 3-wire or 4-wire, single-phase power supply.
- Install a suitable conduit box (not provided). An appropriately sized UL conduit connector must be used to correctly attach the conduit to the junction box.
- **IMPORTANT:** Local codes may vary; installation electrical connections and grounding must comply with all applicable local codes.
- If local codes permit grounding through the neutral electrical supply, connect both the white neutral wire and the green ground wire from the oven to the white neutral electrical supply wire (see more on pages 11 - 14.)
- When only a 4-wire, single-phase, 240VAC, 60Hz-only electrical supply is available, a 40-amp maximum circuit protection is required.

VOLTAGE AND FREQUENCY	AMPS	CIRCUIT REQUIRED
240VAC, 60Hz	35.4A	40 Amp Circuit

BEFORE INSTALLATION



This appliance shall be installed only by authorized persons and in accordance with the manufacturer's installation instructions, local gas fitting regulations, municipal building codes, electrical wiring regulations, and/or local water supply regulations.

- Observe all governing codes and ordinances.
- Cabinet opening dimensions that are shown must be used. Given dimensions provide minimum clearance with oven.
- A recessed installation area must provide complete enclosure around the recessed portion of the oven.
- The oven support surface must be solid, level, and flush with the bottom of the cabinet cutout.
- The oven support surface must be able to support the weight of 250 lb (113 kg) plus a food load of up to 60 lb (28 kg) — 30 lb for each oven.
- **NOTE:** For undercounter installation, it is recommended that the electrical junction box be located in the adjacent right or left cabinet.
- To avoid damage to your cabinets, check with your builder or cabinet supplier to make sure that the materials used will not discolor, delaminate, or sustain other damage. This oven has been designed in accordance with the requirements of UL and CSA International and complies with the maximum allowable wood cabinet temperatures of 194°F (90°C).

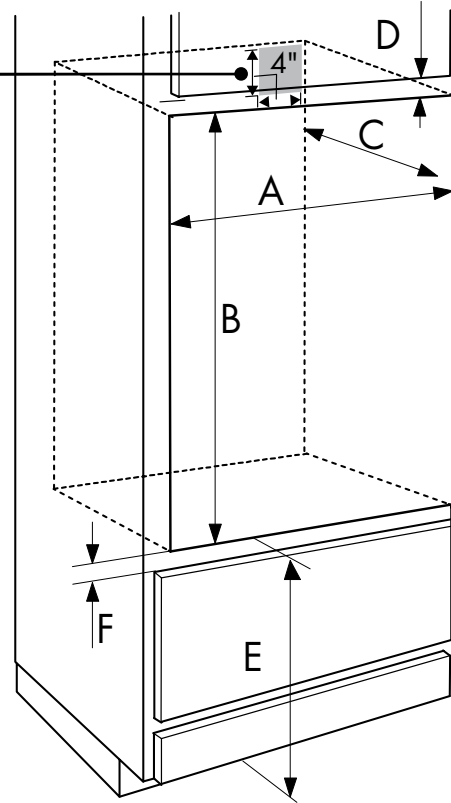
INSTALLATION

CUTOUT DIMENSIONS

Electrical Junction Box Location

NOTE: Junction box may be located in adjacent cabinet

LETTER	DESCRIPTIONS	DOUBLE OVEN IN CABINET
A	Width (cutout)	29" (737 mm)
B	Height (cutout)	50 3/8" (1280 mm)
C	Depth (cutout)	24" (610 mm)
D	Top of Cutout to Bottom of Upper Cabinet Door	1 1/2" (38 mm)
E	Bottom of Cutout to Floor (recommended)*	14 3/4" (375 mm)*
F	Bottom of Cutout to Top of Cabinet Door	1 1/2" (38 mm)



*Bottom of Cutout to Floor (acceptable): 4" to 14 3/4" (102 mm to 375 mm).

NOTE: The cabinet cutouts above allow for a minimal 1/4" (6 mm) gap for width and height, or 1/8" (3 mm) on each side. These cutouts ensure appropriate space to mount the unit into the cabinet cutout, as outlined on page 15.

STEP 1 - UNPACK THE OVEN

EXCESSIVE WEIGHT HAZARD: Use 2 or more people to move and install the oven, which weighs roughly 250 lb (113 kg). Failure to do so may result in injury.

1. Remove the oven and set it on cardboard to avoid floor damage. **NOTE:** Do not use the handle or any portion of the front frame for lifting.
2. Remove the shipping materials and tape from the oven.
3. Remove the hardware package from inside the bag containing this manual.
4. Remove and set aside racks and other parts from inside the oven.
5. Move the oven on the cardboard near where it will be installed.

INSTALLATION

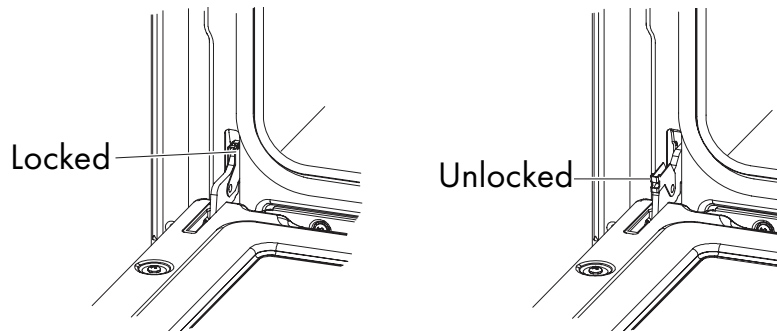


WARNING

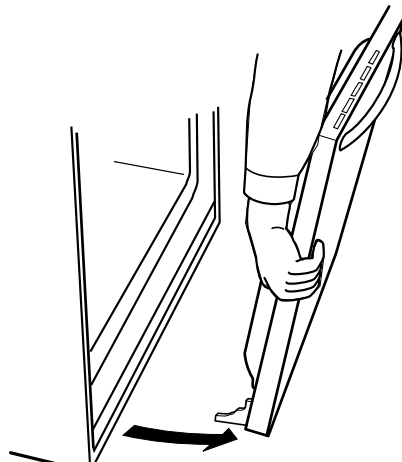
The oven doors are heavy and fragile, and the door front is glass. To avoid oven door glass breakage, use both hands and grasp only the sides of the oven door to remove.

STEP 2 - REMOVE THE OVEN DOOR

1. Open the oven door.
2. Locate the door latches in both corners of the oven door and rotate them forward from the locked position (below left) to the unlocked position (below right).



3. Grasp the edges of the oven door with both hands and push the oven door fully closed. Lift up and pull the door toward you to remove. Set the oven door aside on a covered work surface.



Scan to follow along with a video.

INSTALLATION

STEP 3 - INSTALL OVEN

1. Using two or more people, grasp the ceiling of the oven cavity and lift the oven onto a table or platform even with the cutout opening. **NOTE:** The surface must be able to support up to 310 lb (141 kg).
2. By hand, feed the flexible electrical supply conduit from the oven to the junction box (Figure 1).

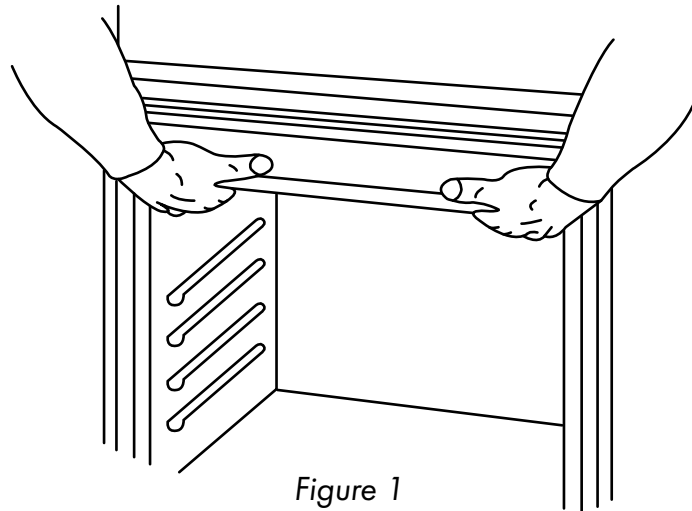


Figure 1

ELECTRICAL SHOCK HAZARD



WARNING

STEP 4 - ELECTRICAL GROUNDING INSTRUCTIONS

To properly install your oven, a qualified professional must determine the type of electrical connection you will be using and follow the instructions provided for it here.

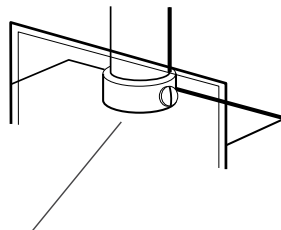
DIRECT WIRE

- Disconnect power before servicing.
- Improper connection of aluminum house wiring and copper appliance leads can result in an electrical hazard or fire. If the home has aluminum wiring, only use UL listed conduit connectors and wire connectors for joining copper to aluminum and precisely follow the manufacturer's recommended procedure. Aluminum-to-copper connections must conform with local codes.

INSTALLATION

- Use 8-gauge copper or aluminum wire.
- Be sure your appliance is properly installed and grounded by a qualified technician; failure to do so may result in death or electrical shock. Ask your dealer to recommend a qualified technician or an authorized service provider.
- This oven is manufactured with a neutral (white) power supply wire and a cabinet connected green (or bare) ground wire twisted together.
- After making sure that the power has been turned off, connect the flexible conduit from the oven to the junction box using a UL listed conduit connector. The Grounded Neutral and Ungrounded Neutral graphics on the following pages, along with the instructions provided, present the most common way of connecting ovens. Your local codes and ordinances, of course, take precedence over these instructions. Complete electrical connections according to local codes and ordinances.

1. Disconnect power.
2. Remove junction box cover.
3. Install a UL listed or CSA approved conduit connector to the junction box.



UL or CSA Listed Conduit Connector

4. Route the flexible electrical supply conduit from the oven to the junction box through a UL listed or CSA approved conduit connector.
5. Tighten screws on conduit connector.

INSTALLATION

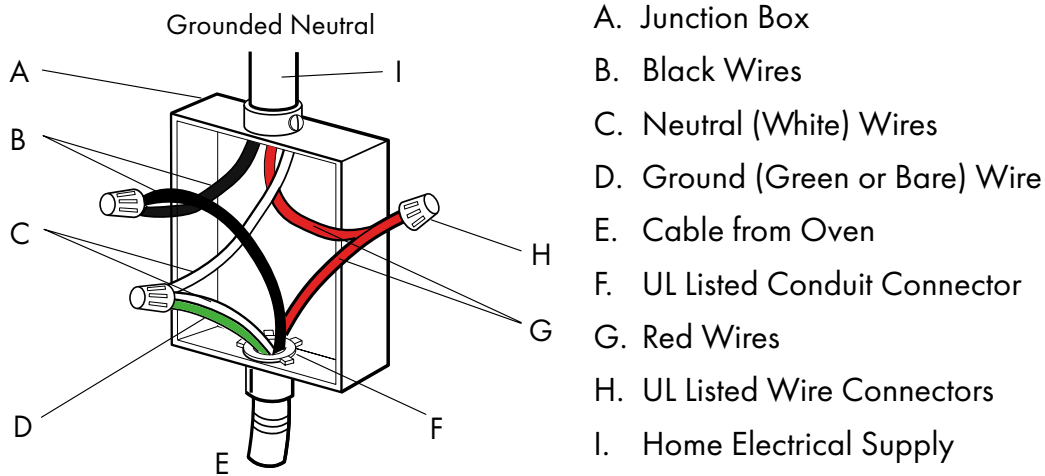
3-WIRE CONNECTION (GROUNDED NEUTRAL) - U.S.A. ONLY

- Grounding through the neutral conductor is prohibited for new branch-circuit installations (1996 NEC); mobile or manufactured homes; and recreational vehicles, or in an area where local codes prohibit grounding through the neutral conductor. For installations where grounding through the neutral conductor is prohibited, see the Ungrounded Neutral graphic on the next page.
- Use a grounding terminal or lead to ground unit. Connect neutral terminal or lead to neutral branch circuit in usual manner.
- Failure to follow these directions could result in death, fire, or electric shock.

3-WIRE CABLE FROM HOME ELECTRICAL SUPPLY



Only use the 3-wire cable from home electrical supply where local codes permit a 3-wire connection.



1. Disconnect power.
2. Connect the two black wires (B) together using a UL listed wire connector.
3. Connect the two neutral (white) wires (C) and the ground (green or bare) wire (D) (of the oven cable) using a UL listed wire connector.
4. Connect the two red wires (G) together using a UL listed wire connector.
5. Install junction box cover.

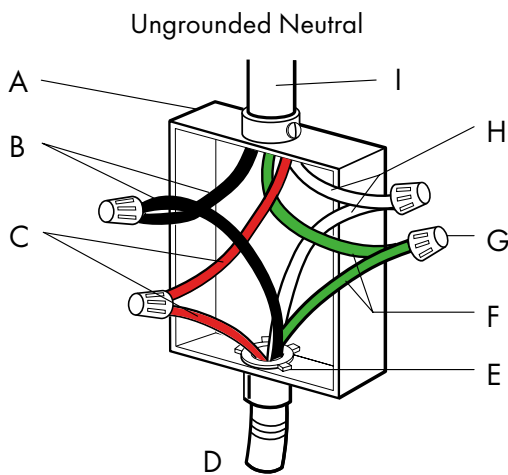
INSTALLATION

4-WIRE CONNECTION (UNGROUNDING NEUTRAL) - U.S.A. AND CANADA

4-WIRE CABLE FROM HOME ELECTRICAL SUPPLY



Use the 4-wire cable from home electrical supply in the U.S. where local codes do not allow grounding through neutral, new branch circuit installations (1996 NEC), mobile and manufactured and recreational vehicles, new construction, and in Canada.



- A. Junction Box
- B. Black Wires
- C. Red Wires
- D. Cable from Oven
- E. UL Listed or CSA Approved Conduit Connector
- F. Ground (Green or Bare) Wires
- G. UL Listed Wire Connector
- H. Neutral (White) Wires
- I. Home Electrical Supply

1. Disconnect power.
2. Connect the 2 black wires (B) together using a UL listed wire connector.
3. Connect the 2 red wires (C) together using a UL listed wire connector.
4. Untwist white wire (H) from green (or bare) ground wire (F) coming from the oven.
5. Connect the 2 neutral (white) wires (H) together using a UL listed wire connector.
6. Connect the ground (green or bare) wire (F) from the oven cable to the ground (green or bare) wire (in the junction box) using a UL listed wire connector.
7. Install junction box cover.

INSTALLATION

STEP 5 - MOUNT THE OVEN

1. Slide the unit completely into the cabinet until the back surface of the front frame touches the front wall of the cabinet. Center the oven within the cabinet cutout. **NOTE:** Push against the seal of the oven's front frame when pushing the unit into the cabinet. Do not push against the outside edges.

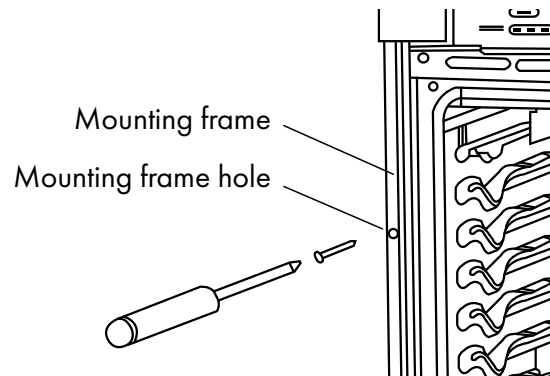


Figure 1

2. There are two holes, one on each side of the front frame that surrounds the oven. Drill 1/8" pilot holes through the holes and into the front wall of the cabinet. There are four mounting holes, two on each side of both ovens.
3. Insert the #8–14 x 1" screws (provided) through the pilot holes to securely fasten the oven to the cabinet (Figure 1). Do not overtighten screws.
4. Replace the oven racks. **NOTE:** Ensure all plastic and foam packaging is removed from the oven racks before reinserting them.
5. Reconnect power to the oven.

STEP 6 - REPLACE THE DOOR

1. Verify that the door hinge latches are forward, and then insert the oven door hinges into the openings.
2. Lower the oven door to engage the hinges.
3. Press the hinge latches down to lock.



Scan to follow along with a video.

INSTALLATION

STEP 7 - COMPLETE INSTALLATION

1. Check that all parts are now installed. If there is an extra part, go back through the steps to see which step was skipped.
2. Dispose of/recycle all packaging materials.
3. Check operation of oven:
 - Turn on power.
 - Press BROIL.
 - Set the temperature.
 - Press Start.

NOTE: If oven(s) does not operate, check the following:

- Household fuse is intact and tight; or circuit breaker has not tripped.
- Electrical supply is connected.
- See "Troubleshooting" section in the User Manual.



Scan to view the User Manual.

4. After oven has been on for 5 minutes, feel for heat. If you do not feel heat or if an error message appears in the display, turn off the oven and contact a qualified technician.
5. Press Cancel to turn off the oven.

CHANGING HANDLES

To remove handles on the oven doors, remove the screw and pull hand outward.

To install handles:

1. Screw in anchors to the door with a Phillips-head screwdriver.
2. Line up and fit the handle into the top and bottom door anchors.
3. Using an Allen/hex wrench, secure the top and bottom handle screws to the door anchors.

WARRANTY

COVERAGE

ZLINE Kitchen and Bath wall oven products will be warranted for one year from the original purchase date for the original purchaser of the product. This warranty covers all parts for necessary repairs if any part of the product proves to be defective in materials or workmanship.

TERMS

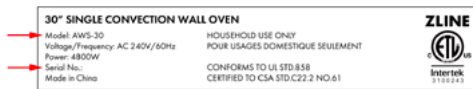
This warranty applies only to the original purchaser of a range product installed for normal residential use. This is defined as a single-family, residential dwelling in a non-commercial setting. Commercial settings include but are not limited to: schools, churches, hotels, restaurants, vacation rentals such as Airbnb, day care centers, private clubs, fire stations, common areas in multi-family dwellings, nursing homes, food service locations, and institutional food service locations such as hospitals or correction facilities. This warranty is non-transferable and will not be extended based on the date of installation. The warranty applies only to products installed in the continental United States and the District of Columbia.

Warranty shall not apply and ZLINE Kitchen and Bath is not responsible for damage resulting from negligence, improper maintenance, misuse, abuse, alteration of or tampering with the appliance, accident, natural disaster, improper electric supply, flare-up fires, unauthorized service or repair, improper installation, or installation not in accordance with the instructions contained in the manual or local government codes.

WHAT IS NOT COVERED

1. Installation or start-up, damages or problems caused by improper installation or use.
2. Service by an unauthorized service providers or damage related to unauthorized service or unauthorized parts.
3. Installation in any commercial or non-residential application.
4. Removal or re-installation cost.
5. Aesthetic damage, scratches, or natural wear caused by normal use.
6. Second-hand, open box products, or products purchased from an unauthorized retailer.

WARRANTY



NOTE: Please write down the model number and serial number of your appliance. Both numbers are located on the rating label. Do not remove permanently affixed labels, warnings, or plates from the product. This will void the warranty. You may also consider attaching your receipt or proof of purchase to this manual.



SERVICE

For warranty service, please contact our Customer Service team at 1-614-777-5004 or visit www.zlinekitchen.com/contact to utilize our online Customer Experience Portal.



Need to purchase a part or accessory for your ZLINE product? Visit www.zlineparts.com, ZLINE's official parts distribution partner.

2.1.0

1-614-777-5004

www.zlinekitchen.com

contact@zlinekitchen.com

ZLINE
ATTAINABLE LUXURY®