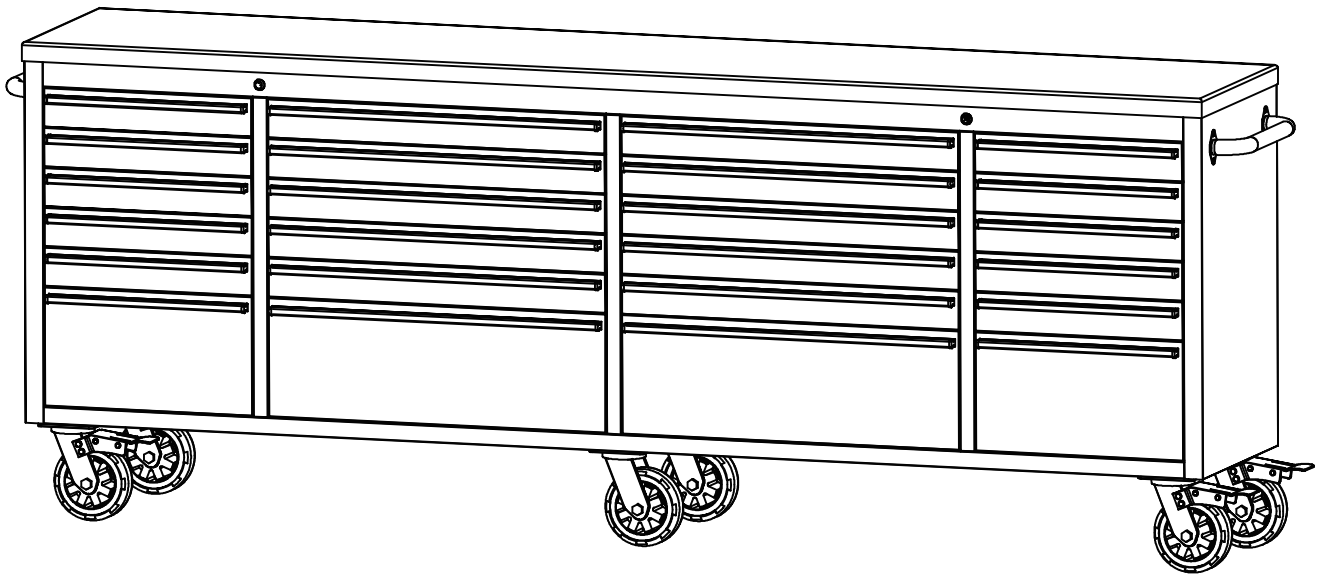




96"24 -DRAWER TOOL CABINET



Fill in the following information and
retain this manual for future reference:

MODEL(S) _____

DATE OF PURCHASE _____

PLACE OF PURCHASE _____

RECEIPT NO _____

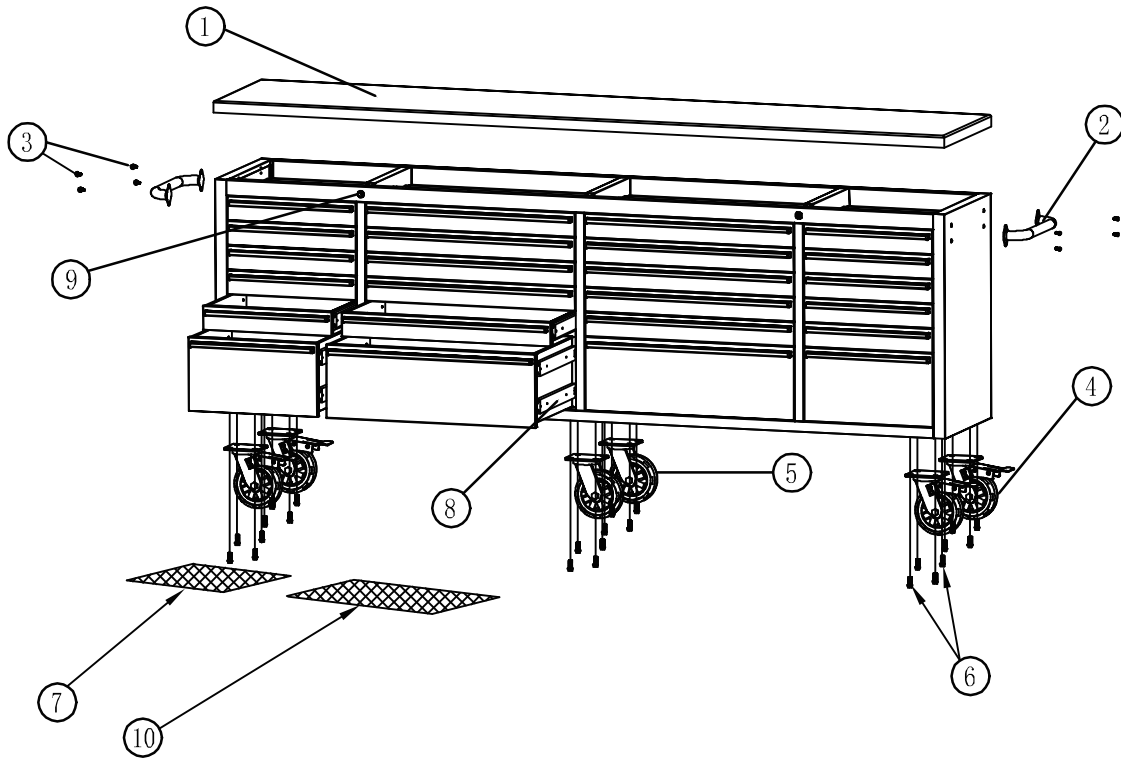
INSTRUCTION MANUAL



ATTENTION

To reduce the risk of injury, the user must read and understand this instruction manual before using this product for the first time. Save these instructions for future reference.

PARTS LIST



The keys are taped inside the bottom drawer.

The drawer liners are placed in each drawer.

	PART #	DESCRIPTION	QTY
1	16.02.8010-A0	Bench Top	1
2	12.03.8023-A0	Handle	2
3	06.12.8047-A0	1/4\"X12mm Hex Bolt	8
4	05.10.8004-A0	Locked Caster	4
5	05.10.8003-A0	Rigid Caster	2
6	06.12.8046-A0	3/8\"X25mm Hex Bolt	24
7	05.16.8056-A0	Right Drawer Liner	12
8	05.14.8012-A0	Slide Sets	28
9	05.15.8013-A0	Lock and Key	2
10	05.16.8049-A0	Middle Drawer Liner	12

Not all parts are covered under warranty. Those parts not covered can be purchased.

To order replacement parts, go to info@thorgroup.us and click on Customer Service. Please have the part number and quantity ready to order.

Replacement keys may be ordered using the code that appears on the face of the lock.



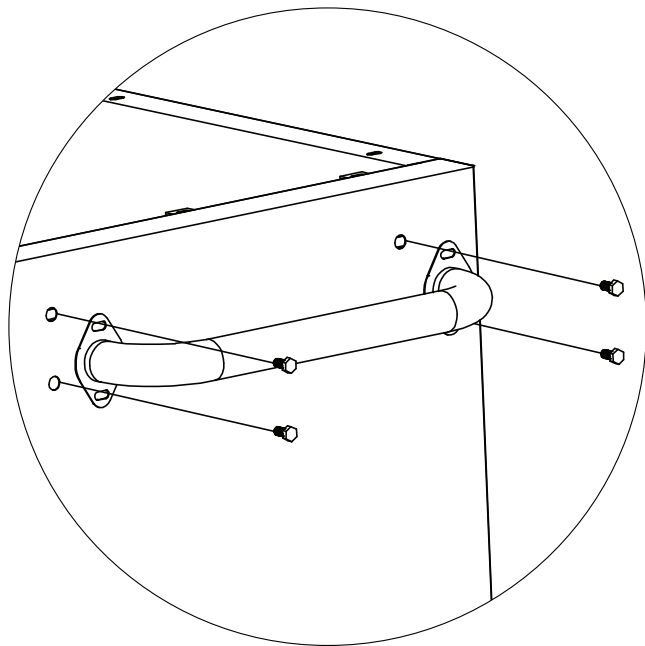
TOOLS REQUIRED FOR ASSEMBLY

Wrench

Phillips Screwdriver

HANDLE INSTALLATION

Attach the side handle to the tool cabinet with four 1/4" x 12 mm hex bolts.



DRAWER OPERATION

New drawer slides may be stiff and difficult to open at first. A gentle, outward pull should release the safety catch that prevents the drawer from opening while the tool cabinet is being moved.

MAINTENANCE

When dusting, use a soft, clean cloth that will not scratch the surface.

Using solvents of any kind on the wood top may damage the finish.

Liquid spills should be removed immediately. Using a soft clean cloth, blot the spill gently. Avoid rubbing.

For casters, use high quality bearing grease once a year.

Lubricate the slides twice a year with a spray lubricate or light duty oil.



SAFETY

The maximum product weight, including contents, should be no more than 2500 lbs (1135 kgs)

Do not let children near the tool cabinet.

Do not open more than one drawer at a time.

Fill from the bottom drawer up. If the tool cabinet is filled from the top drawer down, it will be top-heavy and may fall over.

DO NOT attempt to lift by the side handles using chains, ropes or other lifting devices. The side handles could fail, which may cause personal injury or damage to the product. DO NOT step or climb on this product or on the drawers.

DO NOT alter this product in any manner. For example, do not weld external lockbars or attach electrical equipment. This may cause product damage or personal injury.

Keep the product on level surfaces. The product could become unstable and tip if on an uneven surface, which may cause personal injury or product damage.

When moving this product, do not pull it. Push the product to prevent personal injury.

Close and lock drawers before moving this product. They could come open and make the product unstable, which may cause personal or product damage.

Use the brakes when not moving this product. This will prevent the product from rolling, which may cause personal injury or product damage.

DO NOT mount this product on a truck bed or on any other moving object. This may cause personal injury or product damage.

Be careful with sharp edges.

Always wear ANSI approved safety goggles when working with tools and equipment.

ONE YEAR LIMITED WARRANTY

This product is warranted to be free from defects in materials and workmanship for a period of one(1)year from the date of original purchase. If this product is defective, please write to info@thorgroup.us

If the product is defective, we will replace the defective part at no cost to you. Please do not ship your product back to the store or to us unless we send you written instructions for return.

In the event it becomes necessary for your product to be returned, we will notify you how to proceed. A copy of your original purchase receipt must accompany the returned product.

Manufactured by:
Thor Group

13831 Oaks Ave., Chino, CA 91710
info@thorgroup.us

1-877-288-8099

(Monday to Friday, 8:30 am to 5:00 pm, EST)