



SPECIFICATIONS

COS-668A900 Range Hood



Size	36 Inch
Mounting Type	Wall Mount
Controls	Push Button
Filters	2 x Stainless Steel Baffle Filters
Material	Stainless Steel, Tempered Glass
Air Flow	380 CFM
Noise Level	50 dB*
Vent Style	External
Lighting	2 x Front LED
Voltage	120V / 60Hz
Wattage	193W
Included Components	Bulb(s), Damper, Exhaust Vent, Fan Hardware, Installation Kit, Power Cord

COS-668A900

The perfect piece for any contemporary kitchen, Cosmo's COS-668A900 Range Hood is powered by 380 CFM of suction, front LED lights and ARC-FLOW® Permanent Filters.



3 Fan Speeds



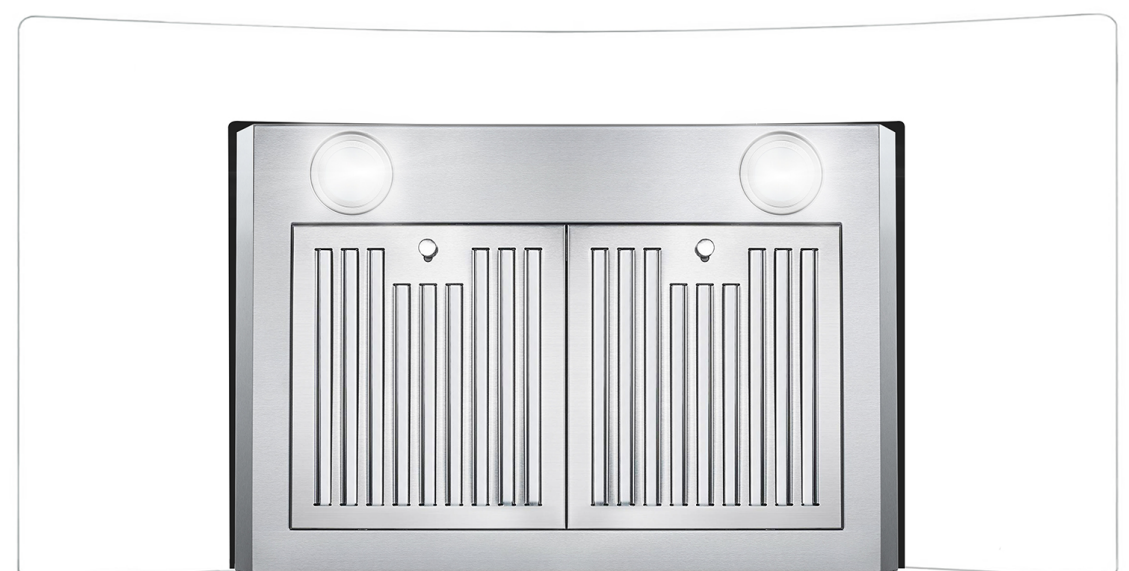
Push Button Controls



LED Lighting

Features

- Designed for wall mounting
- 3 fan speeds
- 380 CFM airflow capacity
- Push button controls
- ARC-FLOW® Permanent Filters
- 2 front LED lights
- Noise level as low as 50 dB*
- Curved tempered glass hood



See Page 2 for dimensions

For more information, please visit: www.cosmoappliances.com

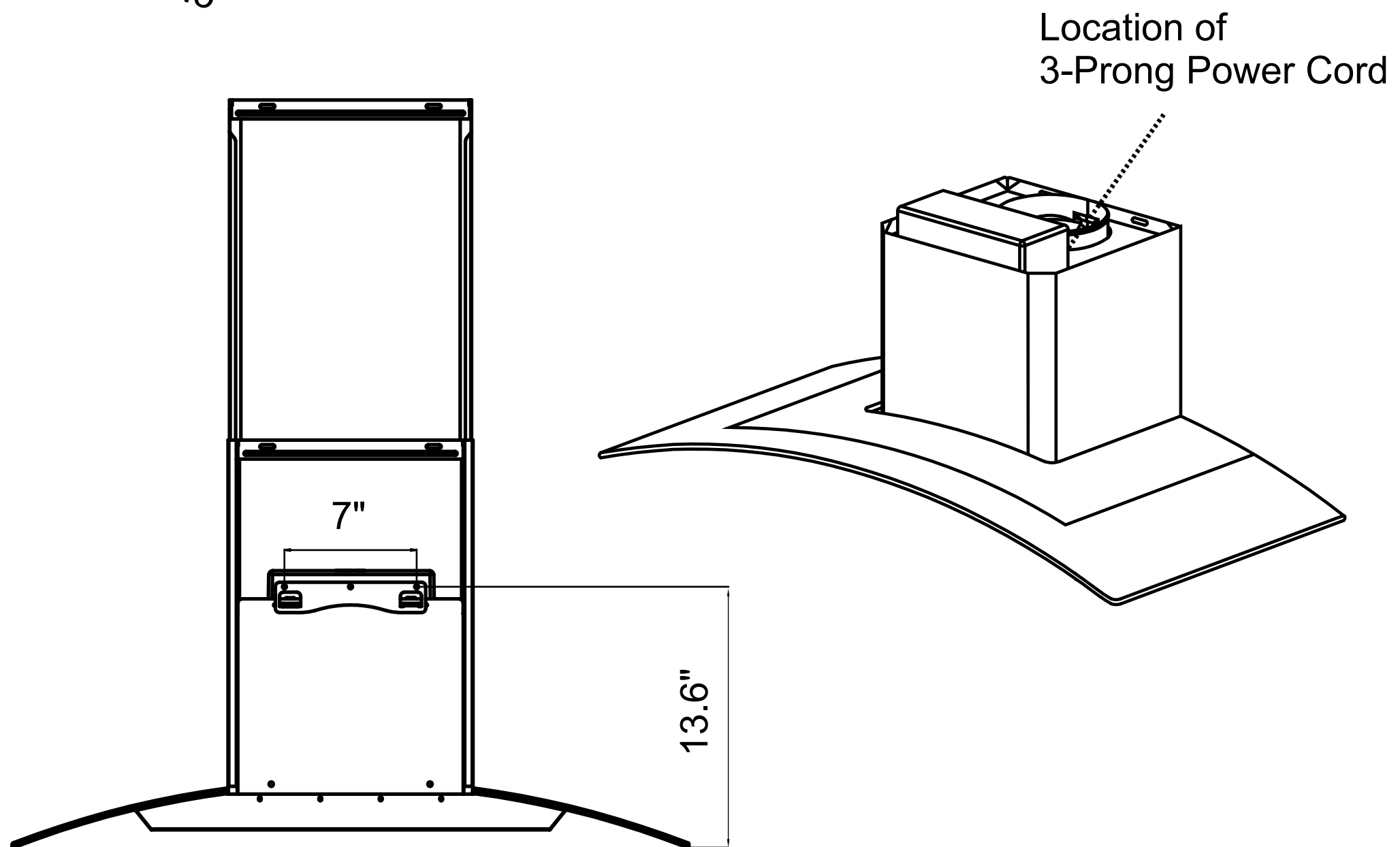
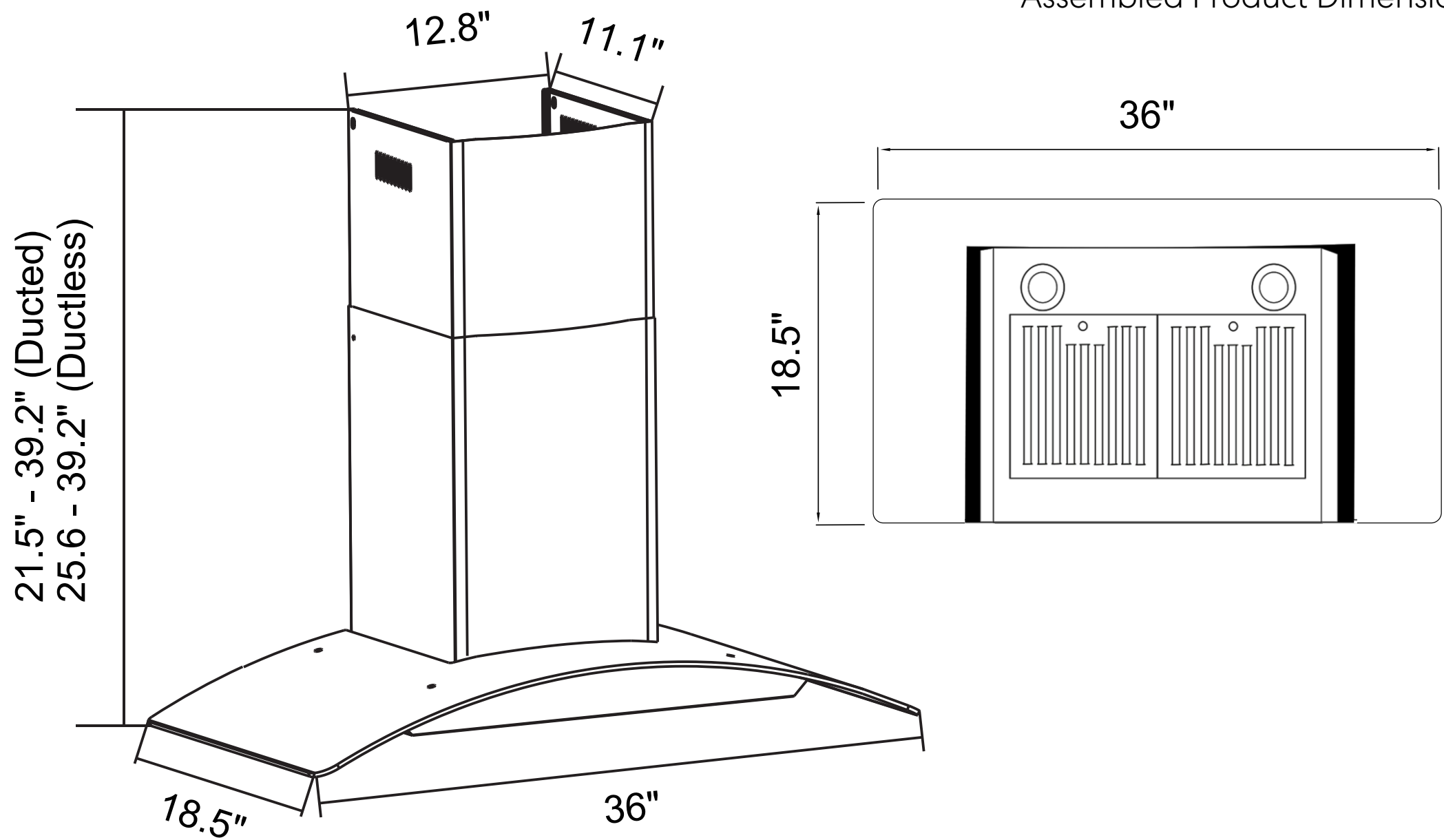
* Noise level as low as 50 dB on lowest fan speed with rigid ducting (sold separately) under optimal conditions



DIMENSIONS

COS-668A900 Range Hood

Assembled Product Dimensions



Dimensions (WxDxH): 36" x 18.5" x 21.5-39.2"