



# SPECIFICATIONS

## COS-6324EWH Range Hood



<b>Size</b>	24 Inch
<b>Mounting Type</b>	Wall Mount
<b>Controls</b>	Push Button
<b>Filters</b>	2 x Stainless Steel Baffle Filters
<b>Material</b>	Stainless Steel
<b>Air Flow</b>	Efficient
<b>Noise Level</b>	45 dB*
<b>Vent Style</b>	External
<b>Lighting</b>	2 x Rear LED
<b>Voltage</b>	120V / 60Hz
<b>Wattage</b>	88W
<b>Included Components</b>	Bulb(s), Damper, Exhaust Vent, Installation Kit, Power Cord

### COS-6324EWH

The perfect piece for any contemporary kitchen, Cosmo's COS-6324EWH Range Hood is powered by 3 levels of suction, rear LED lights and ARC-FLOW® Permanent Filters.



3 Fan Speeds



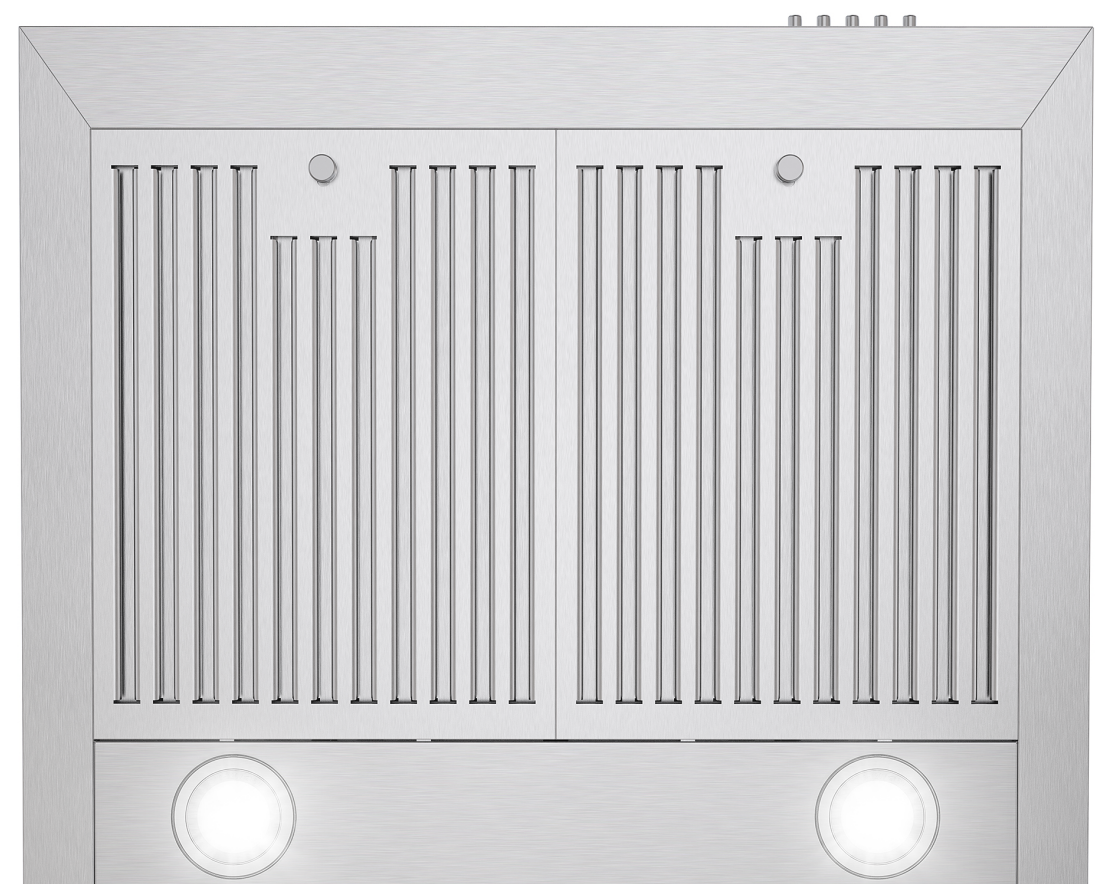
Push Button Controls



LED Lighting

### Features

- Designed for wall mounting
- 3 fan speeds
- Efficient airflow capacity
- Push button controls
- ARC-FLOW® Permanent Filters
- 2 rear LED lights
- Noise level as low as 45 dB\*
- 20-Gauge, 430 Grade Stainless Steel



See Page 2 for dimensions

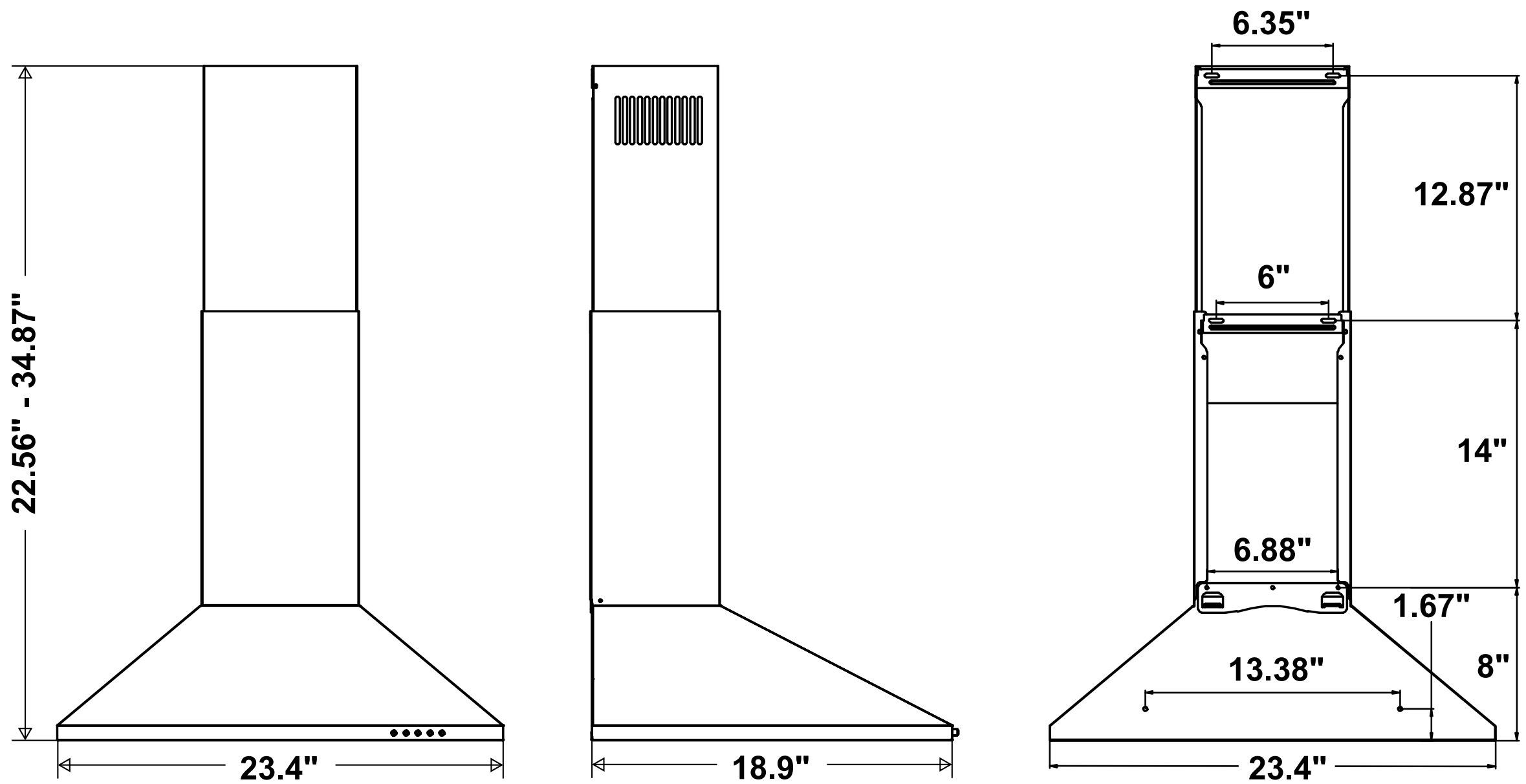
For more information, please visit: [www.cosmoappliances.com](http://www.cosmoappliances.com)

\* Noise level as low as 45 dB on lowest fan speed with rigid ducting (sold separately) under optimal conditions



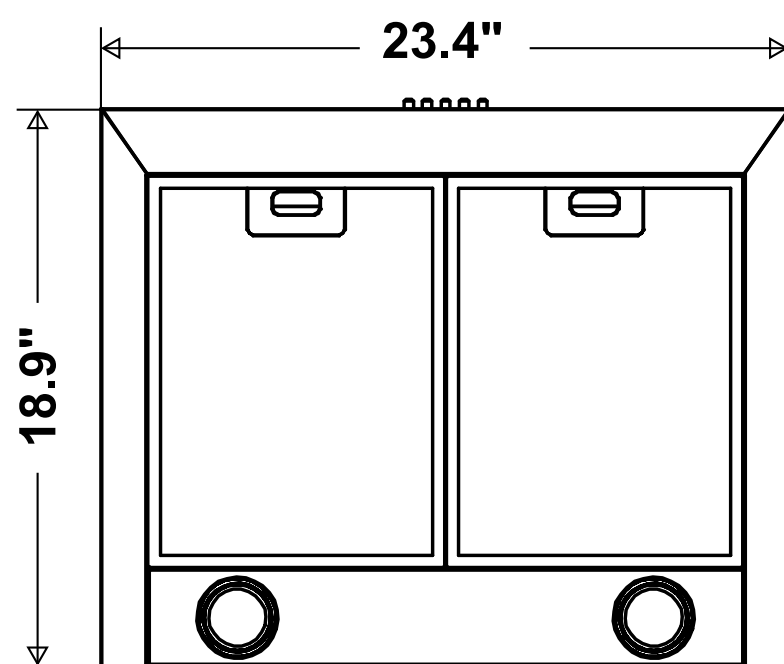
# DIMENSIONS

**COS-6324EWH** Range Hood

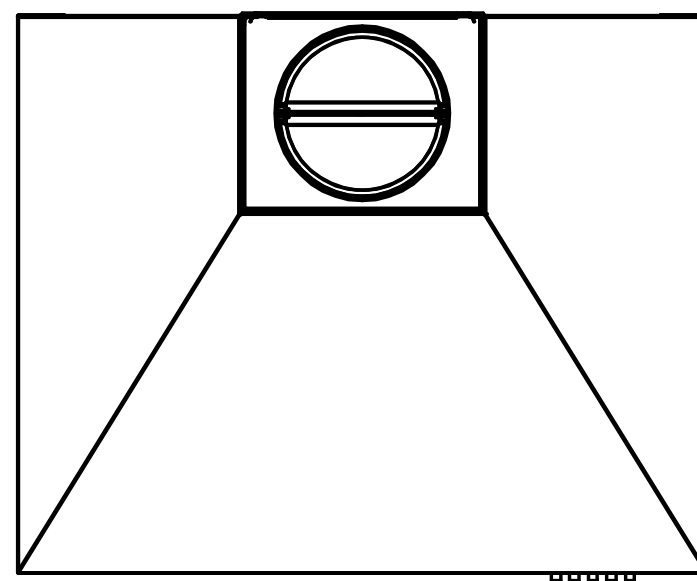


**SIDE VIEW**

**BACK VIEW**



**BOTTOM VIEW**



**TOP VIEW**

**Dimensions (WxDxH): 23.4" x 18.9" x 22.6-34.9"**