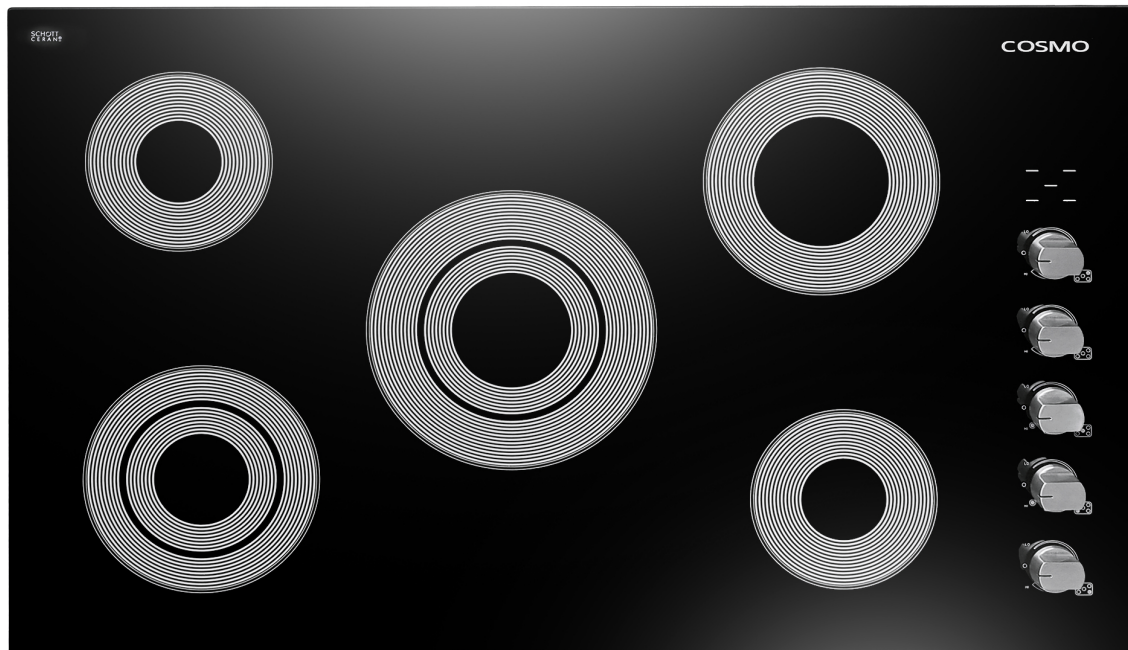




SPECIFICATIONS

COS-365ECC Cooktop



| | |
|----------------------------|---|
| Size | 36 Inch |
| Installation | Drop-In |
| Fuel | Electric |
| Controls | Knobs |
| Material | SCHOTT CERAN® Ceramic Glass |
| Electrical | 240V / 60Hz |
| Certifications | UL Listed |
| Included Components | Hardware, Install Kit, Power Cord, User Manual |
| Burners | • Dual Zone Burner (x2) • Single Burner (x3) |

COS-365ECC

Cosmo's COS-365ECC electric cooktop features 5 surface burners that allow you to cook from a high heat to a low simmer for the most delicate sauces, including two flexible dual zone burners to match your cookware size.

Features

- Designed for drop-in installation
- 5 surface burners
- x2 dual zone burners
- Hot surface indicator light
- Black ceramic glass surface
- Knob controls



Dual Zone Element



Eco Friendly



Ceramic Glass

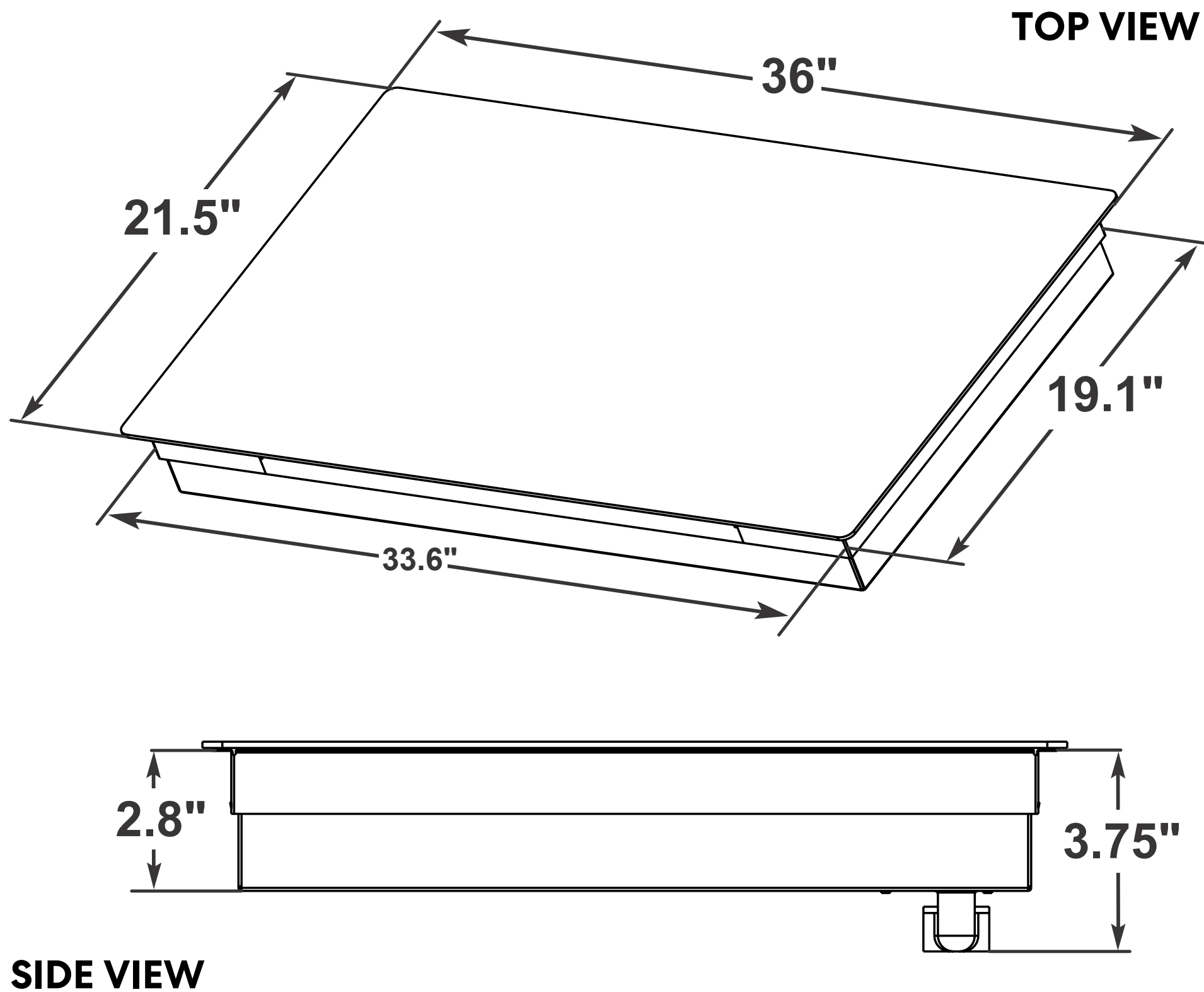


See Page 2 for dimensions



DIMENSIONS

COS-365ECC Cooktop



Dimensions (WxDxH): 36" x 21.5" x 2.8-3.75"