



SPECIFICATIONS

COS-30EDWC Wall Oven



Size	30 Inch / 10 cu. ft. Capacity
Fuel	Electric
Installation	Built-in Wall
Controls	Touch Controls, Digital Display
Convection	Turbo True European (Top Oven)
Material	Stainless Steel, Blue Porcelain
Electrical	240V / 60Hz, 20A, 4800W
Racks	3 Racks, 12 Positions (Total)
Oven Functions	Bake, Broil, Warm, Proof, Convection Bake, Convection Broil & Convection Roast
Included Components	Drip / Broiler Pans, 3 Racks, Installation Kit, Power Cord

COS-30EDWC

The perfect piece for any contemporary kitchen, Cosmo's COS-30EDWC Electric Double Wall Oven features spacious 5 cu. ft. capacities for both ovens and a Turbo True European Convection top oven.

Features

- Designed for wall mounting
- 5.0 cu. ft. capacity ovens (10 cu. ft. total)
- Turbo True European Convection (top oven), standard bake (bottom oven)
- 7 Cooking modes (top oven)
- Blue porcelain interior
- Self-cleaning
- Hidden bake element
- Multi-rack cooking with 6 positions



Self-Clean Function



Temperature Probe



Digital Controls

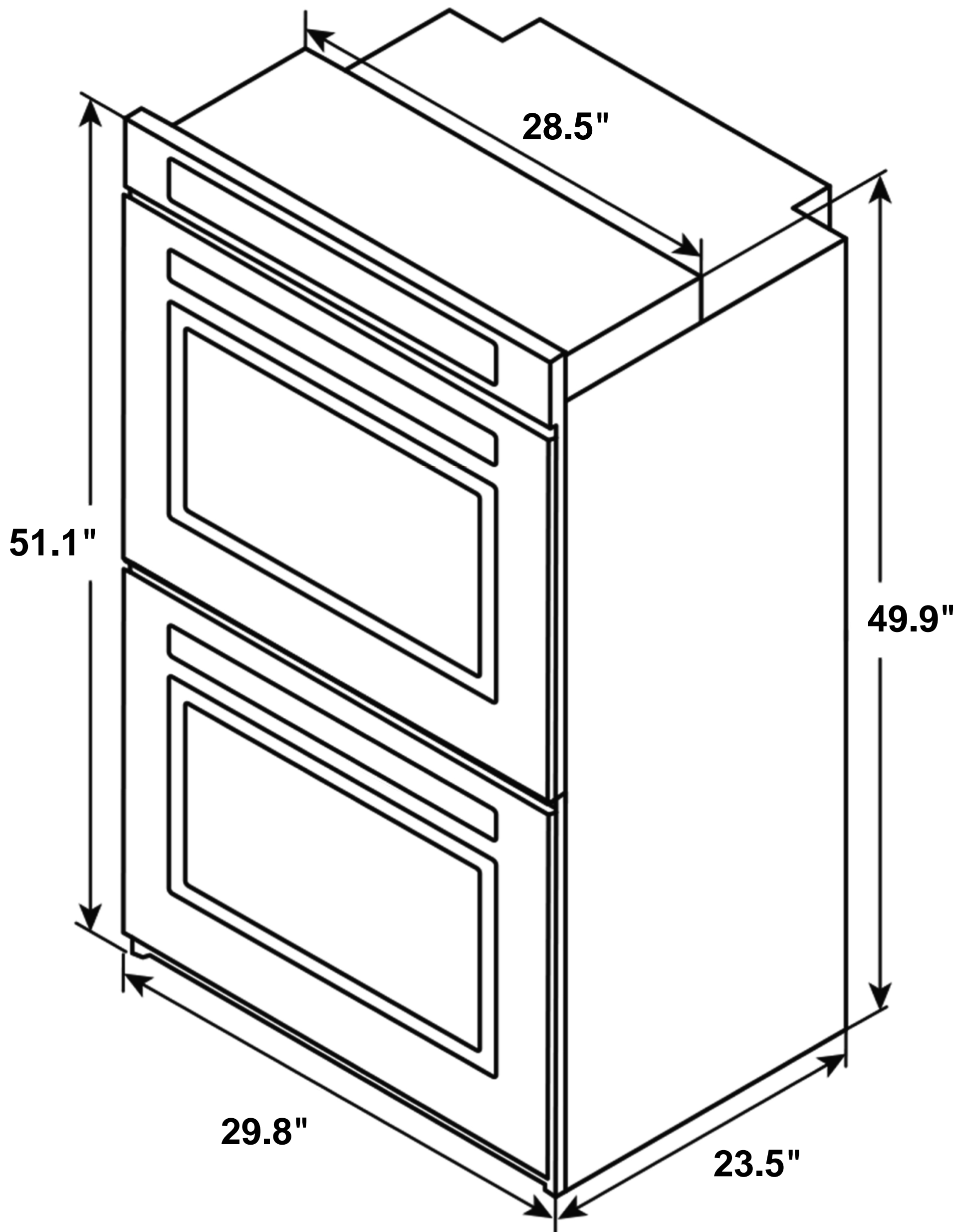


See Page 2 for dimensions



DIMENSIONS

COS-30EDWC Wall Oven



Dimensions (WxDxH): 29.8" x 23.5" x 51.1"