



SPECIFICATIONS

COS-305AERC Electric Range



Size	30 Inch / 5 cu. ft. Capacity
Fuel	Electric
Installation	Freestanding / Slide-In
Controls	Soft Touch Controls & Knobs
Oven	Turbo True European Convection
Material	Glass Ceramic, Stainless Steel
Electrical	4800W, 240V / 60Hz, 50A
Racks	2 Racks, 6 Positions
Oven Functions	Bake, Broil, Warm, Proof, Convection Bake, Convection Broil, Convection Roast
Burners	<ul style="list-style-type: none">• Surface Burners (x2)• Dual Element Burner• Triple Element Burner• Warming Zone Burner

COS-305AERC

Refine your culinary skills when you cook with Cosmo's COS-305AERC Electric Range. 5 burners and 5 cu. ft. oven with Turbo True European Convection allow you to cook a variety of main dishes, sauces, baked goods and more.

Features

- Designed for freestanding or slide-in
- 5 surface burner cooktop with dual & triple element burners
- 5.0 cu. ft. capacity oven with turbo true european convection
- 7 oven functions
- Soft touch controls with LCD digital display
- Temperature probe
- Self-cleaning



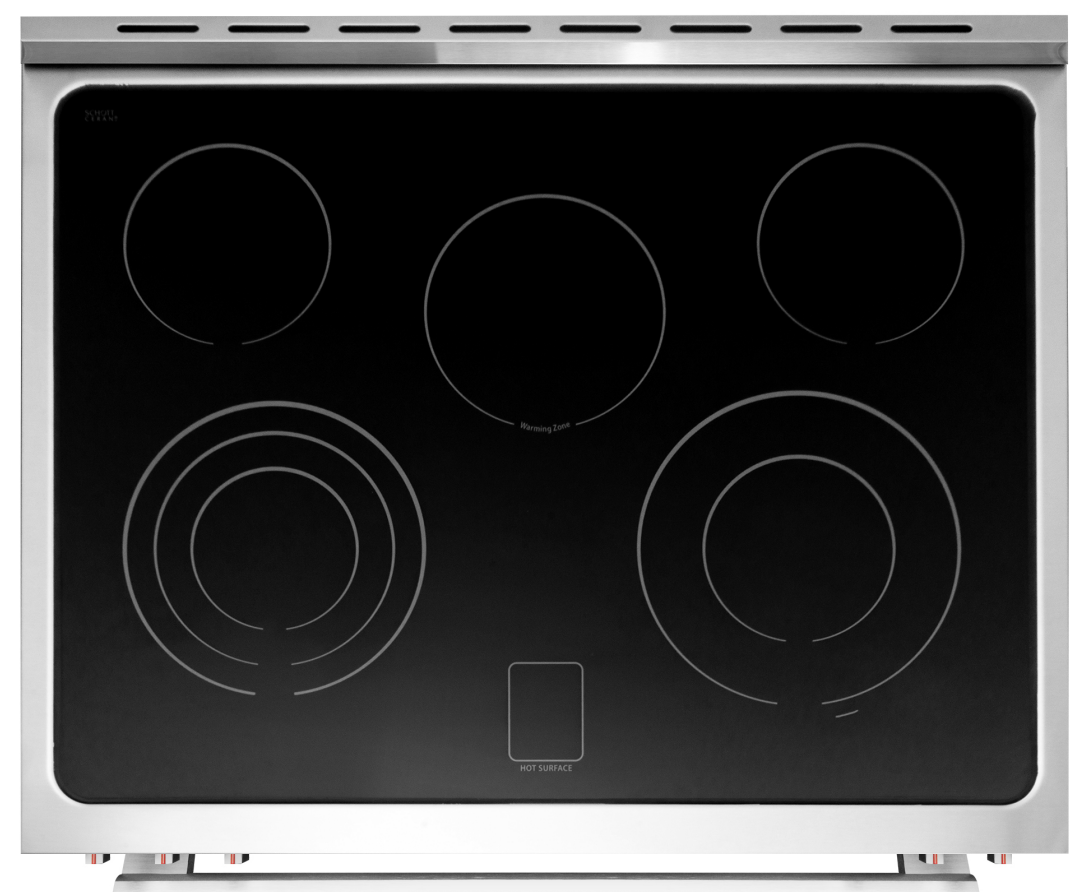
Surface Burners



Ceramic Glass



Digital Controls

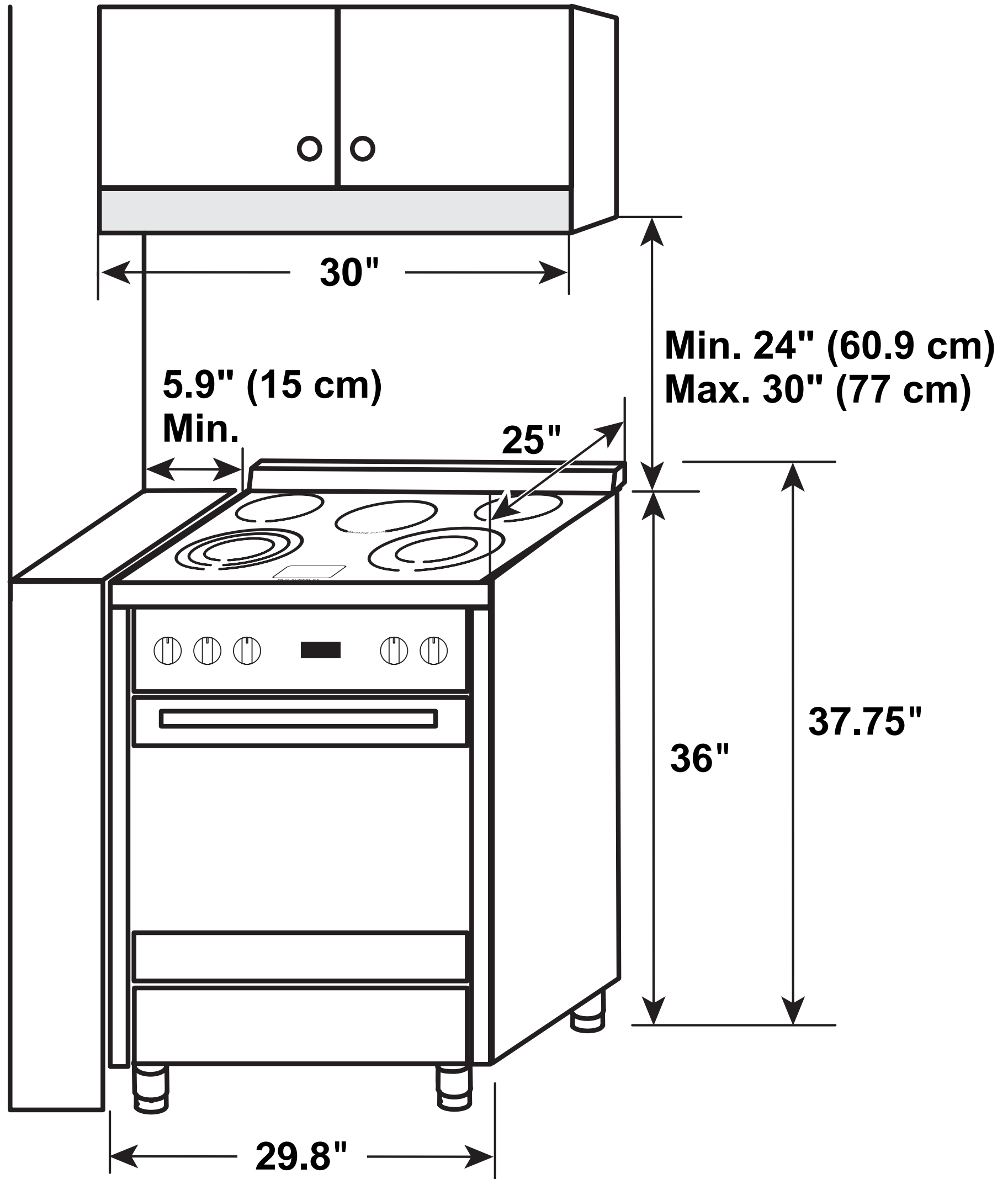


See Page 2 for dimensions



DIMENSIONS

COS-305AERC Electric Range



Dimensions (WxDxH): 29.8" x 25" x 36-37.75"