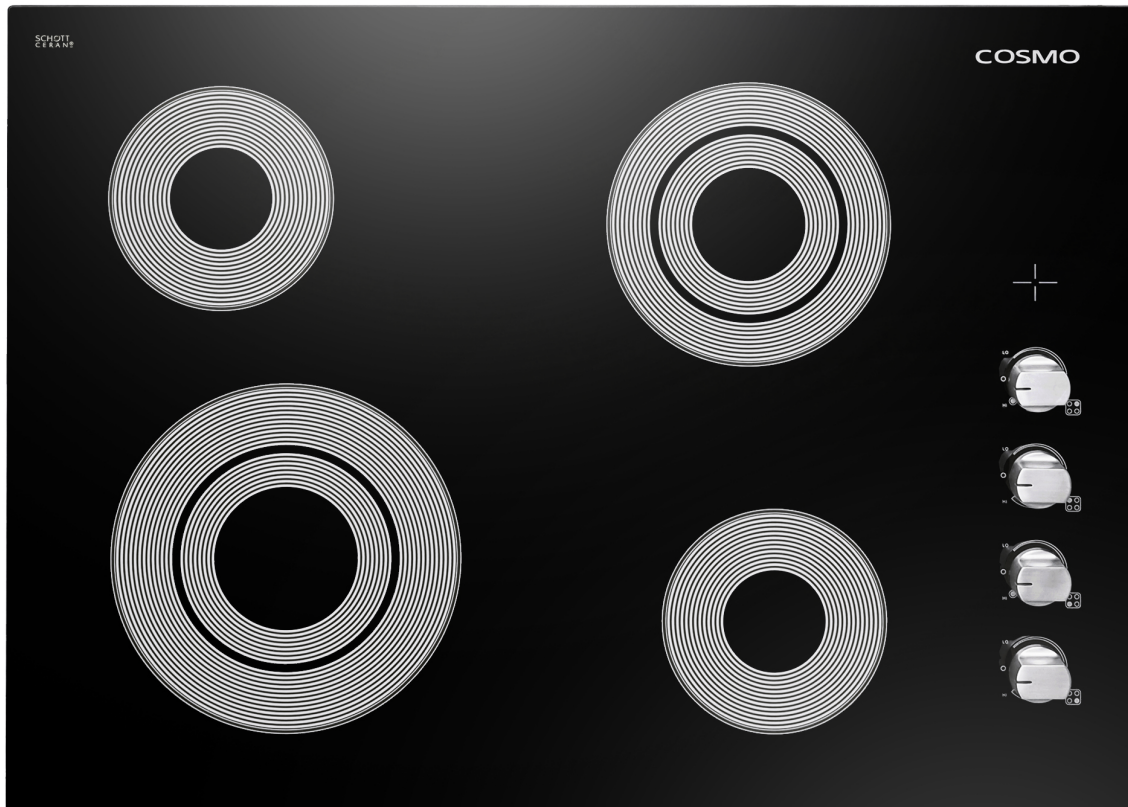




SPECIFICATIONS

COS-304ECC Cooktop



Size	30 Inch
Installation	Drop-In
Fuel	Electric
Controls	Knobs
Material	SCHOTT CERAN® Ceramic Glass
Electrical	240V / 60Hz
Certifications	UL Listed
Included Components	Hardware, Install Kit, Power Cord, User Manual
Burners	• Dual Zone Burner (x2) • Single Burner (x2)

COS-304ECC

Cosmo's COS-304ECC electric cooktop features 4 surface burners that allow you to cook from a high heat to a low simmer for the most delicate sauces, including two flexible dual zone burners to match your cookware size.

Features

- Designed for drop-in installation
- 4 surface burners
- x2 dual zone burners
- Hot surface indicator light
- Black ceramic glass surface
- Knob controls



Dual Zone Element



Eco Friendly



Ceramic Glass

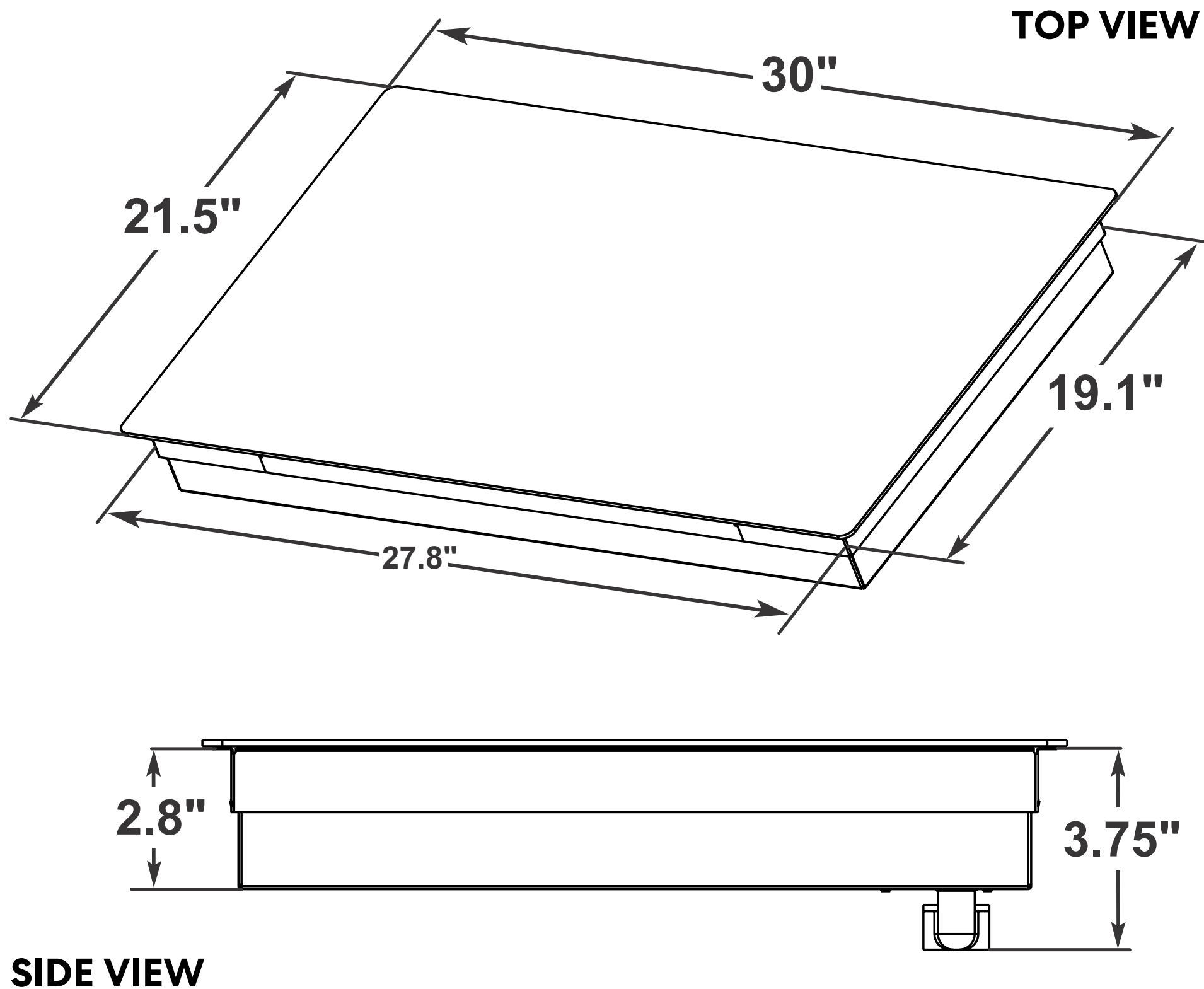


See Page 2 for dimensions



DIMENSIONS

COS-304ECC Cooktop



Dimensions (WxDxH): 30" x 21.5" x 2.8-3.75"