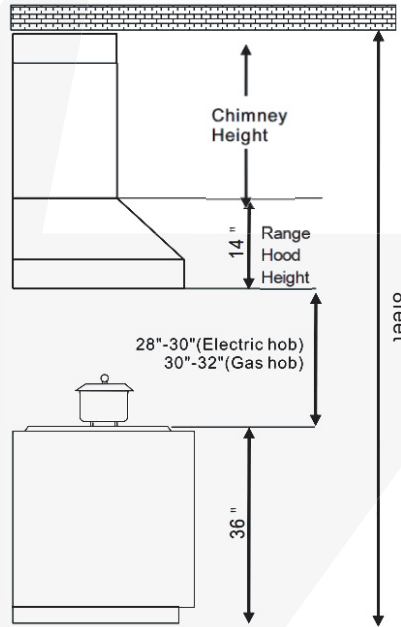


RHDC08P DUCT COVER ASSEMBLY

Name: RHDC08P - 16 in. to 31 in. High Duct Cover, Stainless Steel, for TRH-P Series Professional Wall Mount Pyramid Range Hood (Mounting Plate Not Included).

*For THOR Kitchen TRH30P, TRH36P, TRH48P Vent Hood models.

1. Measure the height of your ceiling from your floor to your ceiling.
2. Measure the height of your range.
3. For Electric Cooktops, install the hood at a min. 28" to max. 30" high from the cooktop. For Gas Cooktops, install your hood at a min. height of 30" to a max. height of 32" from the cooktop .
4. Measure the height of the range hood only (do not include the chimney pieces).
5. Subtract the height of the range, distance between the cooktop and range hood, and hood height from ceiling height . See example below.



8 feet x 12= 96 inches (Ceiling Height)

—36 inches (Range Height)

60 inches

—30 inches (Minimum Height Above the Range from the Gas Cooktop)

30 inches

—14 inches (Height of Range Hood)

16 inches (Total space left for Duct Cover)

Determine The Duct Cover Height Needed:

Standard Duct Covers: Depending on the model, the standard duct cover will include two connecting pieces, each at 21 in. high to accommodate 10 ft. high ceilings.

Short Duct Covers: Include two connecting pieces, each at 16 in. high to accommodate 8 ft. high ceilings.

Installation Guide

1. Use the sponge strip in the bag and place around the air outlet, and ensure there is no air leakage. Use the 4 screws to install the joint cover onto the range hood.
2. Install the range hood on the wall, based on the required distance from cooktop.
3. Install the air duct.
4. Now connect the two duct cover pieces together and place on the top of the range hood.
5. Remove filters, locate the 5 mounting holes of the chimney from the inside of the range hood and fasten them.
6. Install the upper chimney support strip in the proper position according to the instructions. Lift the duct cover upward to place an additional support strip.
7. Re-install the filters in to their original positions.

