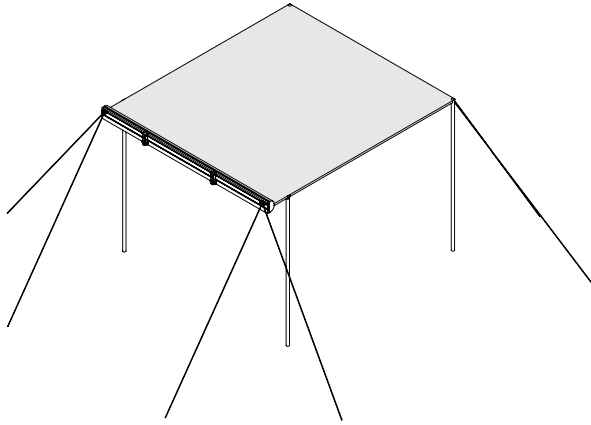
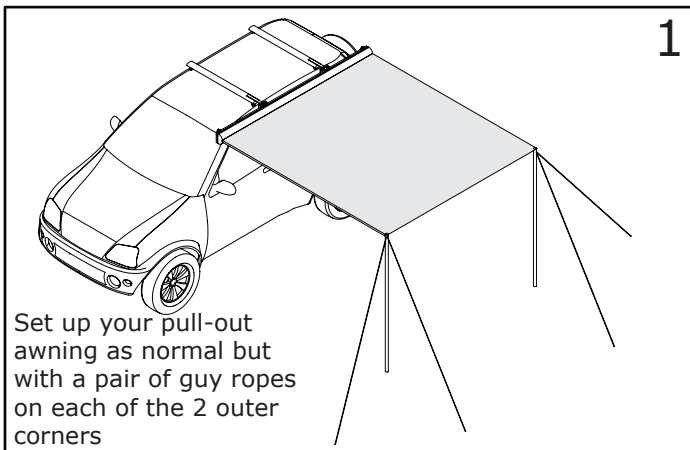


# RACKS BRAX.™

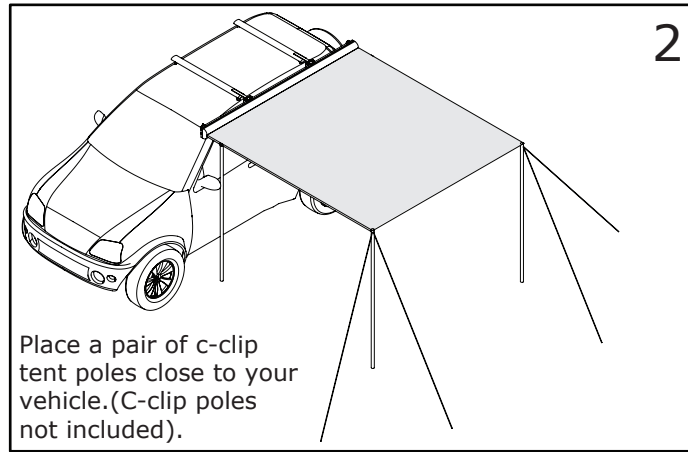


## Pull-out Awning Free Standing Instructions

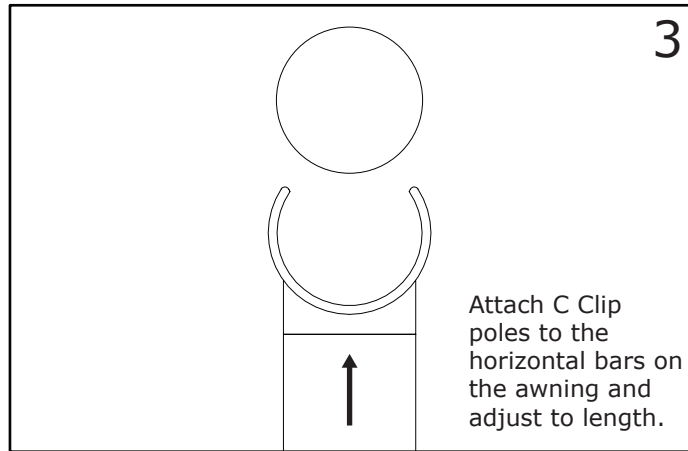
*Using RacksBrax HD Hitch*



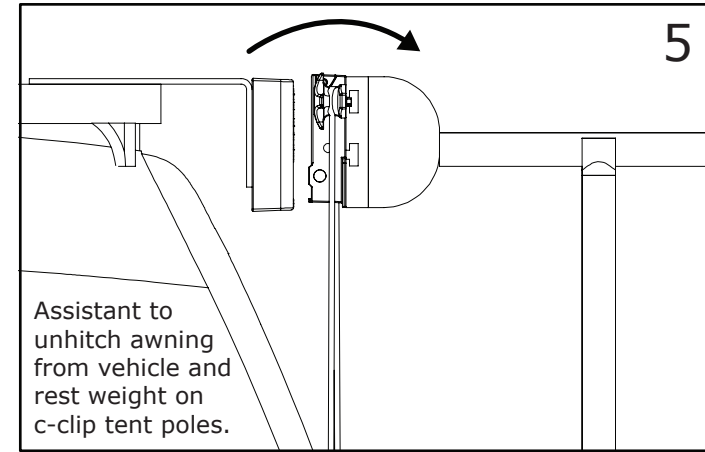
1 Set up your pull-out awning as normal but with a pair of guy ropes on each of the 2 outer corners



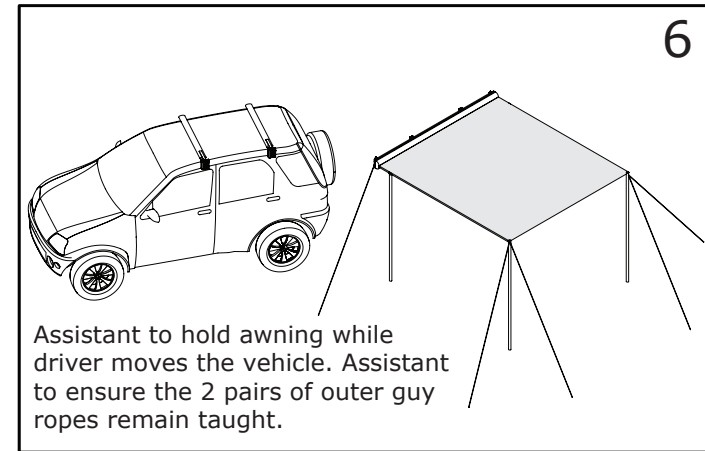
2 Place a pair of c-clip tent poles close to your vehicle. (C-clip poles not included).



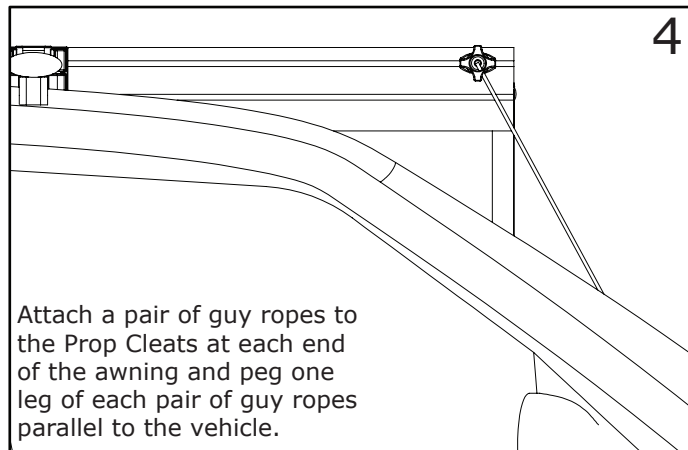
3 Attach C Clip poles to the horizontal bars on the awning and adjust to length.



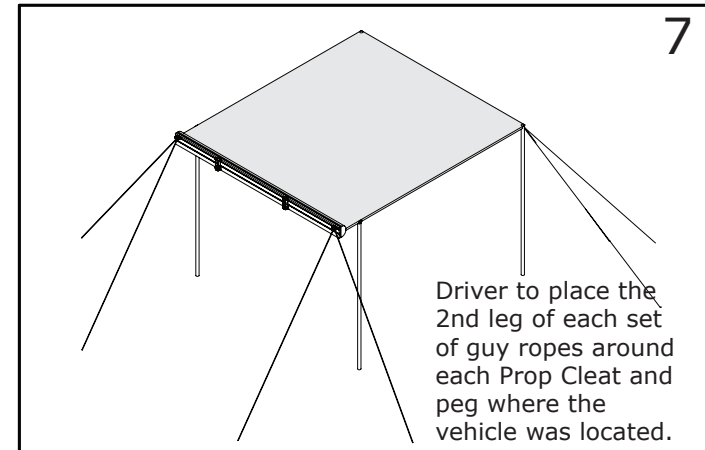
4 Assistant to unhitch awning from vehicle and rest weight on c-clip tent poles.



5 Assistant to hold awning while driver moves the vehicle. Assistant to ensure the 2 pairs of outer guy ropes remain taught.



6 Attach a pair of guy ropes to the Prop Cleats at each end of the awning and peg one leg of each pair of guy ropes parallel to the vehicle.



7 Driver to place the 2nd leg of each set of guy ropes around each Prop Cleat and peg where the vehicle was located.