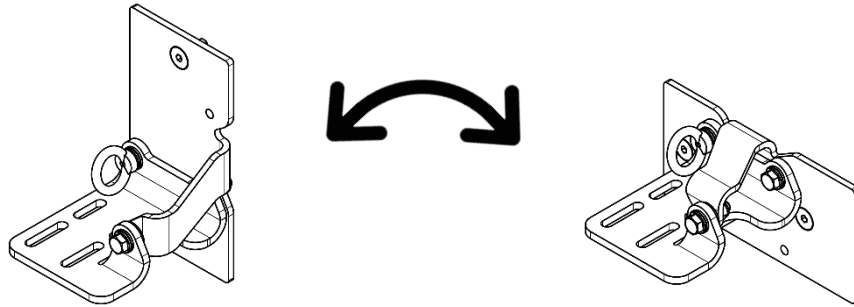


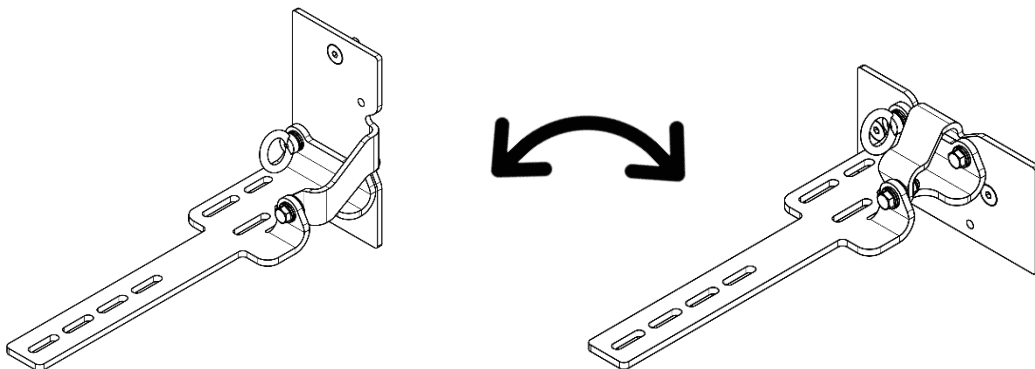
# RACKS BRAX.®



DEPLOYED

STOWED

## XD SIDE TWIST SHORT FOOT BRACKET



DEPLOYED

STOWED

## XD SIDE TWIST LONG FOOT BRACKET

# XD SIDE TWIST BRACKETS

### *Assembly and Mounting Instructions*

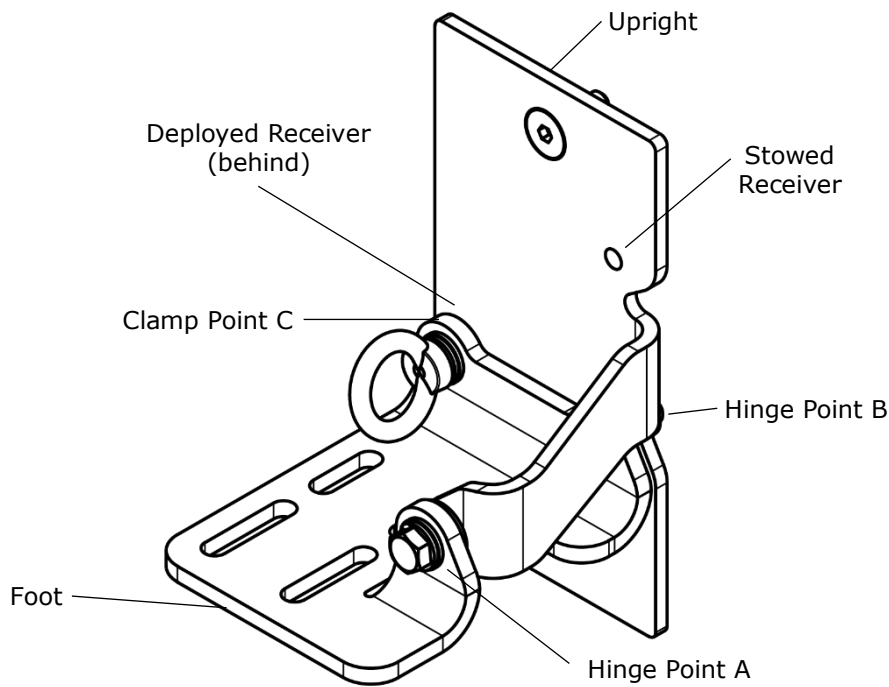
- XD SIDE TWIST SHORT FOOT BRACKET (DOUBLE) (9104)**
- XD SIDE TWIST SHORT FOOT BRACKET (TRIPLE) (9105)**
- XD SIDE TWIST LONG FOOT BRACKET (DOUBLE) (9106)**
- XD SIDE TWIST LONG FOOT BRACKET (TRIPLE) (9107)**

Congratulations on purchasing the RacksBrax **XD Side Twist Bracket**.  
This bracket only works with the **RacksBrax XD Hitch** and sits a 146 mm above roof rack in **DEPLOYED** state and 50mm above roof rack in **STOWED** state.

## INTRODUCTION

The RacksBrax XD Side Twist Bracket (with RacksBrax XD Hitch fitted-sold separately) means you can have the bracket fitted to your vehicle, remove the awning in seconds and then twist (rotate) the bracket to stow it leaving only a 50mm headroom clearance requirement above the roof rack.

The RacksBrax Side Twist Brackets for the XD Hitch are supplied in LONG or SHORT foot variants, designed for a load of 20kg (44lbs) per bracket, subject to permitted roof rack loads. The SHORT foot version typically suits roof rack bars or roof rack platforms with transverse (across the vehicle) slats or bars. LONG foot versions typically suit platform style racks where slats run longitudinally (in direction of vehicle length) enabling loads to be spread across more than one slat.



**Figure 1** Short foot version with labels shown in the deployed state (XD Hitch excluded)

The Side Twist Bracket only works with the RacksBrax quick release XD Hitch. This allows the quick release of an awning with the bracket in the deployed position then the rotation of the Side Twist Bracket to the lower headroom or stowed position.

The upright portion of this bracket can be rotated 90 degrees from the vertical position (DEPLOYED) to become horizontal (STOWED). Simply unscrew and remove the eye bolt from the "Deployed Receiver" (tapped hole, Figure 1), rotate to the stowed position and replace the eyebolt in the "Stowed Receiver" (tapped hole, Figure 1) on the foot.

Each Bracket Foot is pre-fitted at Clamp Point C with a nylon insert to limit friction between the foot and the upright during rotation between stowed and deployed modes.

XD Side Twist Brackets are available in both double and triple bracket configurations and are supplied with stainless steel fasteners to fit most roof rack bars and most roof rack platforms without a perimeter lip. Platforms with a perimeter lip will require a packer and longer M8 set screws to bring the underside of the bracket foot to the level of the top of the perimeter lip.

# RACKSBRAX.

## HOW MANY BRACKETS FOR MY ACCESSORY?

Racksbrax XD Side Twist Brackets, both Short Foot and Long Foot, are sold in double packs or triple packs.

The number of XD Side Twist Brackets must equal the number of XD Hitches recommended in the XD Hitch instructions.

## WARNING

(Read in conjunction with RacksBrax "SAFETY WARNINGS")

- 1) Bolt torque settings: M8 = 6Nm (5 ft.lb).
- 2) Do not use nylon-insert lock nuts more than once.
- 3) To reduce the chance of threads seizing use an **anti-seize compound** and tighten thread **slowly to avoid heat buildup in the threads**
- 4) **DO NOT USE DRILL TO TORQUE BOLTS**
- 5) **Maximum load** per single bracket is 20kg/44lb. **A lesser roof rack capacity may reduce this.**
- 6) Loads must not exceed the rated load capacity of the XD Hitch (20kg/44lb), the bracket (20kg/44lb), the roof rack capacity nor the vehicle manufacturers' specifications.
- 7) Awnings fastened to the brackets must be restrained in windy conditions, drained during rain and cleared during snow so as not to overload the XD Hitch, the bracket, the roof rack nor the vehicle.

## MAINTENANCE

To keep your XD Side Twist Brackets in top condition, ensure you apply some anti-seize compound to the thread on the eyebolts and threaded Receiver parts on a regular basis.

## **FITTING YOUR XD SIDE TWIST BRACKETS SHORT FOOT AND LONG FOOT**

### **TOOLS REQUIRED**

1. M8 socket and socket wrench
2. M8 open ended spanner
3. 5mm Allen wrench/key

### **SEQUENCE AND ASSEMBLY INSTRUCTIONS**

Refer to the photos in Figures 2-5 and drawings in Figures 6-8 (Short Foot) along with Parts Key in Table 1 (Short Foot) or drawings in Figures 13-15 (Long Foot) and Parts Key in Table 2 (Long Foot). Most steps are the same for the Short Foot Version as the Long Foot version of the XD Side Twist Bracket. Follow these simple steps:

- 1.** Insert the 30mm set screws, spring washers and round washers on the bracket foot per Figure 2 at **Hinge Point A** and **Hinge Point B** for each bracket set (take special care not to leave out the 22mm diameter washers, Part No 2).



**Figure 2** Fasteners at Hinge Point A and B loosely fitted (XD Side Twist Long Foot Bracket version shown)

# RACKSBRAX.

2. Bring the bracket Upright together with the Bracket Foot per Figure 3.



**Figure 3** Bring together the foot and the Upright (XD Side Twist Long Foot Bracket version shown)

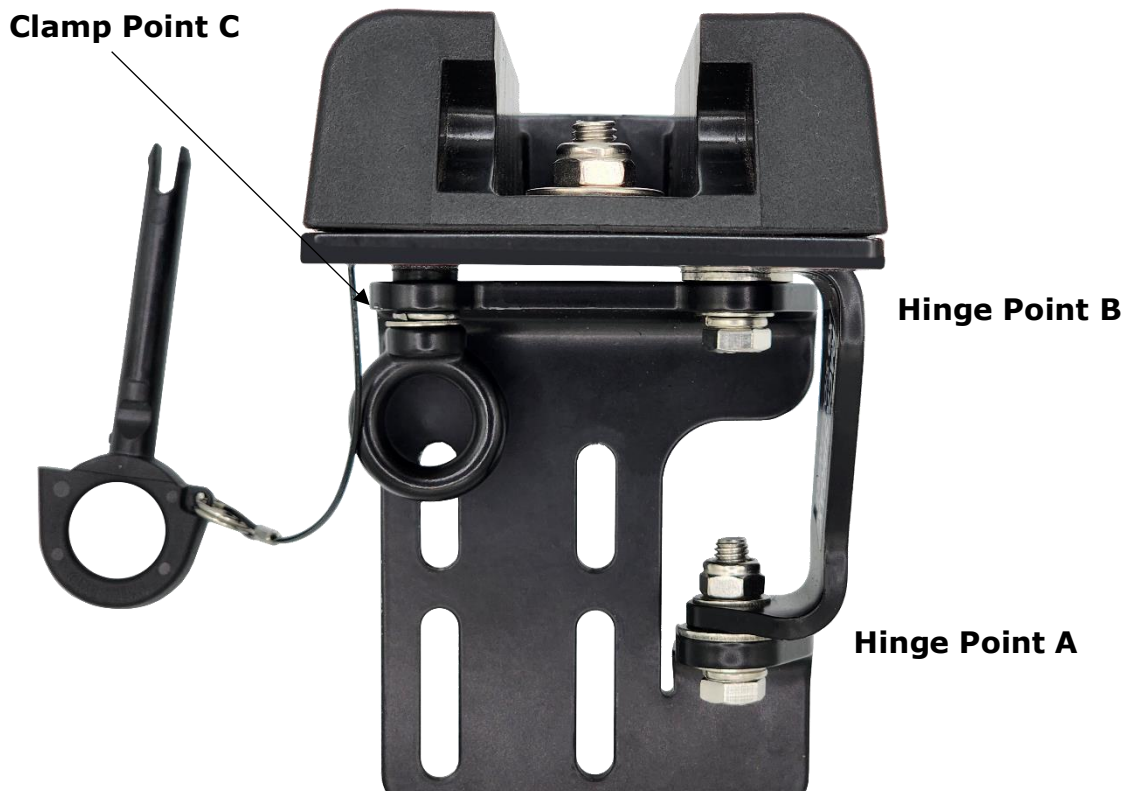
3. Add the balance of washers and nylon-insert lock nuts at Hinge Point A and Hinge Point B per Figure 4.



**Figure 4** Washers and nylon-insert nuts added

## RACKSBRAX.

4. Tighten fasteners at Hinge Point A.
5. Tighten fasteners at Hinge Point B.
6. Insert the upper M8 Socket Flat Head screw (countersink head).
7. Rotate the upright so you can insert the lower countersunk M8 Socket Flat Head screw (countersink head).
8. Fit the XD Hitch Body to the upright using the countersunk M8 Socket Flat Head screws (countersink head) (note 6 and 7 above) supplied with the XD Side Twist Bracket and washers and nylon-insert nuts supplied with the XD Hitch and tighten. Two spare nylon-insert nuts are supplied with each XD Side Twist Bracket should you be retrofitting an XD Hitch. See Figure 5.



**Figure 5** XD Hitch fitted to bracket Upright (XD Side Twist Long Foot Bracket version shown)

# RACKSBRAX.

9. Fit the 2 washers and eye bolt at Clamp Point C. See Figure 5.
10. Using either the M8 x 20mm or M8 x 16mm (Parts 7) set screws, flat washers, spring washers and slide nuts (Parts 8) fasten the Bracket Foot to the roof rack noting the configurations set out above in Figure 8 (Short Foot) and Figure 15 (Long Foot).
11. Complete the set up by following the XD Hitch instructions.
12. Finally check all fasteners have been tightened and load your awning when the Bracket/ Hitch combination are in the DEPLOYED state or remove the eyebolt and "twist" the upright to set the XD Side Twist Bracket / Hitch combination in the STOWED state.

## XD SIDE TWIST BRACKET SHORT FOOT

**TABLE 1**      **XD Side Twist Bracket Short Foot Parts List**  
(see Figure 6, 7, 8 over page)

ITEM	PART	Quantity	
		XD Side Twist Bracket Short Foot (DOUBLE) 9104	XD Side Twist Bracket Short Foot (TRIPLE) 9105
1	M8 Socket Flat Head (countersunk) x 25mm (Grade304)	4	6
2	M8 Round Washer (22mm x 1.8mm) (Grade 304)	4	6
3	M8 Hex Nut (nylon insert) (Grade 304)	8	12
4	M8 Round Washer (17mm x 1.2mm) (Grade 304)	14	21
5	M8 Spring Washer (Grade 304)	10	15
6	M8 Hex Set Screw x 30mm (Grade 304)	4	6
7	M8 Hex Set Screw x 16mm (Grade 304)*	4	6
7	M8 Hex Set Screw x 20mm (Grade 304)	4	6
8	M8 34 x 20mm Slide Nuts (Grade 304)	4	6
9	M8 Eye Bolt x 25mm (Grade304)***	2	3
10	M8 Shoulder Washer (Black Nylon) fitted (not shown)**	2	3
11	Upright	2	3
12	Short Foot	2	3
13	M8 Round Washer (22mm x 1.8mm) (Grade 304)****	0	0
	RB-INS-018 - XD Side Twist Bracket Instructions	1	1
	RB-POL-004 - Warranty and Safety Warnings	1	1

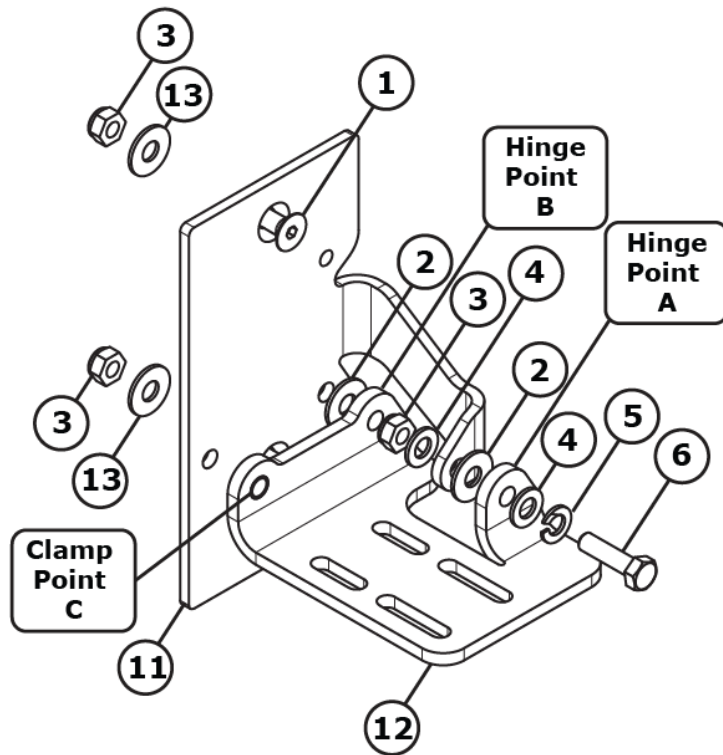
\* Use either 16mm M8 set screws OR 20mm M8 set screws (both supplied)

\*\* A shoulder washer is pre-pressed into bracket foot and allows the upright to glide over the upturned part of the foot

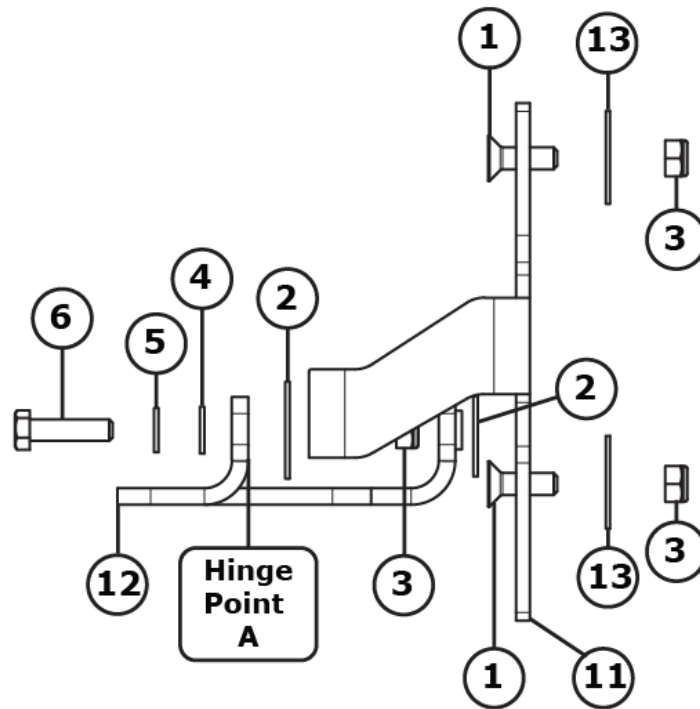
\*\*\* Eye bolt secures bracket foot to upright – hand tighten

\*\*\*\* These washers provided as part of the XD Hitch Fastener Kit

# RACKSBRAX.



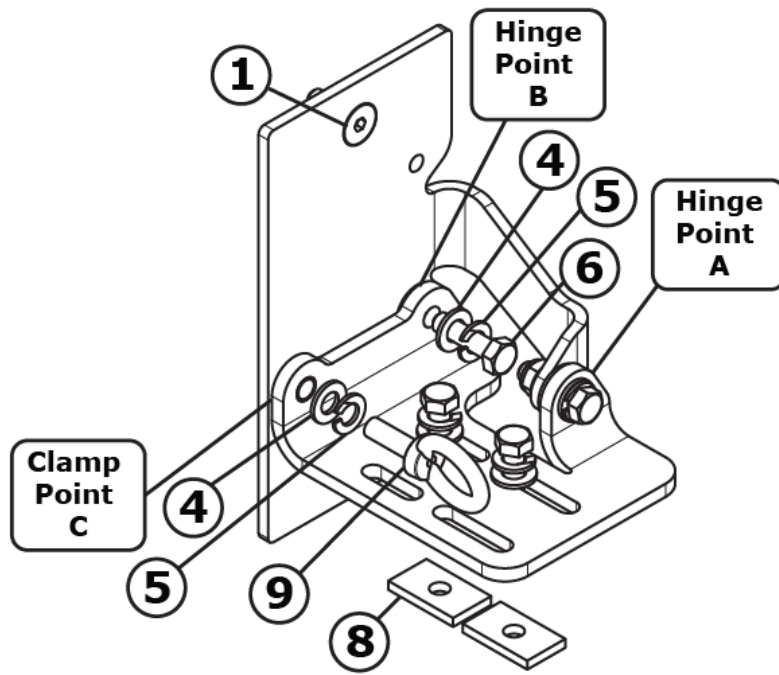
**Figure 6** Fastener Placement and Parts Key for transverse roof bars or transverse platform slats/bars View 1 (above)



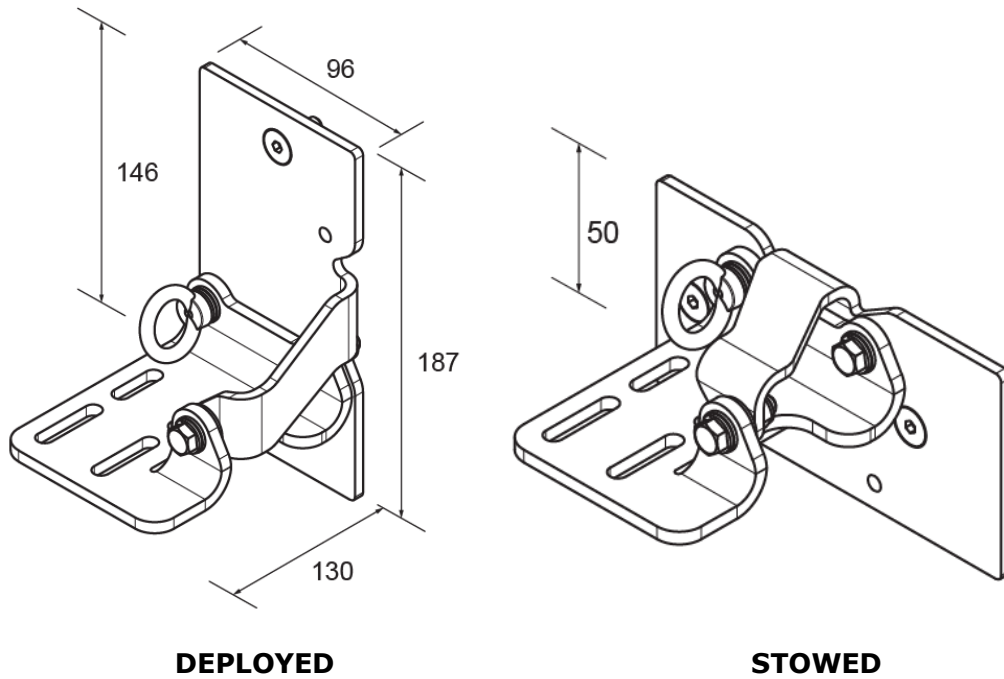
**Figure 7** Fastener Placement and Parts Key for transverse roof bars or transverse platform slats/bars View 2 (above)



# RACKSBRAX.

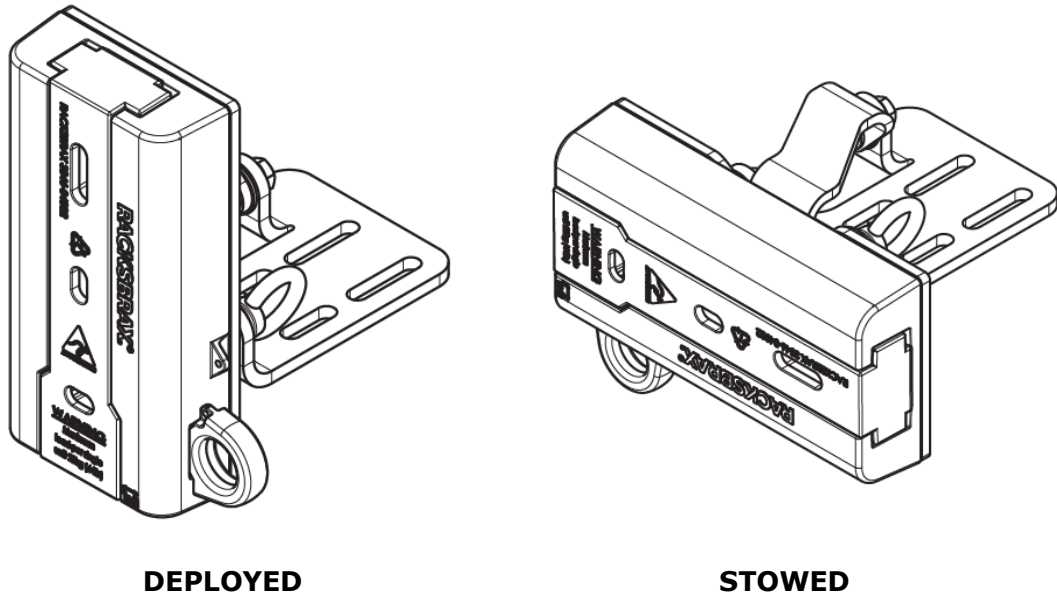


**Figure 8** Fastener Placement and Parts Key for transverse roof bars or transverse platform slats/bars View 3 (above)

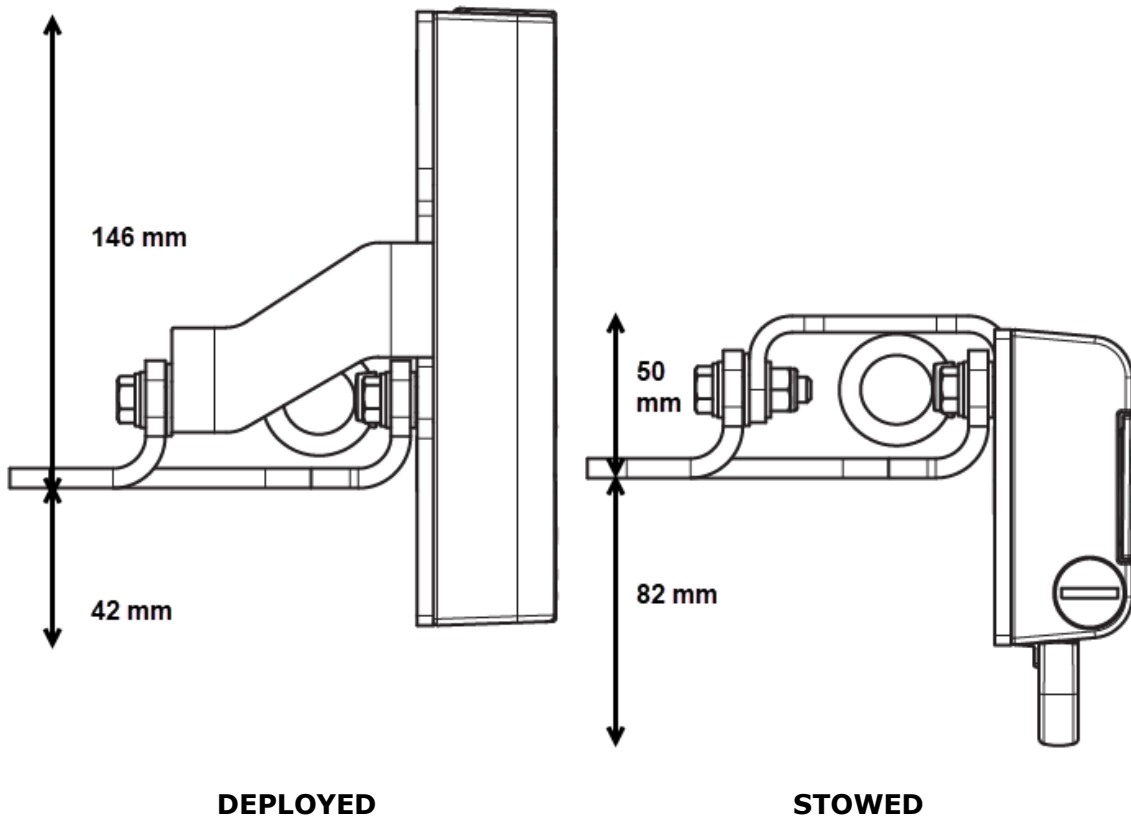


**Figure 9** XD Side Twist Short Foot Bracket Critical Dimensions in mm (above)

# RACKSBRAX.



**Figure 10** XD Side Twist Short Foot Bracket Fitted with a quick release RacksBrax XD Hitch (above)



**Figure 11** XD Side Twist Short Foot Bracket Elevations Showing Clearance Requirements Deployed and Stowed (above)

# RACKSBRAX.



XD Side Twist Bracket Short Foot on Roof Rack Bars Style 1

**DEPLOYED**



**STOWED**



XD Side Twist Bracket Short Foot on Roof Rack Bars Style 2

**DEPLOYED**



**STOWED**



\*XD Side Twist Short Foot Bracket on Platform Style Transverse Bars/Slats

\* Wedgetail Platform Rack shown with packers under bracket foot

**DEPLOYED**



**STOWED**

**Figure 12** XD Side Twist Bracket Short Foot Bracket on Various Roof Racks (above)

## HEADROOM

XD Side Twist brackets occupy 146mm of headroom above the top of the roof rack in the **deployed** position reducing to 50mm with the bracket rotated into the **stowed** position once the awning is removed.

## DOOR CLEARANCE

XD Side Twist brackets occupy 42mm of clearance above the top of the roof rack in the **deployed** position and 82 mm with the bracket rotated into the **stowed** position once the awning is removed.

## XD SIDE TWIST BRACKET LONG FOOT

**Table 2 XD Side Twist Bracket Long Foot Parts List**  
(see Figure 13 over page)

ITEM	PART	Quantity	
		XD Side Twist Bracket Long Foot (DOUBLE) 9106	XD Side Twist Bracket Long Foot (TRIPLE) 9107
1	M8 Socket Flat Head (countersunk) x 25mm (Grade304)	4	6
2	M8 Round Washer (22mm x 1.8mm) (Grade 304)	4	6
3	M8 Hex Nut (nylon insert) (Grade 304)	8	12
4	M8 Round Washer (17mm x 1.2mm) (Grade 304)	16	24
5	M8 Spring Washer (Grade 304)	12	18
6	M8 Hex Set Screw x 30mm (Grade 304)	4	6
7	M8 Hex Set Screw x 16mm (Grade 304)*	6	9
7	M8 Hex Set Screw x 20mm (Grade 304)*	6	9
8	M8 34 x 20mm Slide Nuts (Grade 304)	6	9
9	M8 Eye Bolt x 25mm (Grade304)***	2	3
10	M8 Shoulder Washer (Black Nylon) fitted (not shown)**	2	3
11	Upright	2	3
12	Long Foot	2	3
13	M8 Round Washer (22mm x 1.8mm) (Grade 304)****	0	0
	RB-INS-018 - XD Side Twist Bracket Instructions	1	1
	RB-POL-004 - Warranty and Safety Warnings	1	1

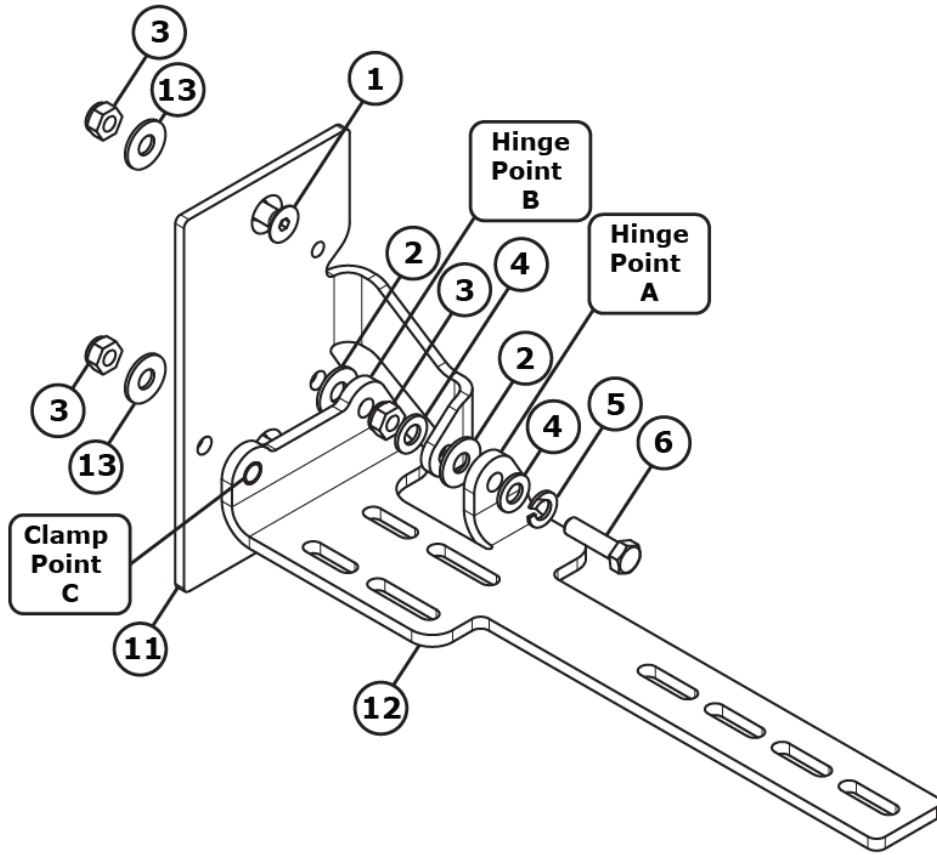
\* Use either 16mm M8 set screws OR 20mm M8 set screws (both supplied)

\*\* A shoulder washer is pre-pressed into bracket foot and allows the upright to glide over the upturned part of the foot

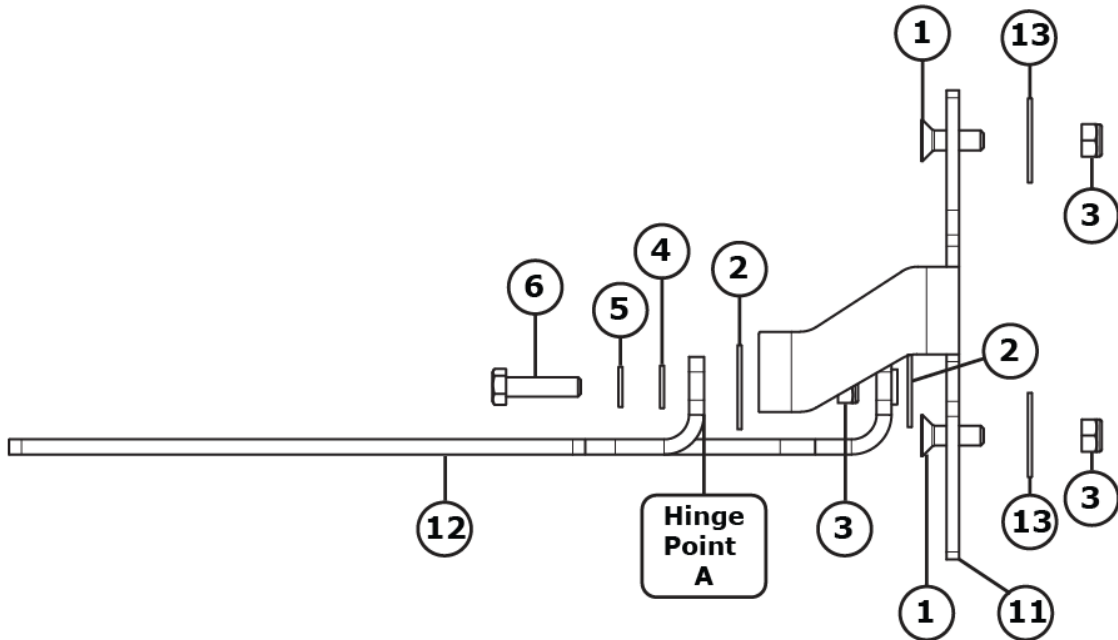
\*\*\* Eye bolt secures bracket foot to upright – hand tighten

\*\*\*\* These washers provided as part of the XD Hitch Fastener Kit

# RACKSBRAX.

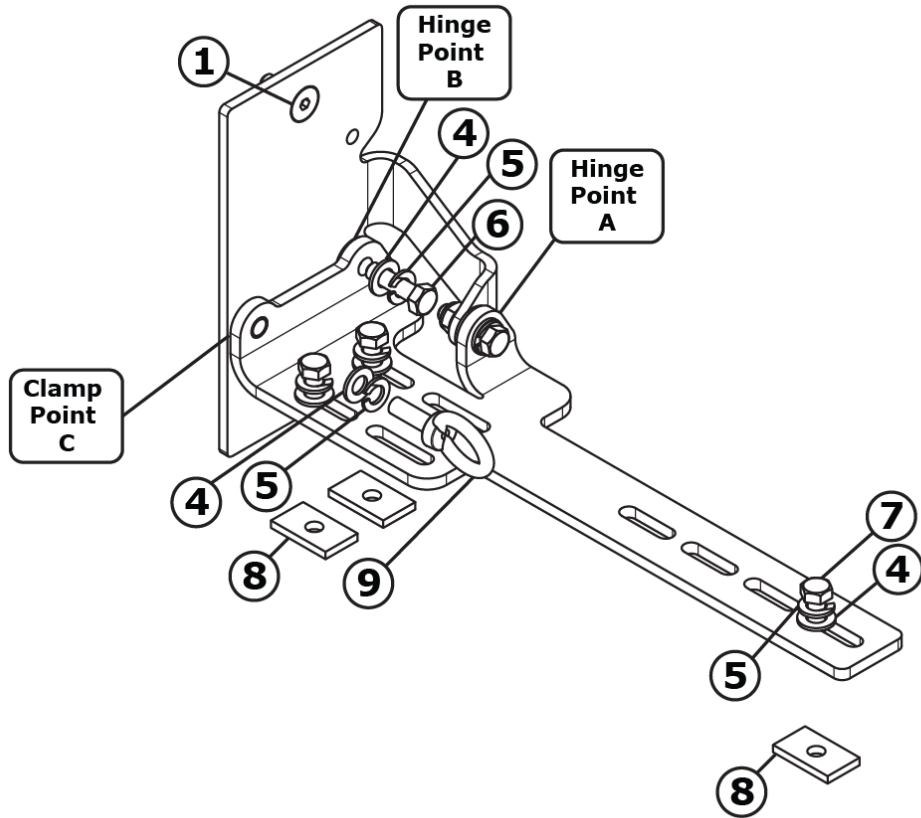


**Figure 13** Fastener Placement and Parts Key for Longitudinal Platform Slats - View 1 (above)

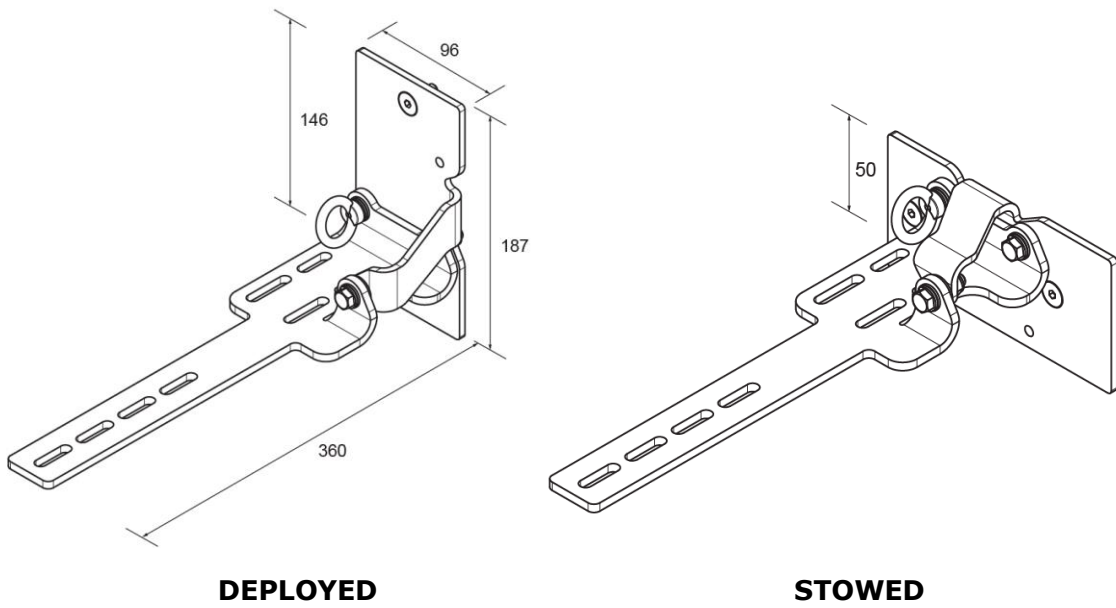


**Figure 14** Fastener Placement and Parts Key for Longitudinal Platform Slats - View 2 (above)

# RACKSBRAX.

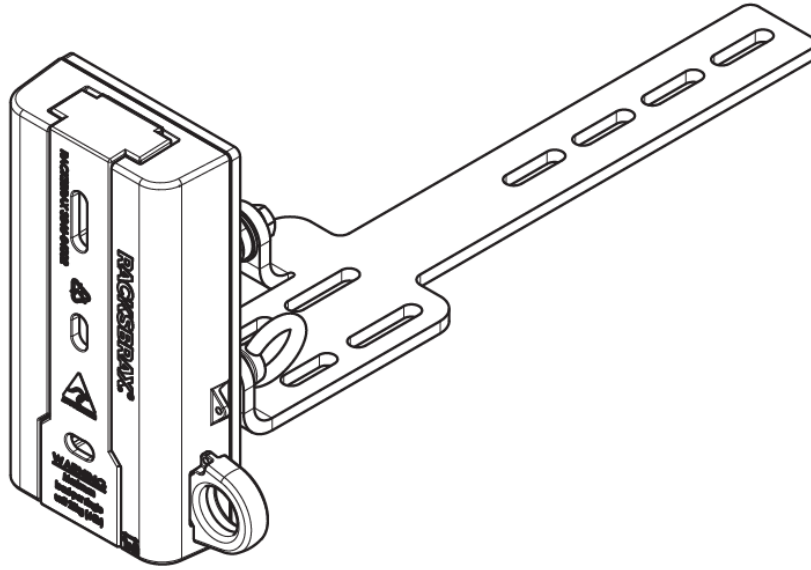


**Figure 15** Fastener Placement and Parts Key for Longitudinal Platform Slats - View 3 (above)

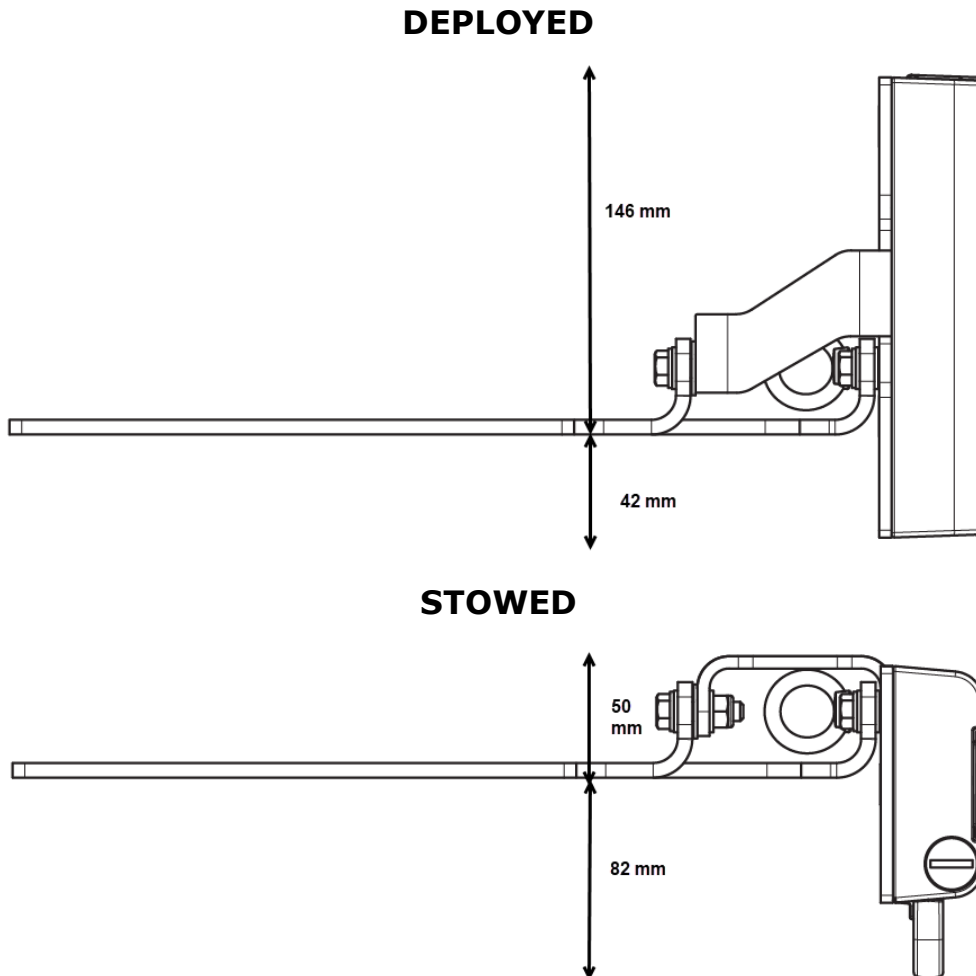


**Figure 16** XD Side Twist Long Foot Bracket Critical Dimensions in mm (above)

# RACKSBRAX.



**Figure 17** XD Side Twist Long Foot Bracket fitted with a RacksBrax quick release XD Hitch (above)



**Figure 18** XD Side Twist Long Foot Bracket - Elevations showing Clearance Requirements (above)



## HEADROOM

XD Side Twist brackets occupy 146mm of headroom above the top of the roof rack in the **deployed** position reducing to 50mm with the bracket rotated into the **stowed** position once the awning is removed. Refer to Figure 18.

## DOOR CLEARANCE

XD Side Twist brackets occupy 42mm of clearance above the top of the roof rack in the **deployed** position and 82 mm with the bracket rotated into the **stowed** position once the awning is removed. Refer to Figure 18.

**Figure 19** XD Side Twist Bracket Long Foot on Platform Style Racks with Longitudinal Slats



XD Side Twist Bracket Long Foot on Platform Style Racks with Longitudinal Slats

**DEPLOYED**

**STOWED**



**FAST ON!  
FAST OFF!**

