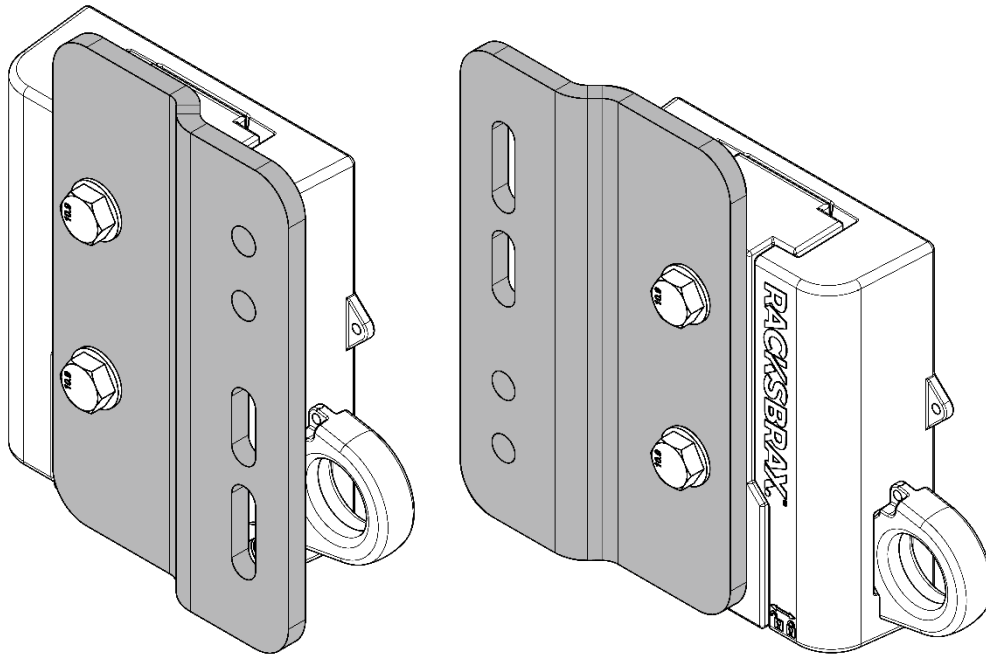


RACKS BRAX.®



HD AWNING ADAPTOR PLATE

**EXTENDS THE RANGE OF
AWNINGS THAT CAN FIT TO THE RACKSBRAX HD HITCH**

Assembly and Mounting Instructions

**HD Awning Adaptor Plate (DOUBLE) (8192)
HD Awning Adaptor Plate (TRIPLE) (8193)**

Congratulations on purchasing the RacksBrax HD Awning Adaptor Plates.

The product has been engineered and manufactured to the highest standards to ensure safety, quality and ease of use to adapt the RacksBrax HD Hitch to an extended **range of pull-out and wing awnings** with awning spine mounting points between 52mm and 100mm.

(This product replaces previous RackBrax products, HD Awning Adaptor Bars 8175 and 8176)
(see dimensions in Figure 2).

RACKSBRAX.

Table 1 HD Awning Adaptor Plates Parts List
(see Figure 1 over page)

ITEM	PART	Quantities Supplied with the HD Awning Adaptor Plates	
		HD Awning Adaptor Plate (DOUBLE) 8192	HD Awning Adaptor Plate (TRIPLE) 8193
1	SS304 NYLON INSERT NUT M8	4	6
2	SS304 WASHER FLAT M8 X 17 X 1.2	4	6
3	Generic bracket (not included)	0	0
4	HD Hitch Body (sold separately)	0	0
5	HD Hitch Pin (sold separately)	0	0
6	SS304 WASHER MUD M8 X 22***	6	9
7	SS304 SET SCREW M8 X 25*	4	6
8	SS304 HOLDER WASHER M8 2mm X 32mm X 22.5mm ****	2	3
9	HD Hitch Holder (sold separately)	0	0
10	HD Awning Adaptor Plates ⁺	2	3
11	Generic awning section	0	0
	RB-INS-017 - HD Awning Adaptor Plates Instructions	1	1
	RB-POL-004 - Warranty and Safety Warnings	1	1

- + May be rotated 180 degrees to allow additional height adjustment
- * These 25mm set screws replace the M8 x 20mm set screws supplied with the HD Hitch
- ** Use these nuts in addition to the nuts supplied with the HD Hitch (some 17mm x 1.2mm washers supplied with the HD Hitch also need to be used with the HD Awning Adaptor Plate-see Figure1)
- *** These washers interface with the inside of the nylon HD Hitch Holder (upper) and nylon HD Hitch Body (upper and lower)
- **** These washers interface with the inside of the nylon HD Hitch Holder (lower)

WHY AN HD AWNING ADAPTOR PLATE?

The RacksBrax HD Hitch is designed to permit the fast release or fast loading of pull-out awnings with vertically spaced spine mounting points in the range of 40mm to 52mm. A number of awnings do not fit this requirement. The HD Hitch in combination with the **HD Awning Adaptor Plates** enables more pull-out awnings and a number of wing awnings to fit the HD Hitch.

For a full range of awning mounting point spacings that are available with the **HD Awning Adaptor Plates** see Figure 2. This figure shows the dimensions of possible awning mounting points.

NOTE: These instructions must be read in conjunction with the instructions for the RacksBrax HD Hitch RB-INS-001 supplied with the RacksBrax HD Hitch.

WARNING

(Read in conjunction with RacksBrax "SAFETY WARNINGS")

- 1) Set Screw torque settings: M8 = 6Nm (5 ft.lb)
- 2) Do not use nylon-insert lock nuts more than once
- 3) **DO NOT USE DRILL TO TORQUE BOLTS**
- 4) **Maximum load** per single HD Hitch/HD Awning Adaptor Plate pair is 20kg (44lb).
A lesser roof rack capacity may reduce this.
- 5) Loads must not exceed the rated load capacity of the HD Hitch/HD Awning Adaptor Plate pair, the bracket, the roof rack nor the vehicle manufacturers specifications.
- 6) Awnings must be restrained in windy conditions, drained during rain and cleared during snow.

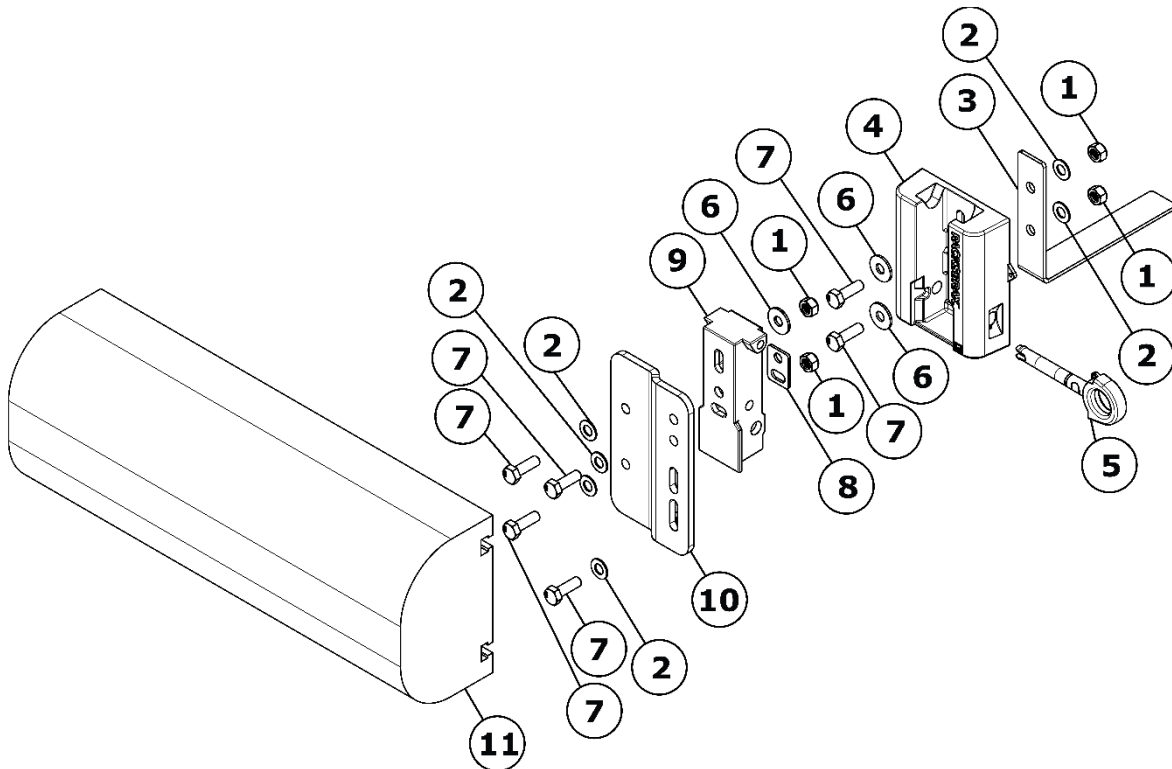


Figure 1 HD Hitch with HD Awning Adaptor Plates, exploded view

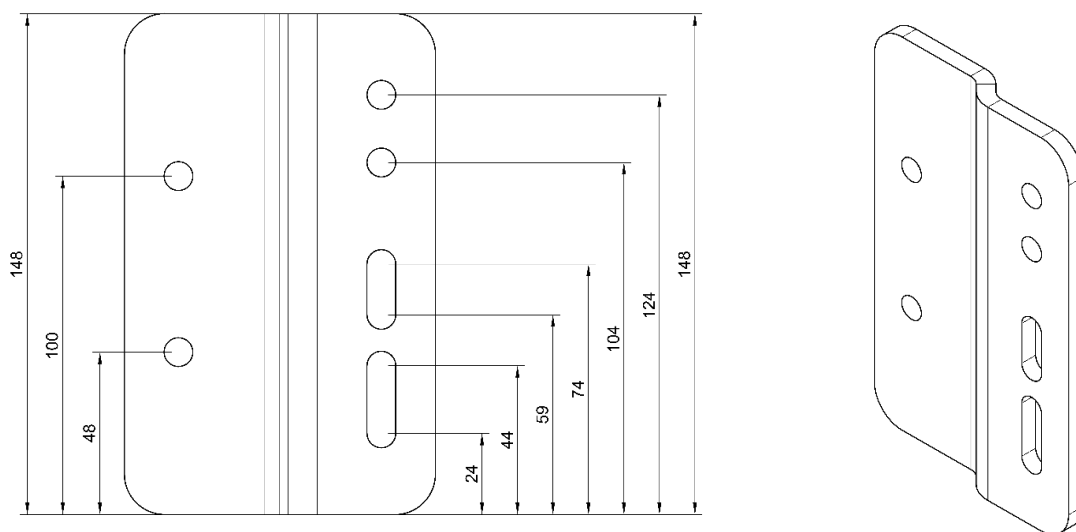


Figure 2 HD Awning Adaptor Plate Dimensions

HOW MANY HD HITCHES/HD AWNING ADAPTOR PLATES FOR MY AWNING?

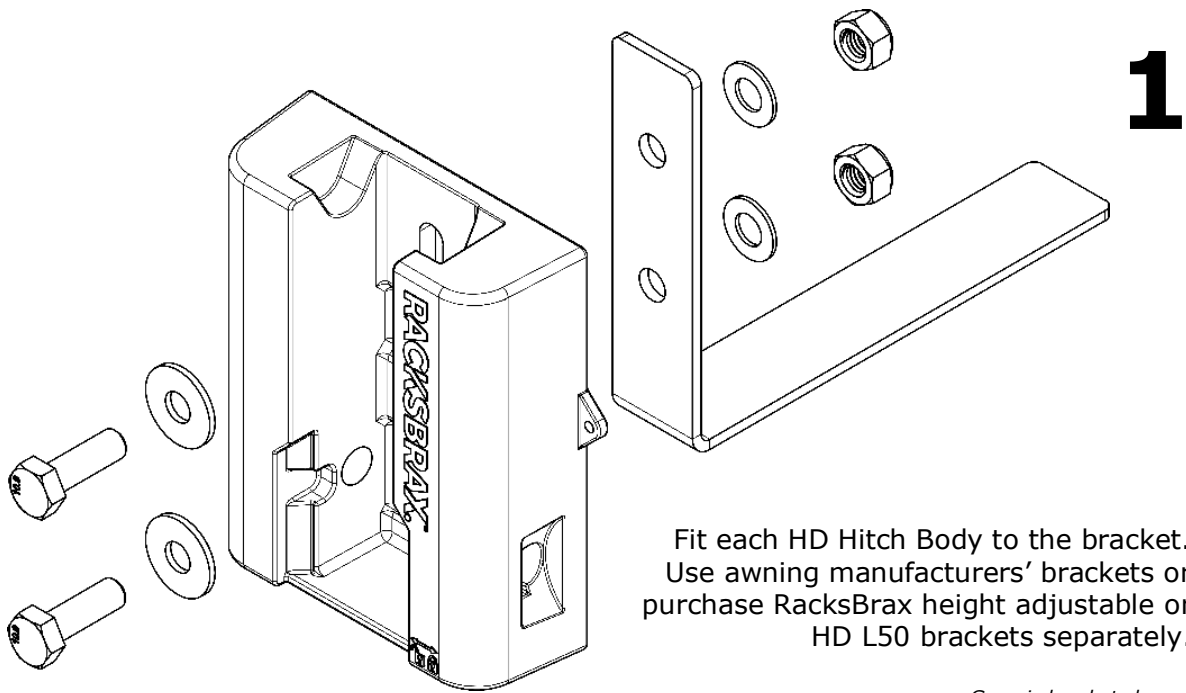
Racksbrax HD Hitches and the HD Awning Adaptor Plates are sold as separate products, each in double or triple packs.

1. Firstly, the number of HD Hitches/HD Awning Adaptor Plates **must not be less** than the number of brackets (support points) recommended by the awning manufacturer.
2. Secondly, for a given awning type, the table below outlines the minimum number of HD Hitches/HD Awning Adaptor Plates needed, which **may** exceed quantities in 1 above. Ensure you satisfy the requirement of each column for your given awning whilst ensuring you also comply with 1 above.

AWNINGTYPE	ROOF AREA m ² (ft ²)	MAXIMUM awning weight kg (lbs)*	MINIMUM # of HD Hitches/HD Awning Adaptor Plates (and thus brackets)
Pull-out	≤9m ² (97 ft ²)	40kg (88lb)	2 (Double)
180° and 270°	≤12m ² (129 ft ²)	40kg (88lb)	2 (Double)
180° and 270°	>12m ² (129 ft ²)	60kg (132lb)	3 (Triple)
360°	>12m ² (129 ft ²)	80kg (176lb)	4 (2 x Double)

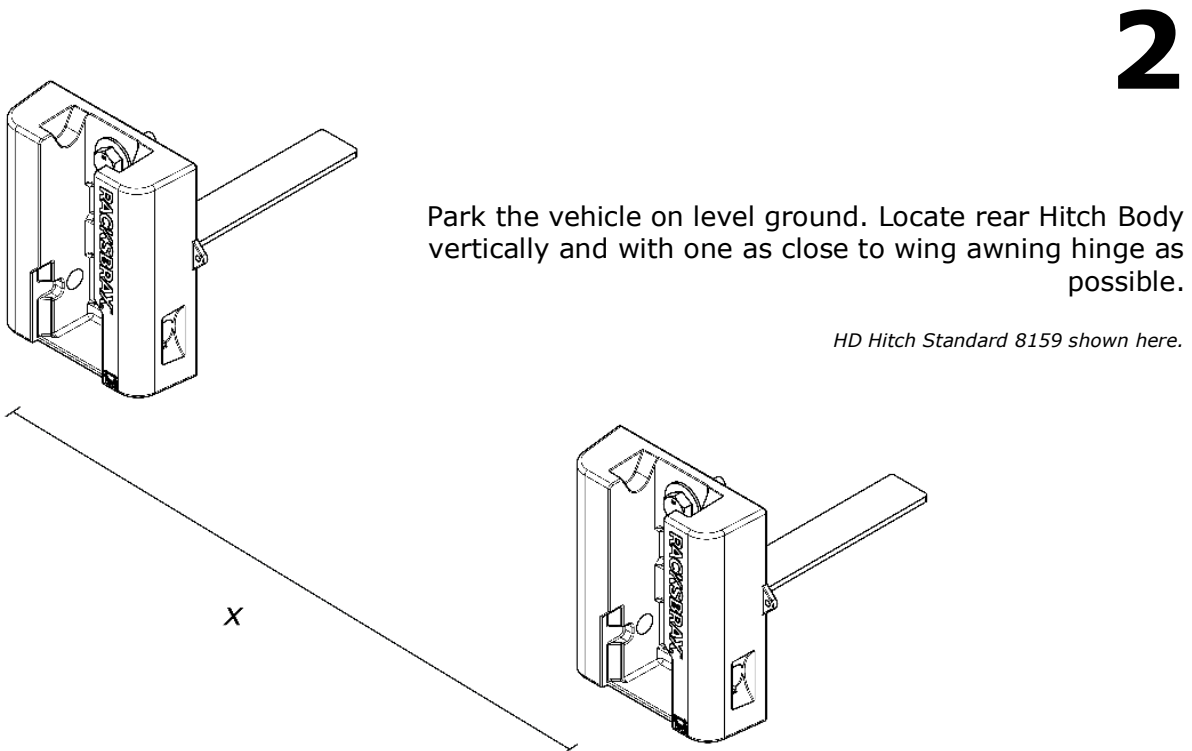
* Loads must not exceed the rated load capacity of the HD Hitch/ HD Awning Adaptor Plates, the bracket, the roof rack nor the vehicle manufacturers specifications.

RACKSBRAX.



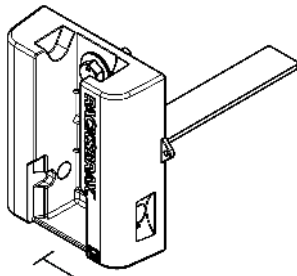
Fit each HD Hitch Body to the bracket. Use awning manufacturers' brackets or purchase RacksBrax height adjustable or HD L50 brackets separately.

Generic bracket shown.



Park the vehicle on level ground. Locate rear Hitch Body vertically and with one as close to wing awning hinge as possible.

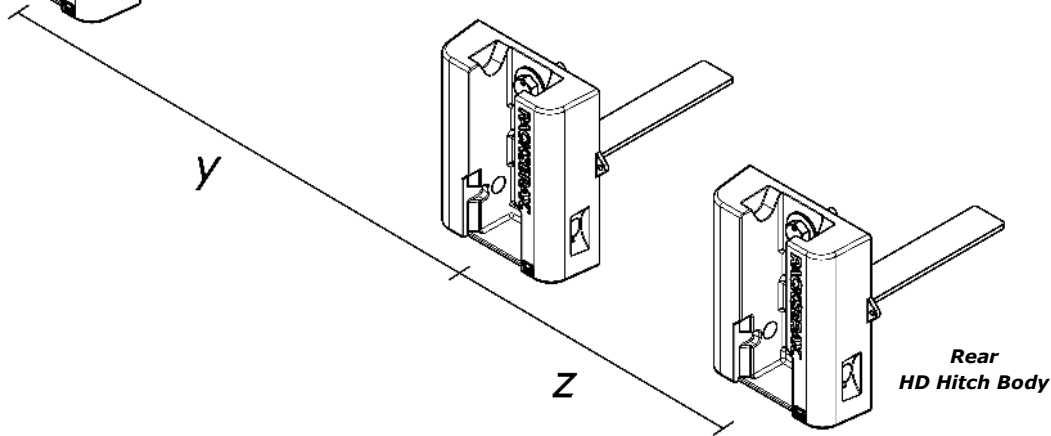
HD Hitch Standard 8159 shown here.



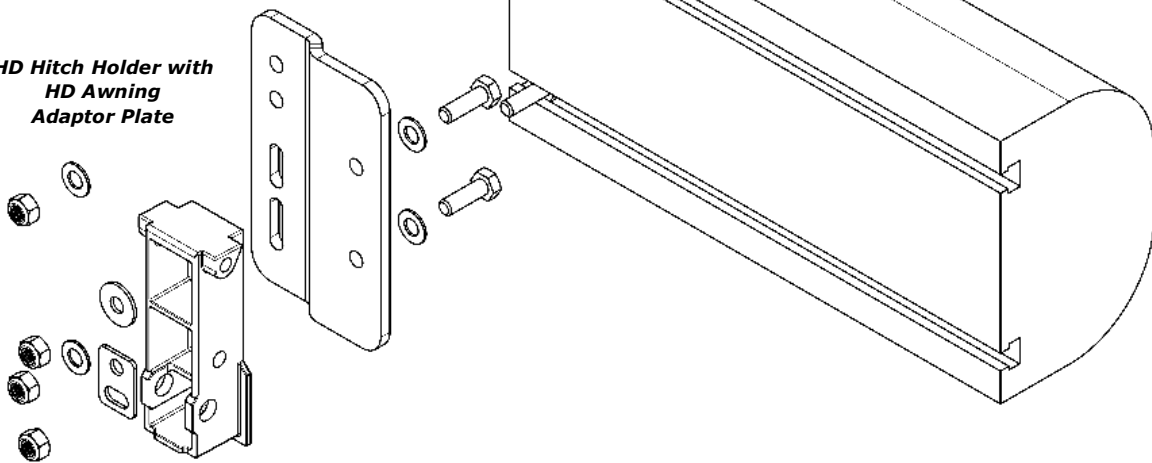
Park the vehicle on level ground. Locate rear Hitch Body vertically and as close to wing awning hinge as possible.

3

HD Hitch (Triple) 8183 model shown here.



**HD Hitch Holder with
HD Awning
Adaptor Plate**



4

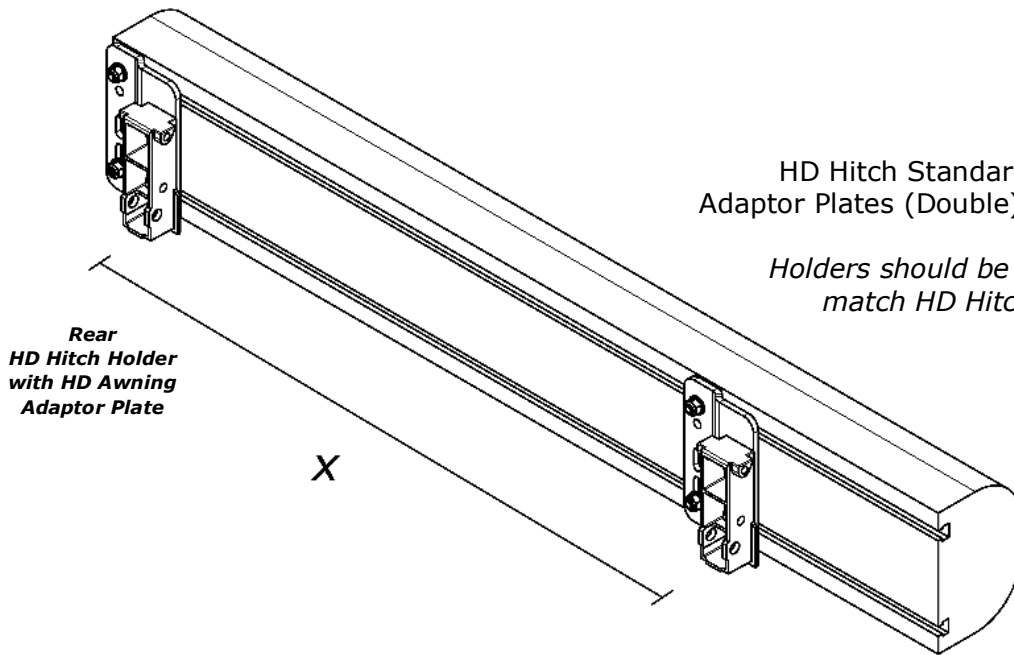
Fit each HD Awning Adaptor Plate to the HD Hitch Holder (2 bolt holes in configuration shown) then fit the HD Awning Adaptor Plate to the wing awning mounting points (shortened wing awning shown here for clarity).

NOTE: Adaptor Plate may be rotated 180 degrees to allow a height adjustment.

5

HD Hitch Standard with HD Awning Adaptor Plates (Double) Holder Locations

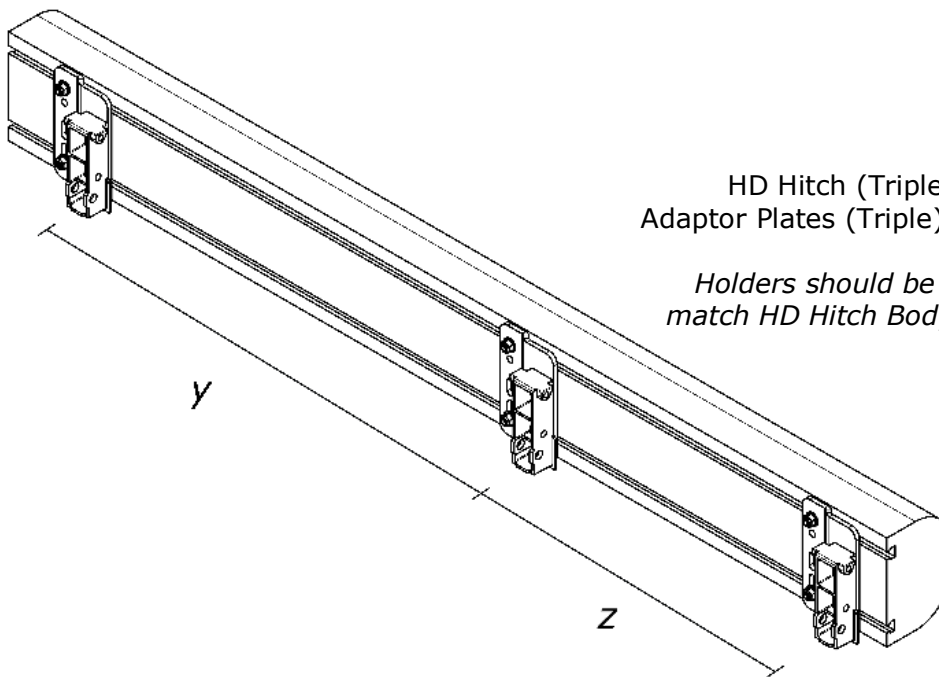
Holder should be spaced to exactly match HD Hitch Body centres x.



6

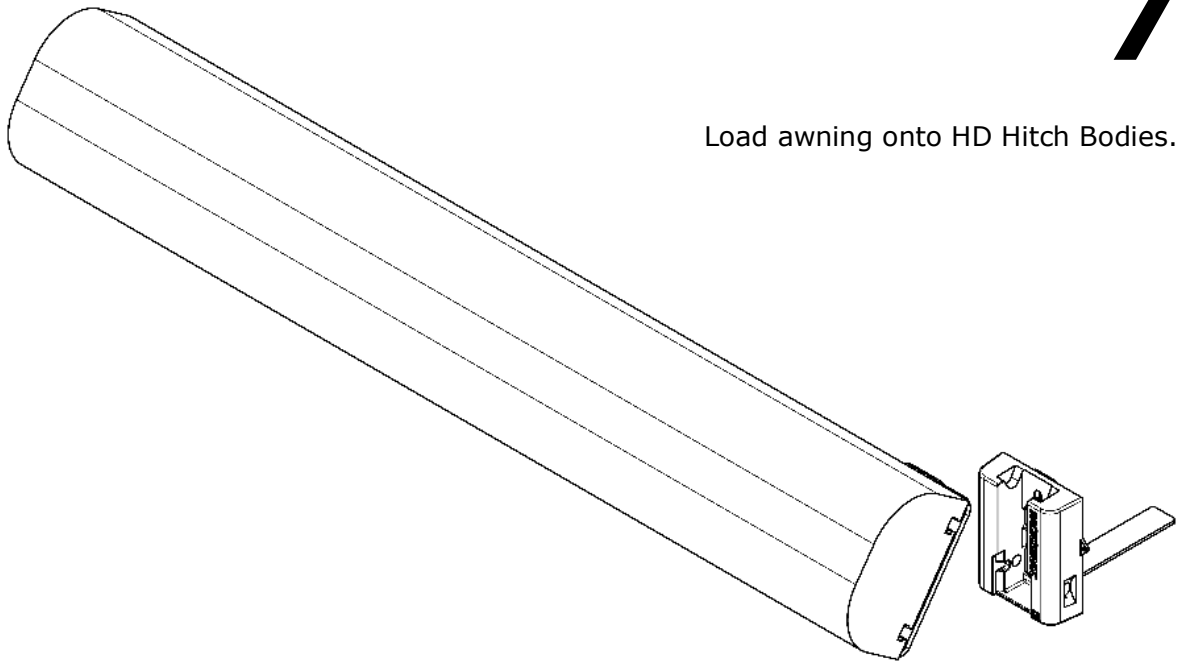
HD Hitch (Triple) with HD Awning Adaptor Plates (Triple) Holder locations.

Holder should be spaced to exactly match HD Hitch Body centres y and z.



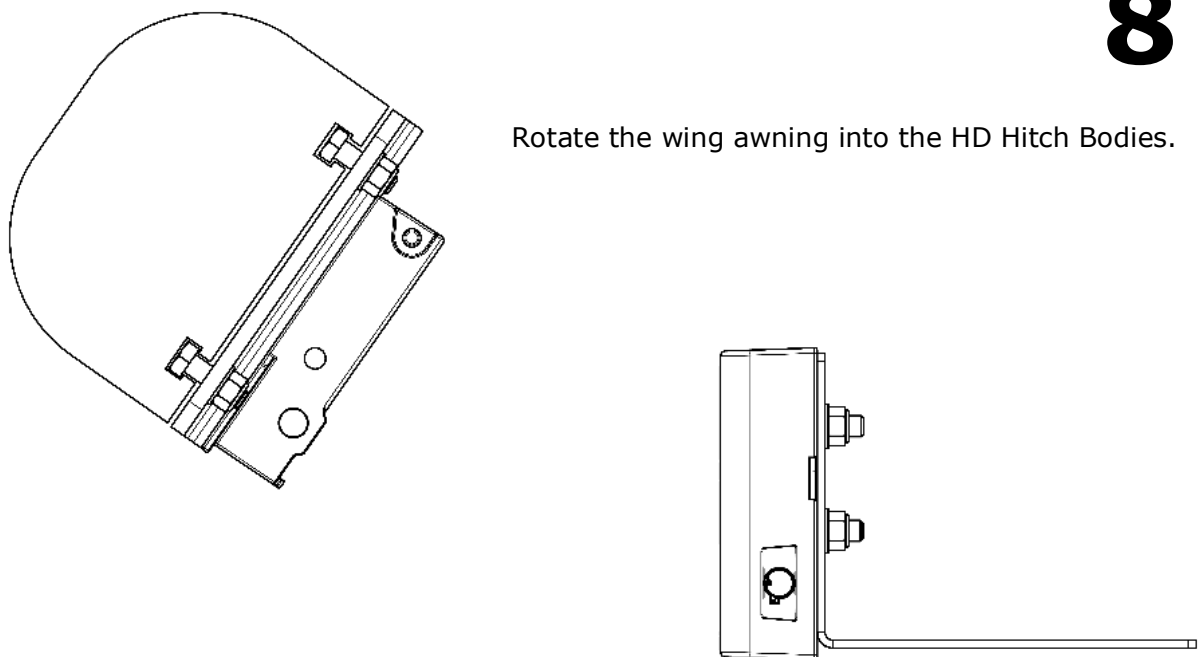
7

Load awning onto HD Hitch Bodies.



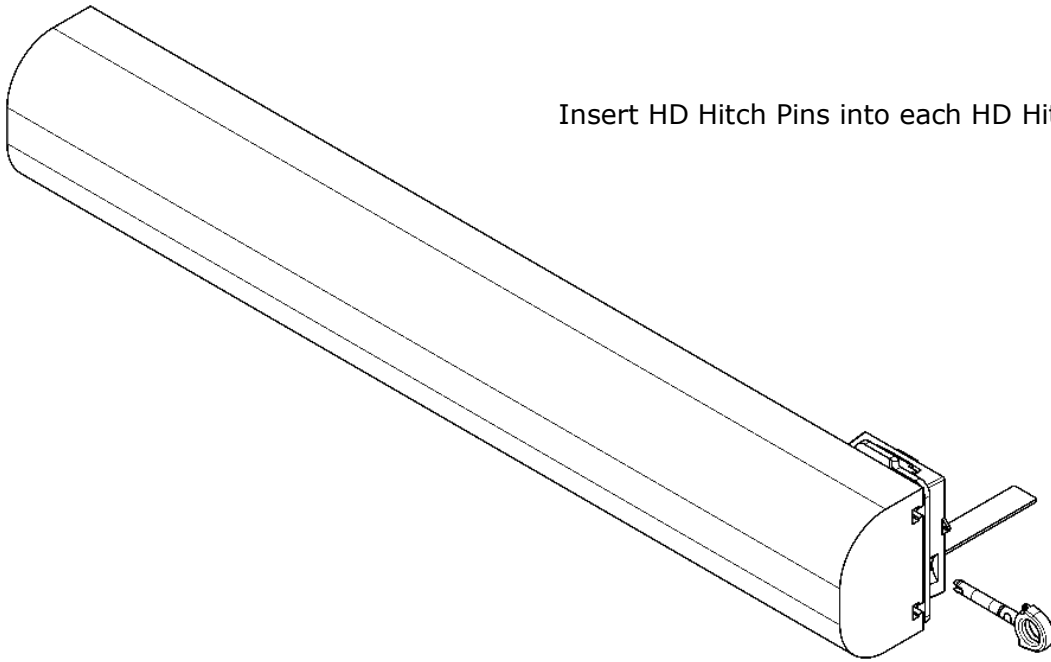
8

Rotate the wing awning into the HD Hitch Bodies.



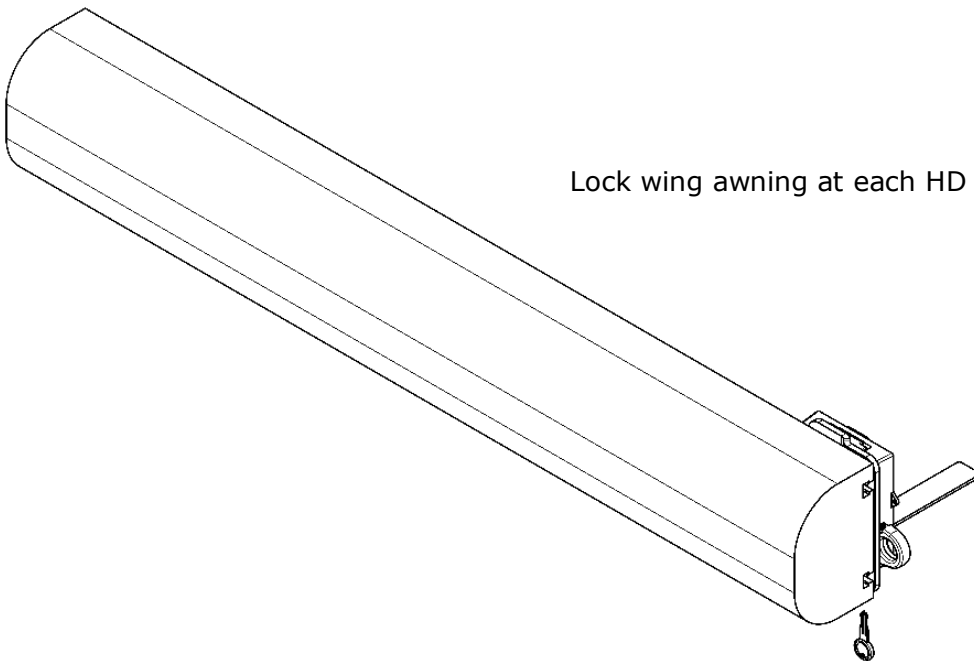
9

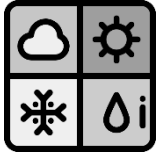
Insert HD Hitch Pins into each HD Hitch Body.



10

Lock wing awning at each HD Hitch with key.





AWNINGS: WIND, RAIN AND SNOW

The HD Hitch/HD Awning Adaptor Plates mounting system is designed with a high load capacity relative to the weight of even the heaviest awnings. However, in the deployed state, loads from high winds, pooled rainwater, and accumulated snow can exceed the HD Hitch/HD Awning Adaptor Plate load capacity.

Always follow the awning manufacturer's recommendation with respect to awning use under conditions of wind, rain and snow. In addition, it is recommended that in windy conditions poles and guy ropes are always installed, and that during rain and snow events, that steps are taken to prevent excessive loading on the awning. For example, do not leave un-guyed awnings unattended if weather conditions may deteriorate.

Due to the high number of variables associated with wind direction, awning size and arrangement, local terrain, and other factors, it is not possible to provide meaningful wind speed recommendations.

THE 3 ENEMIES OF AWNINGS ARE: WIND, RAIN AND SNOW.

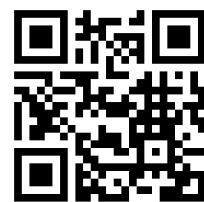
WIND: The wind loads on the awning mounting system relate to wind direction, wind strength, local terrain and awning area. In gusty conditions in particular, the loads on the awning are unpredictable, and may vary from upwards to downwards in a short space of time. It is recommended that in all but calm conditions, regardless of the awning manufacturer's instructions, that awnings should be restrained with poles and guy ropes to prevent damage to the mounting system.

RAIN: Most wing awnings come with a means to deflect runoff water from rain to avoid stretching the awning material (and causing other damage) when water collects in pools. Typically, this is accomplished with guy ropes set midway between the rafters and with poles at the rafters. To prevent potential overloading of the mounting system during heavy rain, drainage measures are recommended.

SNOW: The awning mounting system may be overloaded under snow loads. In snow conditions where heavy snow loads may develop, snow needs to be periodically cleared or the awning needs to be stowed.

Failure to adhere to any of these recommendations may void the RacksBrax Warranty.

**FAST ON!
FAST OFF!**



To learn more, scan the QR code or
visit ***racksbrax.com***