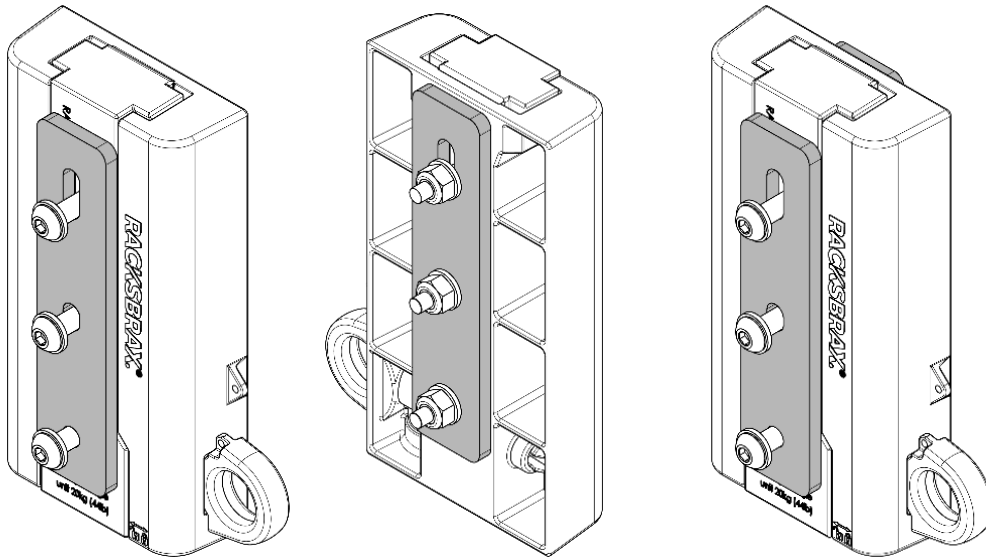


RACKS BRAX®



XD AWNING CONNECTOR

(FOR ALU-CAB® AND QUICK PITCH®)

**EXTENDS THE RANGE OF
WING AWNINGS THAT CAN FIT TO THE RACKSBRAX XD HITCH**

Assembly and Mounting Instructions

**XD Awning Connector (Double) (9120)
XD Awning Connector (Triple) (9121)**

Congratulations on purchasing the
RacksBrax XD Awning Connector.

The product has been engineered and manufactured
to the highest standards to ensure safety, quality and ease of use to adapt the
RacksBrax XD Hitch to the
Alu-Cab® 270 Shadow and
Quick Pitch® Weathershade 20 Second awnings
(see dimensions in Figure 5).

RACKSBRAX.

Note: These instructions must be read in conjunction with the instructions for the RacksBrax XD Hitch RB-INS-009 instructions supplied with the RacksBrax XD Hitch.

WARNING

(Read in conjunction with RacksBrax "SAFETY WARNINGS")

- 1) Bolt torque settings: M8 = 6Nm (5 ft.lb)
- 2) Do not use nylon-insert lock nuts more than once
- 3) **DO NOT USE DRILL TO TORQUE BOLTS**
- 4) **Maximum load** per single XD Hitch/XD Connector combination is 20kg (44lb).
A lesser roof rack capacity may reduce this.
- 5) Loads must not exceed the rated load capacity of the XD Hitch/XD Awning Connector, the bracket, the roof rack nor the vehicle manufacturers specifications.
- 6) Awnings must be restrained in windy conditions, drained during rain and cleared during snow.

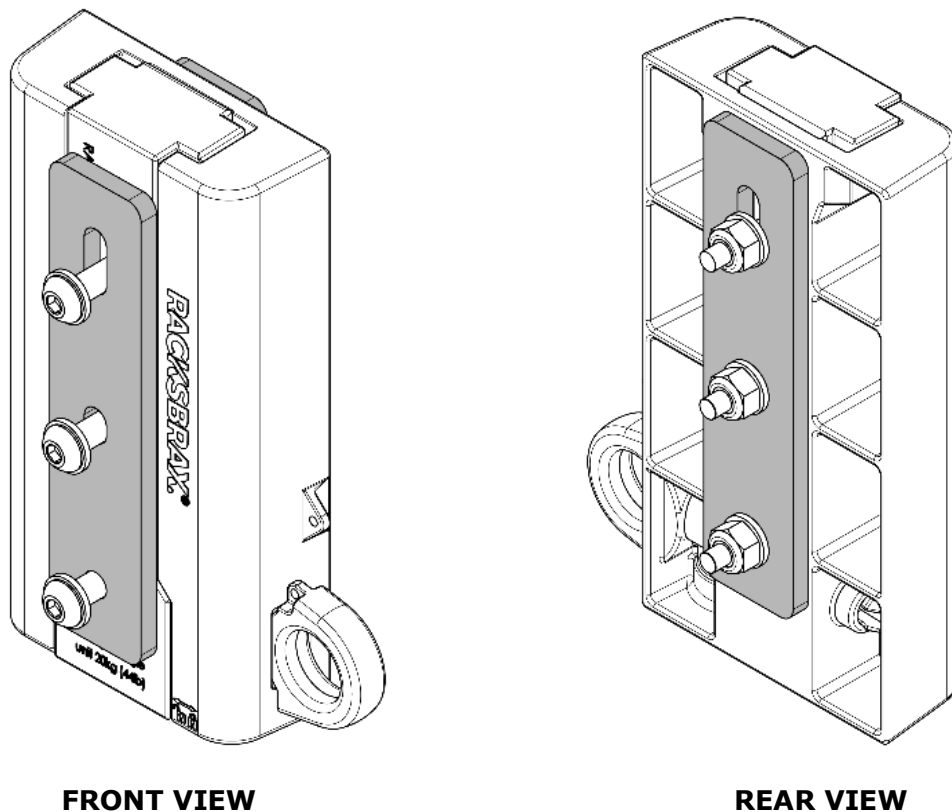
SECTION 1

WHY AN XD AWNING CONNECTOR?

The RacksBrax XD Hitch is designed to allow the fast release or fast loading of (180°, 270° or 360°) wing-style awnings with vertically spaced mounting points in the range of 100mm to 120mm. A number of awnings do not fit this requirement. The **XD Hitch** in combination with the **XD Awning Connector** enables the Alu-Cab® 270 Shadow and the Quick Pitch® Weathershade 20 Second awnings to fit the XD Hitch.

When using Alu-Cab® or Quick Pitch® Brackets, an XD Awning Connector will need to fit to both the back (of the XD Hitch Body) and front (of the XD Hitch Holder) on each XD Hitch (See Figure 1 and 3 below and SECTION 2 of these instructions).

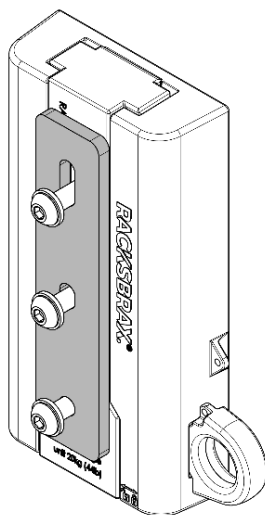
Figure 1 Front and rear view of the XD Hitch with Connectors on front and rear



RACKSBRAX.

When using RacksBrax XD Adjustable Brackets, an XD Awning Connector will **ONLY** need to fit to the front of the XD Hitch Holder on each XD Hitch, i.e. it sits between the XD Hitch Holder and the awning spine (Figure 2 and 4 below and SECTION 3 of these instructions). In this case you will have left over Connectors, one per Hitch.

Figure 2 Front view of the XD Hitch with Connector on the front only



FRONT VIEW

Table 1 XD Awning Connector Parts List
(refers to Figures 3 and 4)

ITEM	PART	Quantities Supplied with the XD Awning Connector	
		XD Awning Connector (Double) 9120	XD Awning Connector (Triple) 9121
1	Alu-Cab®/Quick Pitch® style bracket (not included)	0	0
2	RacksBrax Adjustable Bracket (not included)	0	0
3	XD Hitch Body (sold separately)	0	0
4	XD Hitch Pin (sold separately)	0	0
5	XD Hitch Holder (sold separately)	0	0
6	XD Alu-Cab® / Quick Pitch® Awn Connector	2 pair (4)	3 pair (6)
7	Generic awning spine	0	0
8	M8 Hex Set Screw x 30 (Grade 304)*	5	7
9	M8 Cap Screw x 30 (Grade 304)**	5	7
10	M8 Hex Nut (nylon insert) (Grade 304)	10	14
11	M8 Round Washer (17mm x 1.2mm) (Grade 304)	20	28
12	RB-INS-015 - XD Awning Connector Instructions	1	1
13	RB-POL-004 - Warranty and Safety Warnings	1	1

* Fits the XD Hitch Body to one Connector Bar and the bracket mount where bracket mount points are at 50mm centres (Alu-Cab® or Quick Pitch® Brackets). If using the RacksBrax Adjustable brackets use M8 x 25 Hex Set Screws supplied with the XD Hitch.

** Fits the XD Hitch Holder to one Connector Bar and the awning "spine" (channel). Button Heads located so they are visible from inside awning

Figure 3 XD Hitch with XD Awning Connector using Alu-Cab® / Quick Pitch® style brackets - exploded view (refer to Table 1 for key)

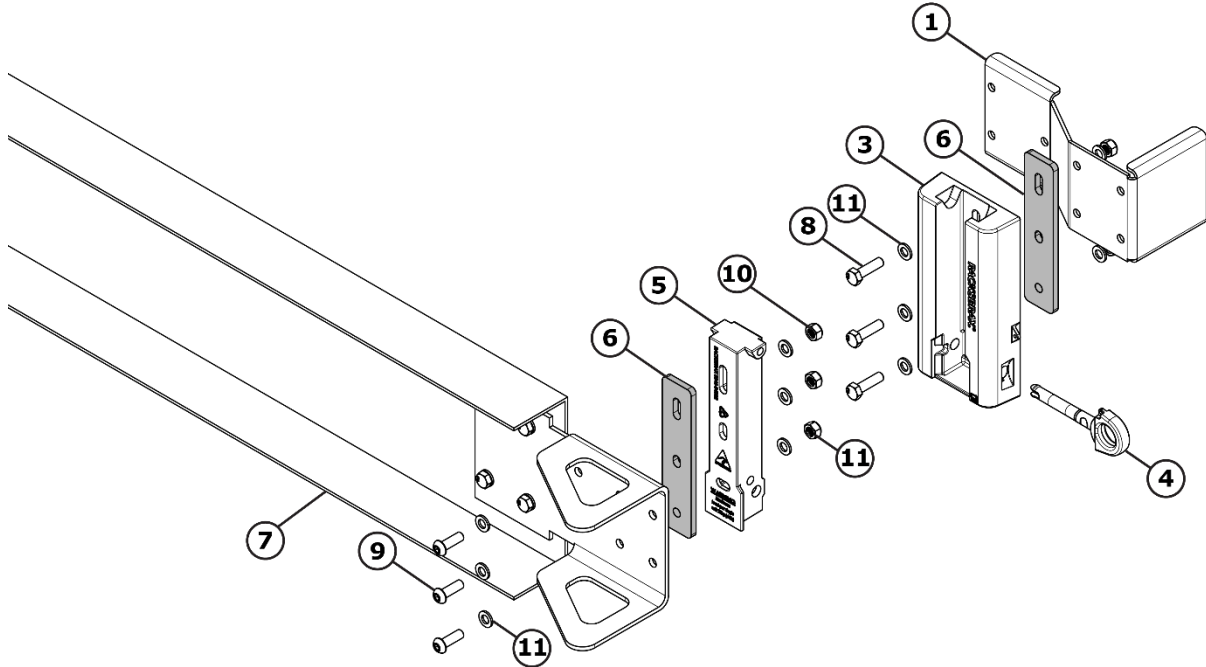
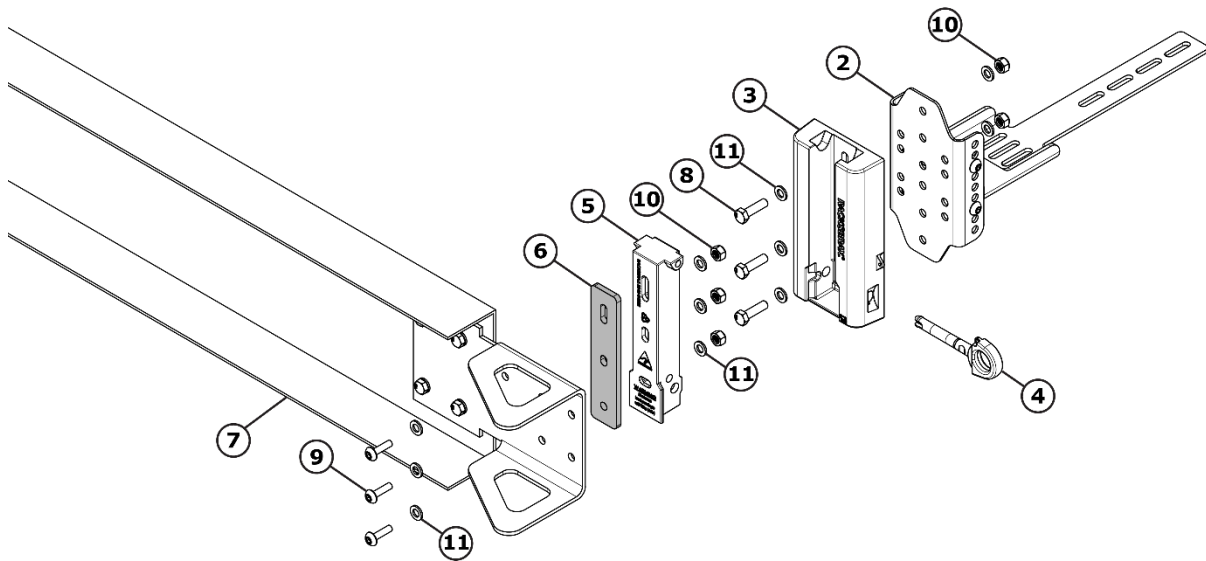
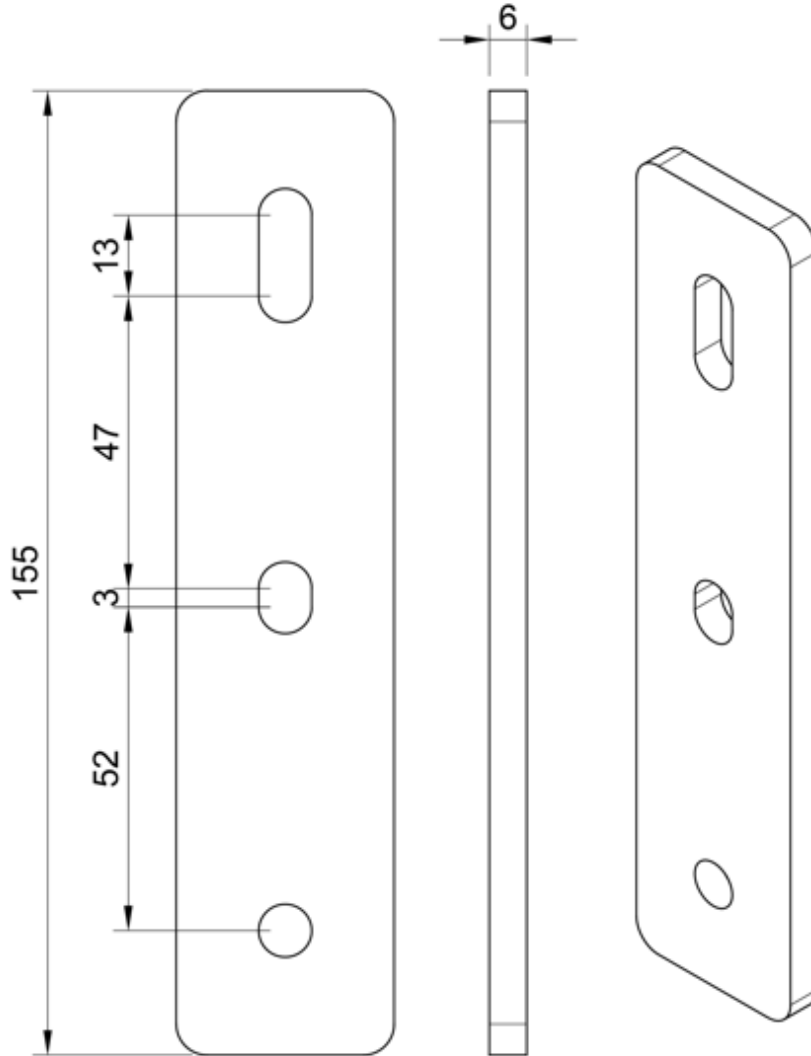


Figure 4 XD Hitch with XD Awning Connector using RacksBrax XD Adjustable Brackets - exploded view (refer to Table 1 for key)



RACKSBRAX.

Figure 5 XD Awning Connector (single bar) dimensions



SECTION 2

HOW MANY XD HITCHES/XD AWNING CONNECTORS FOR MY AWNING?

Racksbrax XD Hitches and the XD Awning Connectors are sold as separate products, each in double or triple packs.

1. Firstly, the number of XD Hitches/XD Awning Connectors **must not be less** than the number of brackets (support points) recommended by the awning manufacturer. It may exceed the manufacturer's recommendation.
2. Secondly, for a given wing awning type, Table 2 below outlines the minimum number of XD Hitches/XD Awning Connectors needed, which **may** exceed quantities in 1 above. Ensure you satisfy the requirement of each column for your given awning whilst ensuring you also comply with 1 above.

Table 2 How many Hitches do I need for my awning?

WING AWNINGTYPE	ROOF AREA m ² (ft ²)	MAXIMUM awning weight kg (lbs)*	MINIMUM # of XD Hitches/XD Awning Connectors (and thus brackets)
270°	≤11.5m ² (124 ft ²)	40kg (88lb)	2 (Double)
270°	>11.5m ² (124 ft ²)	60kg (132lb)	3 (Triple)

* **Loads must not exceed the rated load capacity of the XD Hitch/ XD Awning Connector, the bracket, the roof rack nor the vehicle manufacturers specifications.**

SECTION 3

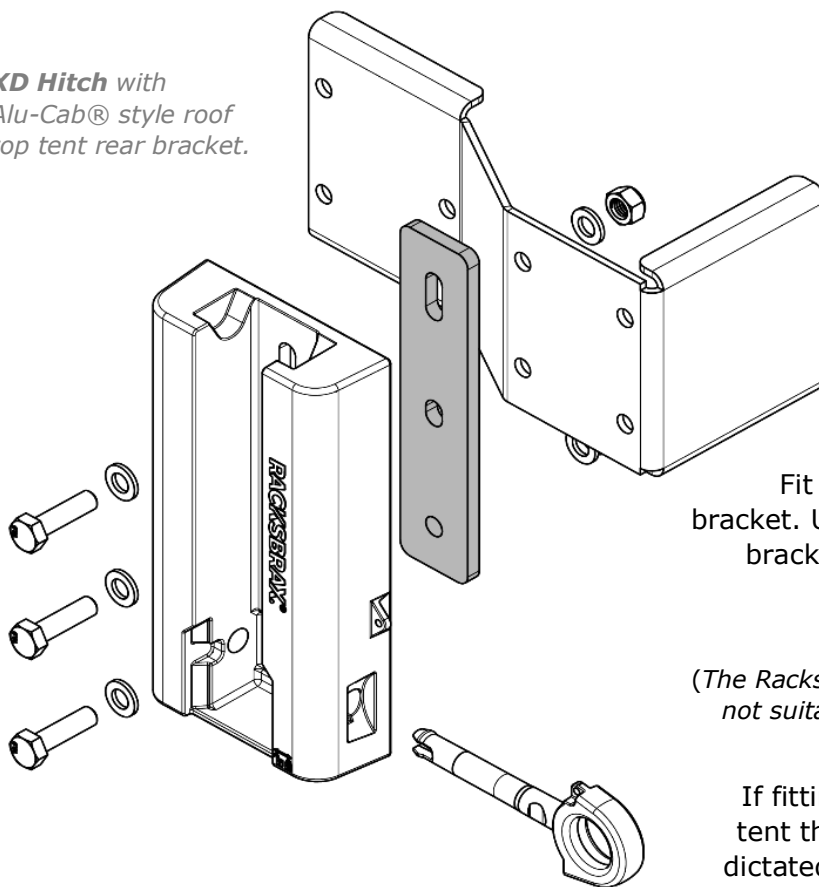
USING ALU-CAB® OR QUICK PITCH® STYLE BRACKETS

Use of Alu-Cab® and Quick Pitch® style brackets to fasten XD Hitches and Awnings

As outlined in "Why an XD Awning Connector?", in Section 1 above, the drawings immediately below show the use of Alu-Cab® and Quick Pitch® style of brackets where centre to centre vertical spacing of bolt holes is 50mm. This matches the spacing in the Alu-Cab® and Quick Pitch® awning spine support holes and the associated awning hinge/pivot.

When using brackets (Alu-Cab® or Quick Pitch® style) a Connector bar will need to fit to BOTH the back (of the Body) and front (of the Holder) on each XD Hitch.

XD Hitch with Alu-Cab® style roof top tent rear bracket.

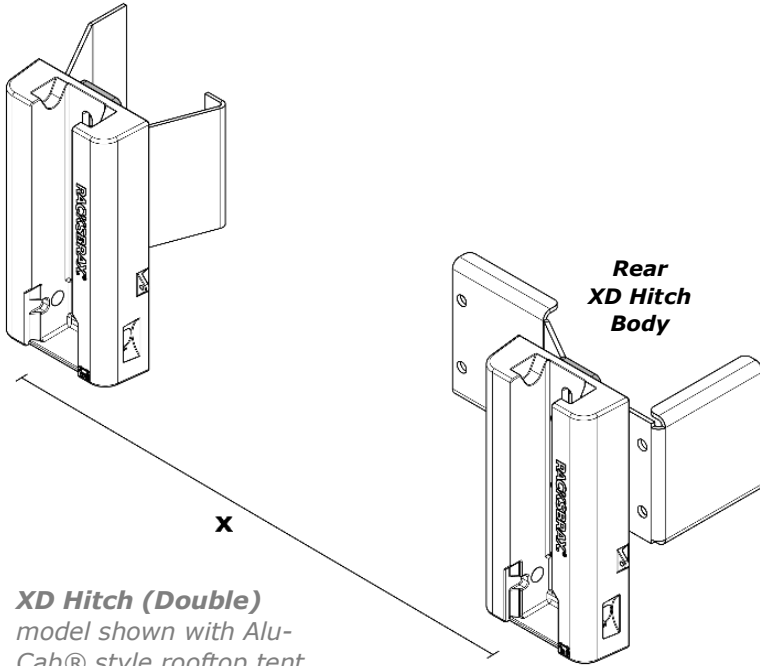


Fit each XD Hitch Body to the bracket. Use awning manufacturers' brackets or purchase RacksBrax height adjustable brackets separately.

(The RacksBrax Adjustable Brackets are not suitable for the Alu-Cab® rooftop tent)

If fitting to an Alu-Cab® rooftop tent the bracket positions will be dictated by the Alu-Cab® bracket positions on the rooftop tent.

2



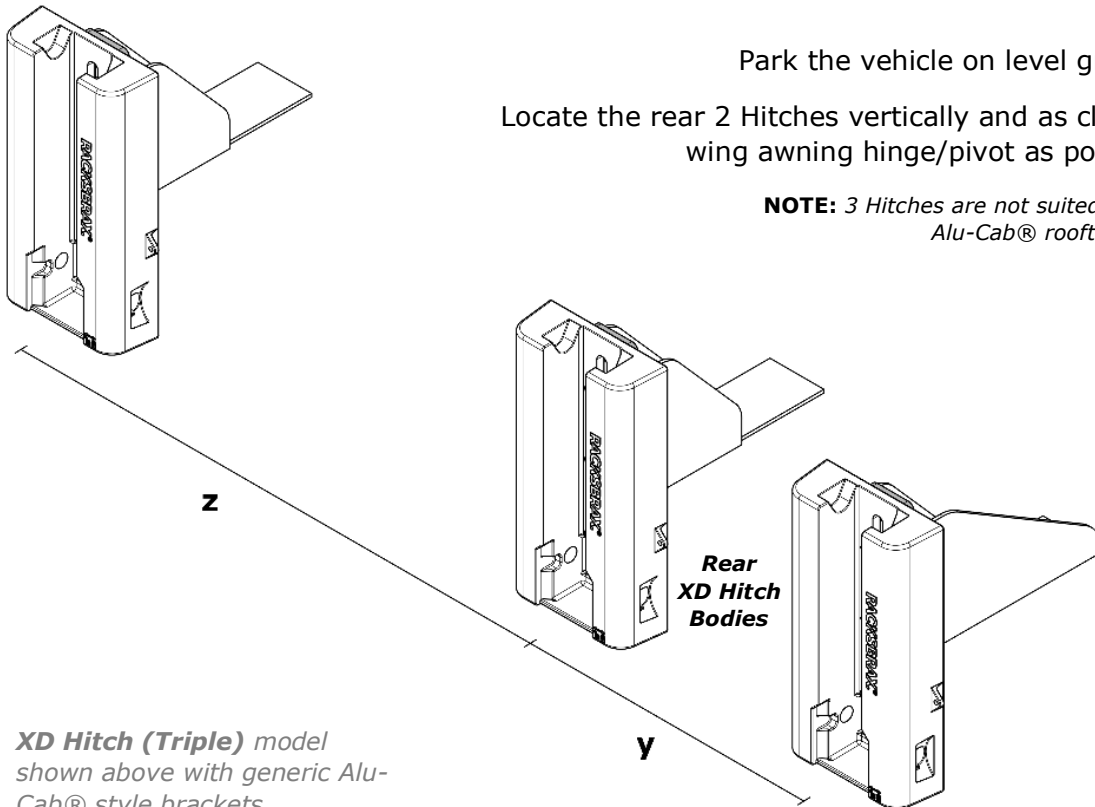
XD Hitch (Double)
model shown with Alu-Cab® style rooftop tent brackets.

Park the vehicle on level ground.

Locate rear Hitch vertically and as close to awning hinge/pivot point as possible.

If fitting to an Alu-Cab® rooftop tent (as shown here) this dimension will be dictated by the Alu-Cab® bracket positions on the rooftop tent.

3



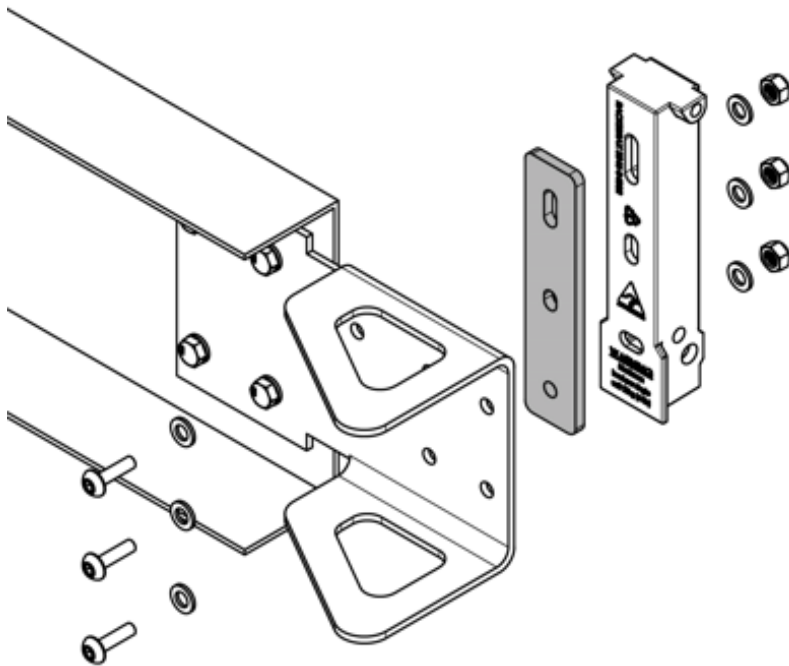
XD Hitch (Triple) model shown above with generic Alu-Cab® style brackets.

Park the vehicle on level ground.

Locate the rear 2 Hitches vertically and as close to wing awning hinge/pivot as possible.

NOTE: 3 Hitches are not suited for the Alu-Cab® rooftop tent.

4

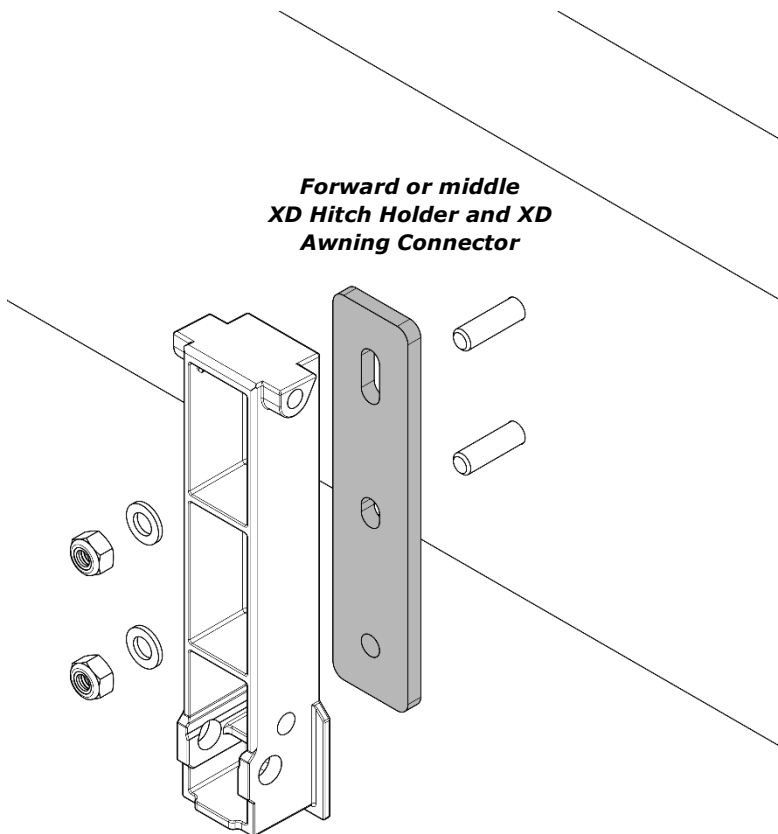


Rear at hinge/pivot XD Hitch Holder and XD Awning Connector

For the rear Holders (hinge/pivot) fit the XD Awning Connector (in grey) between the XD Hitch Holder (3 bolt holes for rear Holder at hinge/pivot) and the awning hinge/pivot using (rounded head) cap screws (9).

NOTE: *only the upper 2 cap screws shown go through the Hinge/Pivot, the Connector and the Holder. The lower cap screw goes through the Connector and Holder only.*

5



Forward or middle XD Hitch Holder and XD Awning Connector

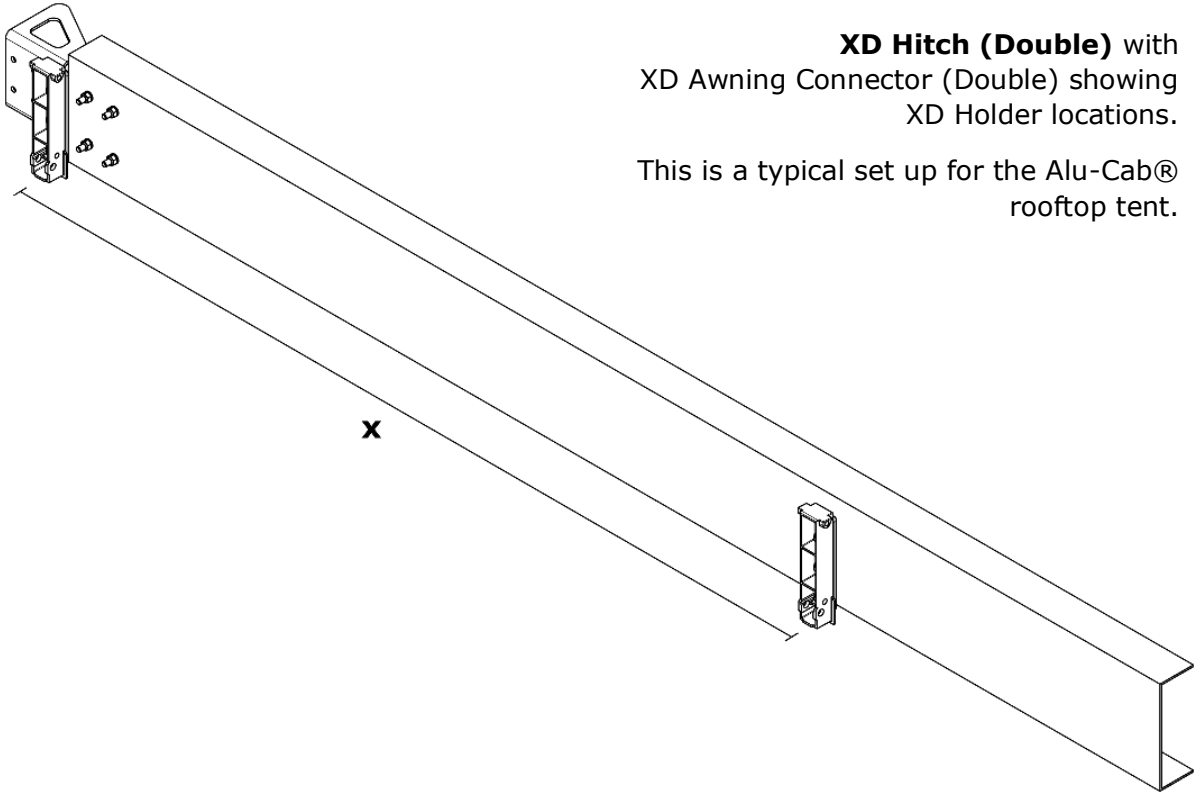
The forward Holders (either 1 or 2) are fitted using only the upper 2 holes in the Awning Connectors and upper 2 holes in the XD Hitch Holder (lower hole on Holder not used).

Holders should be spaced to exactly match XD Hitch Body centres, **x** or **y** and **z** as indicated in Steps 2 or 3 above.

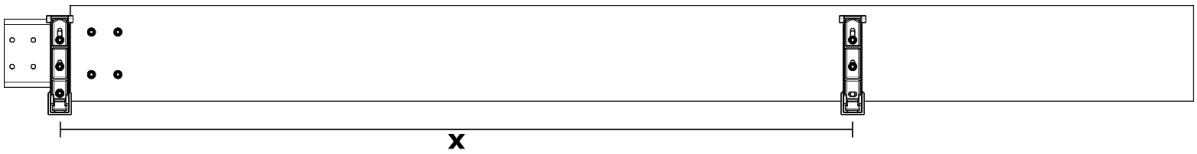
6

XD Hitch (Double) with
XD Awning Connector (Double) showing
XD Holder locations.

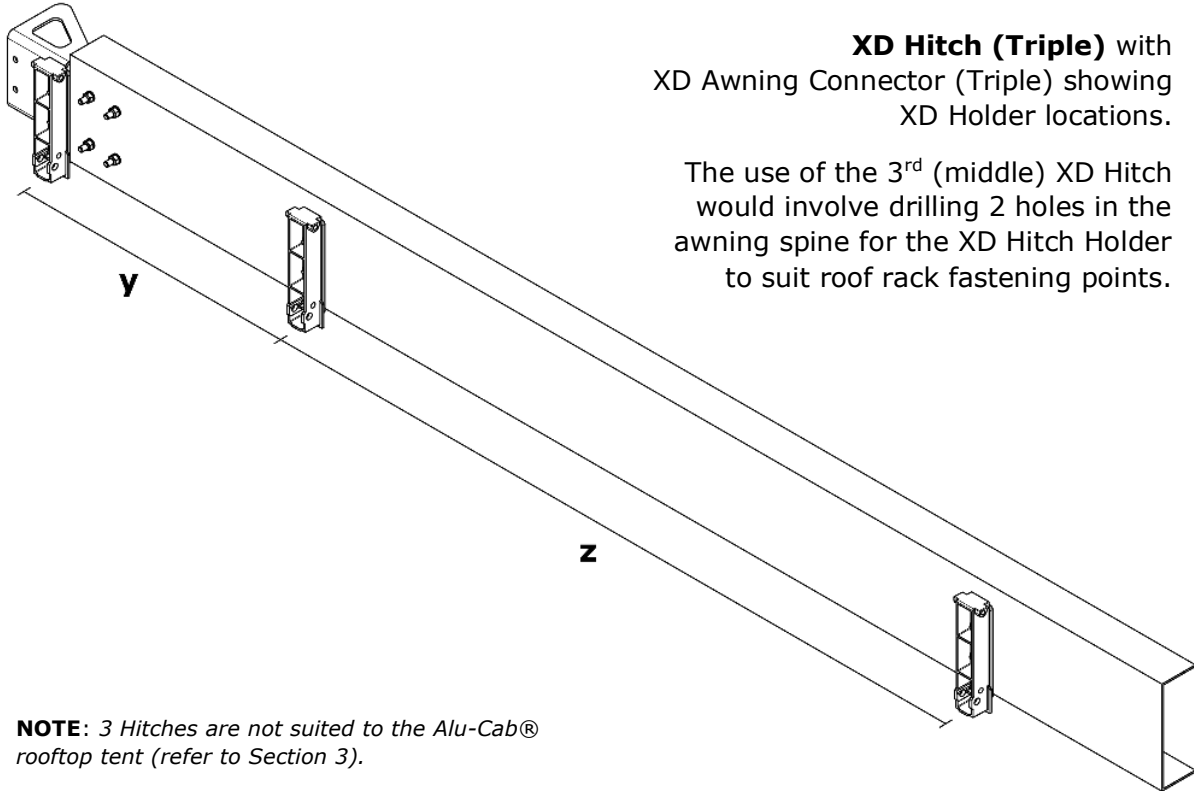
This is a typical set up for the Alu-Cab®
rooftop tent.



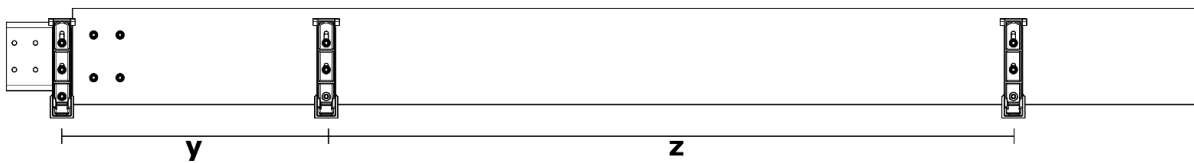
Horizontal reverse view of spine with XD Holders



7

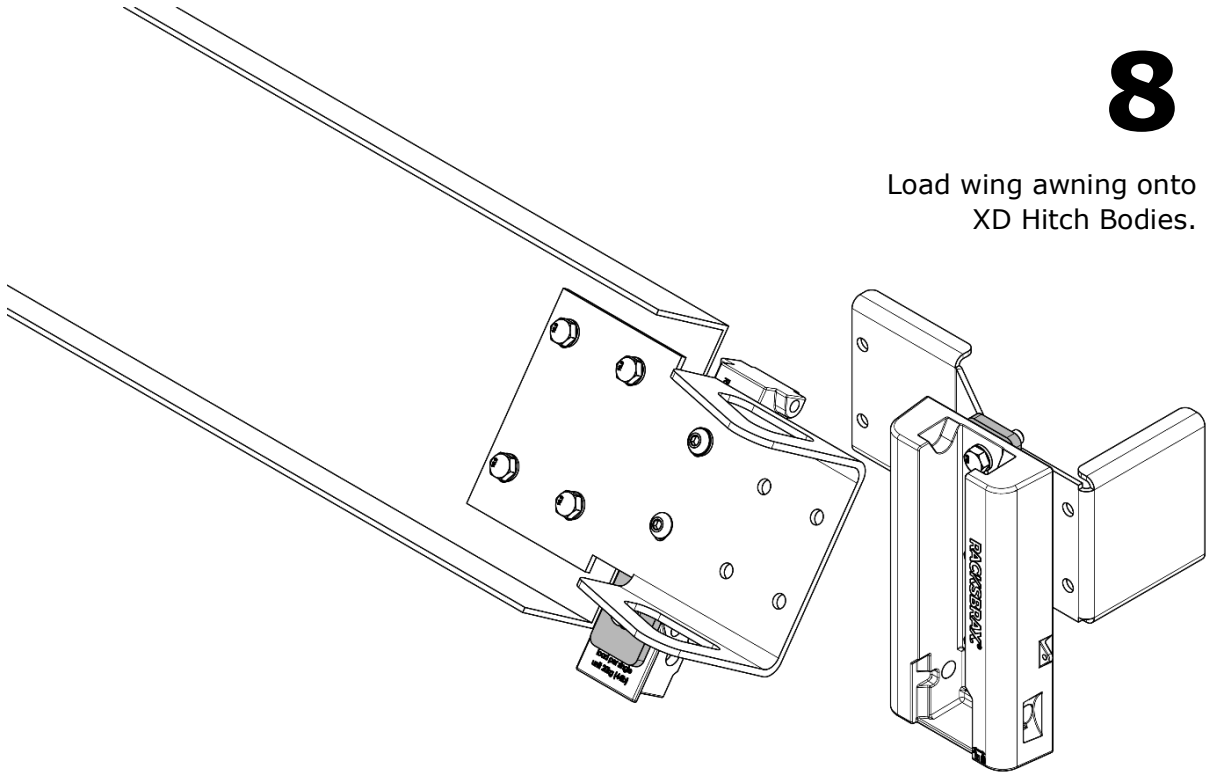


Horizontal reverse view of spine with XD Holders



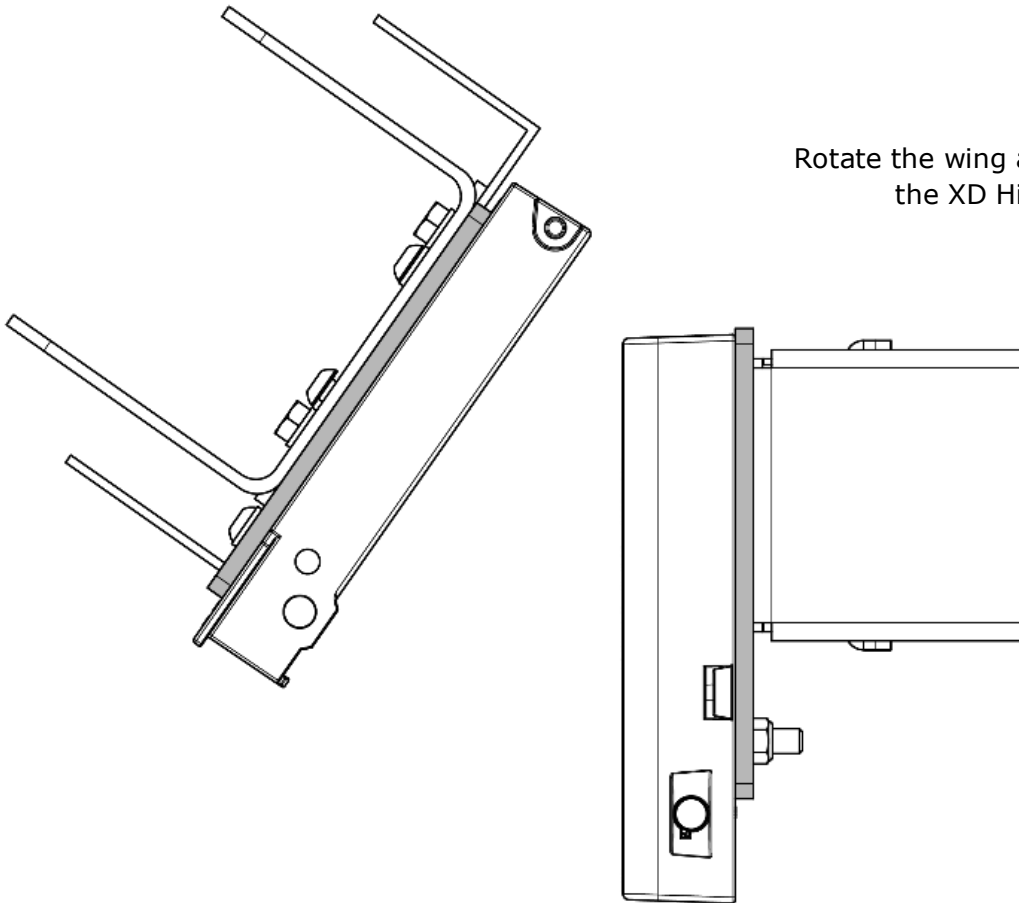
8

Load wing awning onto
XD Hitch Bodies.



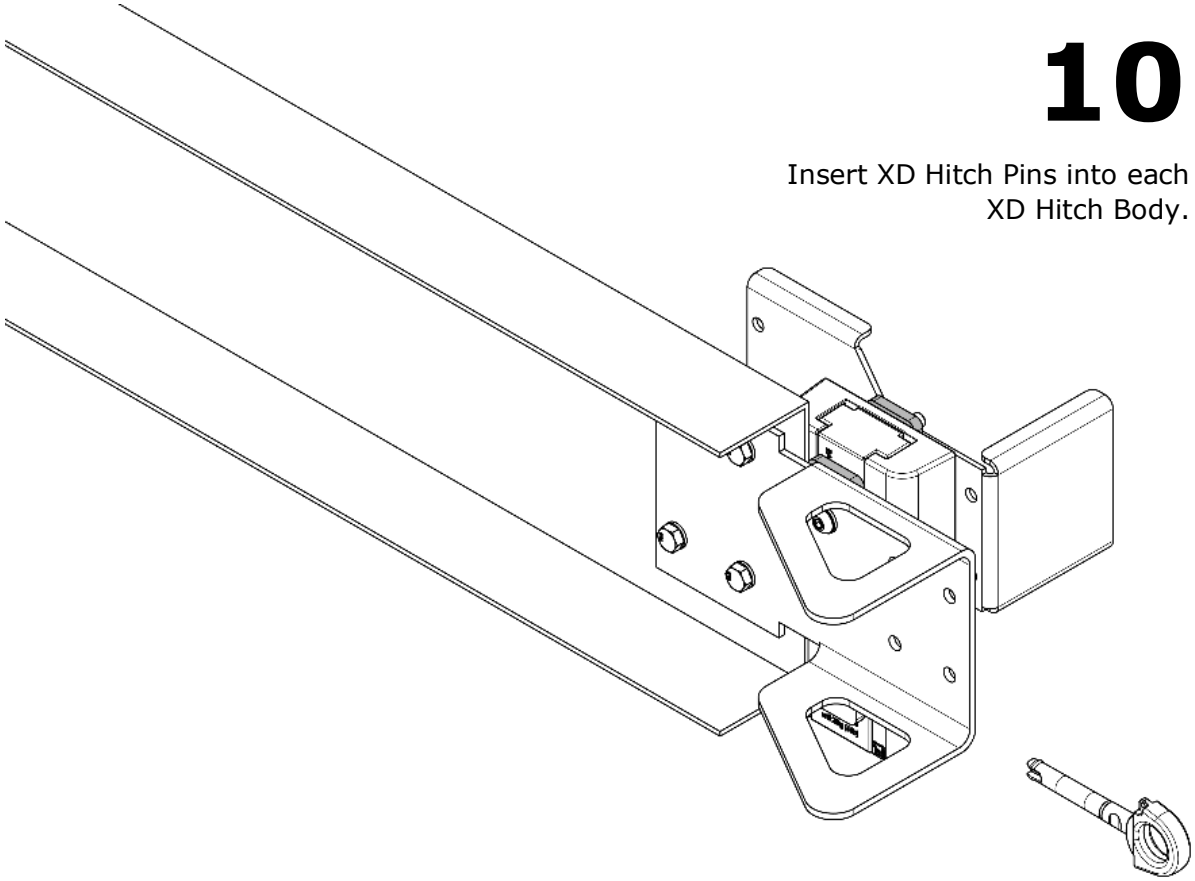
9

Rotate the wing awning into
the XD Hitch Bodies.



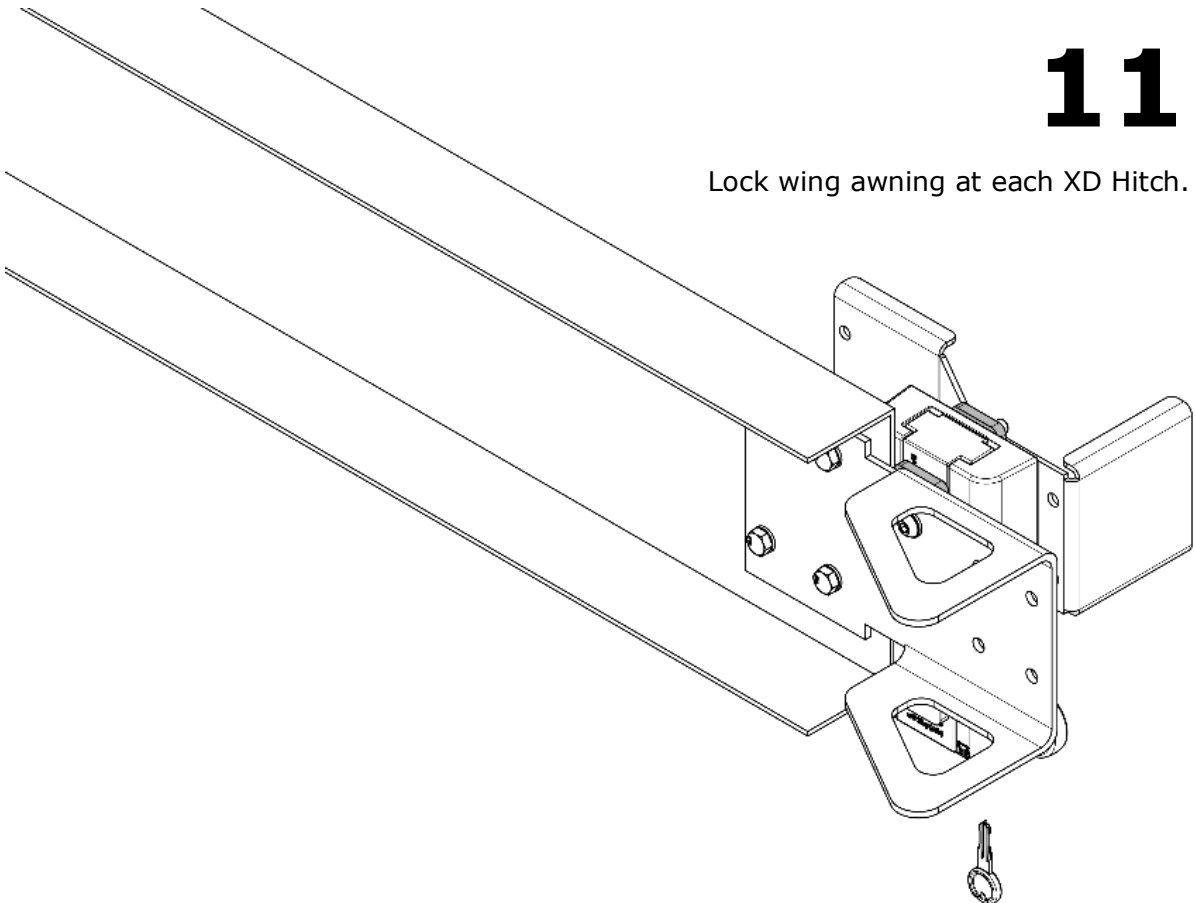
10

Insert XD Hitch Pins into each XD Hitch Body.



11

Lock wing awning at each XD Hitch.

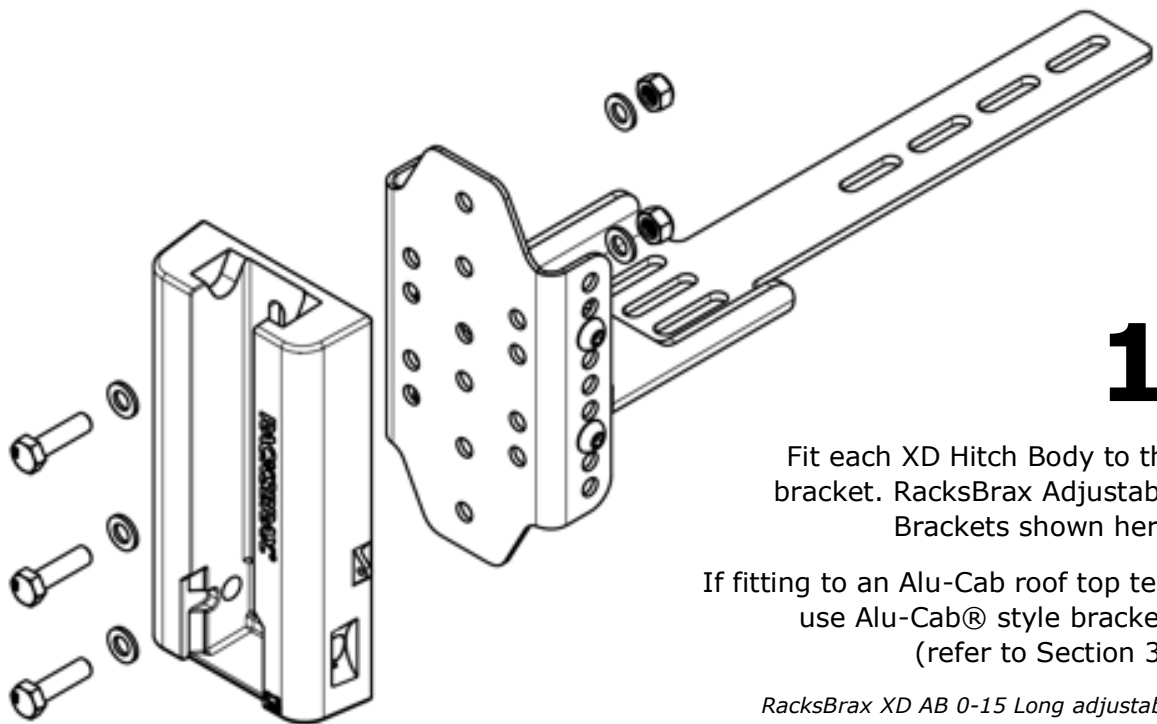


SECTION 4

USING THE RACKSBRAX ADJUSTABLE BRACKETS

As outlined in "Why an XD Awning Connector?", in Section 1, above, the drawings below show the use of RacksBrax Adjustable Brackets with the XD Awning Connectors and the XD Hitch.

NOTE: the XD Awning Connectors will ONLY need to fit to the front of each XD Holder on each XD Hitch if using RacksBrax Adjustable Brackets.



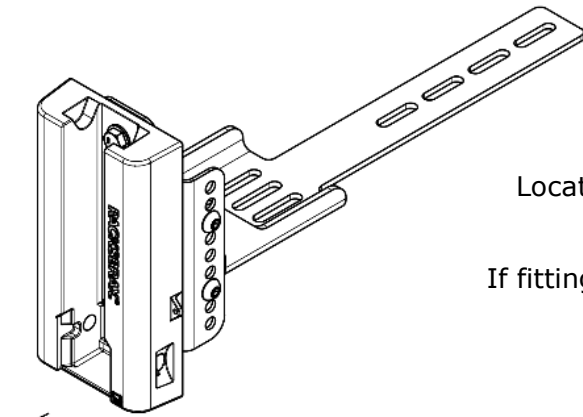
1

Fit each XD Hitch Body to the bracket. RacksBrax Adjustable Brackets shown here.

If fitting to an Alu-Cab roof top tent use Alu-Cab® style brackets (refer to Section 3).

RacksBrax XD AB 0-15 Long adjustable bracket is shown throughout Section 4 and is sold separately.

2

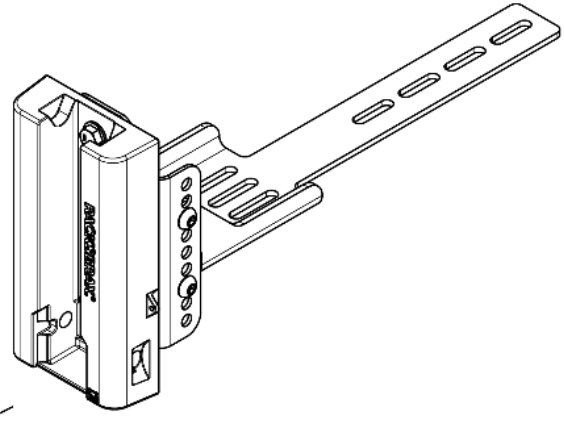


Park the vehicle on level ground.

Locate rear Hitch vertically and as close to awning hinge/pivot point as possible.

If fitting to an Alu-Cab® rooftop tent, use Alu-Cab® style brackets (refer to Section 3).

**Rear
XD Hitch Body**



XD Hitch (Double) model
shown above.

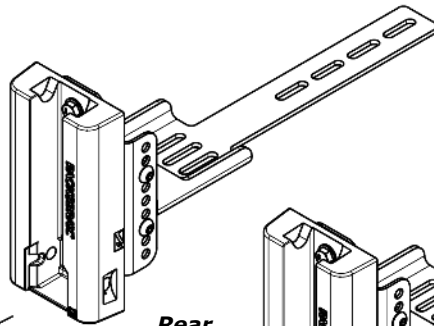
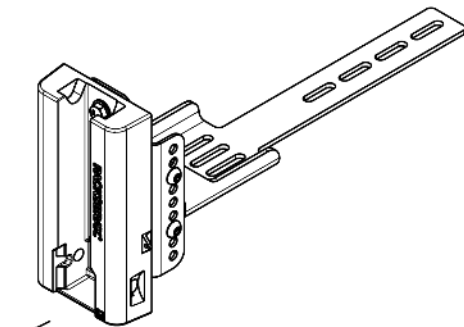
3

Park the vehicle on level ground.

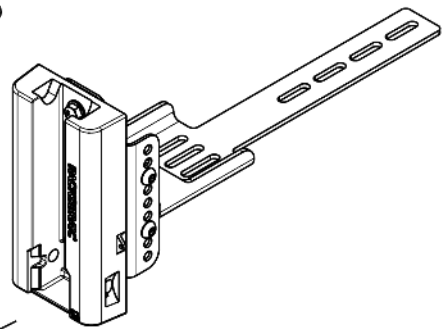
Locate the rear 2 Hitches vertically and as close to wing awning hinge/pivot as possible.

The use of the 3rd (middle) XD Hitch would involve drilling 2 holes in the awning spine for the XD Hitch Holder to suit 3 roof rack brackets (load points).

Locate the 3rd, forward Hitch vertically.



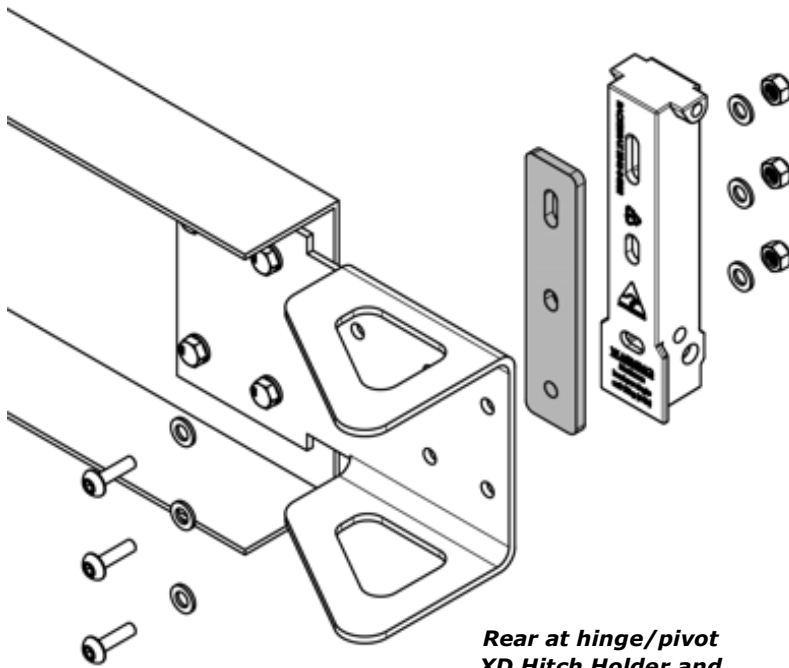
**Rear
XD Hitch
Bodies**



XD Hitch (Triple) model
shown above.

NOTE: 3 Hitches are not suited to the Alu-Cab® rooftop tent (refer to Section 3).

4



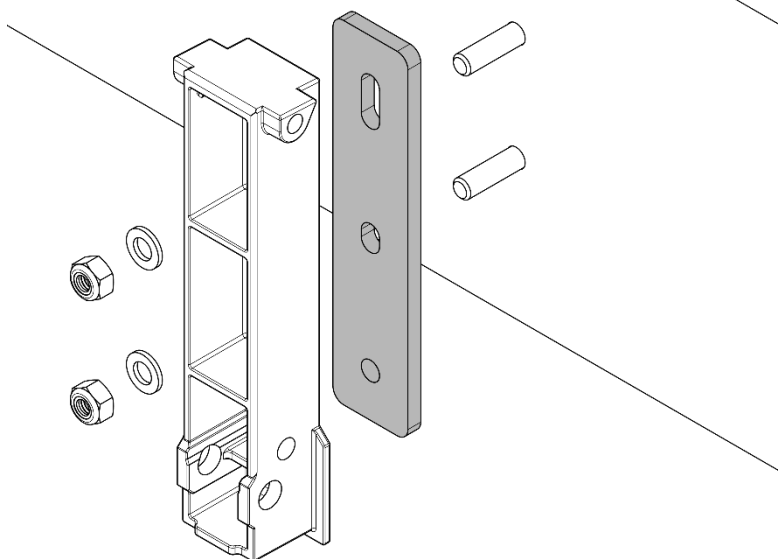
**Rear at hinge/pivot
XD Hitch Holder and
XD Awning Connector**

For the rear most Holder (hinge/pivot) fit the XD Awning Connector between the XD Hitch Holder (3 bolt holes for rear Holder at hinge/pivot) and the awning hinge/pivot using (rounded head) cap screws (9).

NOTE: *only the upper 2 cap screws shown go through the hinge/pivot, the Adaptor and the Holder. The lower cap screw goes through the Adaptor and Holder only.*

5

**Forward or middle
XD Hitch Holder and XD
Awning Connector**

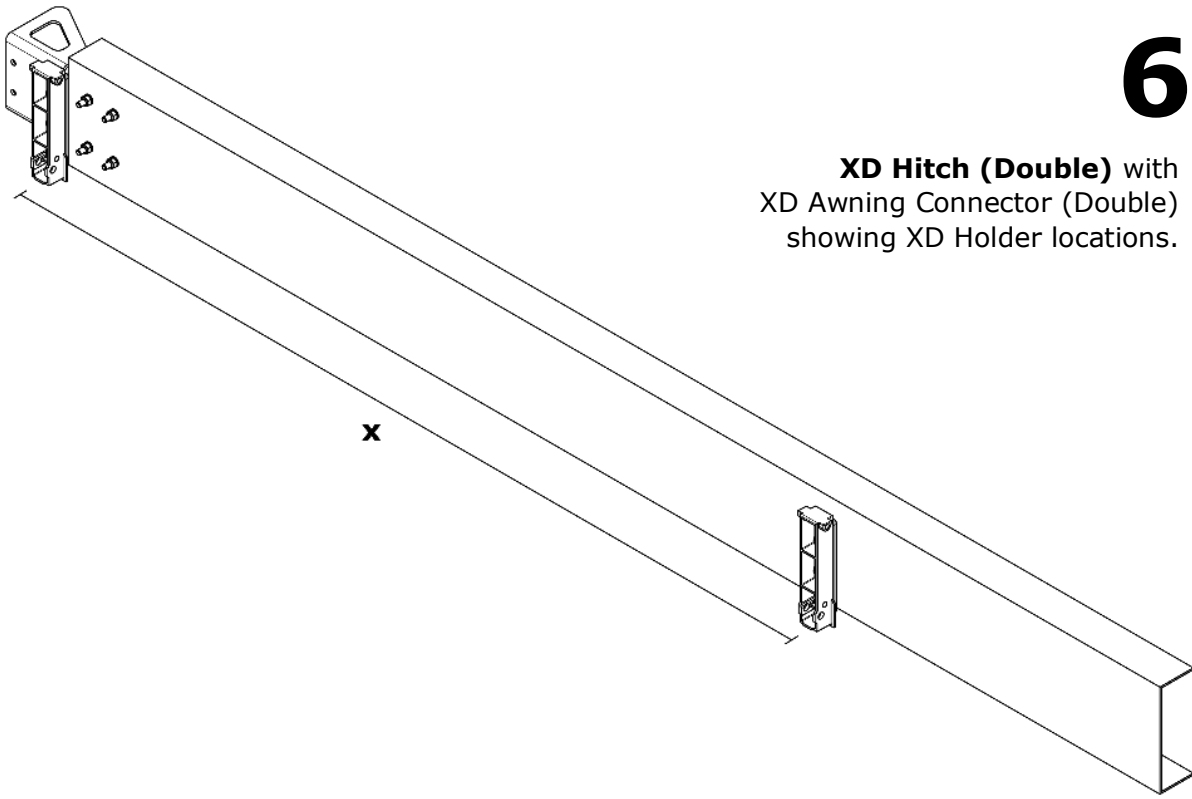


The forward Holders (either 1 or 2) are fitted using only the upper 2 holes in the Awning Connectors and upper 2 holes in the XD Hitch Holder (lower hole on Holder not used).

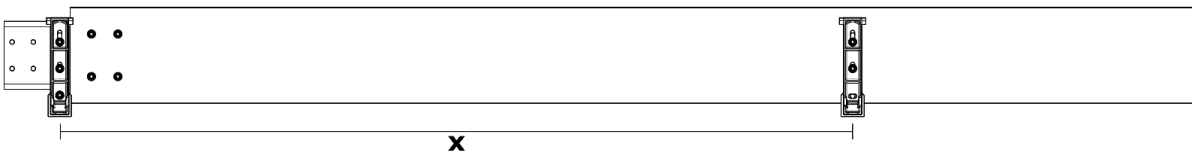
Holders should be spaced to exactly match XD Hitch Body centres, x or y and z as indicated in 2 or 3 above.

6

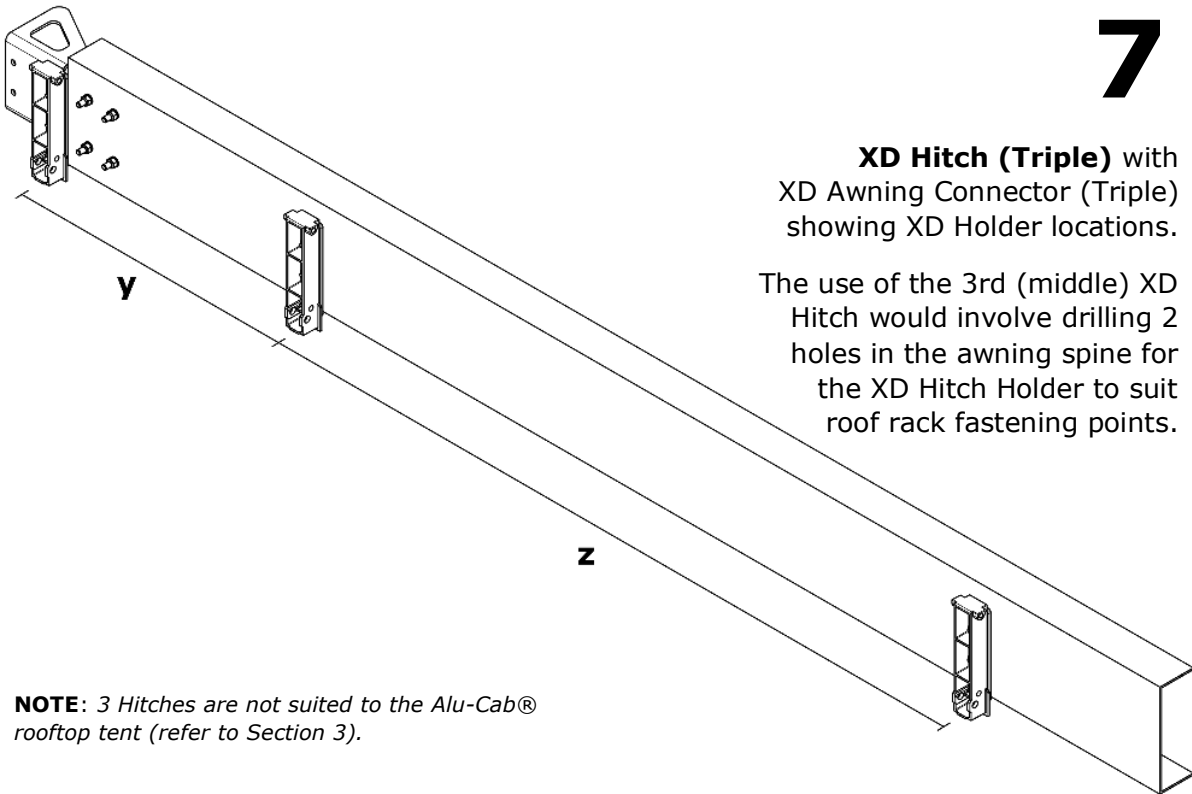
XD Hitch (Double) with
XD Awning Connector (Double)
showing XD Holder locations.



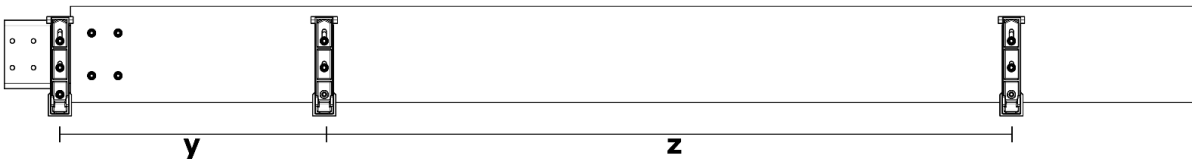
Horizontal reverse view of spine with XD Holders



7



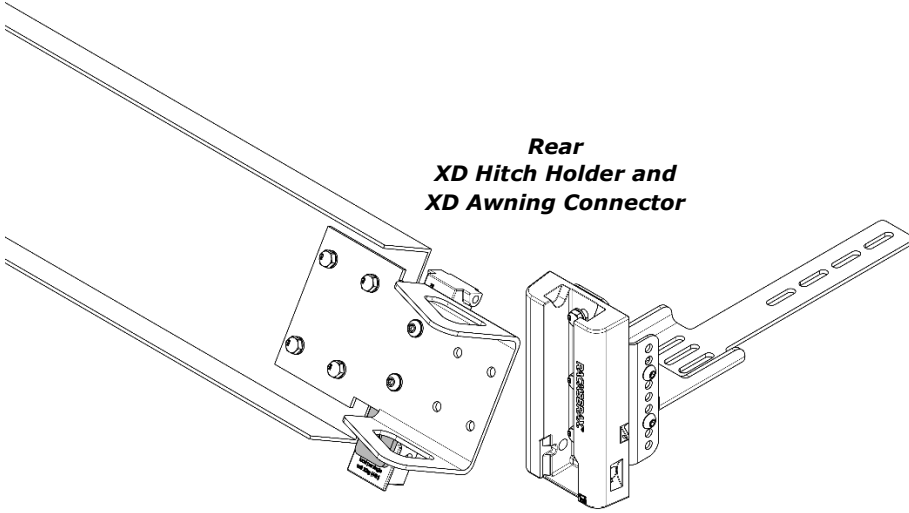
Horizontal reverse view of spine with XD Holders



8

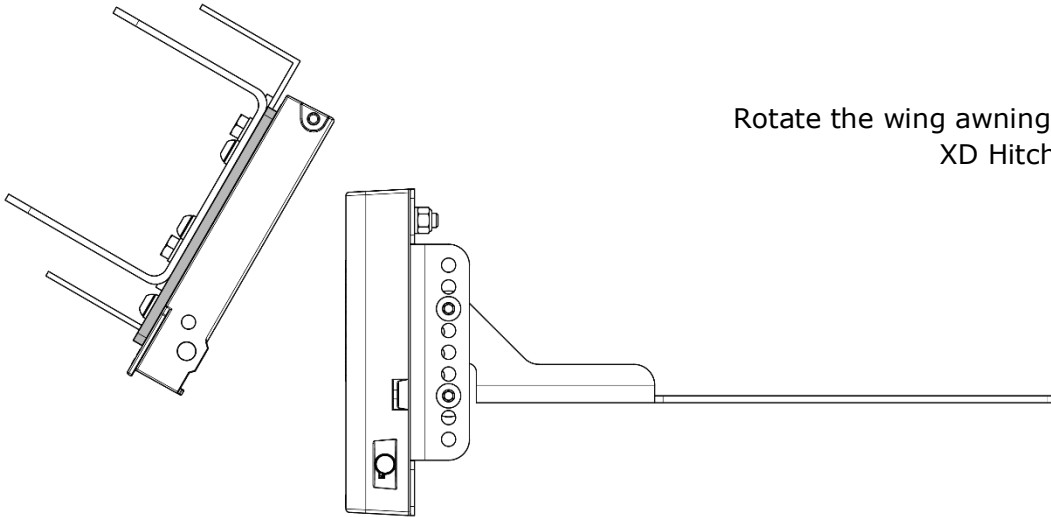
**Rear
XD Hitch Holder and
XD Awning Connector**

Load wing awning
onto XD Hitch
Bodies.



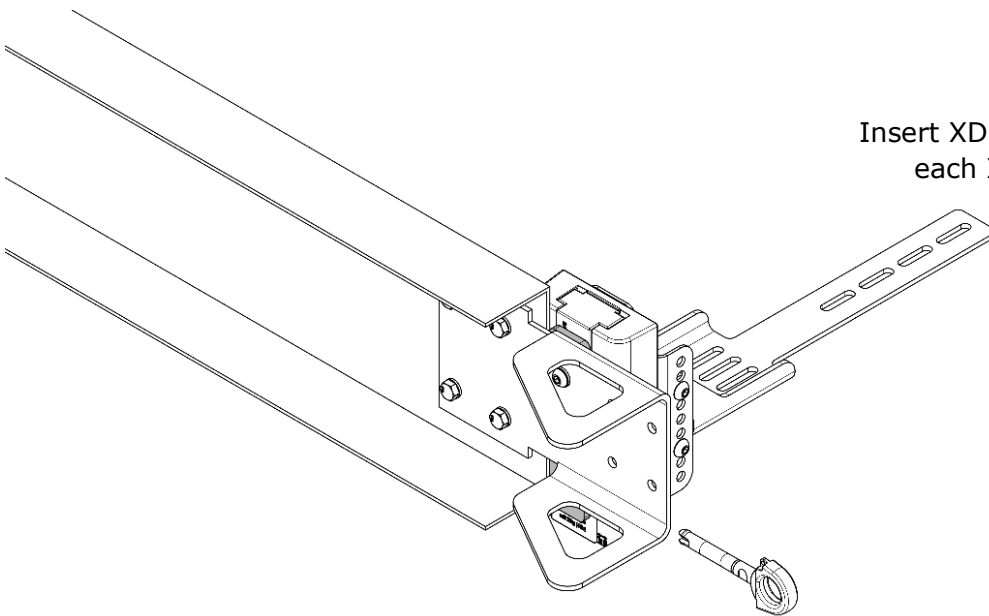
9

Rotate the wing awning into the
XD Hitch Bodies.

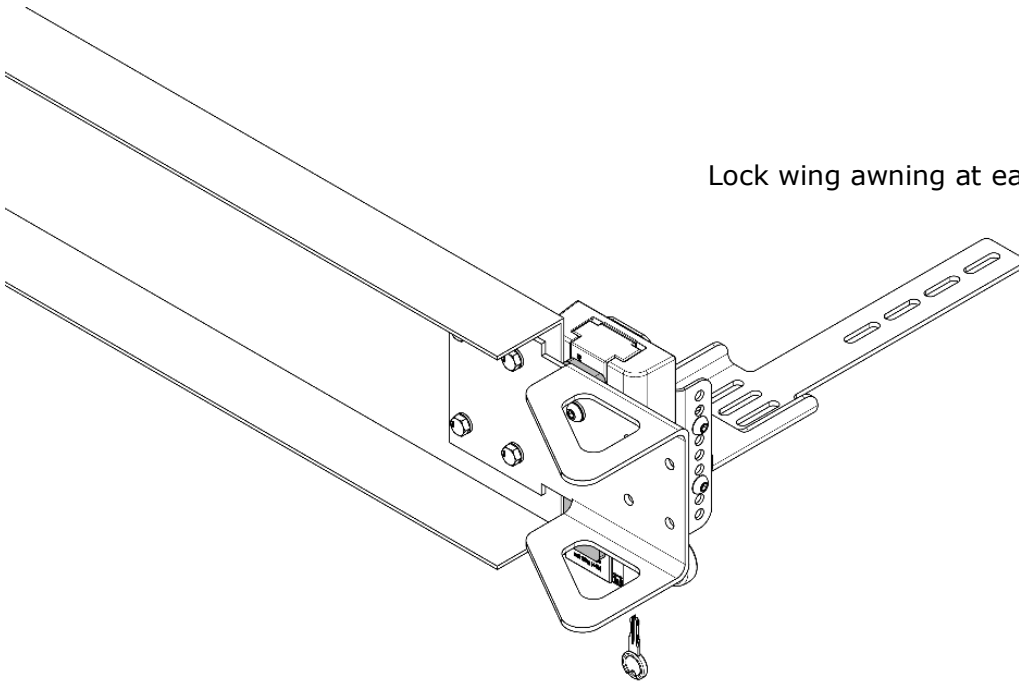


10

Insert XD Hitch Pins into
each XD Hitch Body.



Lock wing awning at each XD Hitch.



Wing Awnings: Wind, Rain and Snow

The XD Hitch/XD Awning Connector mounting system is designed with a high load capacity relative to the weight of even the heaviest awnings. However, in the deployed state, loads from high winds, pooled rainwater, and accumulated snow can exceed the XD Hitch/XD Awning Connector load capacity.

Always follow the awning manufacturer's recommendation with respect to awning use under conditions of wind, rain and snow. In addition, it is recommended that in windy conditions poles and guy ropes are always installed, and that during rain and snow events, that steps are taken to prevent excessive loading on the awning. For example, do not leave un-guyed awnings unattended if weather conditions may deteriorate.

Due to the high number of variables associated with wind direction, awning size and arrangement, local terrain, and other factors, it is not possible to provide meaningful wind speed recommendations.

The 3 enemies of "freestanding" wing awnings are: wind, rain and snow.

WIND: The wind loads on the awning mounting system relate to wind direction, wind strength, local terrain and awning area. In gusty conditions in particular, the loads on the awning are unpredictable, and may vary from upwards to downwards in a short space of time. It is recommended that in all but calm conditions, regardless of the awning manufacturer's instructions, that awnings should be restrained with poles and guy ropes to prevent damage to the mounting system.

RAIN: Most wing awnings come with a means to deflect runoff water from rain to avoid stretching the awning material (and causing other damage) when water collects in pools. Typically, this is accomplished with guy ropes set midway between the rafters and with poles at the rafters. To prevent potential overloading of the mounting system during heavy rain, drainage measures are recommended.

SNOW: The awning mounting system may be overloaded under snow loads. In snow conditions where heavy snow loads may develop, snow needs to be periodically cleared or the awning needs to be stowed.

Failure to adhere to any of these recommendations may void the RacksBrax Warranty.

RACKSBRAX.

NOTES:

**FAST ON!
FAST OFF!**



To learn more, scan the QR code or
visit ***racksbrax.com***