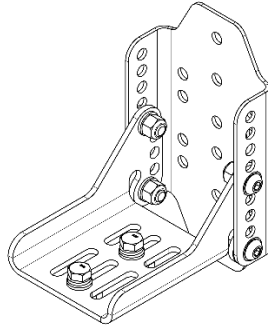
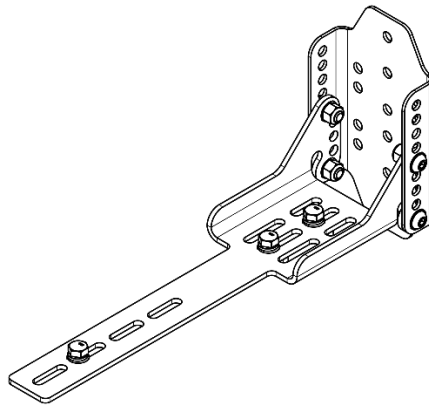


RACKS BRAX.®



XD AB-015 SHORT



XD AB-015 LONG

XD ADJUSTABLE BRACKETS

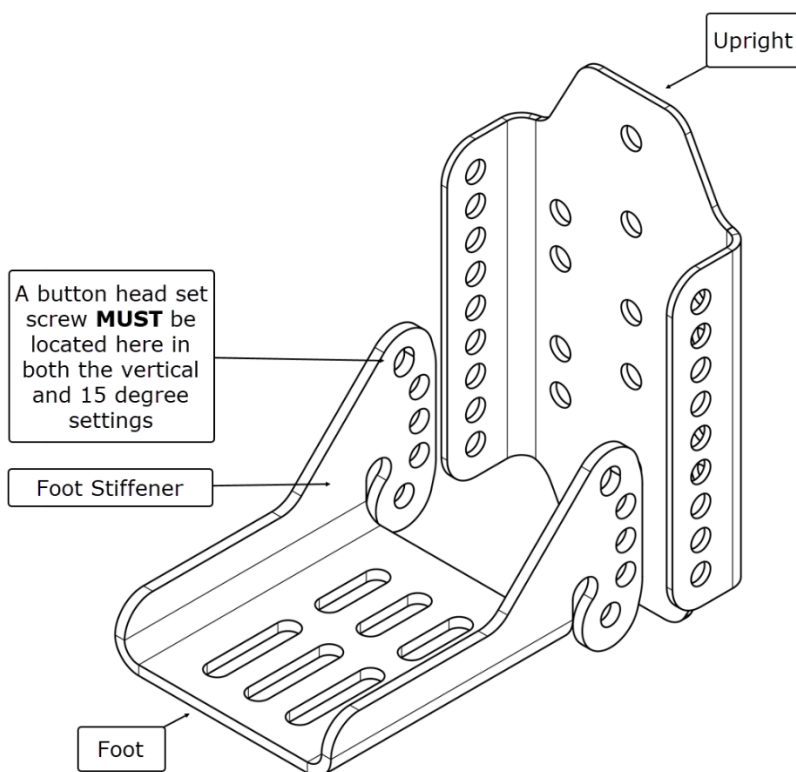
Assembly and Mounting Instructions

XD AB 0-15 SHORT (Double)	(9100)
XD AB 0-15 SHORT (Triple)	(9101)
XD AB 0-15 LONG (Double)	(9102)
XD AB 0-15 LONG (Triple)	(9103)

Congratulations on purchasing the RacksBrax XD Adjustable Bracket. This bracket is designed to be used with a **RacksBrax XD Hitch** and is height adjustable across a 50mm (2") range.

Introduction

The RacksBrax Adjustable Brackets for the XD Hitch are supplied in LONG or SHORT foot versions, designed for a load of 20kg (44lbs) per bracket, subject to permitted roof rack loads. The SHORT foot version typically suits roof rack bars and the LONG foot version typically suits platform style roof racks without a perimeter lip. LONG foot versions must be used for platform racks where slats run north south (direction of vehicle length) enabling loads to be spread across more than one slat.



Short foot version shown above

In all settings the button set screw **MUST** pass through the elongated slot on the foot stiffener as shown above.

This Adjustable Bracket is specifically designed for the upright to fit the RacksBrax XD Hitch Body although may be used without an XD Hitch to fit accessories where mount points are at 50mm (2") or 120mm (4 ¾") centres.

The upright portion of this bracket set can be adjusted up and down in the vertical position by 50mm (2") in increments of 12.5mm (1/2").

The bracket may be set with foot stiffeners facing up or down AND may be situated on top of, or under, most roof bars resulting in a wide range of height settings. NB: The foot stiffeners face up on platform style racks.

RacksBrax XD AB 0-15 series brackets are available in both double and triple bracket configurations and are supplied with stainless steel fasteners to fit most roof rack bars and most roof rack platforms without a perimeter lip.

Note that the XD Adjustable Brackets are capable of being set at an angle of 15° off vertical but only because they have the same foot as the HD Adjustable Bracket. There is no reason to set these brackets at the angle as typically angled brackets are required for the smaller HD Hitch and corresponding HD Adjustable Brackets for carrying recovery boards. For this reason, these instructions do not address a 15° off vertical position.

RACKSBRAX.

XD AB 0-15 Short Parts List

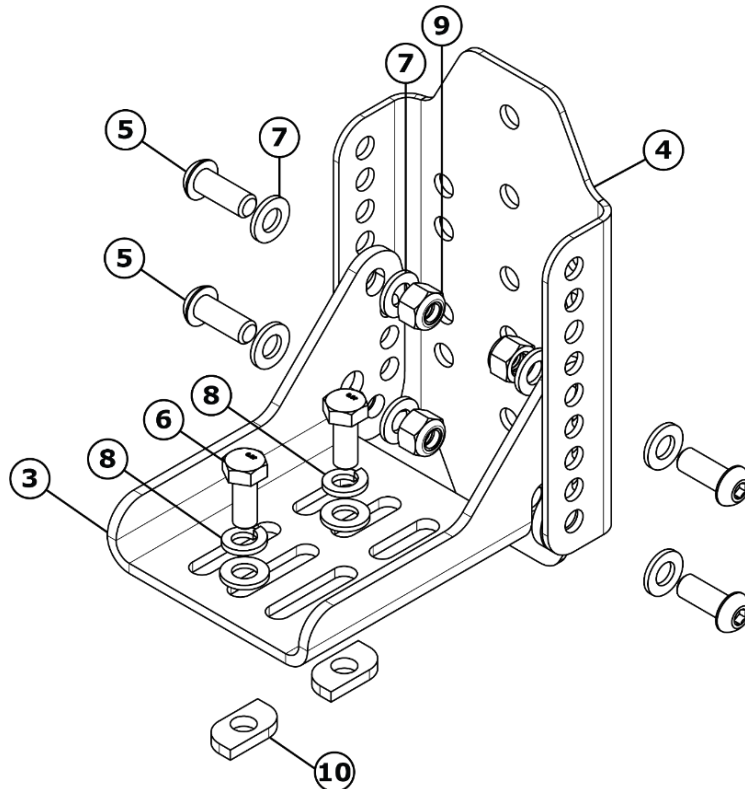
ITEM	PART	Quantity	
		XD AB 0-15 Short (DOUBLE) 9100	XD AB 0-15 Short (TRIPLE) 9101
1	RB-INS-012 - XD Adjustable Bracket Instructions	1	1
2	RB-POL-004 - Warranty and Safety Warnings	1	1
3	HD/XD Short Foot	2	3
4	XD Upright	2	3
5	M8 Button Head Set Screw (Grade304)	8	12
6	M8 Hex Set Screw x 16 (Grade 304)*	4	6
6	M8 Hex Set Screw x 20 (Grade 304)*	4	6
7	M8 Round Washer (17mm x 1.2mm) (Grade 304)	20	30
8	M8 Spring Washer (Grade 304)	4	6
9	M8 Hex Nut (nylon insert) (Grade 304)	8	12
10	M8 Strut Nuts 34 x 20 x 6mm (Grade 304)**	4	6
10	M8 Square Nuts (not shown) 20 x 20 x 4mm Grade 304)**	4	6

* Use either 16mm M8 set screws OR 20mm M8 set screws (both supplied)

** Use either type (both supplied)

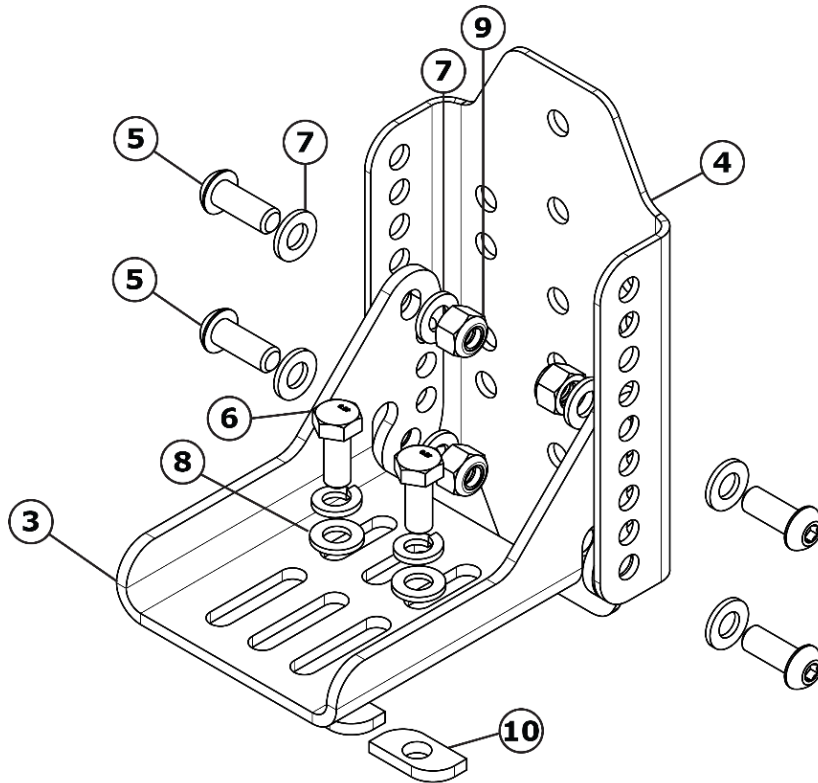
Fasteners supplied fit most roof bar/platform types. Refer to diagrams below for parts key and dimensions.

East-West Fastener Placement and Parts Key

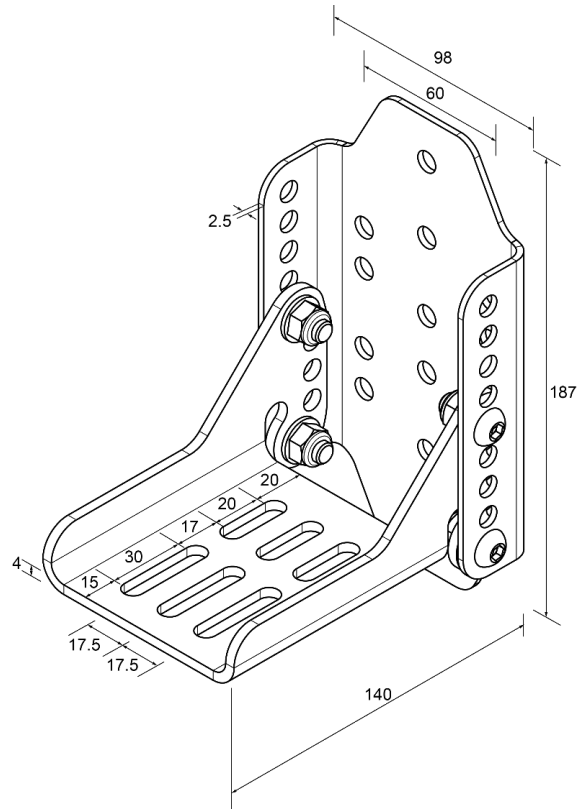


RACKSBRAX.

North-South Fastener Placement and Parts Key

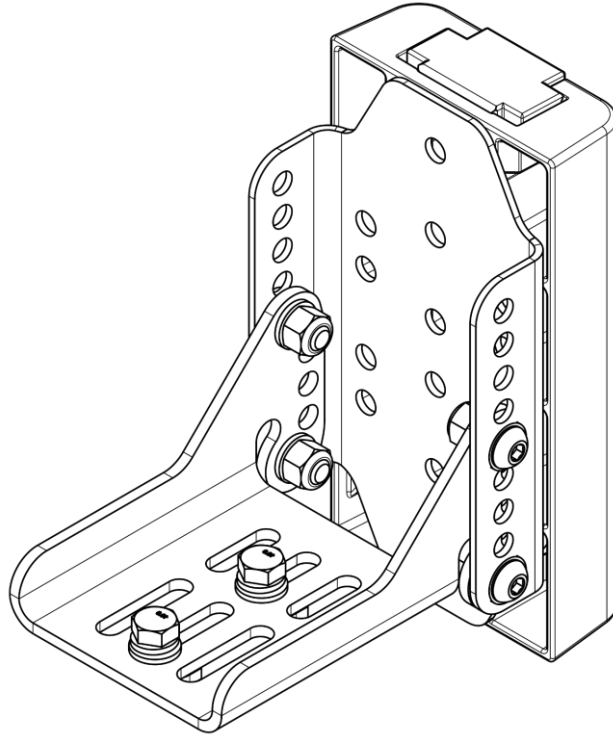


SHORT Foot Critical Dimensions in mm

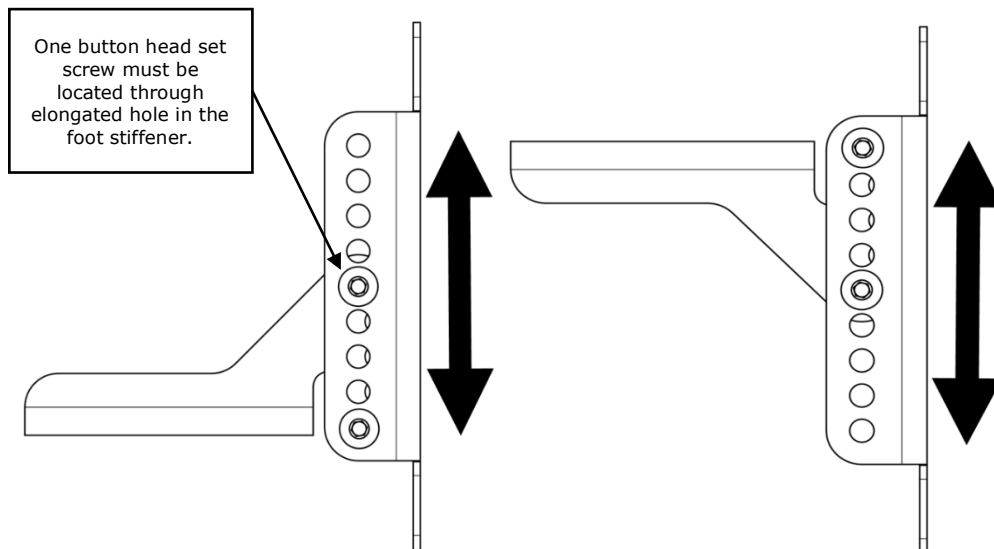


RACKSBRAX.

Adjustable Bracket (SHORT Foot) Fitted with an XD Hitch



Adjustable Bracket (SHORT Foot) Fitted in the Vertical Position

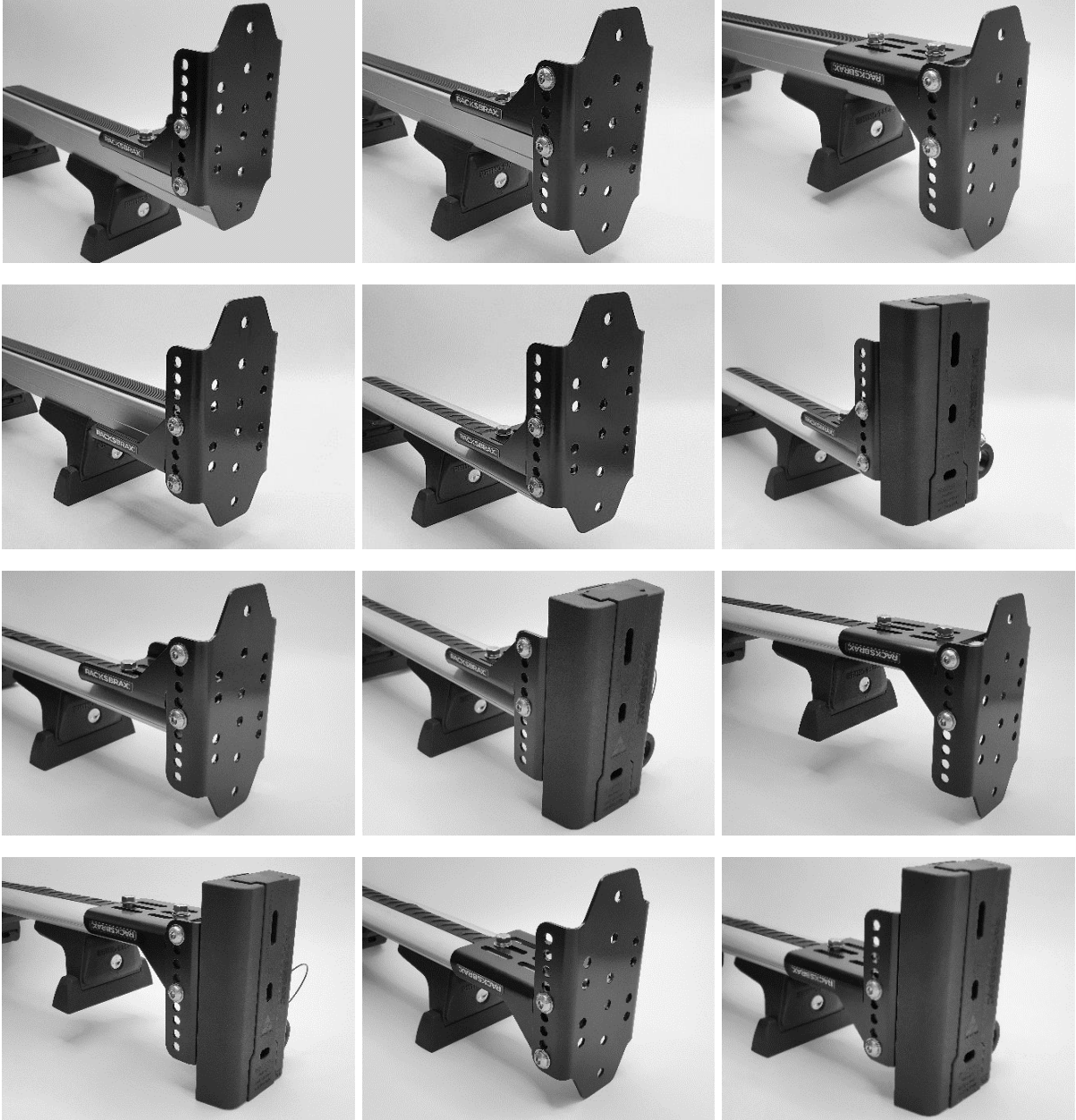


Adjustable brackets can adjust within a 50mm (2") range in the vertical plane with the aim of keeping the top of the bracket as low as possible without allowing the accessory (once fitted) to interfere with door openings. **The upper button screw MUST always pass through the slightly elongated hole on the foot stiffener.**

RACKSBRAX.

Fitted in the Vertical Position:

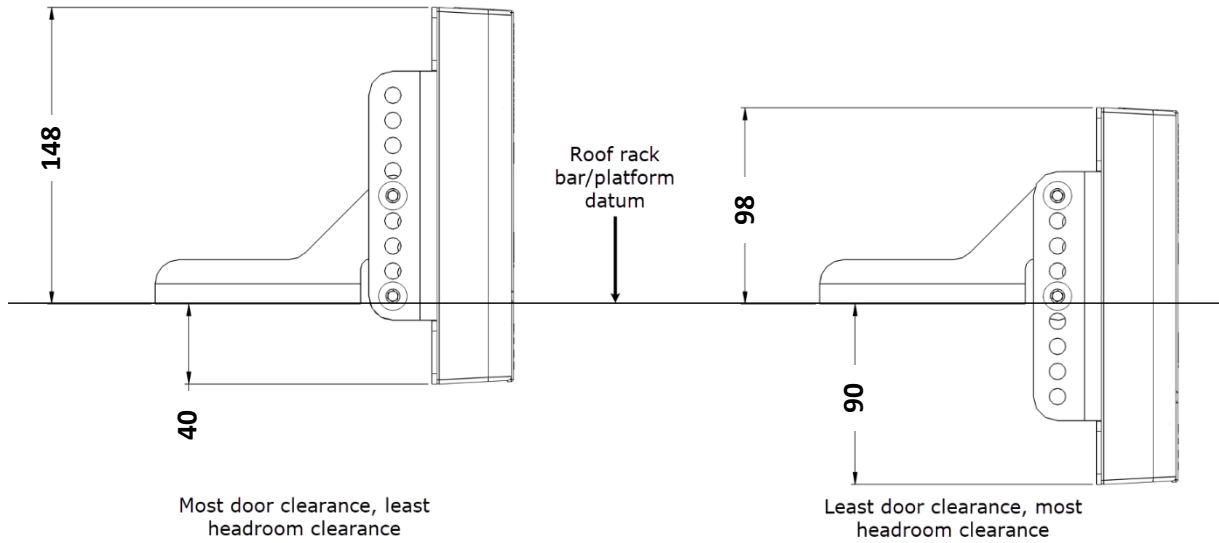
on square- and aero-style roof bars with and without the RacksBrax XD Hitch



RACKSBRAX.

Adjustment Range

Headroom vs Door Clearance - Maximum and Minimum (in mm)



XD AB 0-15 Long Parts List

ITEM	PART	Quantity	
		XD AB 0-15 Long (DOUBLE) 9102	HD AB 0-15 long (TRIPLE) 9103
1	RB-INS-011 - HD Adjustable Bracket Instructions	1	1
2	RB-POL-004 - Warranty and Safety Warnings	1	1
3	HD/XD Long Foot	2	3
4	XD Upright	2	3
5	M8 Button Head Set Screw (Grade304)	8	12
6	M8 Hex Set Screw x 16 (Grade 304)*	6	9
6	M8 Hex Set Screw x 20 (Grade 304)*	6	9
7	M8 Round Washer (17mm x 1.2mm) (Grade 304)	22	33
8	M8 Spring Washer (Grade 304)	6	9
9	M8 Hex Nut (nylon insert) (Grade 304)	8	12
10	M8 Strut Nuts 34 x 20 x 6mm (Grade 304)**	6	9
10	M8 Square Nuts (not shown) 20 x 20 x 4mm (Grade 304)**	6	9

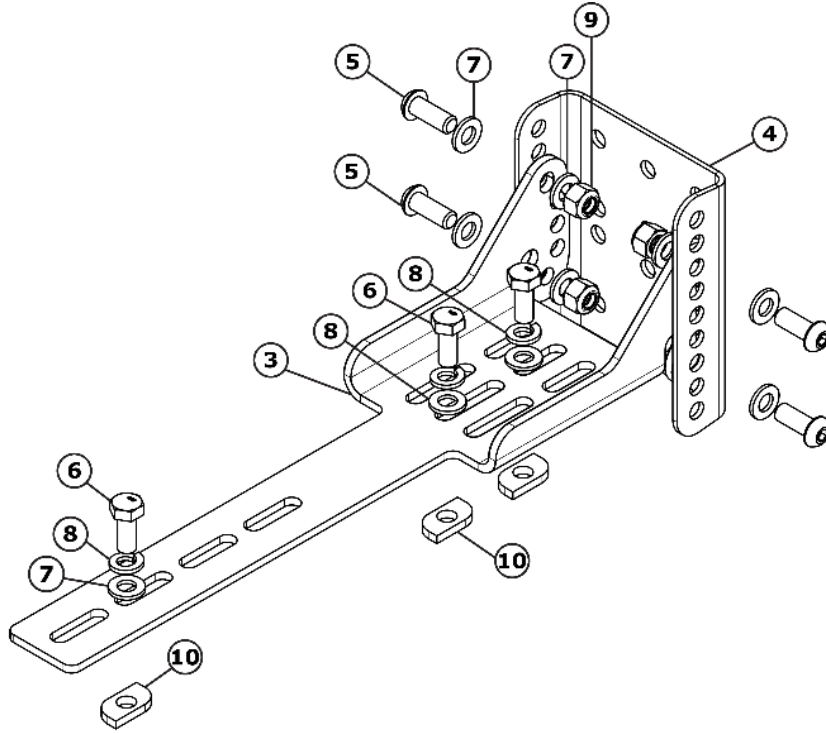
* Use either 16mm M8 set screws OR 20mm M8 set screws (both supplied)

** Use either type (both supplied)

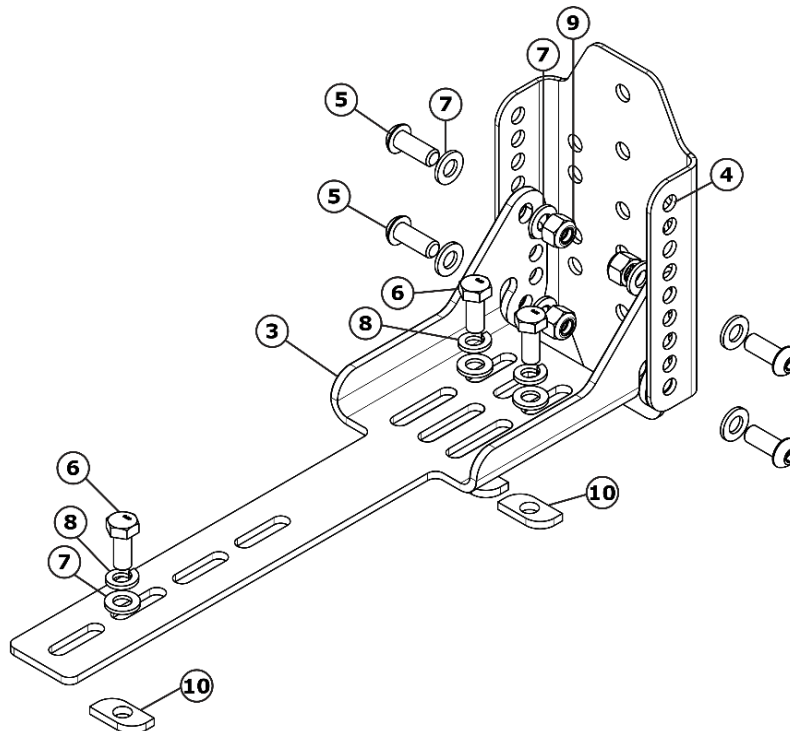
Fasteners supplied fit most roof bar/platform types. Refer to diagrams below for parts key and dimensions.

RACKSBRAX.

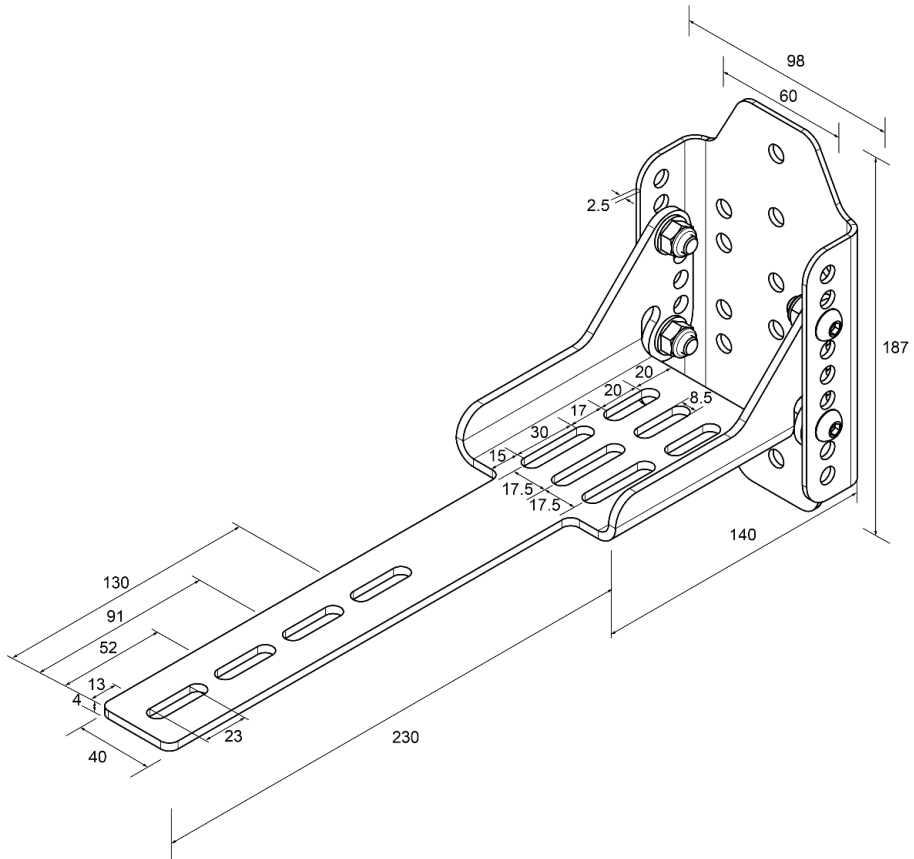
East-West Fastener Placement and Parts Key



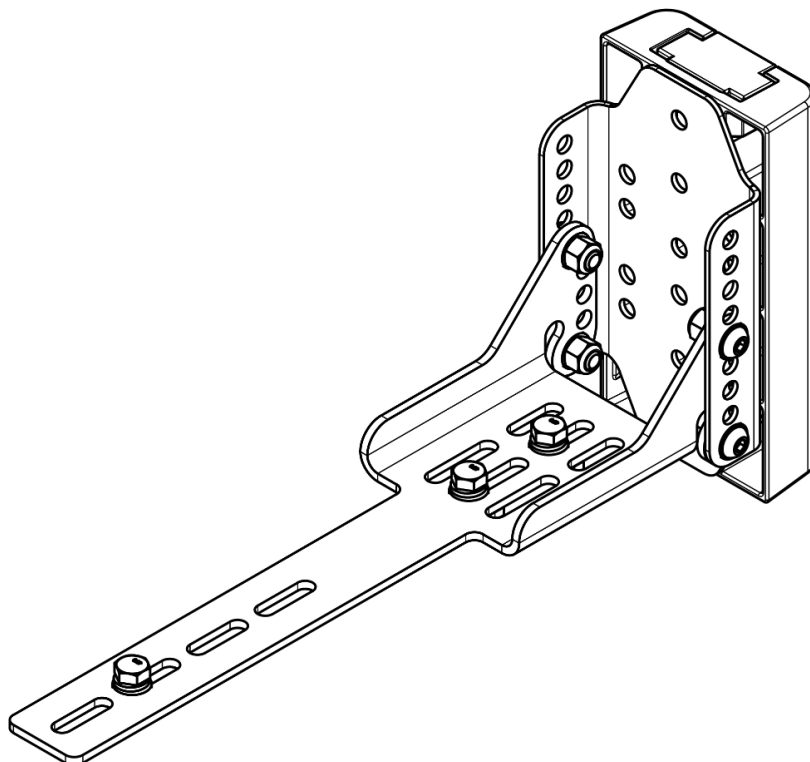
North-South Fastener Placement and Parts Key



LONG Foot Critical Dimensions in mm

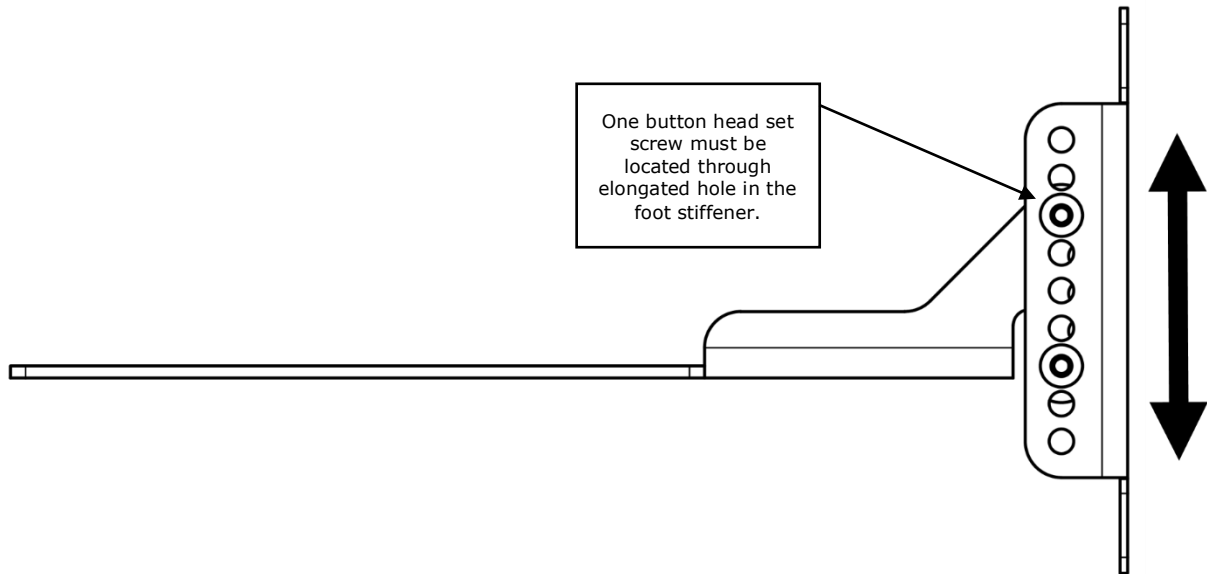


Adjustable Bracket (LONG Foot) Fitted with an HD Hitch



RACKSBRAX.

Adjustable Bracket (LONG Foot) Fitted in the Vertical Position



Adjustable brackets can adjust within a 50mm (2") range in the vertical plane with the aim of keeping the top of the bracket as low as possible without allowing the accessory (once fitted) to interfere with door openings. **The upper button screw MUST always pass through the slightly elongated hole on the foot stiffener.**

Fitted in the Vertical Position:

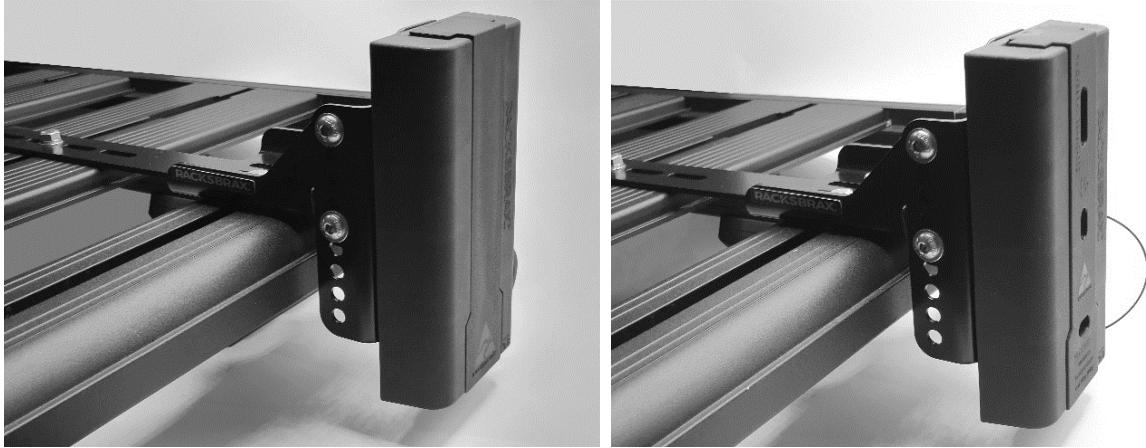
on platform-style rack without the RacksBrax XD Hitch



RACKSBRAX.

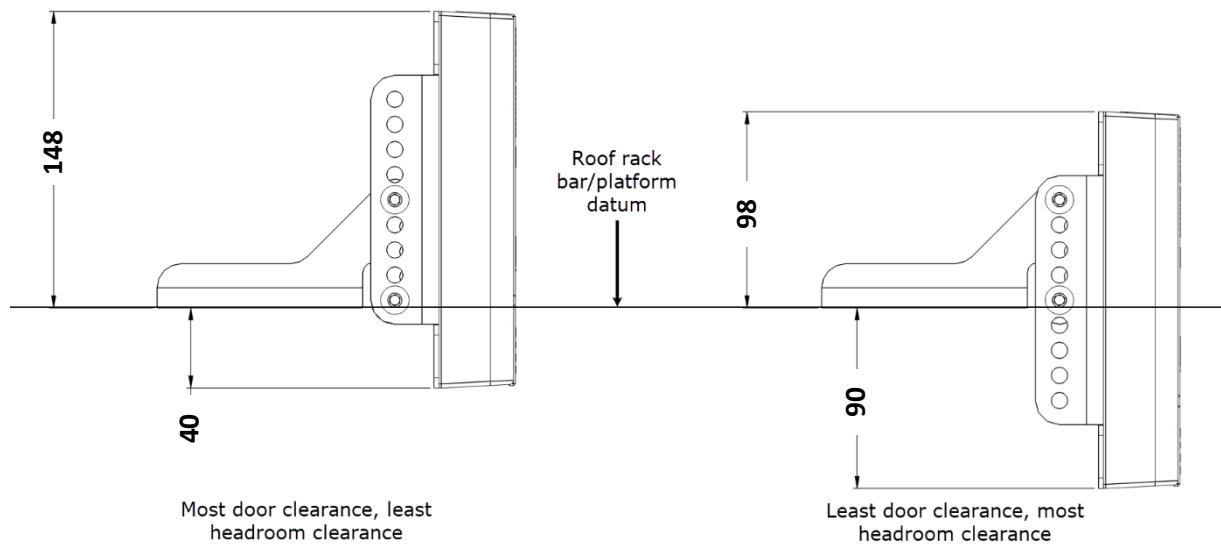
Fitted in the Vertical Position:

on platform-style rack with the RacksBrax XD Hitch



Adjustment Range

Headroom vs Door Clearance - Maximum and Minimum (in mm)



WARNING

(Read in conjunction with RacksBrax "SAFETY WARNINGS")

- 1) Bolt torque settings: M8 = 6Nm (5 ft.lb).
- 2) Do not use nylon-insert lock nuts more than once.
- 3) **DO NOT USE DRILL TO TORQUE BOLTS**
- 4) **Maximum load** per single bracket is 20kg/44lb.
A lesser roof rack capacity may reduce this.
- 5) Loads must not exceed the rated load capacity of the HD Hitch (20kg/44lb), the bracket (20kg/44lb), the roof rack capacity nor the vehicle manufacturers' specifications.
- 6) Awnings fastened to the brackets must be restrained in windy conditions, drained during rain and cleared during snow so as not to overload the HD Hitch, the bracket, the roof rack nor the vehicle.

What setting should the Adjustable Bracket be at?

Ideally, the Adjustable Bracket is set at its lowest setting to provide the least headroom requirement, keeping the top of the bracket as low as possible without allowing the accessory (once fitted) to interfere with door openings. See Headroom vs Door Clearance Diagrams above.

How many Brackets for my accessory?

Racksbrax Adjustable Brackets are sold in double packs or triple packs.

1. Firstly, the number of brackets **must not be less** than the number of brackets (support points) recommended by the accessory manufacturer and
2. Secondly, the number of brackets must equal the number of RacksBrax HD Hitches whose load capacity is 20kg/44lb per load point.



**FAST ON!
FAST OFF!**

