

HD L50 BRACKET KIT PARTS LIST

Item	Part	Quantity	
		HD L50 (Double) 8300	HD L50 (Triple) 8301
1	M8 Socket Button Head x 30mm (Grade 304)*	2	3
2	M8 Hex Set Screw x 25mm (Grade 304)*	2	3
3	M8 Hex Set Screw x 20mm (Grade 304)	4	6
4	M8 Hex Set Screw x 16mm (Grade 304)	4	6
5	M8 Spring Washer (Grade 304)	4	6
6	M8 Round Washer (22mm x 1.8mm)(Grade 304)*	4	6
7	M8 Round Washer (17mm x 1.2mm)(Grade 304)	4	6
8	M8 Nut (34mm x 20mm x 6mm)(Strut Nut)(Grade 304)	4	6
9	M8 Nut (20mm x 20mm x 4mm)(Grade 304)	4	6
10	M8 Nut (nylon insert)(Grade 304)*	2	3
11	HD L50 Brackets	2	3

* Parts specific to FrontRunner®, Slimline II® platform rack.

Some parts may not be used dependant on specific roof rack design.

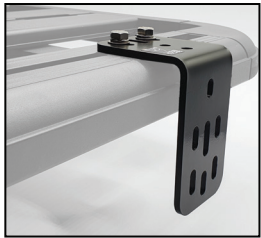
WARNING

(Read in conjunction with "SAFETY WARNINGS")

- 1) Bolt torque settings:
M8 = 6Nm (5 ft.lb)
- 2) Do not use nylon-insert lock nuts more than once
- 3) **DO NOT USE DRILL TO TORQUE BOLTS**
- 4) **Maximum load** per single Hitch is 20kg (44lb). **A lesser roof rack capacity may reduce this.**

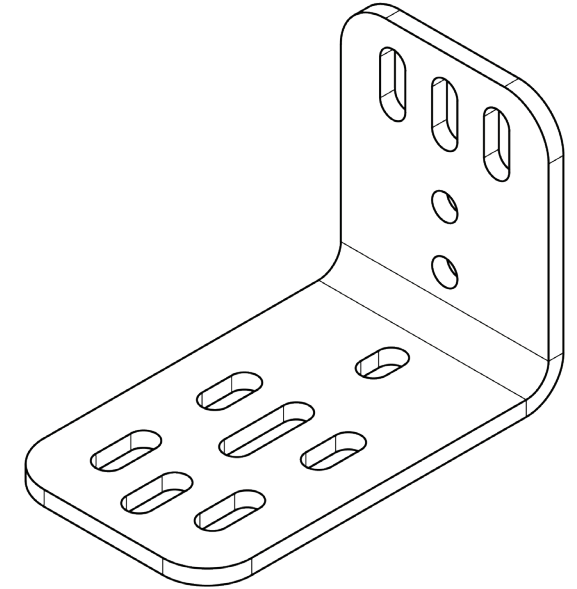
L BRACKETS FOR PLATFORM STYLE ROOF RACKS

Examples of different mounting positions on different roof rack platforms.



Visit our website for more!

RACKS BRAX®

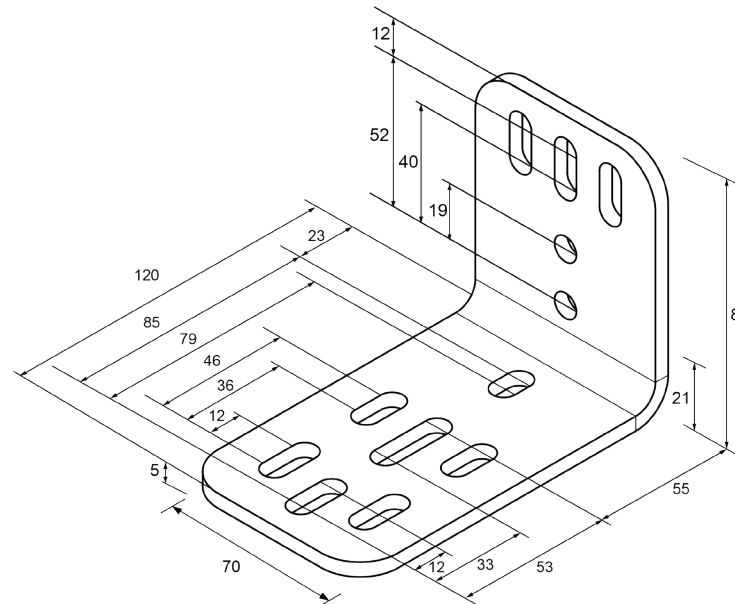


HD L50 BRACKET

Mounting Instructions

HD L50 (Double) (8300)
HD L50 (Triple) (8301)

Congratulations on purchasing the HD L50 **Stainless Steel**, powder coated bracket. The bracket has been designed and manufactured in Australia to the highest standards to ensure safety, quality and ease of use. This bracket is ideally suited to fit the **RacksBrax HD Hitch** as well as pullout awnings and shower tents with mounting track centres of 50mm. The bracket suits most roof rack styles.



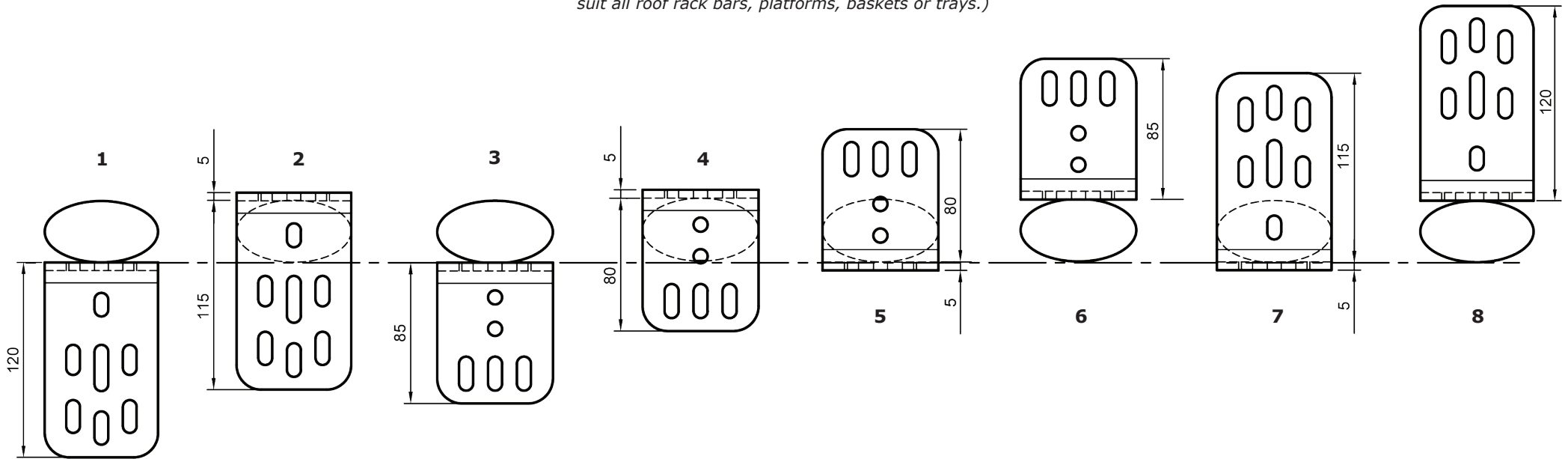
RACKSBRAX HD L50

L BRACKETS MOUNTING POSITIONS

(8 possible mounting positions. Not all positions will suit all roof rack bars, platforms, baskets or trays.)

← Most headroom, least door clearance

Most door clearance, least headroom →



L BRACKETS FOR SQUARE STYLE ROOF RACK BARS

(Mounted 8 different ways)



Position 1

Position 2

Position 3

Position 4

Position 5

Position 6

Position 7

Position 8

L BRACKETS FOR AERO STYLE ROOF RACK BARS

(Mounted 8 different ways)



Position 1

Position 2

Position 3

Position 4

Position 5

Position 6

Position 7

Position 8