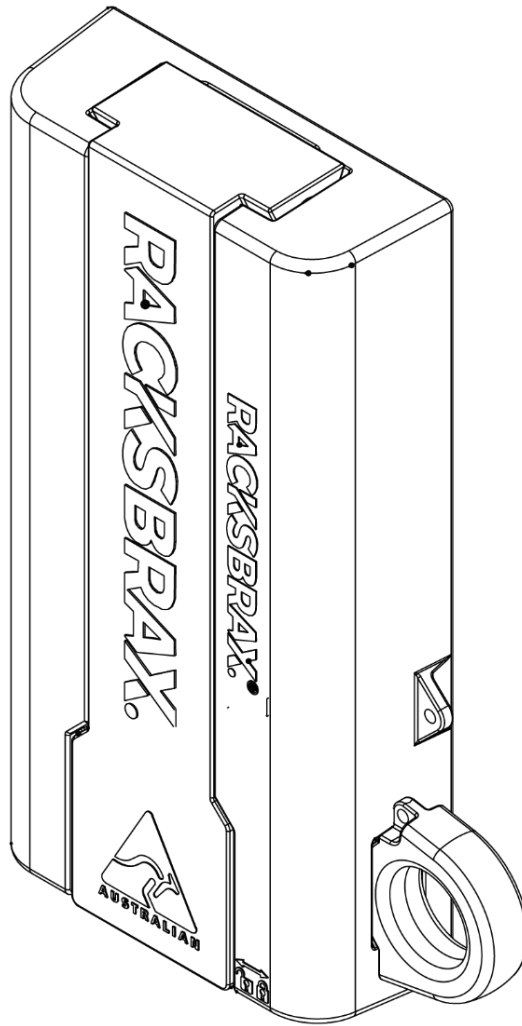


RACKS BRAX.[®]



XD HITCH

Assembly and Mounting Instructions

XD Hitch (Double) (9000) XD Hitch (Triple) (9001)

Congratulations on purchasing the RacksBrax XD Hitch. The RacksBrax XD Hitch has been engineered and manufactured to the highest standards to ensure safety, quality and ease of use for the quick loading and unloading of roof rack mounted 180°, 270° and 360° wing awnings.

RACKSBRAX.

XD Hitch Parts List

ITEM	PART	Quantity	
		XD Hitch (Double) 9000	XD Hitch (Triple) 9001
1	RB-INS-009 - XD Hitch Instructions	1	1
2	RB-POL-004 - Warranty and Safety Warnings	1	1
3	XD Body with lock	2	3
4	XD Holder	2	3
5	XD Cover	2	3
6	HD Pin - Pin	2	3
7	Pin Lanyard (Grade 304)	2	3
8	M8 Hex Set Screw x 25 (Grade 304)*	6	9
9	M8 Hex Set Screw x 20 (Grade 304)*	6	9
10	M8 Round Washer (17mm x 1.2mm) (Grade 304)**	18	27
11	M8 Hex Nut (nylon insert) (Grade 304)***	12	18

* Includes 2 (9000) and 3 (9001) additional set screws for triple mounting track awnings

** Includes 6 (9000) and 9 (9001) additional washers for triple mounting track awnings

*** Includes 4 (9000) and 6 (9001) additional hex nuts (nylon insert) for triple mounting track awnings

Does the XD Hitch fit my awning?

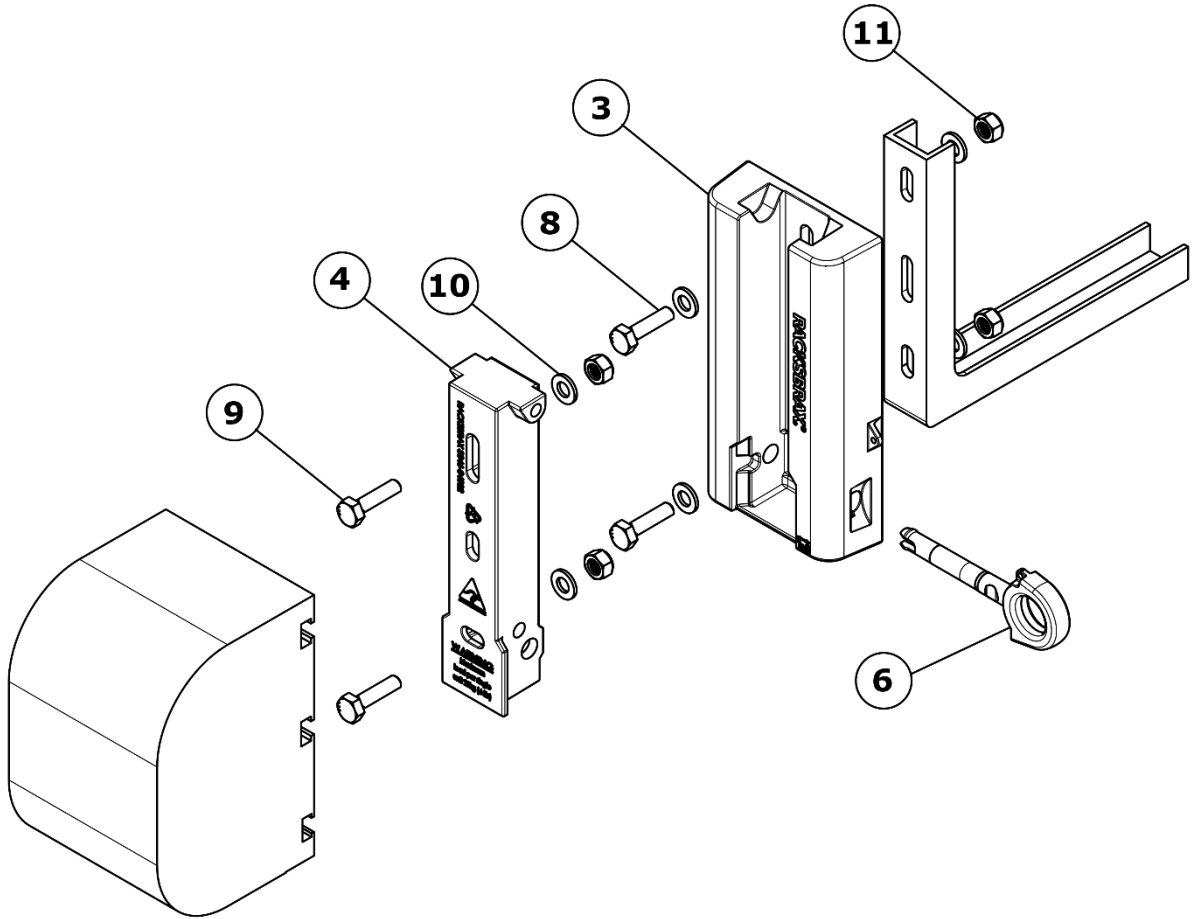
The RacksBrax quick release XD Hitch has been engineered to suit wing awnings with track spacings between 100-120mm. Additionally it also suits those wing awnings with three mounting tracks, each at 60mm centres (120mm between the upper and lower mounting point with the third mounting point located centrally).

WARNING

(Read in conjunction with RacksBrax "SAFETY WARNINGS")

- 1) Bolt torque settings: M8 = 6Nm (5 ft.lb)
- 2) Do not use nylon-insert lock nuts more than once
- 3) **DO NOT USE DRILL TO TORQUE BOLTS**
- 4) **Maximum load** per single Hitch is 20kg (44lb).
A lesser roof rack capacity may reduce this.
- 5) Loads must not exceed the rated load capacity of the XD Hitch, the bracket, the roof rack nor the vehicle manufacturers specifications.
- 6) Awnings must be restrained in windy conditions, drained during rain and cleared during snow.

RACKSBRAX.



How many Hitches for my awning?

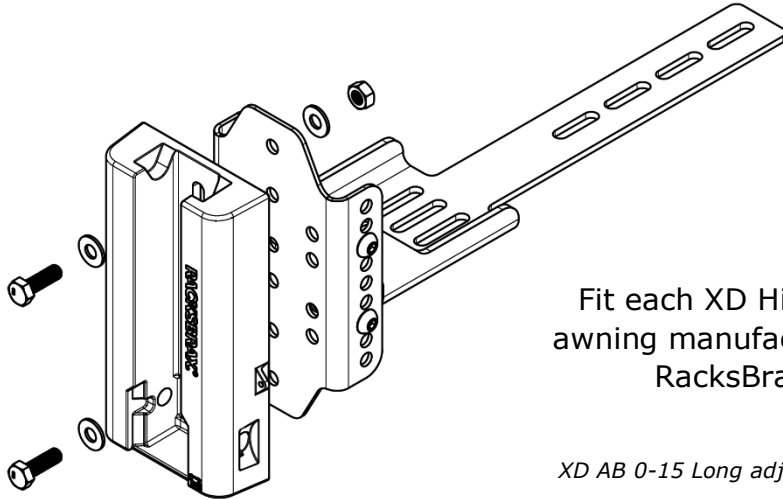
Racksbrax XD Hitches are sold in double packs or triple packs.

1. Firstly, the number of XD Hitches **must not be less** than the number of brackets (support points) recommended by the awning manufacturer.
2. Secondly, for a given wing awning type, the table below outlines the minimum number of XD Hitches needed, which **may** exceed quantities in 1 above. Ensure you satisfy the requirement of each column for your given awning whilst ensuring you also comply with 1 above.

WING AWNINGTYPE	ROOF AREA m ² (ft ²)	MAXIMUM awning weight kg (lbs)*	MINIMUM # of XD Hitches (and thus brackets)
180° and 270°	≤11.5m ² (124 ft ²)	40kg (88lb)	2 (Double)
180° and 270°	>11.5m ² (124 ft ²)	60kg (132lb)	3 (Triple)
360°	>11.5m ² (124 ft ²)	80kg (176lb)	4 (2 x Double)

* Loads must not exceed the rated load capacity of the XD Hitch, the bracket, the roof rack nor the vehicle manufacturers specifications.

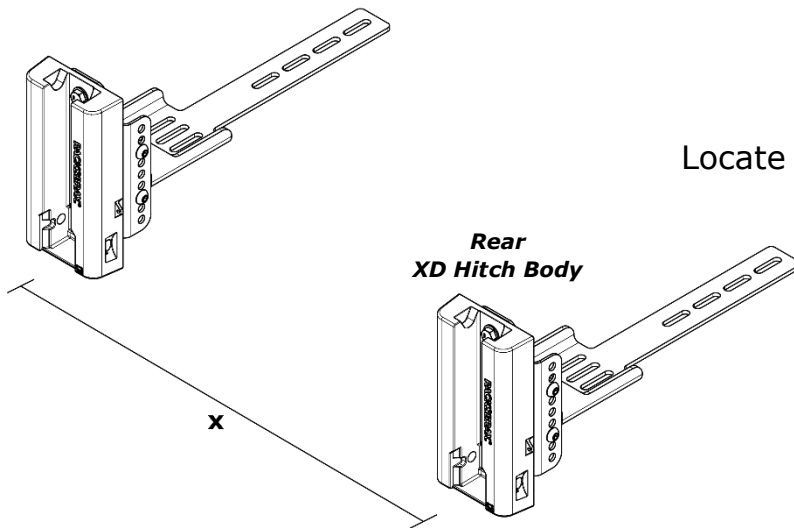
RACKSBRAX.



1

Fit each XD Hitch Body to the bracket. Use awning manufacturers' brackets or purchase RacksBrax height adjustable brackets separately.

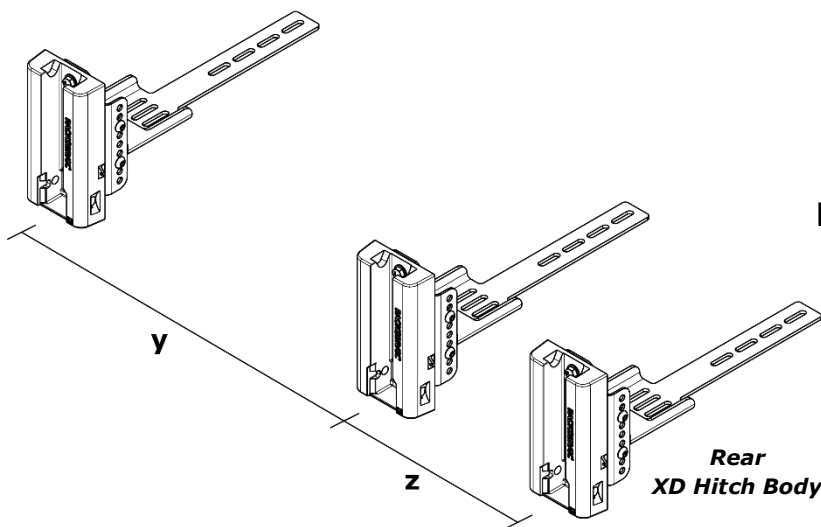
XD AB 0-15 Long adjustable bracket shown, sold separately.



2

Locate rear Hitch as close to wing awning hinge as possible.

XD Hitch (Double) model shown above.

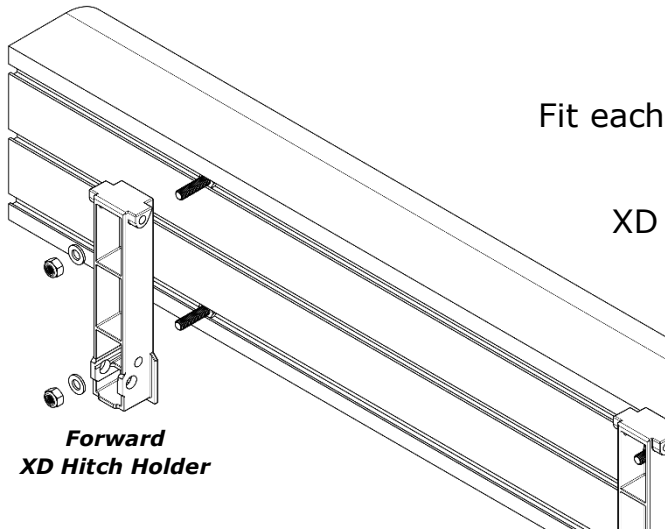


3

Locate the rear 2 Hitches as close to wing awning hinge as possible.

XD Hitch (Triple) model shown above.

4



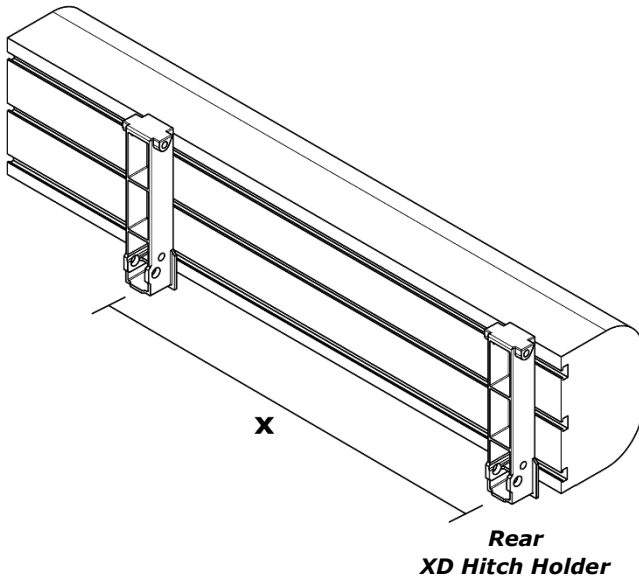
Fit each XD Hitch Holder to wing awning.

Spaced to exactly match XD Hitch Body centres, x or y and z.

**Forward
XD Hitch Holder**

5

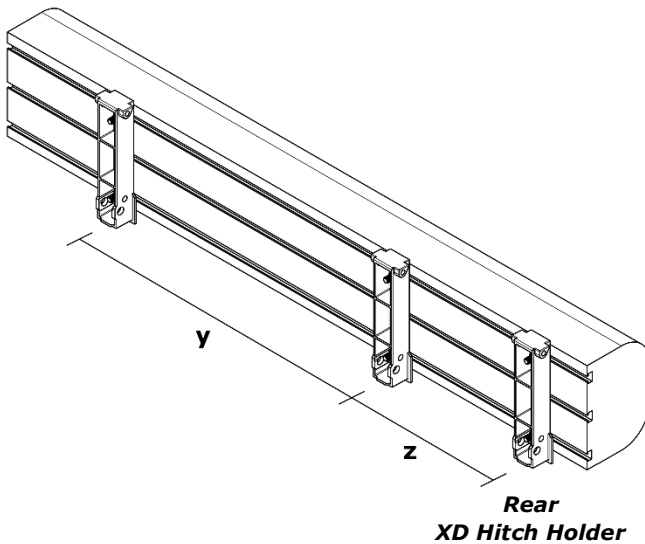
XD Hitch (Double)
Holder locations.



**Rear
XD Hitch Holder**

6

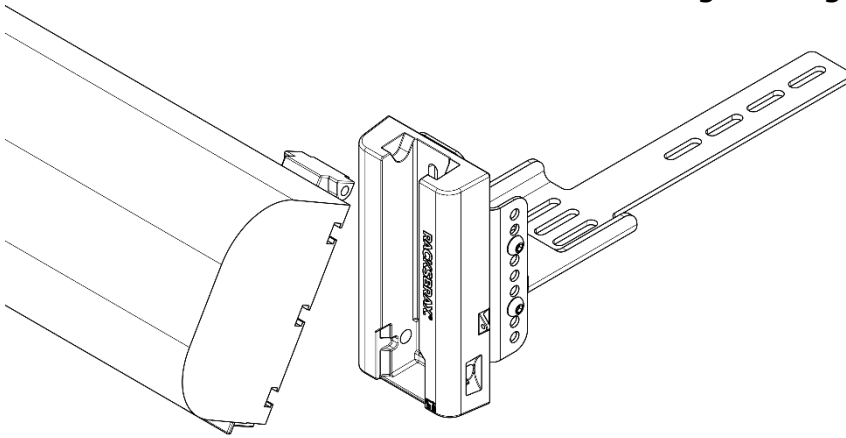
XD Hitch (Triple)
Holder locations.



**Rear
XD Hitch Holder**

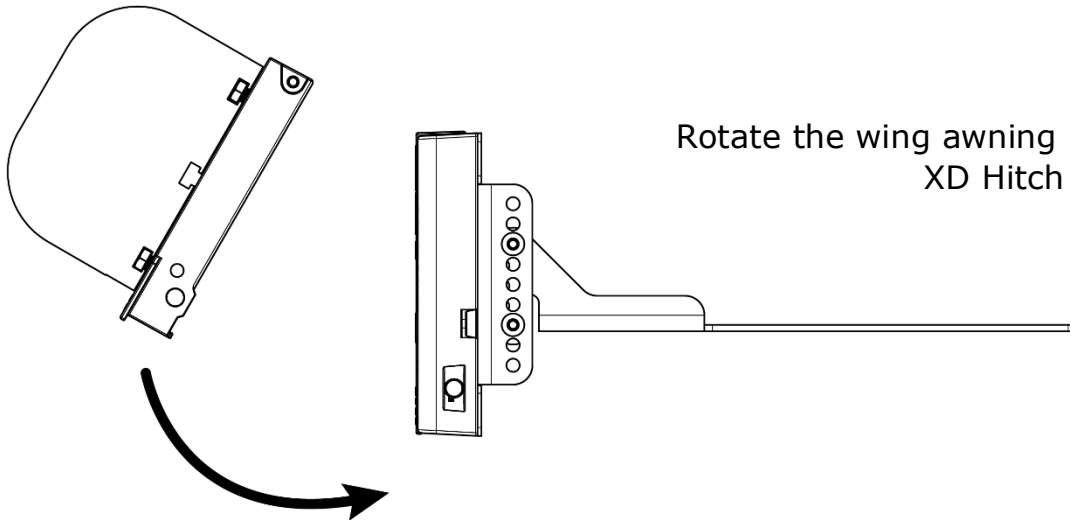
7

Load wing awning onto XD Hitch Bodies.



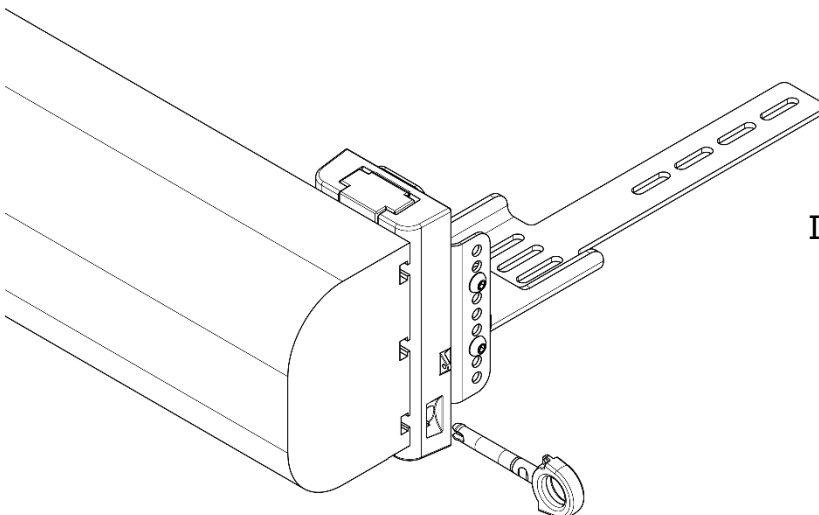
8

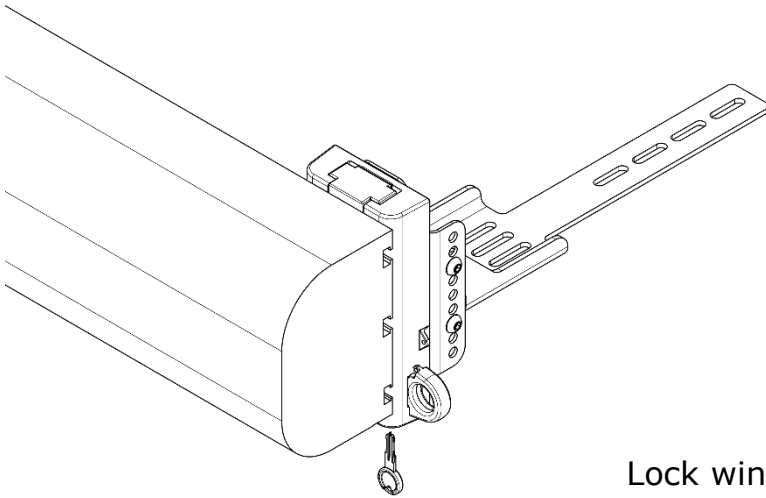
Rotate the wing awning into the XD Hitch Bodies.



9

Insert XD Hitch Pins into each XD Hitch Body.





10

Lock wing awning at each XD Hitch.

Wing Awnings: Wind, Rain and Snow

The XD Hitch mounting system is designed with a high load capacity relative to the weight of even the heaviest awnings. However, in the deployed state, loads from high winds, pooled rainwater, and accumulated snow can exceed the XD Hitch load capacity.

Always follow the awning manufacturer's recommendation with respect to awning use under conditions of wind, rain and snow. In addition, it is recommended that in windy conditions poles and guy ropes are always installed, and that during rain and snow events, that steps are taken to prevent excessive loading on the awning. For example, do not leave un-guyed awnings unattended if weather conditions may deteriorate.

Due to the high number of variables associated with wind direction, awning size and arrangement, local terrain, and other factors, it is not possible to provide meaningful wind speed recommendations.

The 3 enemies of "freestanding" wing awnings are: wind, rain and snow.

WIND: The wind loads on the awning mounting system relate to wind direction, wind strength, local terrain and awning area. In gusty conditions in particular, the loads on the awning are unpredictable, and may vary from upwards to downwards in a short space of time. It is recommended that in all but calm conditions, regardless of the awning manufacturer's instructions, that awnings should be restrained with poles and guy ropes to prevent damage to the mounting system.

RAIN: Most wing awnings come with a means to deflect runoff water from rain to avoid stretching the awning material (and causing other damage) when water collects in pools. Typically, this is accomplished with guy ropes set midway between the rafters and with poles at the rafters. To prevent potential overloading of the mounting system during heavy rain, drainage measures are recommended.

SNOW: The awning mounting system may be overloaded under snow loads. In snow conditions where heavy snow loads may develop, snow needs to be periodically cleared or the awning needs to be stowed.

Failure to adhere to any of these recommendations may void the RacksBrax Warranty.

RACKSBRAX.

Wing Awnings set "freestanding"



**FAST ON!
FAST OFF!**



To learn more, visit
[racksbrax.com](https://www.racksbrax.com)