

# RACKS BRAX.®

## HD HITCH

### *Assembly and Mounting Instructions*

for

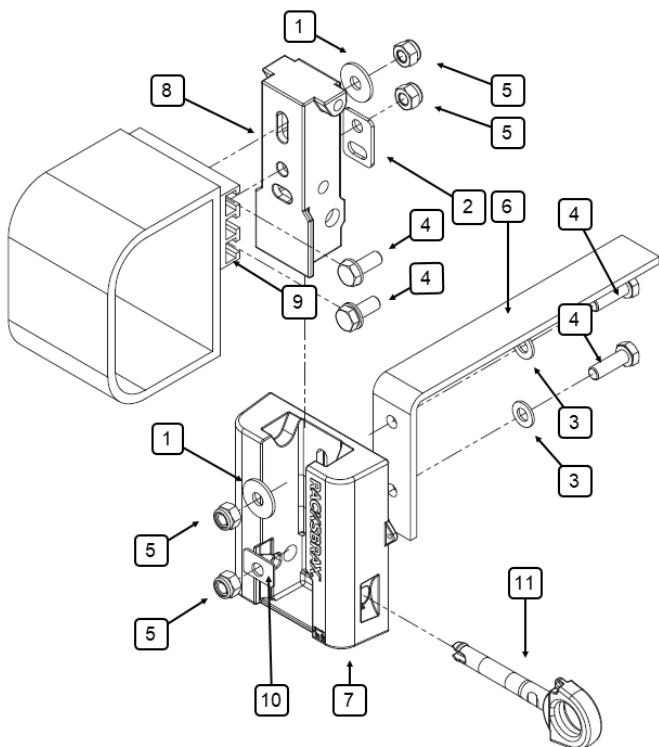
### **SUPA PEG PULLOUT, SUPA PEG 180 DEGREE AND SUPA PEG WING-STYLE AWNINGS**



Read these replacement washer instructions in conjunction with RB-INS-001 - Instructions for HD Hitch Range supplied. These instructions cover the placement of alternate larger stainless steel washers to be added to the inside faces of each HD Hitch Holder and HD Hitch Body. These washers replace M8 washers indicated in RB-INS-001 - Instructions for HD Hitch Range.

The bolts that fasten the SUPA PEG Hitch Body to the SUPA PEG bracket fit through the upper vertical slot and the central M8 hole at 33mm centres.

Fit Body and Holder washers to each Hitch set as indicated in the diagram over.



**QUANTITY**

<b>PART</b>	<b>8179</b>	<b>8180</b>	<b>8181</b>	<b>8183</b>
<b>1</b> Round Washer M8 (22mm x 1.8mm) (Grade 304)	4	6	9	6
<b>2</b> Holder Washer (2mm x 32mm x 22.5mm) (Grade 304)	2	4	6	3
<b>3</b> Round Washer M8 (17mm x 1.2mm) (Grade304)	14	18	24	20
<b>4</b> Hex M8 20mm Set Screw (Grade 304)	8	12	18	12
<b>5</b> Hex M8 Nut Nylon Insert (Grade 304)	10	14	20	14
<b>6</b> Bracket with M8 Hole centres at 33mm *	2	2	3	3
<b>7</b> RacksBrax HD Hitch Body	2	4	5	3
<b>8</b> RacksBrax HD Hitch Holder	2	4	6	3
<b>9</b> SUPA PEG Awning *	-	-	-	-
<b>10</b> Washer M8 30mm x 14.5mm x 2mm (Grade 304)	2	4	6	3
<b>11</b> RacksBrax HD Hitch Pin	2	2	3	3
<b>Not shown</b> Hex M8 20mm Set Screw (Grade 304)	2	2	2	2

\* Awning components purchased separately.