

RACKS BRAX.®

HD HITCH

Assembly and Mounting Instructions

for

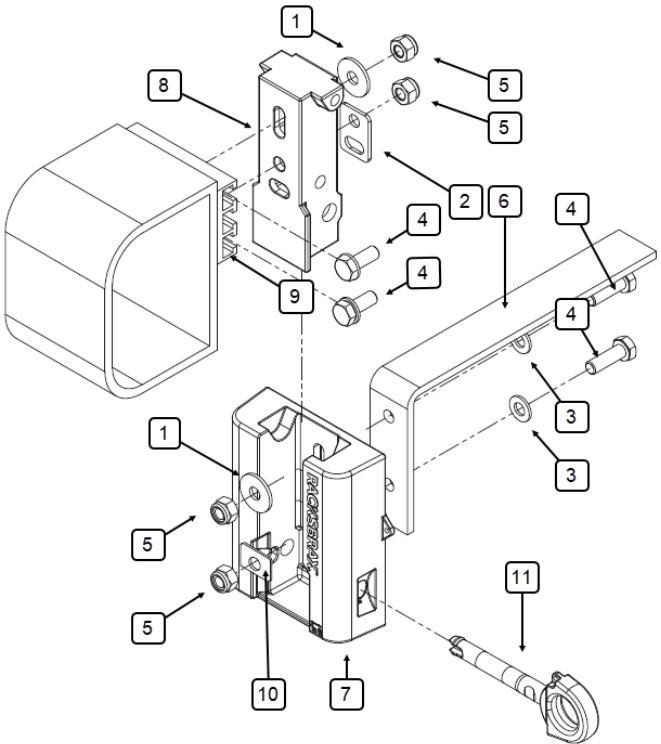
SUPA PEG PULLOUT, SUPA PEG 180 DEGREE AND SUPA PEG WING-STYLE AWNINGS



Read these replacement washer instructions in conjunction with RB-INS-001 - Instructions for HD Hitch Range supplied. These instructions cover the placement of alternate larger stainless steel washers to be added to the inside faces of each HD Hitch Holder and HD Hitch Body. These washers replace M8 washers indicated in RB-INS-001 - Instructions for HD Hitch Range.

The bolts that fasten the SUPA PEG Hitch Body to the SUPA PEG bracket fit through the upper vertical slot and the central M8 hole at 33mm centres.

Fit Body and Holder washers to each Hitch set as indicated in the diagram over.



Part	Quantity			Code
	8179	8180	8181	
1 Round Washer M8 (24mm x 2mm) (Grade 304)	4	6	9	3846-03034
2 Holder Washer (2mm x 32mm x 22.5mm) (Grade 304)	2	4	6	3846-01013
3 Round Washer M8 (16mm x 1mm) (Grade 304)*	4	4	4	3846-03033
4 Hex M8 20mm Set Screw (Grade 304)*	8	8	8	3846-03032
5 Hex M8 Nut Nylon Insert (Grade 304)*	8	8	8	3846-03035
6 Bracket with M8 hole centres at 33mm **	2	2	3	Not provided
7 RacksBrax HD Hitch Body*	2	2	3	3846-01001
8 RacksBrax HD Hitch Holder*	2	2	3	3846-01002
9 SUPA PEG Awning Spine	-	-	-	Not provided
10 Washer M8 30mm x 14.5mm x 2mm (Grade 304)	2	4	6	3846-01023
11 RacksBrax HD Hitch Pin*	2	2	3	3846-01003

* Included in HD Hitch purchased separately.

** Purchased separately.