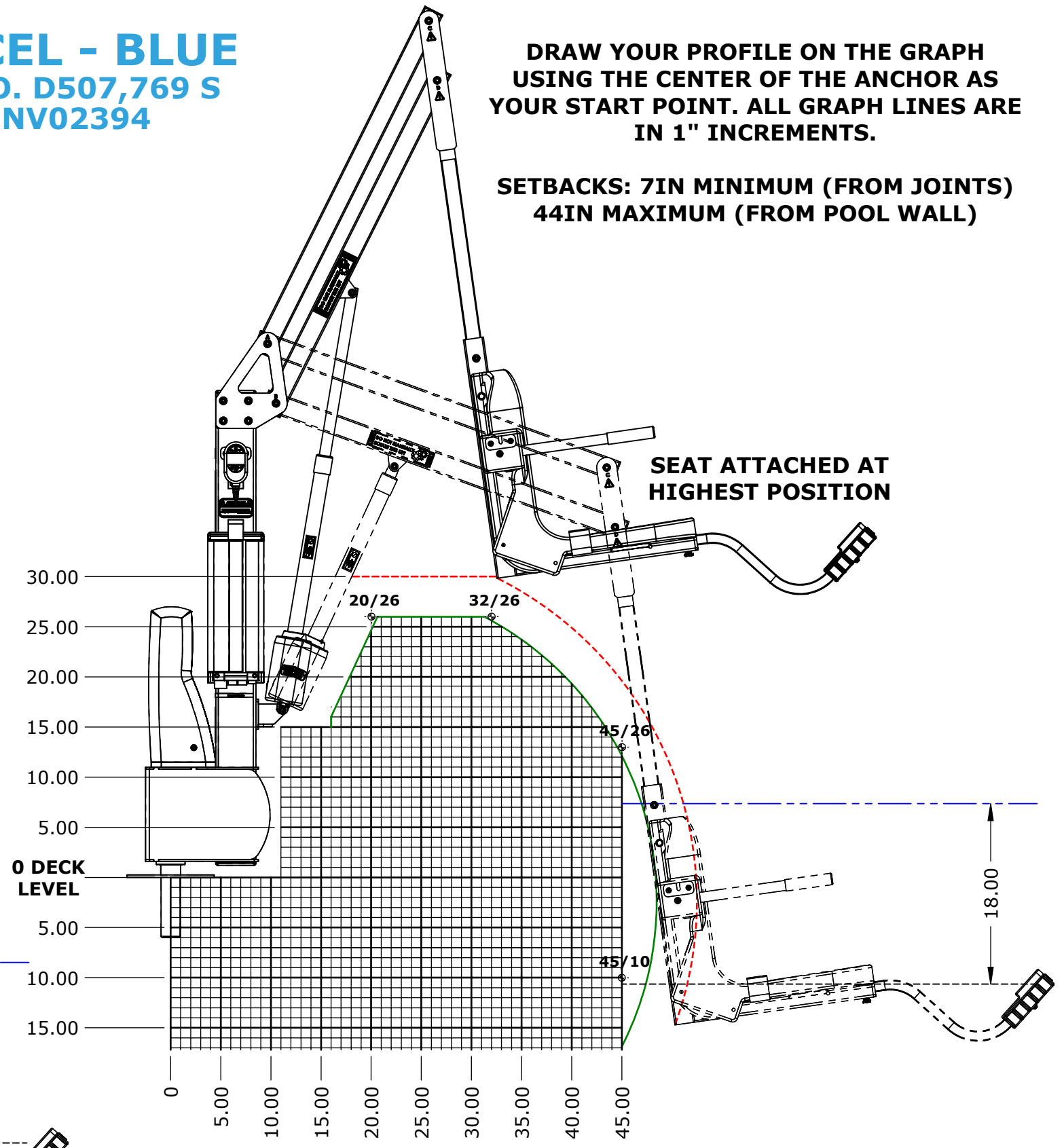
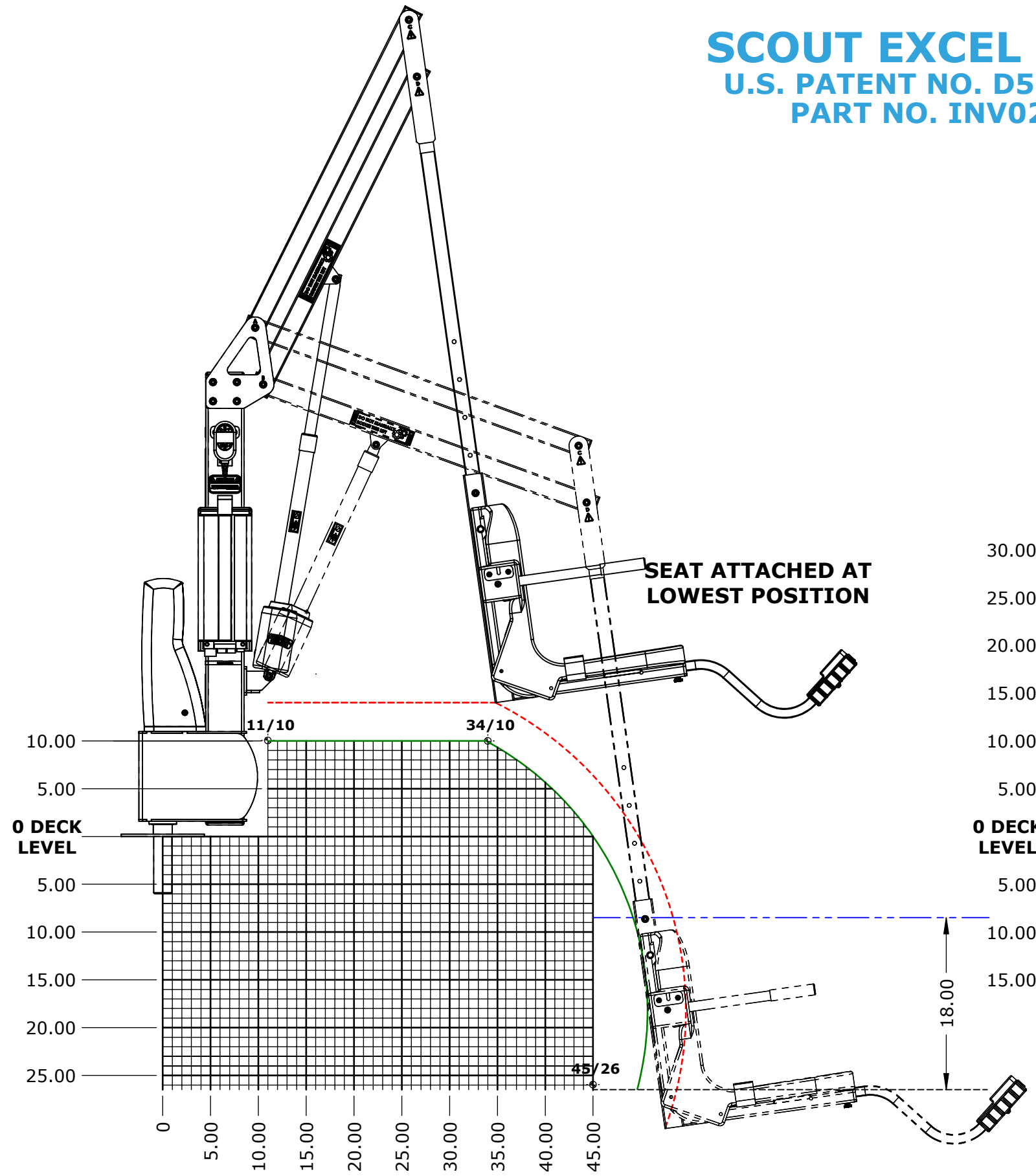


SCOUT EXCEL - BLUE

U.S. PATENT NO. D507,769 S
PART NO. INV02394

DRAW YOUR PROFILE ON THE GRAPH USING THE CENTER OF THE ANCHOR AS YOUR START POINT. ALL GRAPH LINES ARE IN 1" INCREMENTS.

**SETBACKS: 7IN MINIMUM (FROM JOINTS)
44IN MAXIMUM (FROM POOL WALL)**



**MATERIAL: STAINLESS STEEL
FINISH: POWDER COAT - WHITE
APPROX. WEIGHT: 182.79 LBS.**



**9889 GARRYMORE LANE
MISSOULA, MT 59808
(406) 549-0769
FAX (406) 549-2602
www.AquaCreek.com**

PROPRIETARY AND CONFIDENTIAL INFORMATION

THIS DRAWING AND ALL INFORMATION CONTAINED HEREIN IS THE SOLE PROPERTY OF AQUA CREEK PRODUCTS LLC. ANY REPRODUCTION IN PART OR AS A WHOLE WITHOUT WRITTEN PERMISSION FROM AQUA CREEK IS PROHIBITED.

*SPECIFICATIONS ARE SUBJECT TO CHANGE WITHOUT NOTICE

REVISIONS			
REV.	DESCRIPTION	DATE	APPROVED
P1	INITIAL RELEASE	4/19/2021	J.MAXWELL

SCOUT EXCEL - BLUE - INV02394

51-163-220

SCALE
1:13

SHEET
1