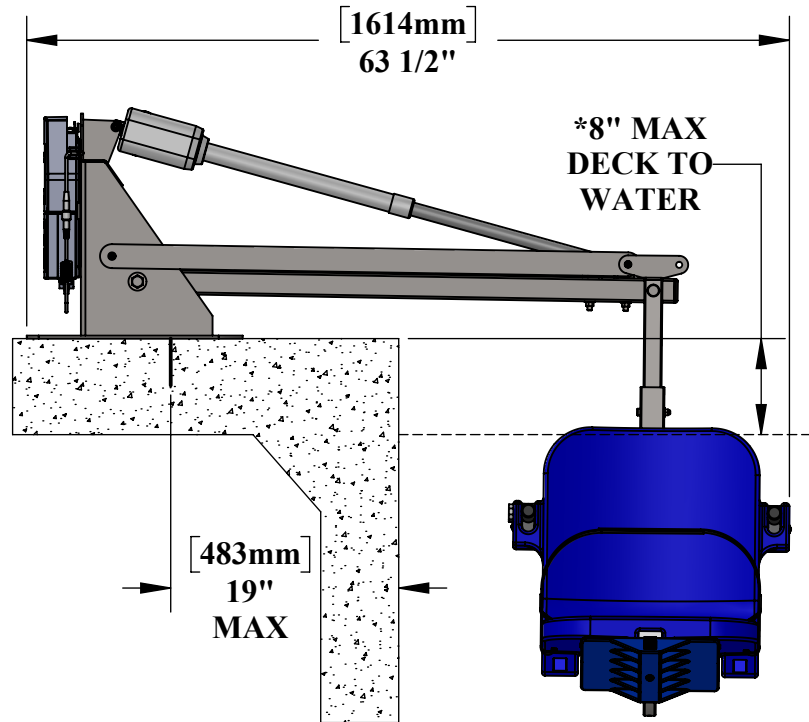
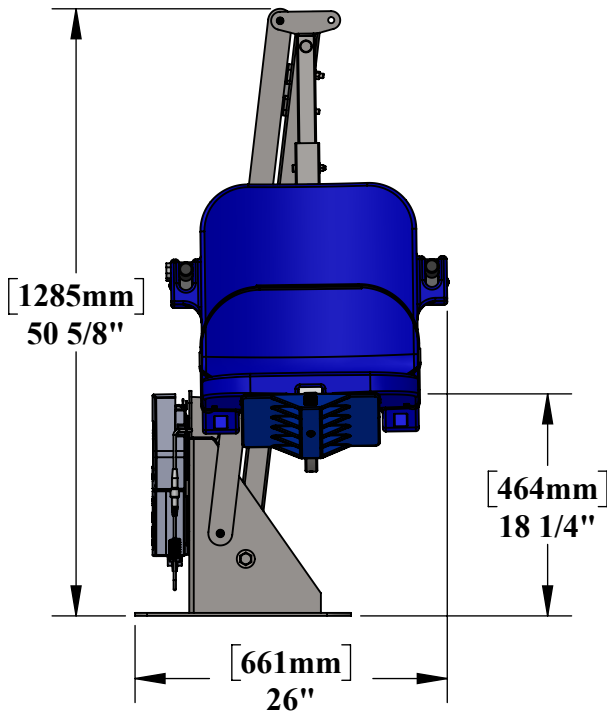


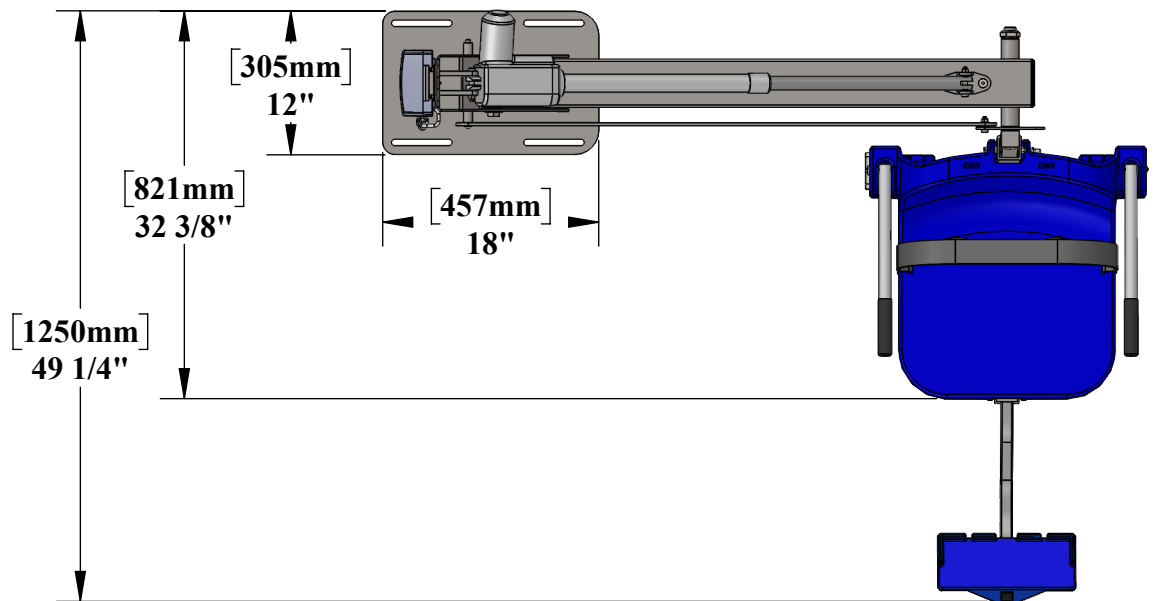
# ADMIRAL POOL LIFT

PATENTS (7,249,386 B2) (D507,7695)

**\*MEASUREMENT TAKEN WITH THE LIFT AT FULL LOAD**



**PRODUCT WEIGHT: 110lbs [49kg]**  
**MAX WEIGHT CAPACITY: 450lbs [204kg]**  
**MIN ANCHOR SETBACK: 14.5"**  
**MAX ANCHOR SETBACK: 19"**  
**MAX WATER DRAFT: 8"**  
**SEAT ADJUSTMENT: SEAT CAN BE ADJUSTED 6" IN 2" INCREMENTS.**



9889 GARRYMORE LANE  
 MISSOULA, MT 59808  
 (406) 549-0769  
 FAX (406) 549-2602

NOTE:  
 \*SPECIFICATIONS ARE SUBJECT TO CHANGE WITHOUT NOTICE

|           |      |           |           |
|-----------|------|-----------|-----------|
| PRODUCT:  |      | ADMIRAL   |           |
| PART #:   |      | F-ADMRL   |           |
| SCALE:    | 1:16 | DATE:     | 8/26/2019 |
| DRAWN BY: | KR   | REVISION: | 04        |