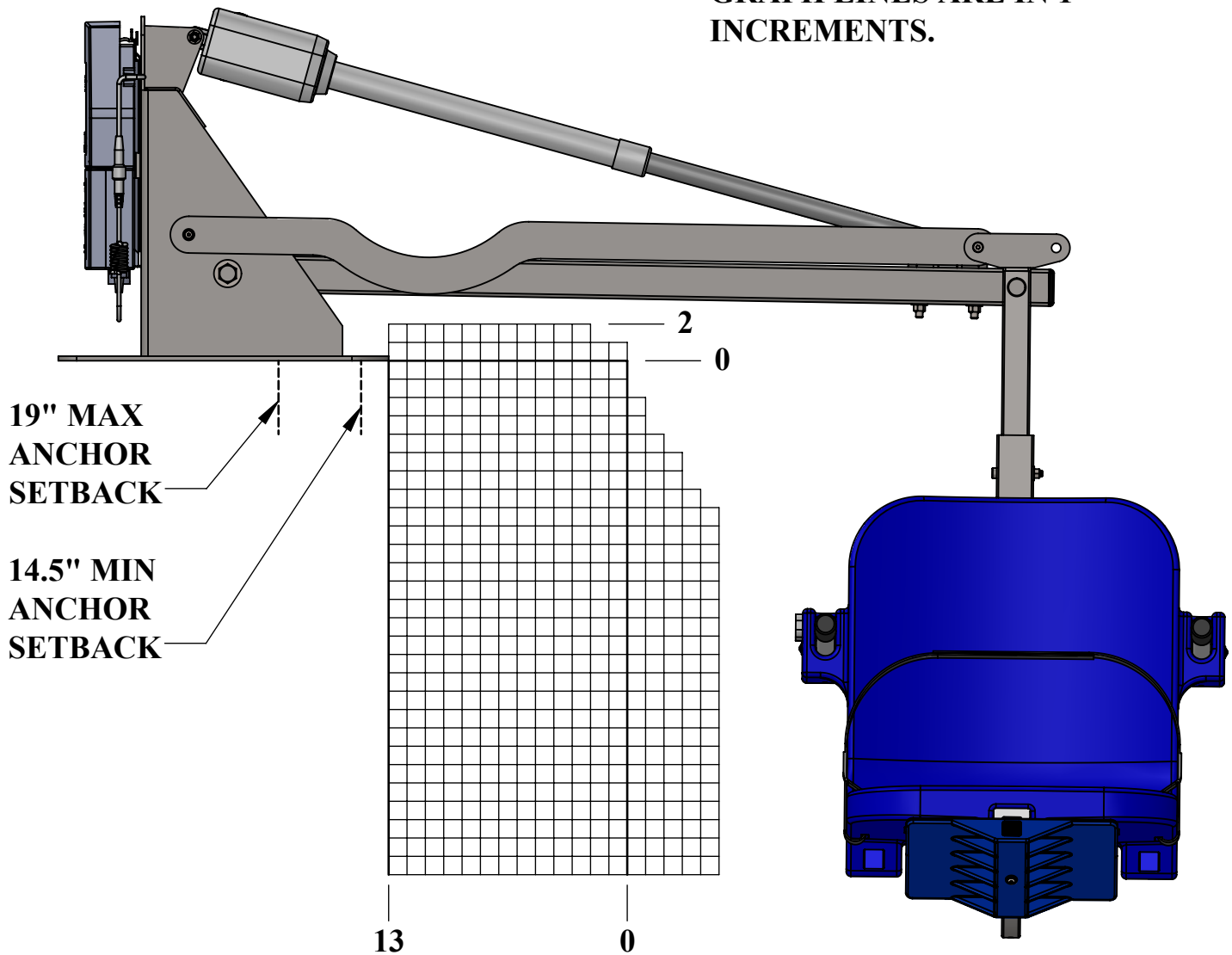


ADMIRAL GRAPH CHART

MINIMUM ANCHOR SETBACK = 14.5"

MAXIMUM ANCHOR SETBACK = 19"

DRAW YOUR PROFILE ON THE GRAPH USING THE FRONT ANCHOR LOCATIONS AS YOUR START POINT. ALL GRAPH LINES ARE IN 1" INCREMENTS.



9889 GARRYMORE LANE
 MISSOULA, MT 59808
 (406) 549-0769
 FAX (406) 549-2602

NOTE:
 *SPECIFICATIONS ARE SUBJECT TO CHANGE WITHOUT NOTICE

| | | | |
|-----------|-----|-----------|-----------|
| PRODUCT: | | ADMIRAL | |
| PART #: | | F-ADMRL | |
| SCALE: | 1:9 | DATE: | 7/15/2019 |
| DRAWN BY: | KR | REVISION: | 03 |