



# NATURE'S GENERATOR POWER PANEL

## Natures Generator Inc

support@naturesgenerator.com

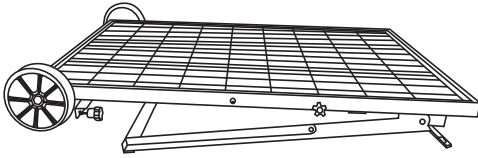
800.975.7909

### How to Position the Power Panel

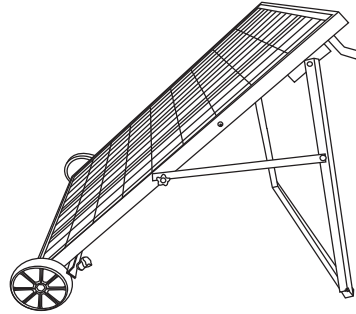
Please place your power panel where it will get as much direct sunlight as possible. There are three positions as follows:

#### Flat Position

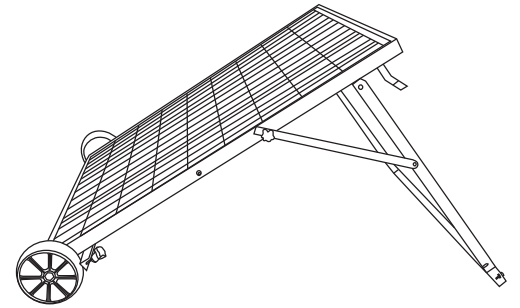
To mount the power panel semi-permanently or during travel.



#### Winter Position

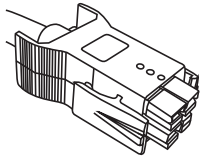


#### Summer Position

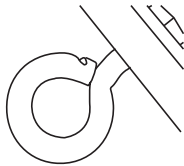


### How to Use the Power Panel

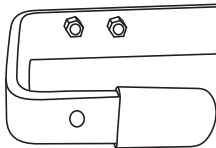
Connect the power panel cable to the solar input port.



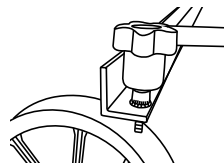
You can use the four eyebolts to anchor the power panel to the ground.



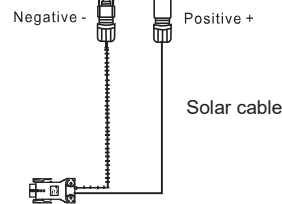
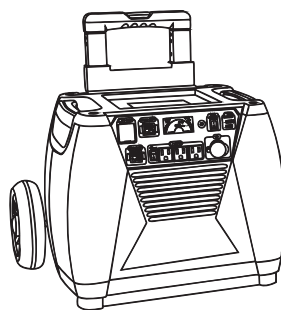
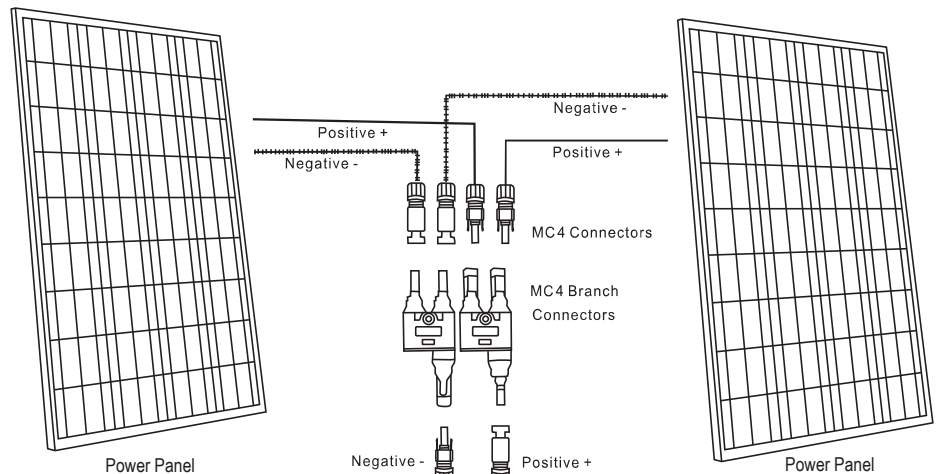
You can use handles for cable management and predrilled 6mm holes for optional mounting.



You can turn star knob clockwise to stop the wheel or counterclockwise to release.



### Optional: To Double Charging Speed, Use the Parallel Connection Method



For use with  
Nature's Generator /  
Nature's Generator Elite

Or

For use with  
Nature's Generator  
Power Pod /  
Nature's Generator  
Power Pod Elite

#### Specifications:

Rated Power: 100W  
Voltage: 17V ~ 22V  
Fuse Rating: 8A  
Cell: Monocrystalline

#### Certifications:



Designed in USA  
Made in Vietnam

visit [NaturesGenerator.com](http://NaturesGenerator.com) for more information