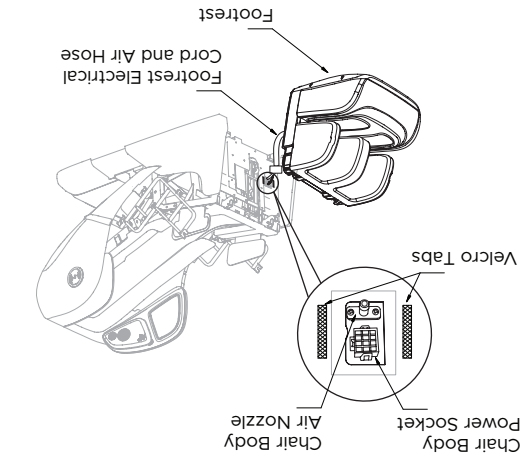
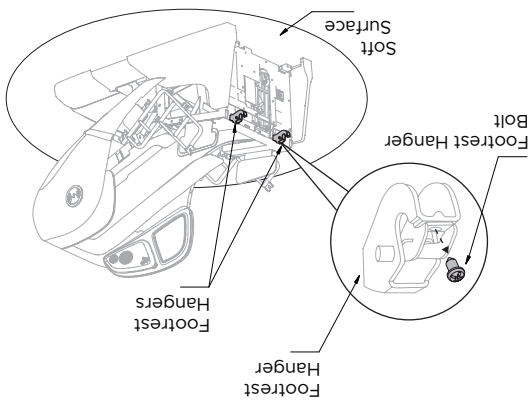


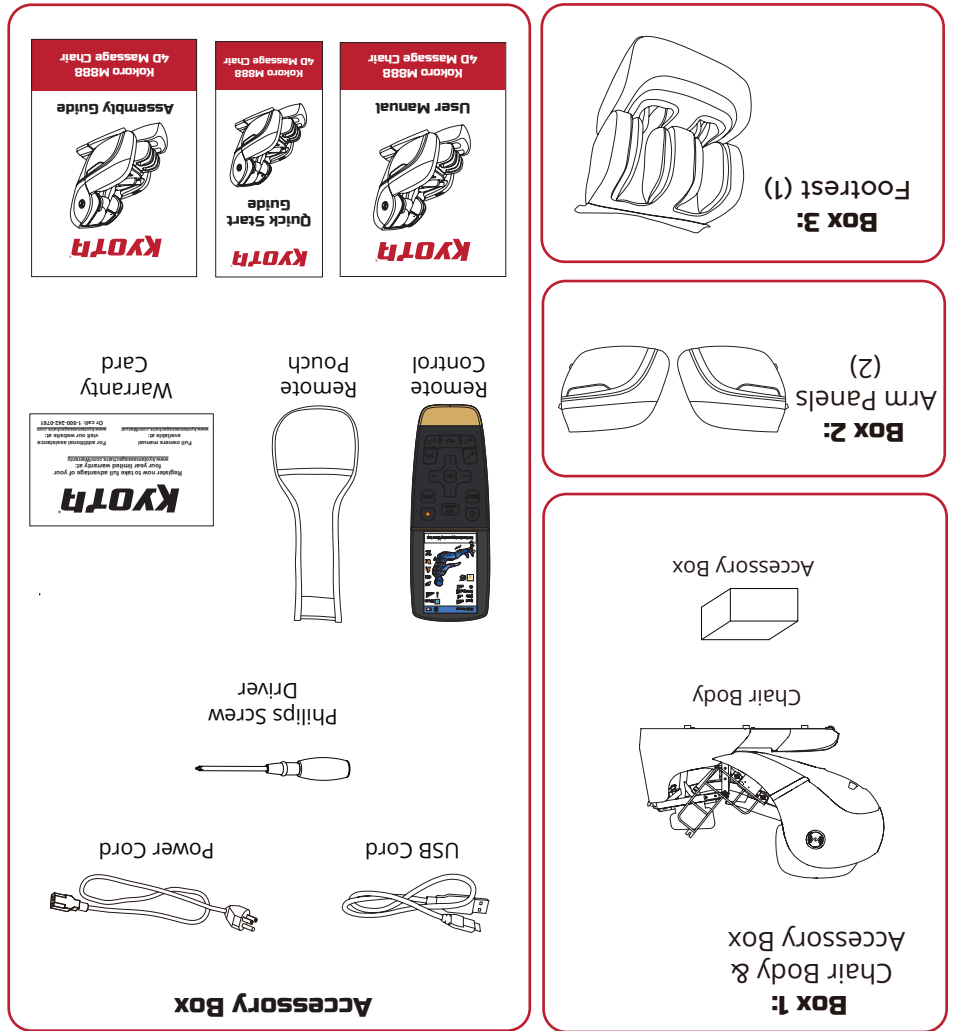
Step 4: Lift the axis cover on both footrest hangers. Carefully lift the footrest, placing it in on the footrest hangers. To secure the footrest to the chair body, close the axis covers and screw the saved footrest hanger bolts back into the footrest hanger.



Step 3: Place footrest in front of chair body. Connect the Footrest electrical cord and air hose to the corresponding chair body power socket and air nozzle. Cover the connections by velcroing provided fabric flap to the chair body.



Step 2: Place the chair body on a soft surface for assembly. Find the footrest hangers located in the foot-well of the chair body. Using the screwdriver provided, remove both footrest hanger bolts and save for later.



STEP 1: Carefully check box contents to the detail below, making sure all contents are accounted for. If anything is missing, please contact Kyota Massage Chairs at 800 242-0761. Do not return to the place of purchase.



Alternatively, scan the QR code to go directly to the URL above.
www.kyotamassagechairs.com/assembly-tutorials
 Before assembling your chair, watch an assembly video at:

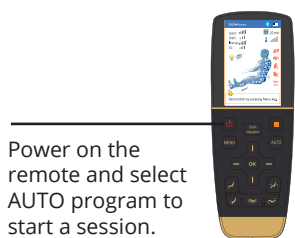
Step 13: To pair your wireless remote control, simultaneously hold down the **MENU** and **OK** buttons for 4 seconds. The screen will indicate that Bluetooth pairing has begun. If the connection is successful, the Bluetooth icon will light up in the top right corner of your remote control screen.

After pairing successfully, turn the remote control off and then on again to complete pairing procedure. Your wireless remote control is now ready to use to operate your massage chair.

When using the Wireless remote, please remember to turn on and off the remote, a long press of the power button is required.

Step 14: Your massage chair includes Bluetooth compatibility so you can play and enjoy your favorite music. To connect your Android or Apple device, go into your phone settings, navigate to Bluetooth settings and pair with the device named **Kyota M888#####**.

Final Check:



Power on the remote and select AUTO program to start a session.

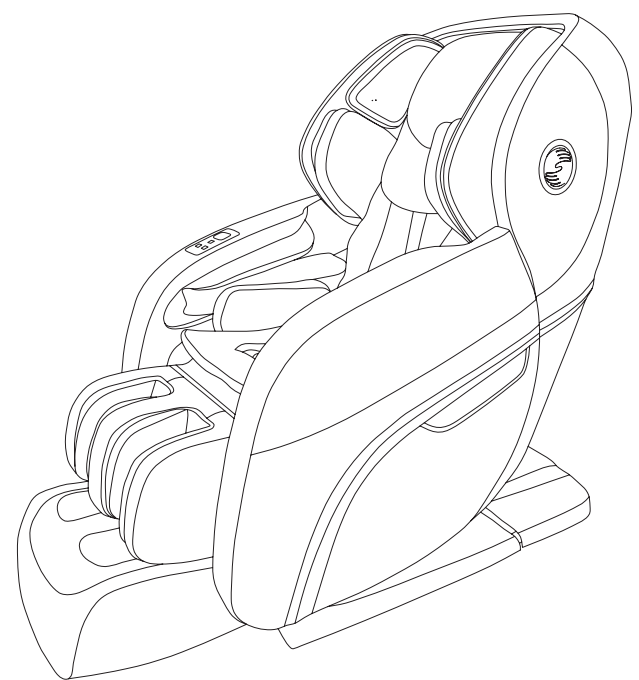
Review chair for smooth operation. If things are not operating correctly, review all assembly steps. Call Kyota support at 800 242-0761 if you need live US-based support.

You are done; time for a Massage!



Register your product at www.kyotamassagechairs.com/warranty/registration to ensure it is in our system. This will simplify the warranty process should you ever need it.
 Alternatively, scan the QR code to go directly to the URL above.

KYOTA | The World's Most Advanced Massage Chairs®

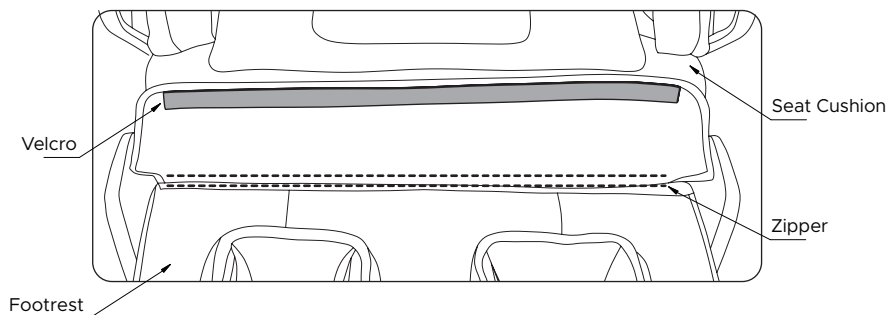


Assembly Guide

Kokoro M888 4D Massage Chair

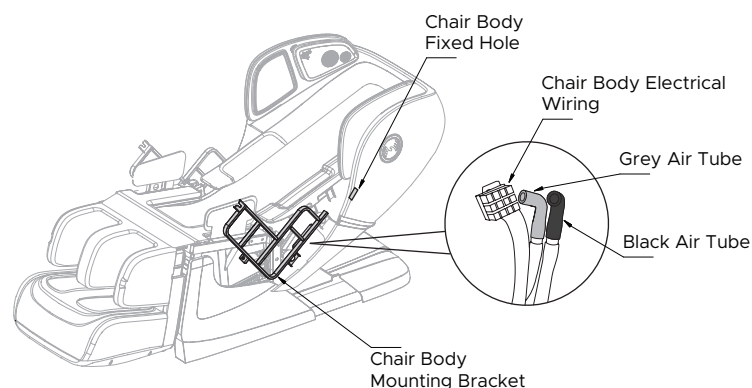
5 Step 5:

Attach the velcro tab on the top of the footrest flap to the velcro tab on the edge of the chair body seat cushion. Zipper the seat cushion and the footrest together as shown.



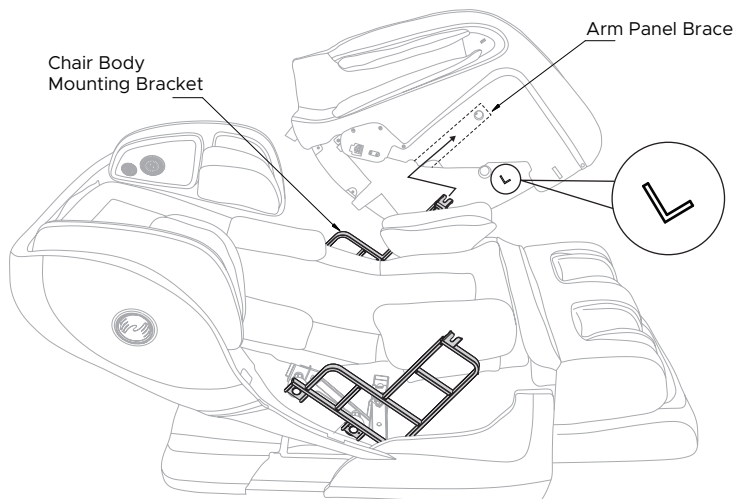
6 Step 6:

Take note of the location of the chair body fixed hole and chair body mounting bracket. Also locate the chair body electrical wiring (one cord on the left side of the chair body, two cords on the right side of the chair body) and air hoses, which can be found between the chair body mounting bracket and the side of the chair body.



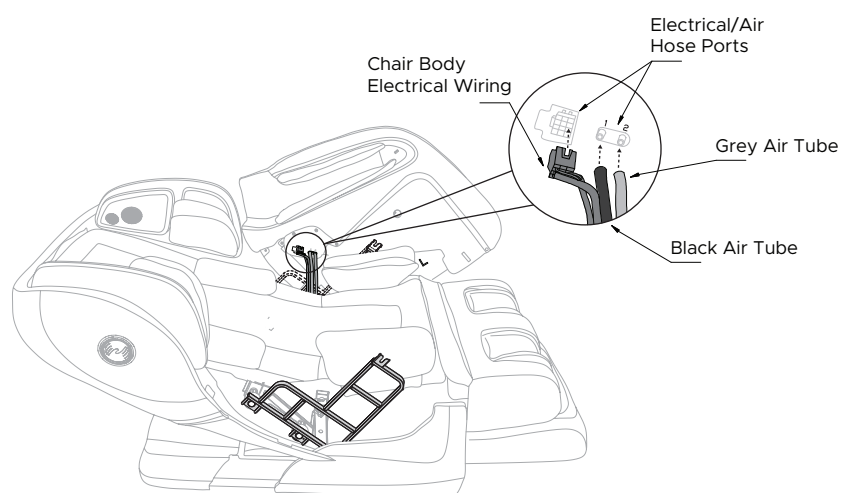
7 Step 7:

Determine the left arm panel from the right and place next to the correct side of the chair. Starting on the **left side**, lift up the arm panel, place the chair body mounting bracket into the brace inside the arm panel, and slide it halfway onto the chair body mounting bracket.



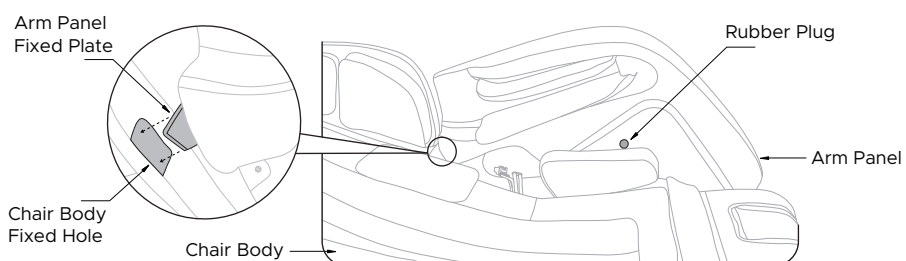
8 Step 8:

Holding the arm panel in place, reach in between the chair body and the arm panel and connect the chair body electrical plug and two air hoses to their respective ports on the arm panel. The black air hose connects to the air hose nozzle marked '1' and the Grey air hose connects to the air hose nozzle marked '2'.



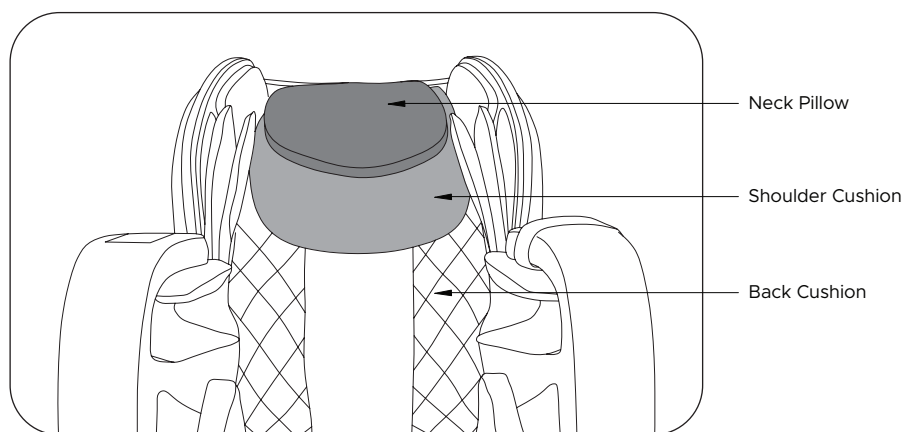
9 Step 9:

Slide the arm panel all the way onto the chair body mounting bracket until the arm panel fixed plate rests snugly in the chair body fixed hole. To secure the arm panel to the chair body, remove the rubber plug from the inside of the arm panel to reveal a screw. Using the screwdriver provided, tighten the screw. Once tightened, re-insert the rubber plug. **Repeat steps 7, 8, and 9** for the right arm panel - remembering there is an additional electrical wiring plug on the right side of the chair body.



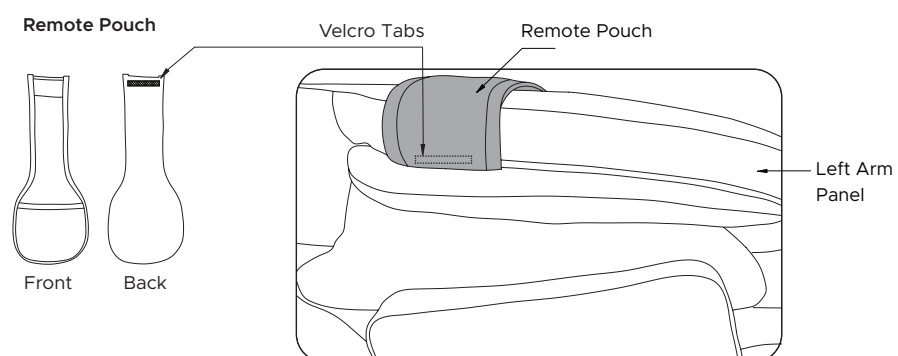
10 Step 10:

Place the shoulder cushion on top of the back cushion and attach it using the velcro tabs, then place the head pillow on top of the shoulder cushion and attach it by using the velcro tabs.



11 Step 11:

On the left arm panel, locate the velcro tab on the upper side of the inner airbag. Attach the remote control holder velcro to the arm panel velcro tab then drape the remote pouch over the outside of the arm panel.



12 Step 12:

Plug the power cord into the back of the chair and the other side into a grounded electrical outlet. Flip on the Main power switch and press the Power button on the quick access panel on the arm, until the chair uprights out of shipping position. (You may need to press power more than once).

