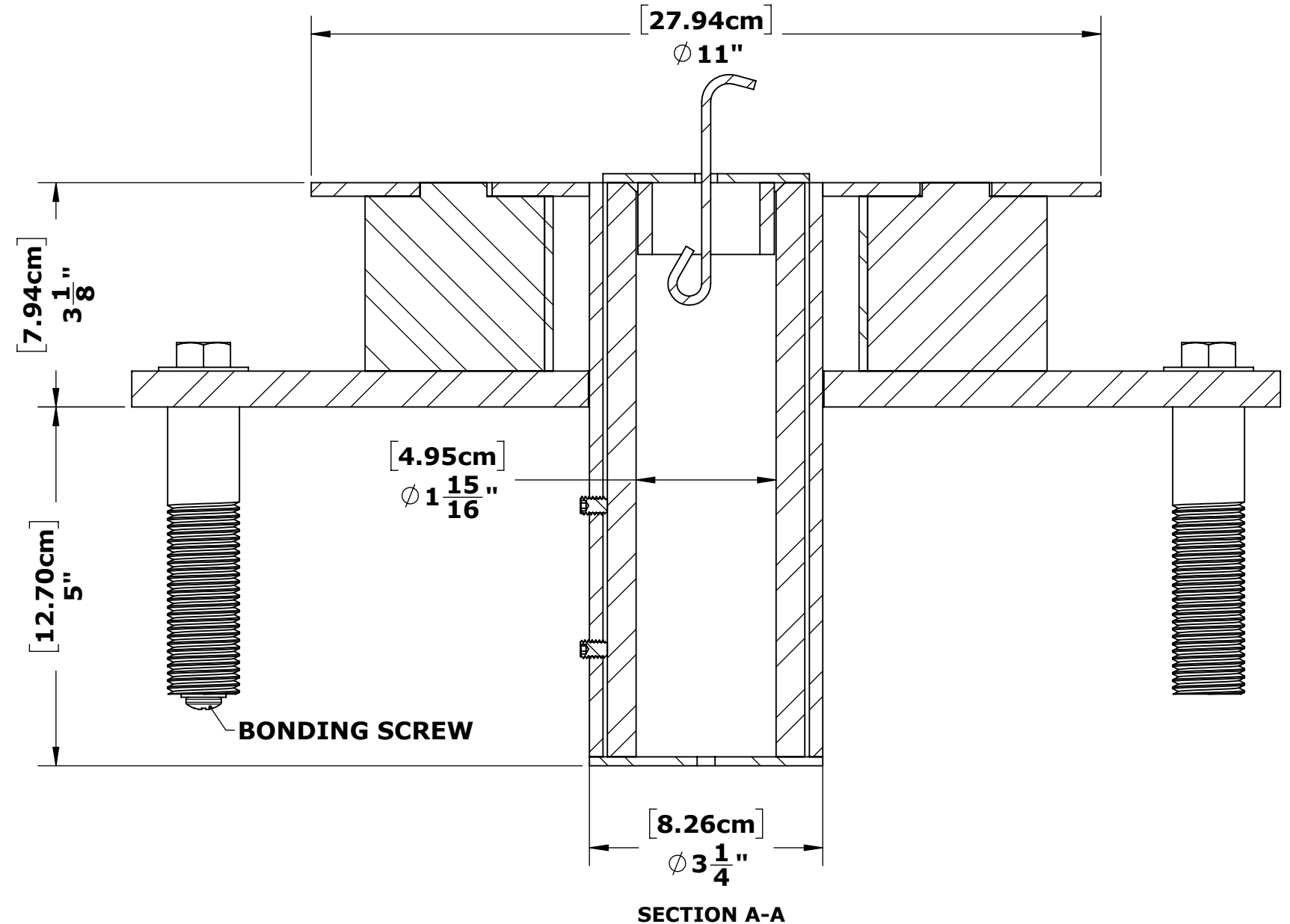
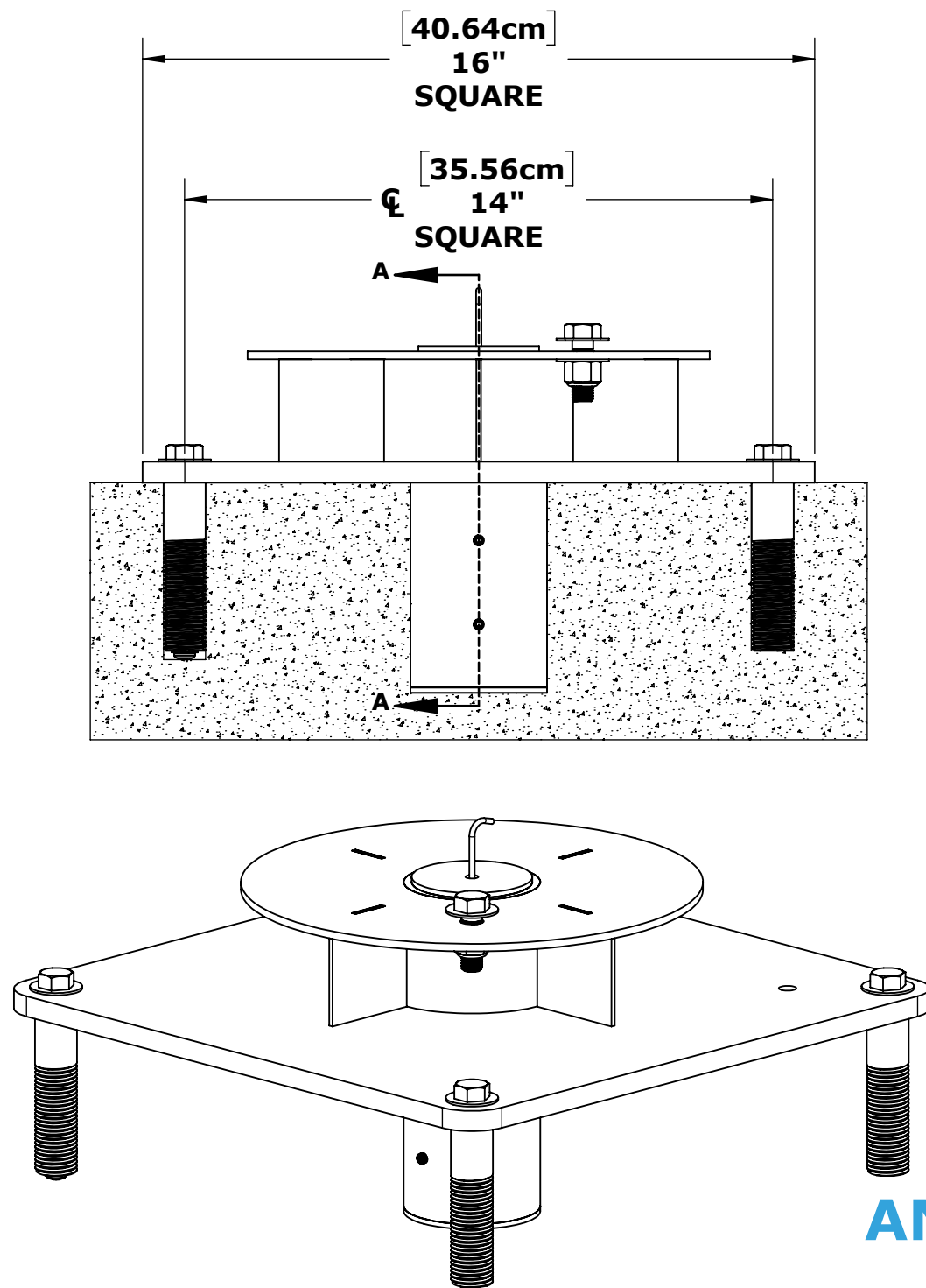


SPECIFICATIONS:

THE AQUA CREEK PRODUCTS' SCOUT & MIGHTY DECK ANCHOR SHALL BE DESIGNED TO BE INSTALLED IN A MINIMUM 6" THICK CONCRETE DECK. IT SHALL BE ANCHORED WITH FOUR (4) 1" X 4" LONG ANCHOR BOLTS AT 14" OC. THE DECK ANCHOR SHALL BE MADE ENTIRELY FROM TYPE 304 STAINLESS STEEL, WITH A BRONZE ANCHOR SLEEVE. THE DECK ANCHOR SHALL BE SUPPLIED WITH FOUR (4) ANCHOR BOLTS AND MOUNTING HARDWARE. THE SCOUT & MIGHTY DECK ANCHOR SHALL CARRY A LIMITED LIFETIME WARRANTY.



ANCHOR - SEMI-RECESSED
F-77SSA
PART NO. INV01489

MATERIAL: 304 STAINLESS STEEL
FINISH: POWDER COAT - WHITE
APPROX. WEIGHT: 57.92 LBS.



9889 GARRYMORE LANE
 MISSOULA, MT 59808
 (406) 549-0769
 FAX (406) 549-2602
 www.AquaCreek.com

PROPRIETARY AND CONFIDENTIAL INFORMATION

THIS DRAWING AND ALL INFORMATION CONTAINED HEREIN IS THE SOLE PROPERTY OF AQUA CREEK PRODUCTS LLC. ANY REPRODUCTION IN PART OR AS A WHOLE WITHOUT WRITTEN PERMISSION FROM AQUA CREEK IS PROHIBITED.

*SPECIFICATIONS ARE SUBJECT TO CHANGE WITHOUT NOTICE

REVISIONS			
REV.	DESCRIPTION	DATE	APPROVED
P1	INITIAL RELEASE	1/12/2022	J.MAXWELL

MODEL
P1
 REVISION

ANCHOR - SEMI-RECESSED - INV01489

51-163-220

SCALE
 1:2

SHEET
1