

**USE THIS MANUAL FOR PART #'s:**

**F-RNGR2 / F-ADMRL / F-PPXRD-NA / F-SCTXL / F-MTY400 / F-MTY600 /  
F-VGRPL / F-REVXL / F-REVXL-DD / F-006SLE / F-005SLU / F-PEZPL2 /  
F-194PHBL-NA**

**MANDATORY**

LEAVE THIS MANUAL WITH OWNER

Read and follow all instructions.  
Function can only be ensured if the Solar Panel is  
installed and operated according to these  
instructions.

**• FOR SAFETY REASONS**

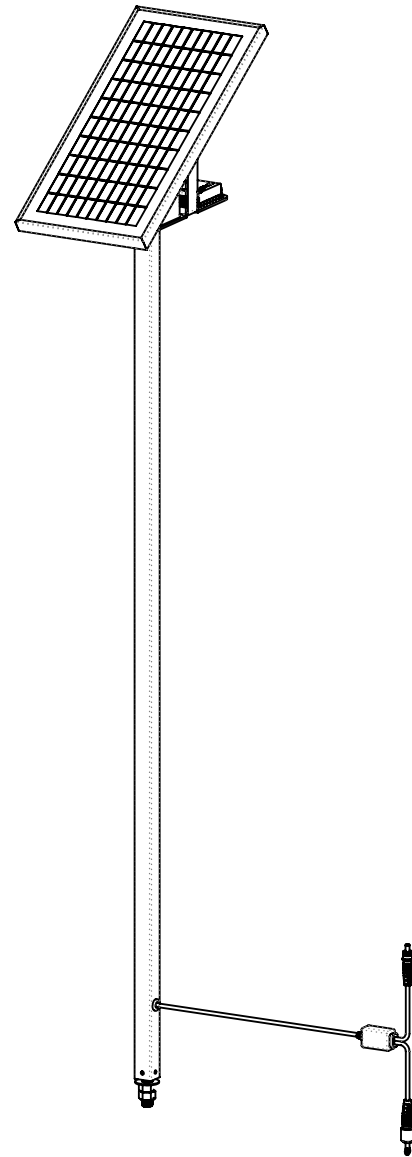
- **NEVER** swim alone
- **NEVER** use the lift with a dry pool
- **NEVER** apply direct water pressure to the electronics
- **NEVER** permit children to play on or around the lift
- **DO NOT** allow children to use the lift without adult supervision

**READ CAREFULLY**

Check entire box and all packing materials for parts. Before beginning assembly, read the instructions and identify parts using the figures and parts listed in this document.

It is critical that all parts be carefully inspected prior to installation. If any damage occurred in transit, Aqua Creek Products, LLC must be notified within three days of receipt of unit.

Proper installation cannot be overstressed, as an improper installation voids Aqua Creek's warranty and may affect the safety of the user.



**Aqua Creek Products, LLC**

9889 Garrymore Lane  
Missoula, MT 59808  
Toll Free: (888) 687-3552  
Local/Intnl: (406) 549-0769  
[www.aquacreek.com](http://www.aquacreek.com)



**Aqua Creek Products**

Leaders in Recreation, Fitness and Ability

**PRODUCT ORDER FORM**

**ACCESSORY - UNIVERSAL SOLAR PANEL - INV03224**

PART NO.	QTY.	REV.	DESCRIPTION	REPLACEMENT PARTS
INV03223	1	P1	WELDMENT - SOLARMADE PANEL BRACKET	
INV01674	1	P1	SOLAR CHARGER - CONTROLLER	
INV03252	1	P1	DC WATERPROOF STEP UP CONVERTER	
INV00219	1	P1	SOLAR CHARGER - WAGO 3 LEVER CONNECTOR	
INV00218	4	P1	SOLAR CHARGER - WAGO 2 LEVER CONNECTOR	
INV00220	1	P1	SOLAR CHARGER - WAGO CONNECTOR HOUSING	
INV01154	1	P1	CABLE - SOLAR CHARGER - W/FUSE	
INV00103	1	P1	PLUG - DC PORT DUMMY - (LINAK)	
INV00610	1	P1	GROMMET - 1/2 ID x 5/8 OD	
INV03221	1	P1	SOLARMADE 10W 12V PANEL	
INV03271	2	P1	L-BRACKETS, PLASTIC, WHITE	
INV00724	2	P1	NH - 1/2"-13 HEX NUT	
INV01169	1	P1	WF - 1/2" FLAT WASHER	
INV00741	4	P1	NN - #4-40 NYLOCK NUT	
INV00367	4	P1	BOLT - FH - #4-40 x 1/2 - PHILLIPS	
INV00736	6	P1	NN - #10-24 NYLOCK NUT	
INV03283	6	P1	BSH - #10-24x1/2" SOCKET HEAD BOLT	
INV01879	1	P1	LASER/WJ - MIGHTY SOLAR BRACKET	
INV01170	4	P1	WF - 1/4" FLAT WASHER	
INV00735	2	P1	NN - 1/4"-20 NYLOCK NUT	
INV01878	2	P1	BB - 1/4"-20X5" BUTTON HEAD BOLT	
INV00348	2	P1	BB - 1/4"-20X3" BUTTON HEAD BOLT	

For Service and/or replacement parts, contact Aqua Creek Products, LLC.  
 Toll Free: (888) 687-3552 Local/Intnl: (406) 549-0769 [www.AquaCreek.com](http://www.AquaCreek.com)



**Aqua Creek Products**

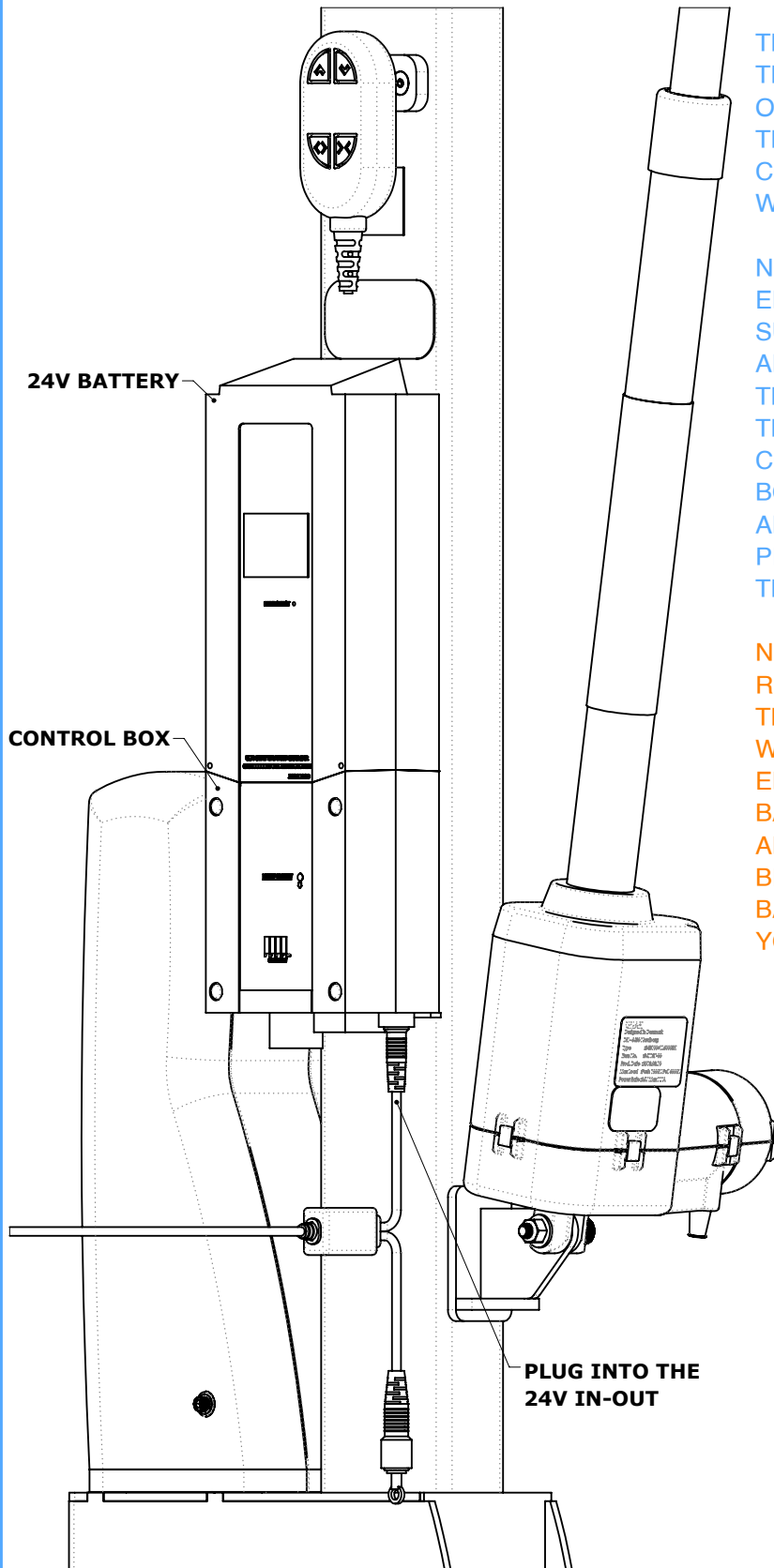
Leaders in Recreation, Fitness and Ability

## PRODUCT ASSEMBLY

THE CHARGER CABLE GETS PLUGGED INTO THE 24V IN-OUT BOX WHICH IS LOCATED OPPOSITE OF THE ACTUATOR PLUG. RUN THE CABLE ALONG THE SIDE OF THE CONTROL BOX BRACKET SO IT IS OUT OF THE WAY.

NOTE: MAKE SURE THE PLUG IS FULLY ENGAGED INTO THE CONTROL BOX. MAKE SURE THE LIGHTS COME ON (SEE NEXT PAGE) AND THE LIFT FUNCTIONS NORMALLY WHEN THE 24V SOLAR CHARGER IS INSTALLED. IF THE LIFT DOES NOT FUNCTION, CHECK ALL CONNECTIONS GOING INTO THE CONTROL BOX AND MAKE SURE THEY ARE PRESSED ALL THE WAY IN. WHEN INSTALLED PROPERLY THE BATTERY WILL CHARGE AS THE LIFT OPERATES SIMULTANEOUSLY.

NOTE: THE SOLAR PANEL IS NOT A REPLACEMENT FOR THE REGULAR CHARGER. THE BATTERY NEEDS TO BE PLACED ON THE WALL MOUNT CHARGER PERIODICALLY TO ENSURE A FULL CHARGE AND A LONGER BATTERY LIFE. THE SOLAR PANEL SIMPLY ALLOWS FOR A LONGER SPAN OF TIME BETWEEN REGULAR CHARGES. FOLLOW THE BATTERY MAINTENANCE INSTRUCTIONS IN YOUR LIFT OWNER'S MANUAL.

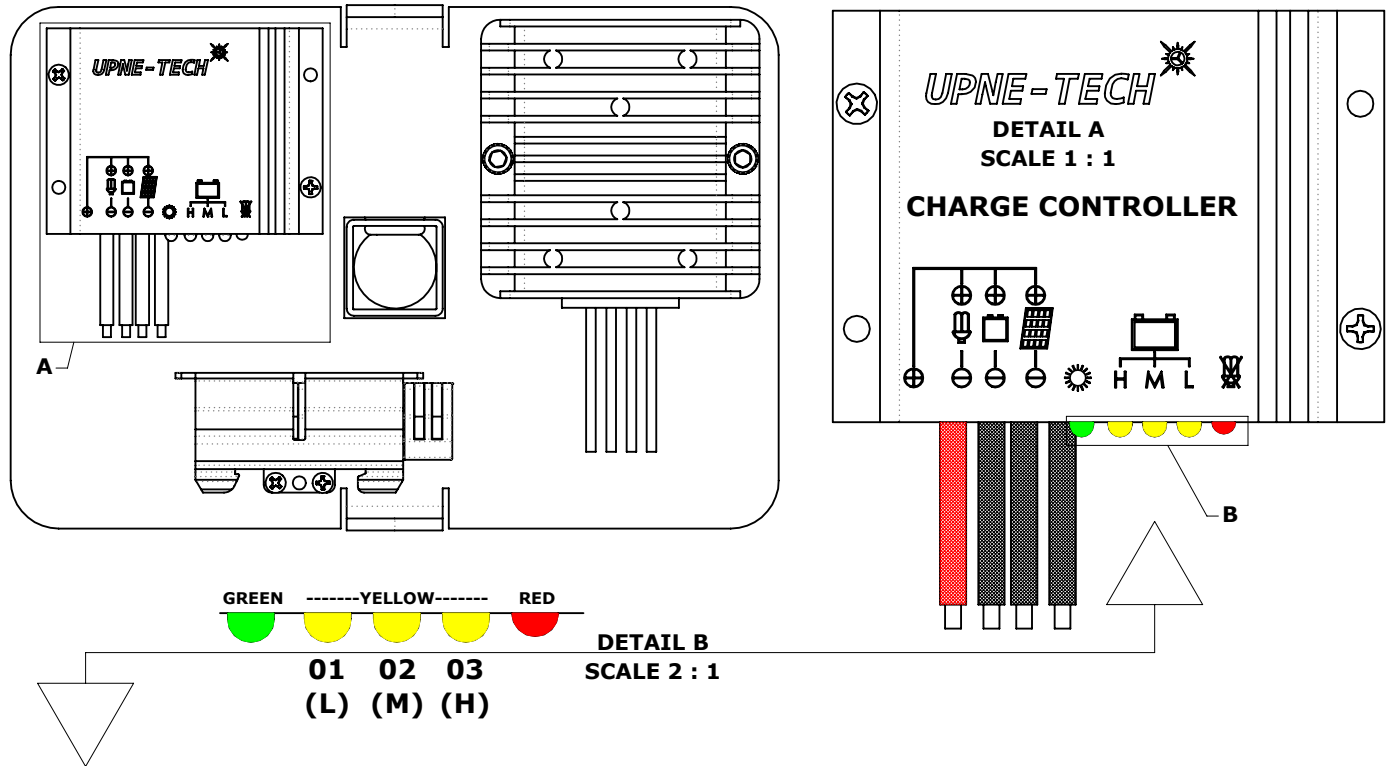




**Aqua Creek Products**

Leaders in Recreation, Fitness and Ability

**PRODUCT FUNCTION**



CHARGE CONTROLLER - STATUS/FUNCTION		
LED LIGHT	STATUS	FUNCTION
GREEN LED	ON	MAIN CHARGE DURING DAYTIME
	SLOW FLASH	*FLOAT CHARGE
	FAST FLASH	EQUALIZATION CHARGE
	OFF	CONTROLLER CONNECTED TO BATTERY, NIGHT DETECTED
YELLOW LED	YELLOW LED 01 ON (L)	BATTERY POWER LOW (LOW)
	YELLOW LED 02 ON (M)	BATTERY POWER MEDIUM (M)
	YELLOW LED 03 ON (H)	BATTERY POWER HIGH (H)
RED LED	OFF	NORMAL OPERATION
	FLASH	OVERLOAD OR SHORT-CIRCUIT OF LOAD

ONCE THE SOLAR CHARGER HAS BEEN INSTALLED AND PLUGGED INTO THE CONTROL BOX, AND THERE IS SUFFICIENT DAYLIGHT, THE 24V SOLAR CHARGER WILL TURN ON AND START TRICKLE-CHARGING THE BATTERY.

WHEN A 24V BATTERY IS INSTALLED ONTO THE LIFT, AND THERE IS SUFFICIENT DAYLIGHT, THE GREEN LED WILL TURN ON TO SHOW A 24V BATTERY HAS BEEN DETECTED AND THE CHARGER IS OPERATIONAL. IF A FULLY CHARGED BATTERY IS BEING USED, THE YELLOW LED MARKED "H" WILL LIGHT UP AS WELL. IF A NON-FULLY CHARGED BATTERY IS BEING USED, EITHER THE YELLOW LED MARKED "M" OR THE YELLOW LED MARKED "L" WILL TURN ON, DEPENDING ON HOW DRAINED THE BATTERY IS.

SEE THE TABLE IN THE IMAGE ABOVE FOR MORE DESCRIPTIONS ON WHAT ALL OF THE LED LIGHTS MEAN WHEN THEY ARE EITHER ON OR OFF.

THE 24V SOLAR CHARGER WILL CONTINUE TO CHARGE THE BATTERY, EVEN AS THE LIFT IS BEING USED. ONCE THE 24V SOLAR CHARGER HAS BEEN INSTALLED IT WILL FUNCTION WITHOUT ANY NEED FOR ADJUSTMENT. THE USER SHOULD CHECK THE INDICATORS PERIODICALLY TO MAKE SURE IT IS WORKING.

\*A METHOD OF MAINTAINING A CELL OR BATTERY IN A CHARGED CONDITION BY CONTINUOUS, LONG-TERM, CONSTANT VOLTAGE CHARGING AT A LEVEL SUFFICIENT TO BALANCE SELF-DISCHARGE.



**Aqua Creek Products**

Leaders in Recreation, Fitness and Ability

## LINAK BATTERY MAINTENANCE

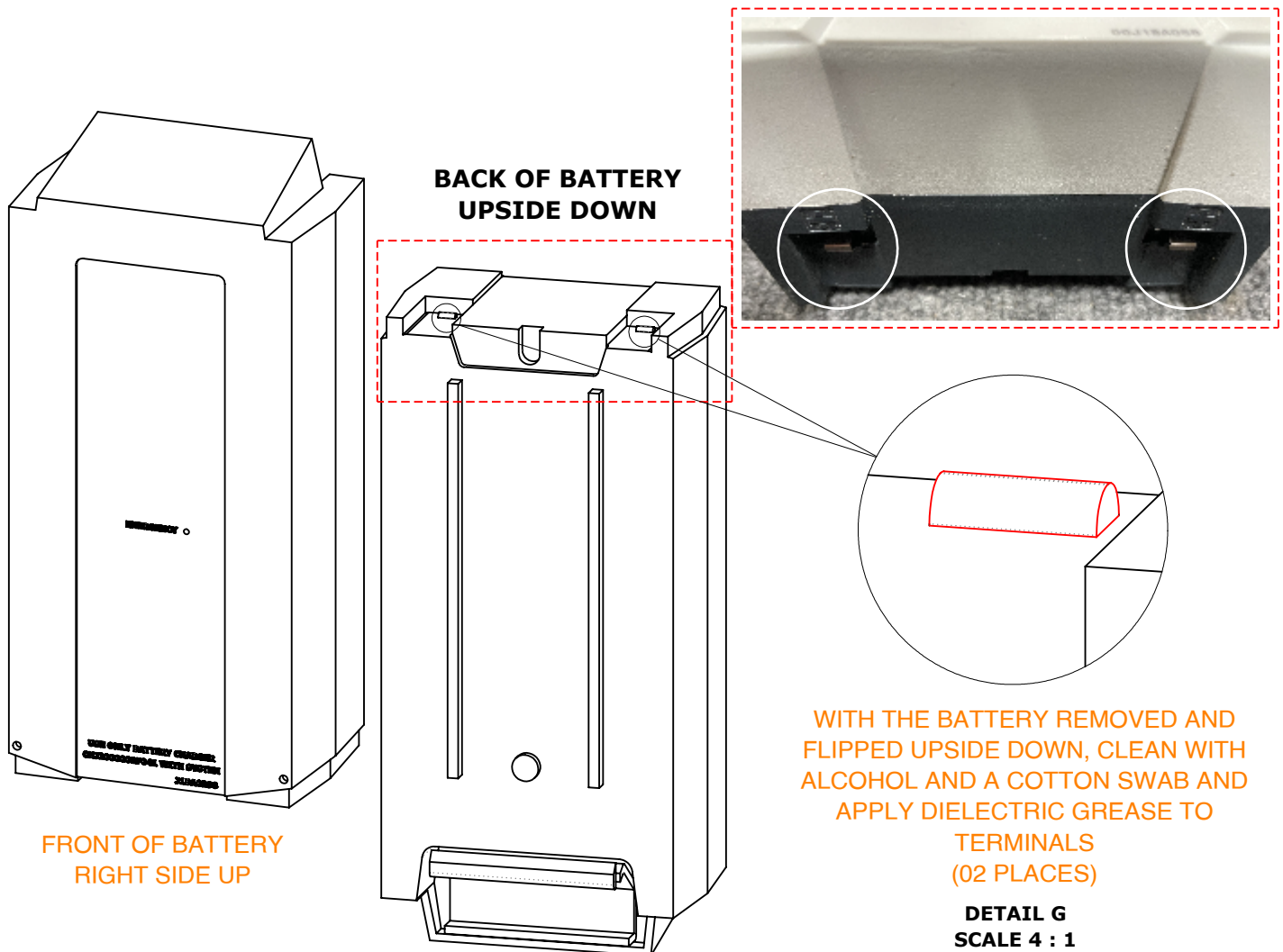
**DO NOT** EXPOSE THE BATTERY TO FREEZING TEMPERATURES.

**DO NOT** EXPOSE THE BATTERY TO PROLONGED PERIODS OF EXTREME HEAT OR SEVERE COLD TEMPERATURES.

**DO NOT** EXPOSE THE BATTERY TO LONG PERIODS OF DIRECT SUNLIGHT. HEAT WILL SHORTEN YOUR BATTERY LIFE. OPTIMUM OPERATING TEMPERATURE IS BELOW 20 DEGREES CELSIUS (68 DEGREES F.) AQUA CREEK RECOMMENDS A BATTERY COVER BE USED WITH SOLAR CHARGERS SINCE THE BATTERY IS LEFT ON THE LIFT FOR EXTENDED PERIODS OF TIME.

**NEVER** DROP OR BUMP THE BATTERY PACK. THIS MAY RESULT IN LOOSE OR DAMAGED INTERNAL CONNECTIONS, AND MAY DAMAGE THE BATTERY TERMINALS.

**KEEP** BATTERY TERMINALS CLEAN AND FREE FROM DIRT AND CORROSION TO ENSURE GOOD CONTACT. THE TERMINALS MAY BE CLEANED USING ALCOHOL AND A COTTON SWAB. CLEAN OFF ANY CORROSION OR DISCOLORATION OF THE BATTERY CONTACTS WITH A SCOTCH-BRITE™ PAD AND THEN APPLY DIELECTRIC GREASE (SUPPLIED WITH LIFT) AS SHOWN IN THE FIGURE BELOW.





**Aqua Creek Products**

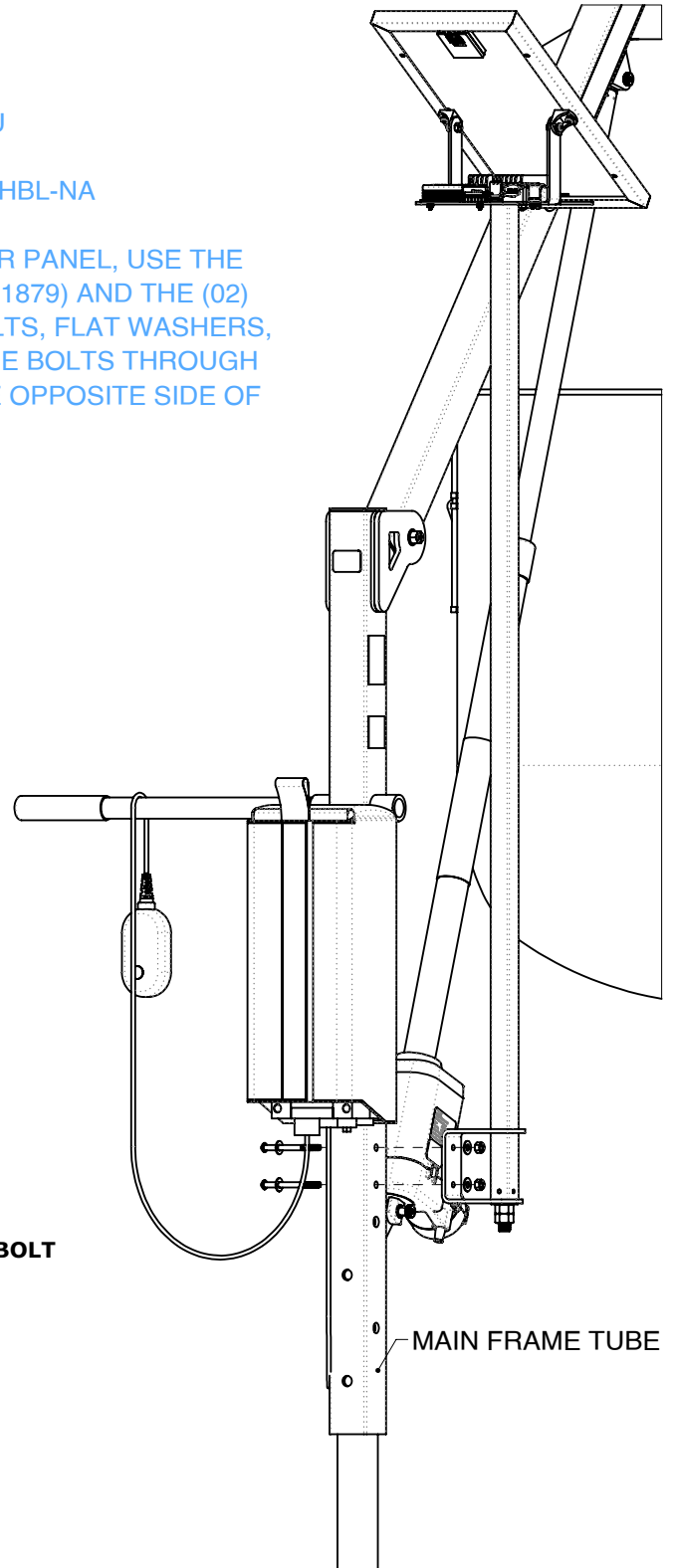
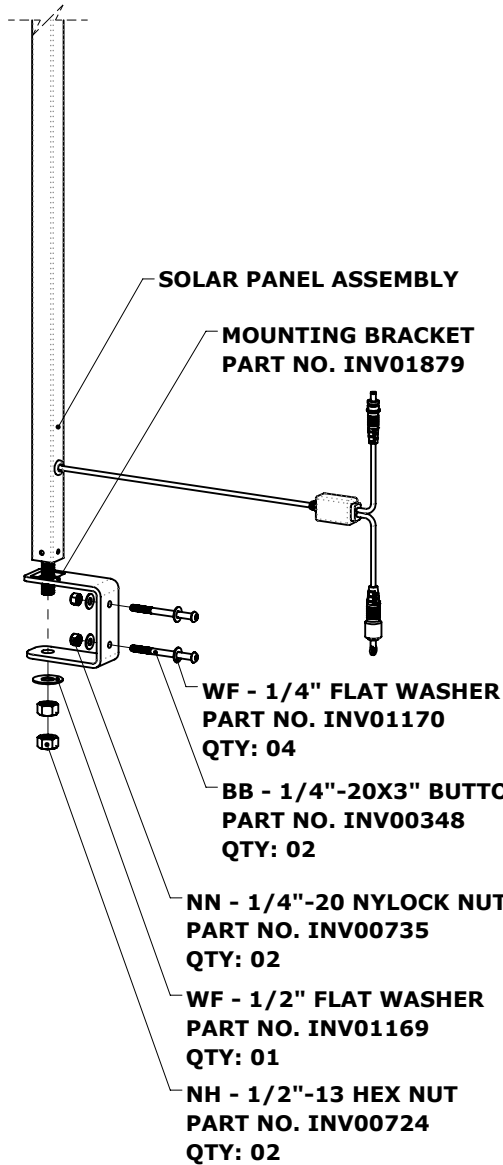
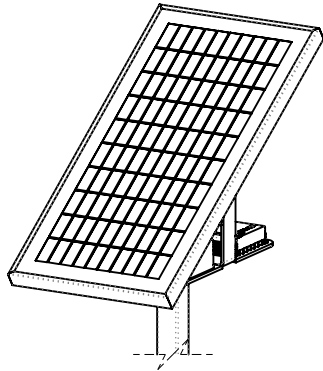
Leaders in Recreation, Fitness and Ability

## PRODUCT ASSEMBLY

### LIFT INSTALLATIONS:

SPA LIFT ELITE - F-006SLE  
SPA LIFT ULTRA - F-005SLU  
POWER EZ 2 - F-PEZPL2  
SUPER POWER EZ - F-194PHBL-NA

TO INSTALL THE 24V SOLAR PANEL, USE THE MOUNTING BRACKET (INV01879) AND THE (02) TWO 3" BUTTON HEAD BOLTS, FLAT WASHERS, AND LOCK NUTS. PASS THE BOLTS THROUGH THE BRACKET AND TO THE OPPOSITE SIDE OF THE MAIN FRAME TUBE.





**Aqua Creek Products**

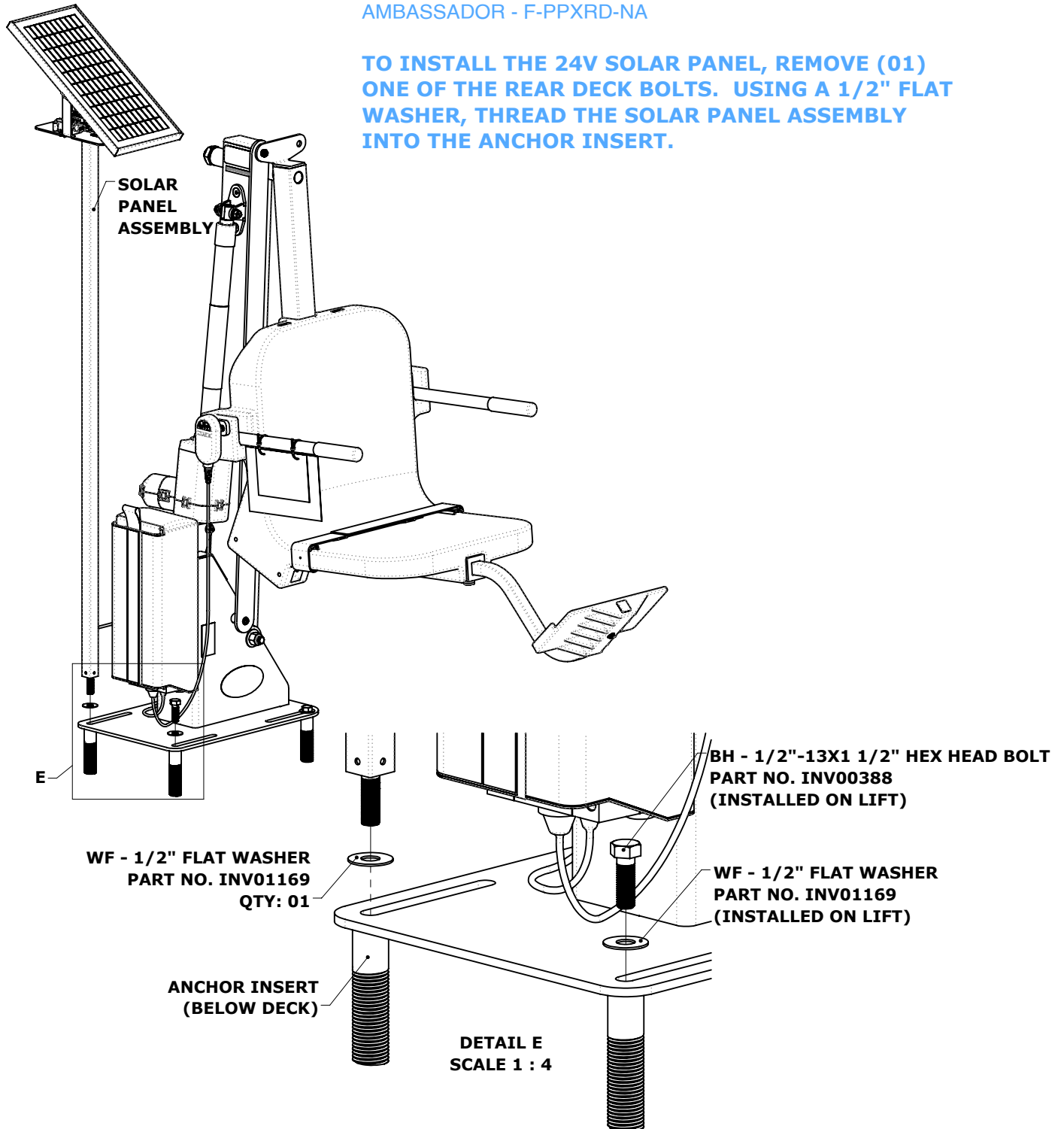
Leaders in Recreation, Fitness and Ability

## PRODUCT ASSEMBLY

### **LIFT INSTALLATIONS:**

RANGER 2 - F-RNGR2  
ADMIRAL F-ADMRL  
AMBASSADOR - F-PPXRD-NA

**TO INSTALL THE 24V SOLAR PANEL, REMOVE (01) ONE OF THE REAR DECK BOLTS. USING A 1/2" FLAT WASHER, THREAD THE SOLAR PANEL ASSEMBLY INTO THE ANCHOR INSERT.**





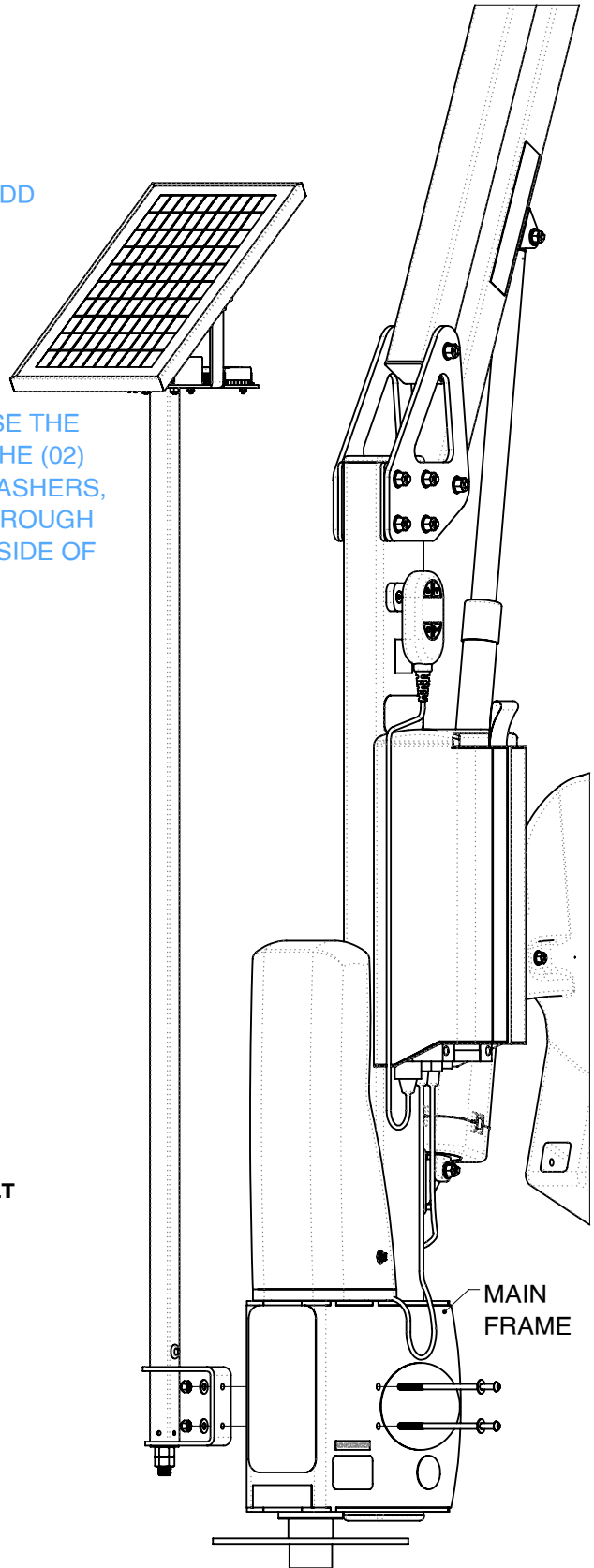
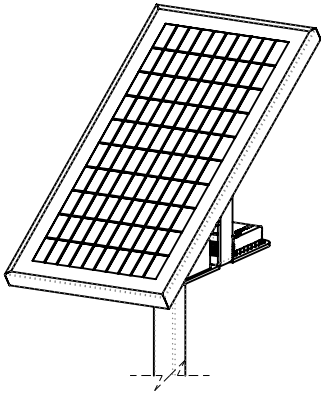
**Aqua Creek Products**

Leaders in Recreation, Fitness and Ability

## PRODUCT ASSEMBLY

### **LIFT INSTALLATIONS:**

MIGHTY 400 - F-MTY400  
MIGHTY 600 - F-MTY600  
REVOLUTION XL - F-REVXL  
REVOLUTION XL-DD - F-REVXL-DD  
SCOUT EXCEL - F-SCTXL



TO INSTALL THE 24V SOLAR PANEL, USE THE MOUNTING BRACKET (INV01879) AND THE (02) TWO 5" BUTTON HEAD BOLTS, FLAT WASHERS, AND LOCK NUTS. PASS THE BOLTS THROUGH THE BRACKET AND TO THE OPPOSITE SIDE OF THE MAIN FRAME.

**SOLAR PANEL ASSEMBLY**

**MOUNTING BRACKET  
PART NO. INV01879**

**WF - 1/4" FLAT WASHER  
PART NO. INV01170  
QTY: 04**

**BB - 1/4"-20X5" BUTTON HEAD BOLT  
PART NO. INV01878  
QTY: 02**

**NN - 1/4"-20 NYLOCK NUT  
PART NO. INV00735  
QTY: 02**

**WF - 1/2" FLAT WASHER  
PART NO. INV01169  
QTY: 01**

**NH - 1/2"-13 HEX NUT  
PART NO. INV00724  
QTY: 02**

**MAIN  
FRAME**





**Aqua Creek Products**

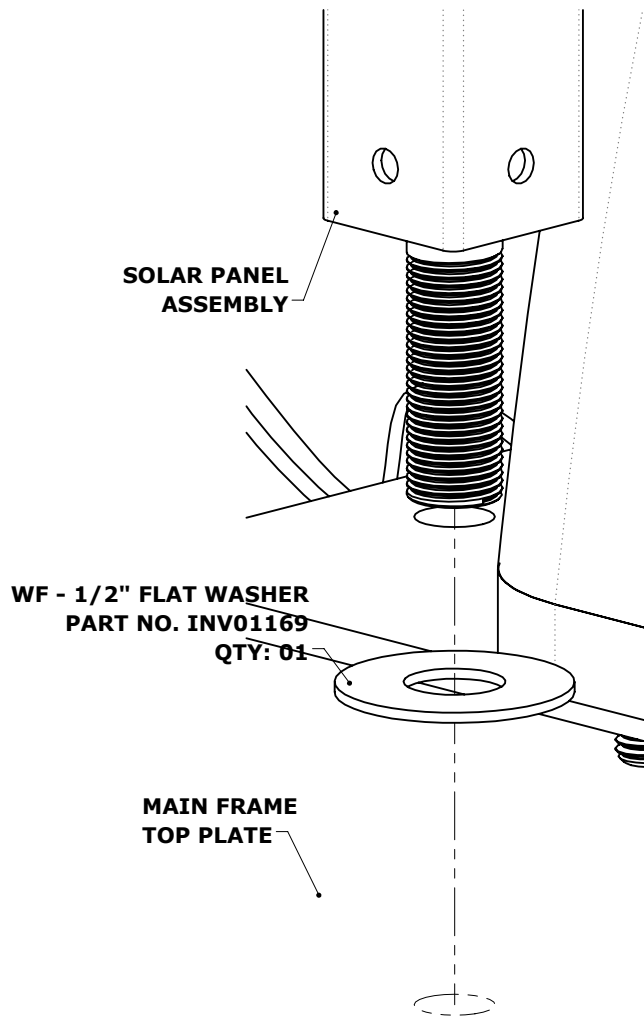
Leaders in Recreation, Fitness and Ability

## PRODUCT ASSEMBLY

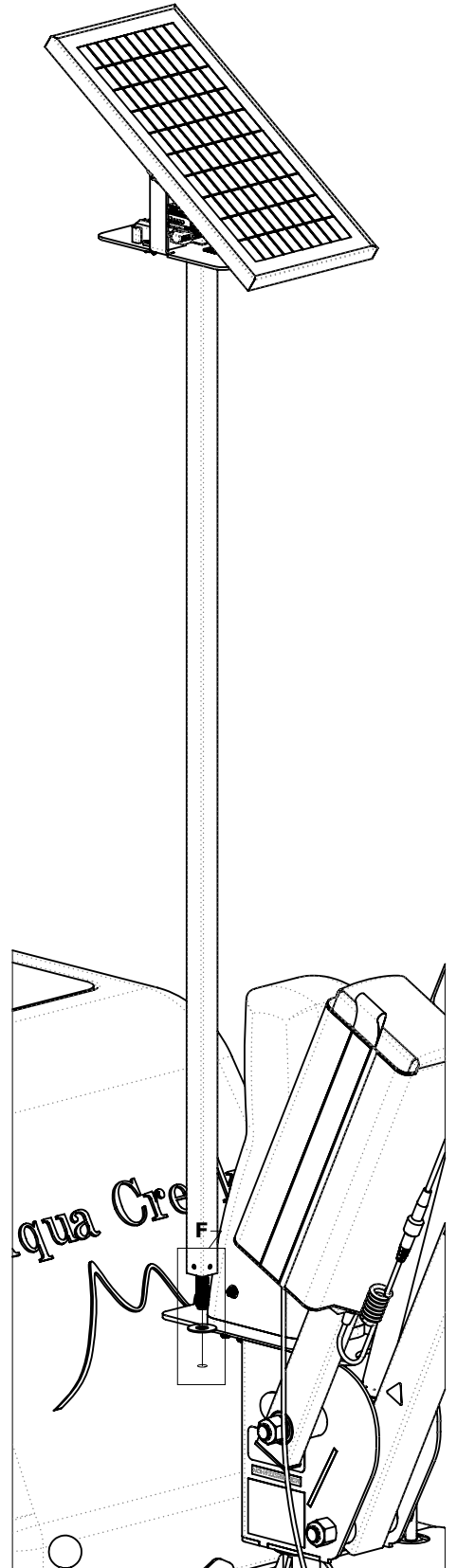
### **LIFT INSTALLATIONS:**

MIGHTY VOYAGER - F-VGRPL

TO INSTALL THE 24V SOLAR PANEL, USE A 1/2" FLAT WASHER, THREAD THE SOLAR PANEL ASSEMBLY INTO THE BACK OF THE MAIN FRAME TOP PLATE.



DETAIL F  
SCALE 1 : 1





# Aqua Creek Products

Leaders in Recreation, Fitness and Ability

## PRODUCT ASSEMBLY

### ACCESSORY - UNIVERSAL SOLAR PANEL - INV03224

PART NO.	QTY.	REV.	DESCRIPTION
INV03106	1	P2	SOLAR ANGLE BRACKET ADAPTER

#### **LIFT INSTALLATIONS:**

**\*FOR LIFTS MANUFACTURED  
PRIOR TO MAY 2023 ONLY.**

**\*AVAILABLE UPON REQUEST.**

SCOUT 2 - F-802SC2

SCOUT EXCEL - F-SCTXL

REVOLUTION - F-702RLNA

REVOLUTION XL - F-REVXL

REVOLUTION DD - F-702RLNA-DD

REVOLUTION XL-DD - F-REVXL-DD

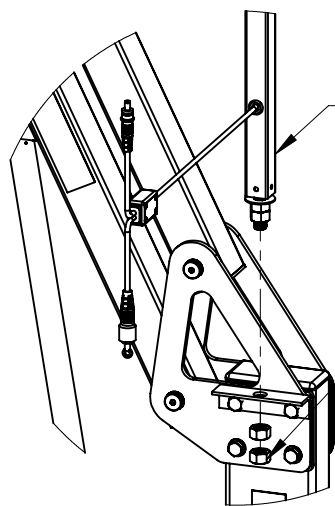
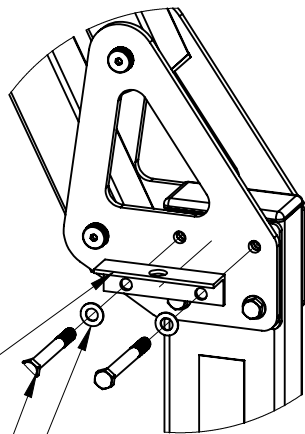
TO INSTALL THE SOLAR ANGLE BRACKET ADAPTER, USE THE EXISTING HARDWARE FROM THE LIFTING ARM ASSEMBLY BRACKET (INV00411 X2, AND INV01174 X2).

THE SOLAR ANGLE BRACKET ADAPTER MAY BE MOUNTED TO EITHER SIDE OF THE LIFT'S MAST ASSEMBLY.

**SOLAR ANGLE BRACKET ADAPTER  
PART NO. INV03106  
QTY: 01**

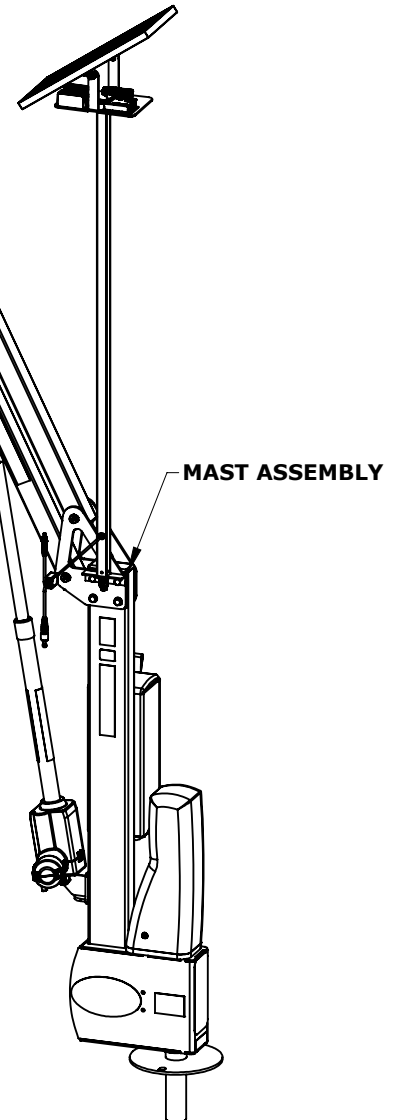
**BH - 3/8"-16X3 1/2" HEX HEAD BOLT  
PART NO. INV00411**

**WF - 3/8" FLAT WASHER  
PART NO. INV01174**



**SOLAR PANEL ASSEMBLY**

**NH - 1/2"-13 HEX NUT  
PART NO. INV00724  
QTY: 02**





**Aqua Creek Products**

—Leaders in Recreation, Fitness and Ability—

## LIMITED ONE (1) YEAR WARRANTY

Aqua Creek Products, LLC (a.k.a. Aqua Creek) warrants to the original end user purchaser that products manufactured by Aqua Creek, when properly installed in accordance with assembly and installation instructions and properly used and maintained, shall be free from defects in material and workmanship for a period of **one (1) year from the date of original purchase**, provided that Aqua Creek receives prompt notice in writing of any defect or failure and satisfactory proof thereof, with the following exceptions:

**Exceptions:**

- This warranty specifically excludes reimbursement for labor to remove, repair, or install the product and any freight charges.
- This warranty does not cover any damages due to accident, force majeure, act of nature, misuse, abuse, negligence or failure to properly maintain any products, or normal wear and tear from day to day operations.
- In the event that any products are altered, repaired, or improperly installed by anyone without the prior written approval by Aqua Creek, all warranties are void.

To initiate a warranty claim, the owner of an Aqua Creek product must provide the place of purchase, in writing, with a full description of the product, its serial number, the dates of purchase and installation, and the exact nature of the defect. Within thirty (30) days after receipt of a written warranty claim by Aqua Creek, and barring any unforeseen delays, the place of purchase will be notified of Aqua Creek's decision regarding the claim. All warranty calculations are from date of original purchase at manufacturer's suggested retail price. Non-payment for product to Aqua Creek may void warranty.

If requested by Aqua Creek, any defective product must be returned, freight prepaid by customer, to Aqua Creek's designated factory location or duly appointed distributor for inspection and/or repair. Aqua Creek will, at its option, repair or replace the failed or defective item, and deliver the repaired product or replacement to the customer. All freight charges are the responsibility of the customer. Products returned to Aqua Creek for which Aqua Creek provides replacement under this limited warranty shall become the property of Aqua Creek. A new warranty period shall **NOT** be established for the repaired or replaced products. Such products shall remain under warranty only for the remainder of the original warranty period on the original products purchased.

This written limited warranty constitutes the final, complete and exclusive statement of warranty terms. No person or organization is authorized to make any other specific or implied warranties or representations on behalf of Aqua Creek.

**THE WARRANTIES SET FORTH HEREIN ARE IN LIEU OF ALL OTHER WARRANTIES, EXPRESSED OR IMPLIED, WHICH ARE HEREBY DISCLAIMED AND EXCLUDED, INCLUDING WITHOUT LIMITATION ANY WARRANTY OF MERCHANTABILITY OR FITNESS FOR A PARTICULAR PURPOSE OR USE.**

**THE SOLE AND EXCLUSIVE REMEDIES FOR BREACH OF ANY AND ALL WARRANTIES WITH RESPECT TO THE PRODUCTS SHALL BE LIMITED TO REPAIR OR REPLACEMENT AT AQUA CREEK'S DESIGNATED FACTORY LOCATION, OR DULY APPOINTED DISTRIBUTOR, OR IN PLACE AT AQUA CREEK'S OPTION. IN NO EVENT SHALL AQUA CREEK'S LIABILITY EXCEED THE ENTIRE AMOUNT PAID TO AQUA CREEK BY THE ORIGINAL PURCHASER FOR THE FAILED OR DEFECTIVE PRODUCT.**

**IN NO EVENT SHALL AQUA CREEK PRODUCTS, LLC BE LIABLE FOR ANY INCIDENTAL, CONSEQUENTIAL, SPECIAL, INDIRECT, PUNITIVE OR EXEMPLARY DAMAGES OR LOST PROFITS FROM ANY BREACH OF THIS LIMITED WARRANTY OR OTHERWISE.**