

EVID Pendant Speaker

EVID-P6.2B | EVID-P6.2W



Table of contents

1	Safety	4
1.1	Notices	4
2	Introduction	6
2.1	Product information	6
2.2	Packing list	7
2.3	Pendant suspension cable	7
3	Installation	8
3.1	Installing with the threaded rod adapter – optional accessory	10
3.2	Installing the weather cover – optional accessory	11
4	Wiring	13
4.1	Step 1 – Attach wiring to the terminal connector	13
4.2	Step 2 – Adjust tap selector	14
4.3	Step 3 – Attach the grille	14
5	Troubleshooting	16
6	Technical data	17

1 Safety



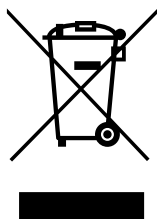
Warning!

Suspending any object is potentially dangerous and should only be attempted by individuals who have a thorough knowledge of the techniques and regulations of suspending objects overhead. Electro-Voice strongly recommends that loudspeakers be suspended taking into account all current national, federal, state, and local laws and regulations. It is the responsibility of the installer to ensure all loudspeakers are safely installed in accordance with all such requirements. When loudspeakers are suspended, Electro-Voice strongly recommends the system be inspected at least once per year or as laws and regulations require. If any sign of weakness or damage is detected, remedial action should be taken immediately. The user is responsible for making sure the wall, ceiling, or structure is capable of supporting all objects suspended overhead. Any hardware used to suspend a loudspeaker not associated with Electro-Voice is the responsibility of others.

Suspension cable important safety instructions:

- Load* - Do not exceed the **WLL** (Working Load Limit) of the pendant suspension cable. The WLL of the pendant suspension cable is 10 kg (22 lb).
- No lifting* - Do not use for lifting, such as in a crane or pulley situation.
- No movement* - The pendent suspension cable is to be used to suspend static loads only. Do not use the cable to suspend moving objects or objects likely to be subject to movement.
- No joining* - Do not splice together the pendent suspension cable with another cable or other joining device. The pendent suspension cable as supplied is the maximum length available and should not be altered in any way.
- Not for re-use* - Do not re-use the pendent suspension cable; it is designed for permanent fixed installation use only.
- Lubricants* - Do not apply oil or any other lubricant to any part of the assembly.
- Round duct/pipes* - When wrapping around duct or other round pipes, do not exceed an angle of 60 degrees between the top of the pipe and the pendent suspension cable.
- I-Beams* - Minimum radius on I-Beams to be no less than 1/8-inch.
- Corners/edges* - Cables in contact with corners, edges, protrusions, or abrasive surfaces shall be protected with a material of sufficient strength, thickness, and construction to prevent damage.

1.1



Notices

Old electrical and electronic appliances

Electrical or electronic devices that are no longer serviceable must be collected separately and sent for environmentally compatible recycling (in accordance with the European Waste Electrical and Electronic Equipment Directive).

To dispose of old electrical or electronic devices, you should use the return and collection systems put in place in the country concerned.

Copyright and disclaimer

All rights reserved. No part of this document may be reproduced or transmitted in any form by any means, electronic, mechanical, photocopying, recording, or otherwise, without the prior written permission of the publisher. For information on getting permission for reprints and excerpts, contact Electro-Voice.

All content including specifications, data, and illustrations in this manual are subject to change without prior notice.

2 Introduction

The EVID-P6.2 Pendant Loudspeaker provides a convenient way to equip open ceiling spaces with sound where conventional surface or ceiling mount speakers cannot be used. It's ideal for use in a wide variety of environments and spaces to provide background speech and music.

The EVID-P6.2 Pendant Loudspeaker is UL1480A and CSA C22.2 certified for indoor installations and protected outdoor installations.

Read through this manual to familiarize yourself with the safety information, features, and applications before you use these products.

2.1 Product information

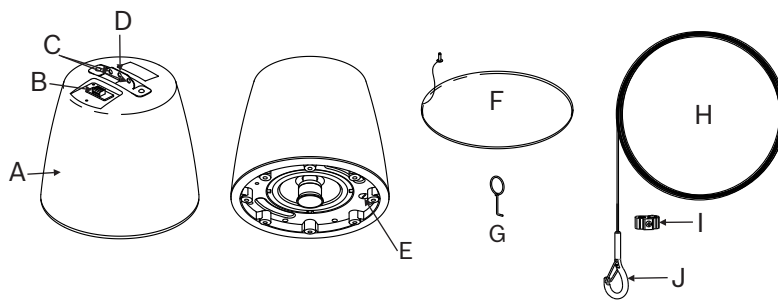


Figure 2.1: Product identification

Item	Component
A	Pendant speaker
B	Input terminal
C	Secondary auxiliary support
D	Main suspension tab
E	Tap selector
F	Grille (installed)
G	Grille removal tool
H	Pendant suspension cable
I	Coupler
J	Support hanger

2.2 Packing list

Quantity	Component
1	Pendant speaker
1	Grille (installed)
1	Grille removal tool
1	Pendant suspension cable
1	Coupler
1	Installation manual

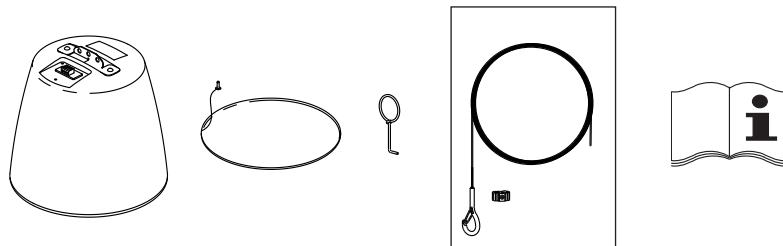


Figure 2.2: Components

2.3 Pendant suspension cable

The pendant suspension cable is supplied with the EVID-P6.2 kit. The material is strong steel wire rope. It is designed with a locking spring mechanism which secures the wire rope and allows for easy adjustment of the installation height, up to 15 ft (4.57 m).

Working Load Limit

The pendant suspension cable’s WLL is based on the suspension being hung vertically. If the cable is suspended at an angle, a second suspension cable is required.



Caution!

Do not hang the pendant suspension cable at an angle in excess of 60° from vertical.

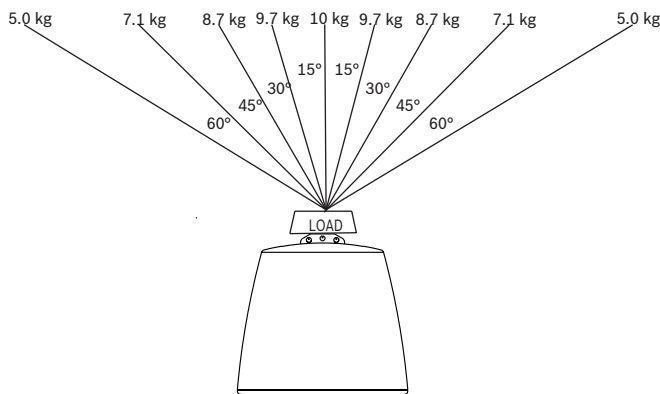
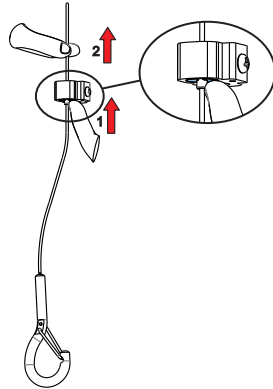


Figure 2.3: Working load limit

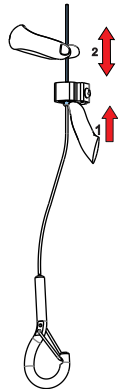
3 Installation

To **install the pendant speaker**, do the following:

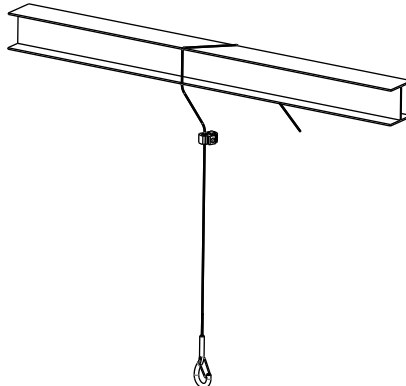
1. Thread the **cab** into the coupler.



2. Adjust the **pendant suspension cable** length.

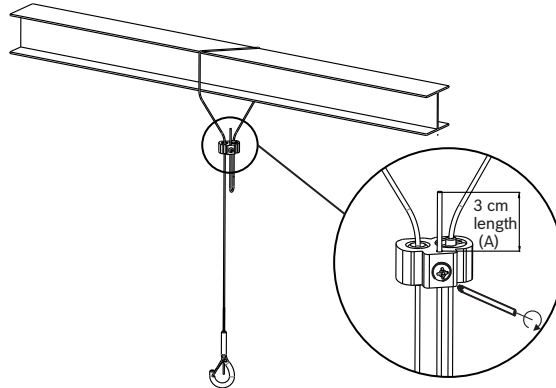


3. Place the **pendant suspension cable** over the ceiling support.

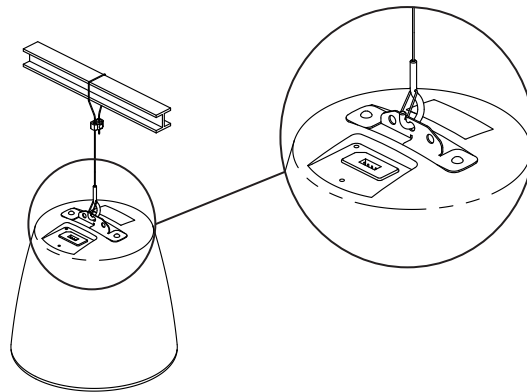


4. Thread the **cab** into the opposite side of the coupler.

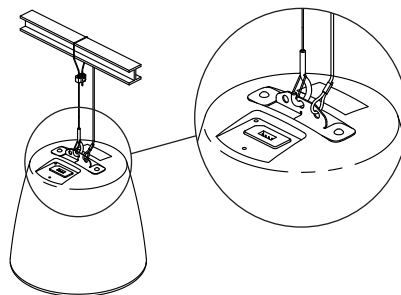
- Once the proper height adjustment has been made, put the **cable tail** through the through hole of the coupler, and leave at least 3 cm (1in.) (A) of length.



- Tighten the **screw** to secure the cable.
- Support the **speaker** , snap the support hanger onto the suspension tab (center) located on the top of the speaker.



- Attach a **secondary auxiliary support cable** (not included) onto one of the suspension tab side holes in the top of the speaker.



- Secure the **secondary auxiliary support cable** (not included) to a different ceiling support point of the building structure.

See also

- *Safety, page 4*
- *Wiring, page 13*

3.1 Installing with the threaded rod adapter – optional accessory

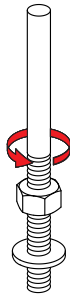
Using a threaded rod

**Notice!**

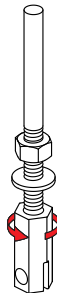
Use a steel threaded rod size 7/16"-20.

To **install using a threaded rod**, do the following:

1. Mount **threaded rod** (not included) to ceiling.
We highly suggest double nutting the threaded rod, whenever possible.
2. Screw **jam-nut** (not included) on the speaker end of the threaded rod on.
Leave enough space to screw the adapter.



3. Screw **adapter** into threaded rod at least 3/4".
Align mounting slot, if needed.

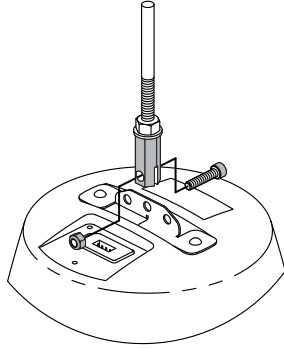


4. Screw **jam-nut** down until it contacts the surface of the threaded rod adapter.
Fully tighten against each other.

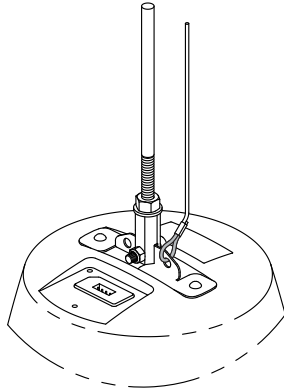


5. Insert **pendant mounting plate** into threaded rod mounting slot.

6. Insert the **threaded rod adapter locking screw** through the adapter holes and speaker mounting plate center hole.



7. Tighten **nylon locking nut** to the other end of the suspension screw.
8. Attach a **secondary auxiliary support cable** (not included) onto one of the suspension tab side holes in the top of the speaker.



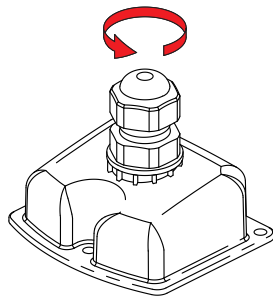
9. Secure the **secondary auxiliary support cable** (not included) to a different ceiling support point of the building structure.

3.2

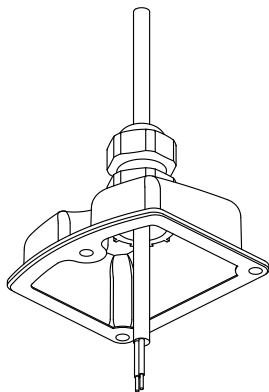
Installing the weather cover – optional accessory

To **wire the speaker using Euroblock connector and weather cover**, do the following:

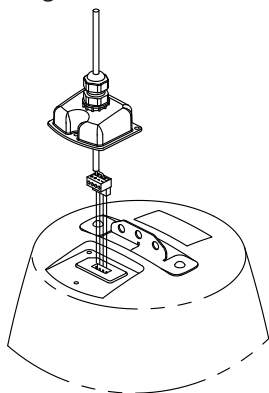
1. Mount the **speaker**, as shown in the installation section.
2. Loosen the **gland nut**.



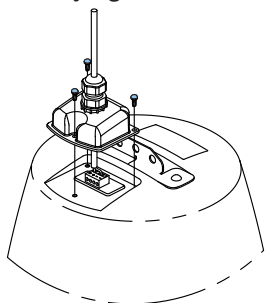
- 3. Push the **wire** through the gland nut.



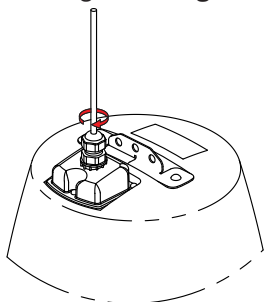
- 4. Plug the wired **Euroblock connector** into the speaker.



- 5. Insert the **three screws** into the weather cover.
Loosely tighten the three screws to keep the weather cover in place.



- 6. Tighten all **three screws** to secure the weather cover.
Ensure the weather cover is secure.
- 7. Adjust the **wire** length.
- 8. Tighten the **gland nut**.



4 Wiring

It is recommended to hang the speaker before making the wire connections.

4.1 Step 1 – Attach wiring to the terminal connector

Insert the bare end of wire into the appropriate connector terminals and screw down the hold-down screw until tight, using a small screwdriver.

INSTALLATION NOTE: CONNECTOR

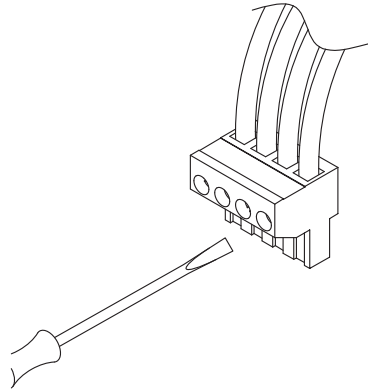


Figure 4.1: Tighten with screwdriver

WIRING GUIDELINES

The input connector’s four terminals are numbered and marked on the connector. Pins 1 and 2 are positive (+); pins 3 and 4 are negative (-).

Note: Pin 1 is connected to Pin 2 and Pin 3 is connected to Pin 4 inside the speaker. Pins 1 and 4 are used as daisy-chain connections to other loudspeakers.

There are two possible layouts for wiring a group of speakers; wiring in parallel or Daisy-Chaining.

Wiring in parallel

Connect the wire pair of the subsequent speaker to pins 2 and 3. When one input connector is removed, subsequent speakers will remain connected.

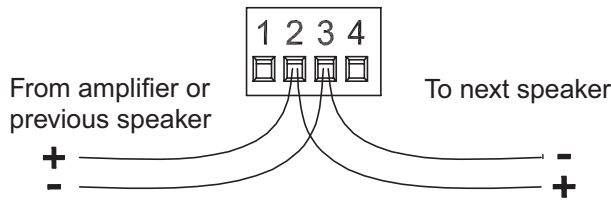


Figure 4.2: Parallel wiring

Daisy-Chaining

Connect the wire pair of the subsequent speaker to pins 1 and 4. When one input connector is removed, subsequent speakers will also be disconnected.

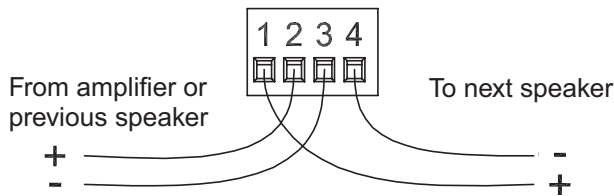
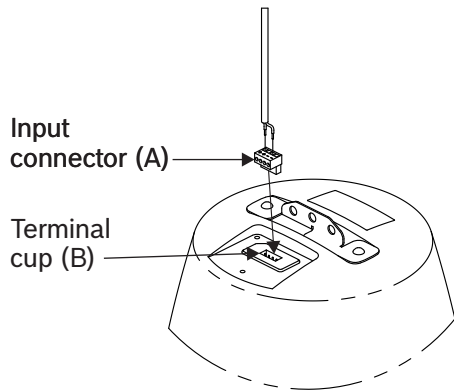


Figure 4.3: Daisy-Chain wiring

Plugging in the connector

When all wiring has been completed to the connector, plug the input connector (A) into the socket in the speaker's terminal cup (B).



4.2 Step 2 – Adjust tap selector

The tap selector switch is located on the front baffle. Adjust the speaker to the appropriate tap setting before installing the grille. In some 70V/100V constant voltage installations it is advisable to leave the grilles off if final speaker audio level balance adjustments are to be made later. After the levels are adjusted the grilles can then be installed.

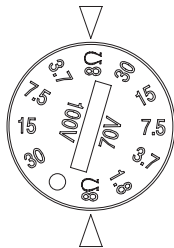


Figure 4.4: Adjust tap selector

4.3 Step 3 – Attach the grille

INSTALLATION NOTE: GRILLE SAFETY FEATURE

EVID grilles features a unique safety tether to prevent the grille from falling if the grille is removed or comes loose after installation.

First, install the grille's safety tether by pushing the grille fastener into the hole in the front of the baffle. Second, press the grille into place until the front of the grille is flush with the rim of the baffle. Make sure the grille is securely seated to prevent it from vibrating loose.

If you need to remove the grille, the easiest way is to use the provided grille removal tool, then apply slow even pressure to pull down on the grille until it detaches from the speaker. The grille is attached magnetically to the speaker.

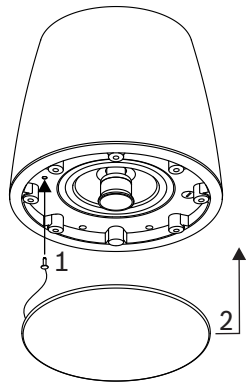


Figure 4.5: Attach the grille

See also

- *Installation, page 8*

5 Troubleshooting

Problem	Possible Causes	Action
No Sound	Amplifier	Connect a known working test speaker to the amplifier outputs. If there is no sound, check all electronics are on, the signal routing is correct, the source is active; the volume is turned up, and so on. Correct/Repair/Replace as necessary. If there is sound, the problem is in the wiring.
	Wiring	Verify you have connected the correct wire pairs to the amplifier. Play something at low level through the amplifier (for example, from a CD player or tuner). Connect the test speaker in parallel with the malfunctioning line. If the sound has gone or is very weak, the line has a short in it (possibly a severe scrape, pinch, or staple puncture). If the sound level is normal the wire is open (possibly a cut wire or missed connection). Using the test speaker, move down the line and test each connection/junction until you find the problem and correct it. Observe proper polarity.
		Verify you have the inputs and outputs connected to the correct wires. If the subwoofer input panel is not correctly wired, there will be little or no sound. Observe proper polarity.
Poor Low-Frequency Response	Speakers Wired Out-of-Polarity	When two speakers are connected out of polarity (out of phase), the low frequencies will cancel each other acoustically. Carefully observe the wire markings or tracers on your speaker wires. Verify the amplifier (+) terminal is connected to the desired color-coded transformer tap speaker terminals and the amplifier (-) terminal is connected to the red speaker terminals.
Intermittent Output such as, Crackling or Distortion	Faulty Connection	Check all connections at amplifier and speakers to ensure they are clean and tight. If the problem persists, it may be in the amplifier or wiring. See other actions above.
Constant Noise such as Buzzing, Hissing, Humming	Defective Amplifier or other Electronic Device	If the noise is present but no program material is playing, the likely cause is the signal chain in the electronics. Evaluate each component as necessary to isolate the problem.
	Poor System Grounding or Ground Loop	Check and correct the system grounding, as required.

If these suggestions do not solve your problem, contact your nearest Electro-Voice dealer or Electro-Voice distributor.

See also

- *Installation, page 8*
- *Wiring, page 13*

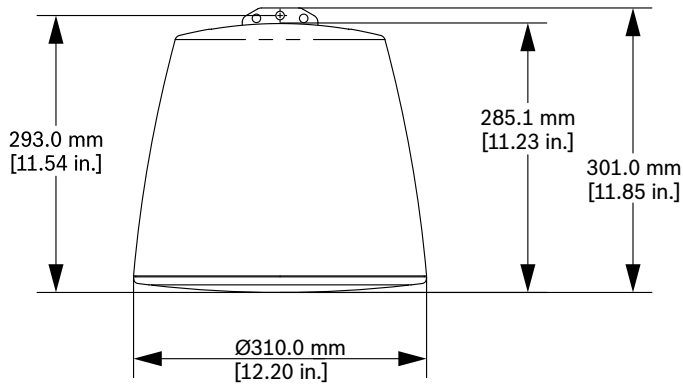
6 Technical data

Rated frequency range:	60 Hz - 20 kHz
Sensitivity (SPL 1 W/1 m):	87 dB
Coverage pattern ¹ :	115° conical
Power handling (@ 8Ω):	75 W (with overload protection)
Rated impedance:	8 Ω
Recommended High-Pass frequency:	60 Hz
Input configuration:	8Ω; 70V/100V
70V/100V power taps:	1.8 (70V only)/3.7/7.5/15/30 W
LF transducer:	6.5 in (165 mm) high-compliance driver (weatherized cone)
HF transducer:	1 in (25 mm) aluminum dome
Mounting system:	Rear mounted suspension points
Acoustic design:	Ported cabinet, two-way design, internally damped, w/passive crossover
Approvals:	CE, UL 1480A, CSA 22.2
Cabinet construction:	UL94V-0 rated enclosure and baffle
Grille construction:	Powder-coated steel
Colors:	Black or white
Dimensions (depth x diam.):	11.9 in x 12.2 in (301.0 mm x 310.0 mm)
Net weight:	11.65 lb (5.28 kg)
Shipping weight:	13.85 lb (6.28 kg)
Included accessories:	Grille removal tool

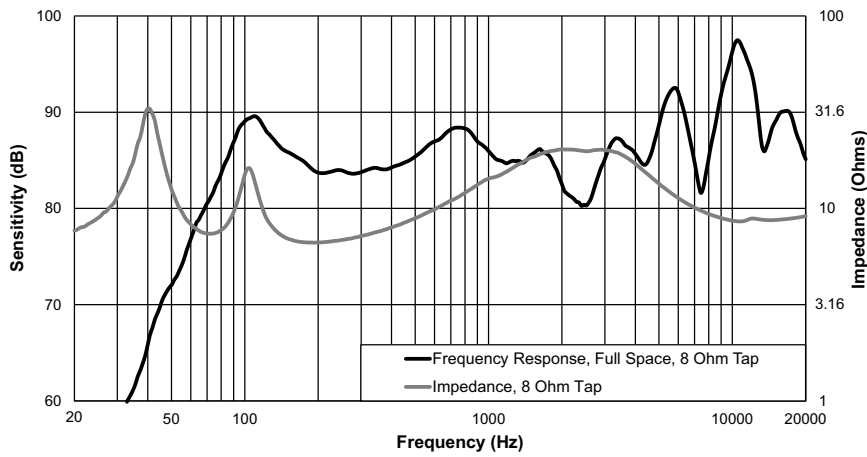
¹Average 1 kHz to 10 kHz

	Pendant Suspension Cable
Material:	Steel wire rope
Working load limit:	10 kg (22 lb)
Length:	4.57 m (15 ft.)
Approvals:	UL2442

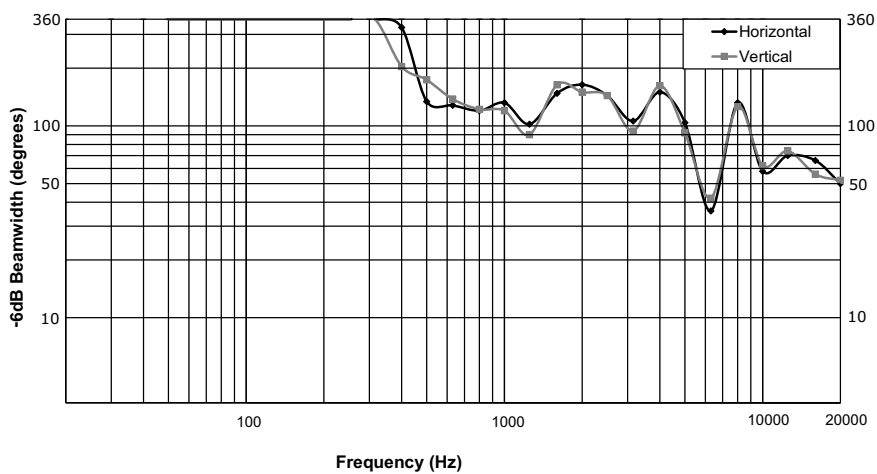
Dimensions:



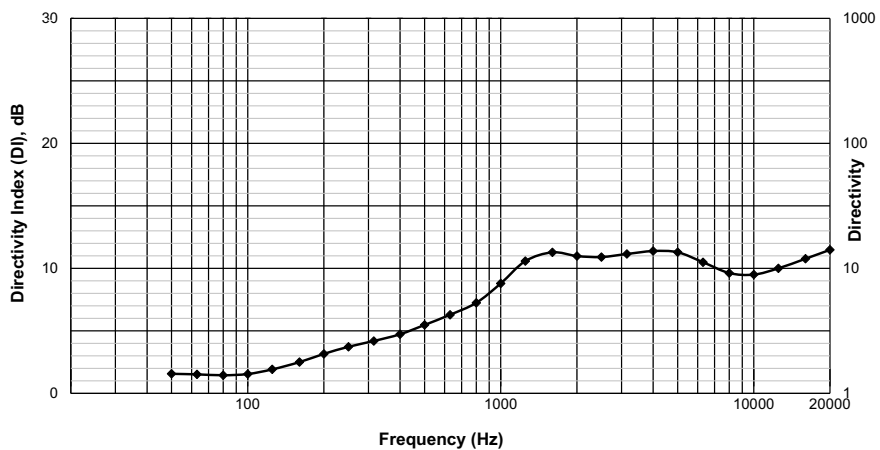
Frequency response and impedance:

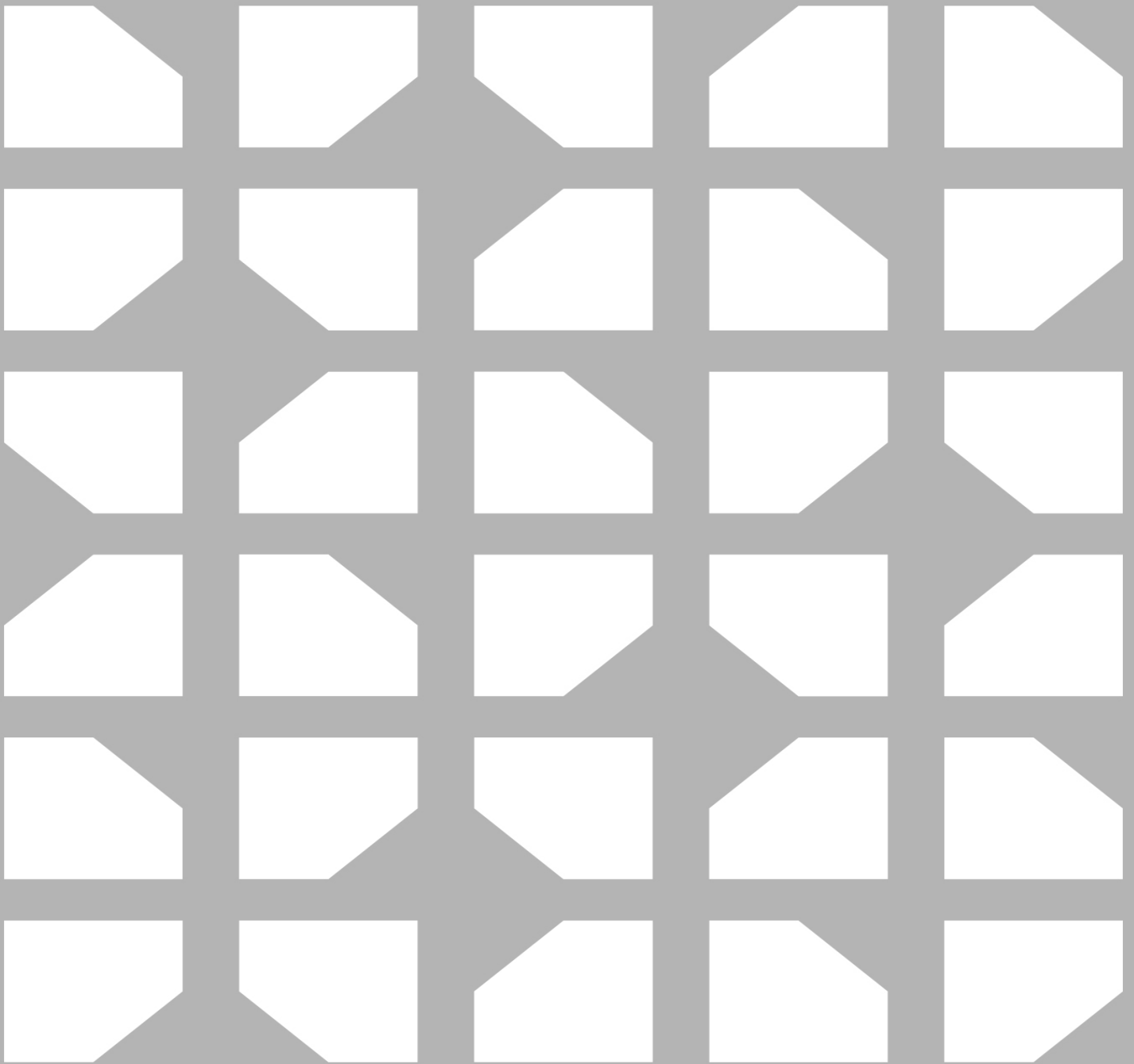


Beamwidth:



Directivity:





Bosch Sicherheitssysteme GmbH

Robert-Bosch-Ring 5
85630 Grasbrunn
Germany

www.boschsecurity.com

© Bosch Sicherheitssysteme GmbH, 2018

Bosch Security Systems, Inc

12000 Portland Avenue South
Burnsville MN 55337
USA

www.electrovoice.com