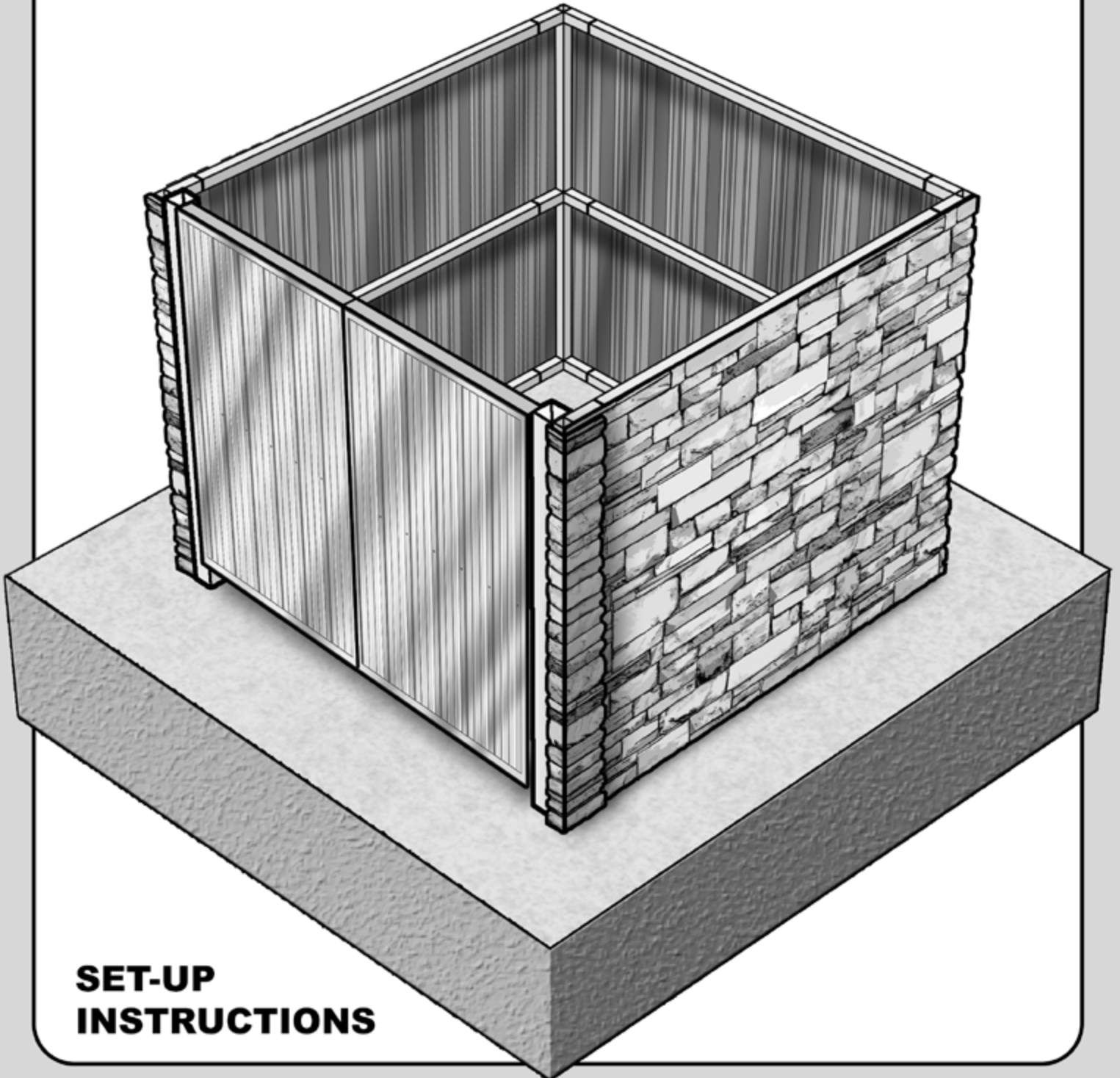




# CHOICE ENCLOSURES

BY *REPLICATIONS UNLIMITED*

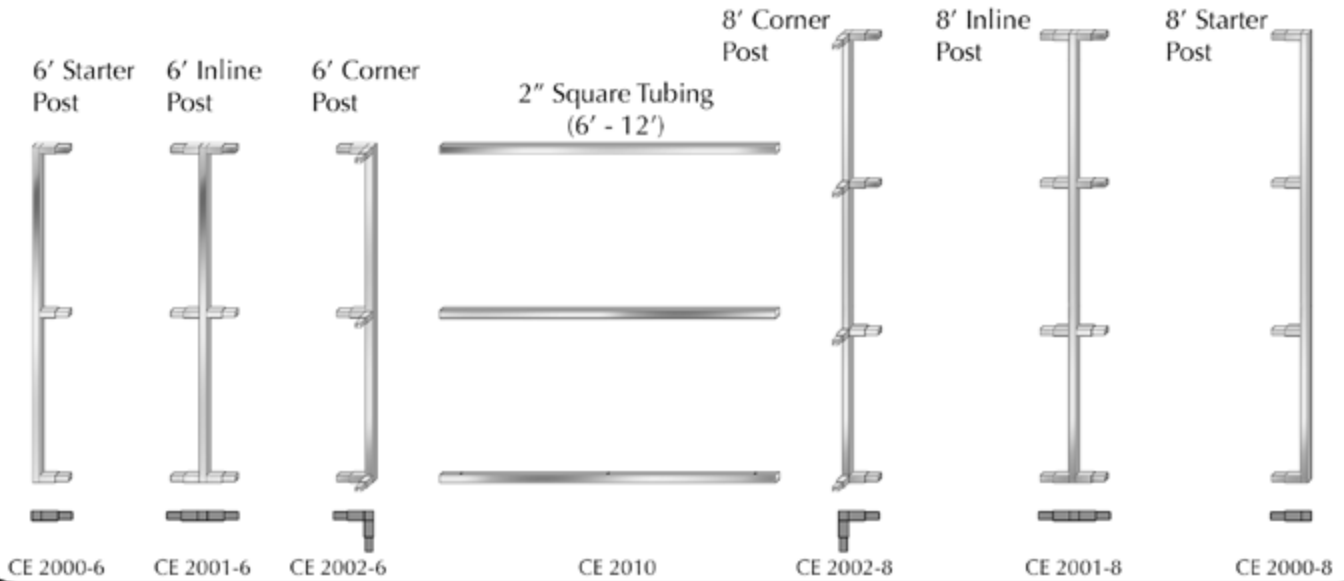


**SET-UP  
INSTRUCTIONS**

## FRAMING DETAILS

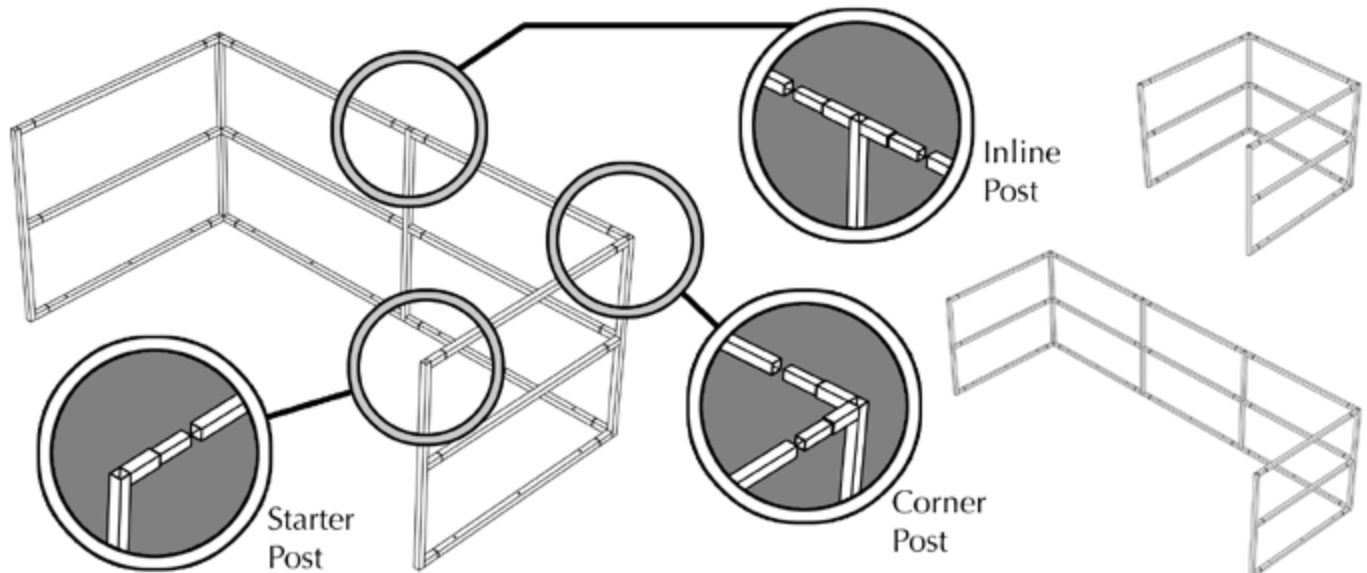
### 1.1 • Framing Components

The framing system is comprised of four simple components that can be combined together to produce any size enclosure. The components are comprised of a starter post, inline post, corner post and are connected with 2" inch square tubing.



### 2.1 • Framing Installation

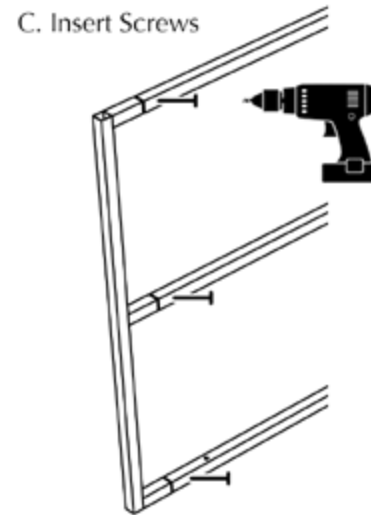
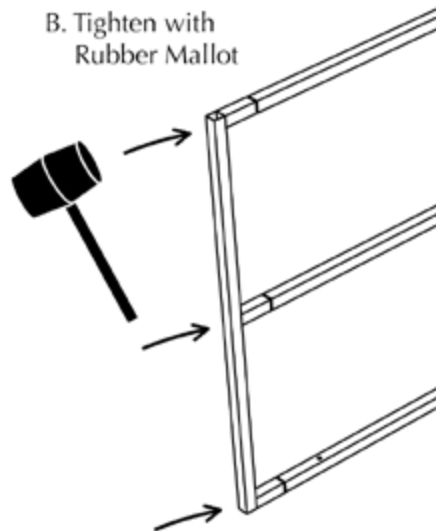
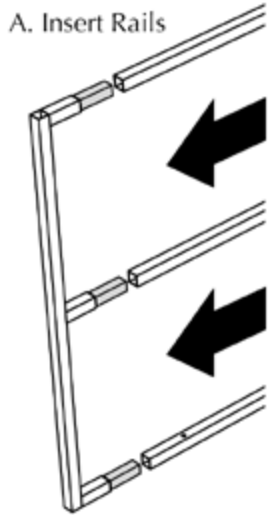
The system is based on a unique design where the horizontal square tubing quickly slides into any of the three posts.



## FRAMING DETAILS

### 2.2 • Framing Installation

A rubber mallet may be needed to tighten the connections together and then a screw is added to secure the connections.

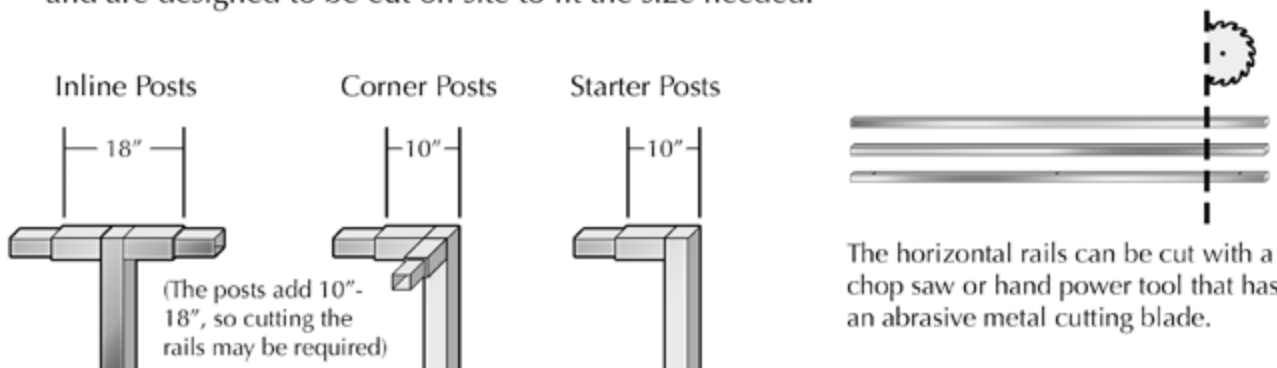


### 3.1 • Framing Size Adjustments

The horizontal tubular steel rails are available in 8ft, 10ft and 12ft lengths. However, for shipping costs, 8ft lengths will be used as a default in the kits unless otherwise indicated.



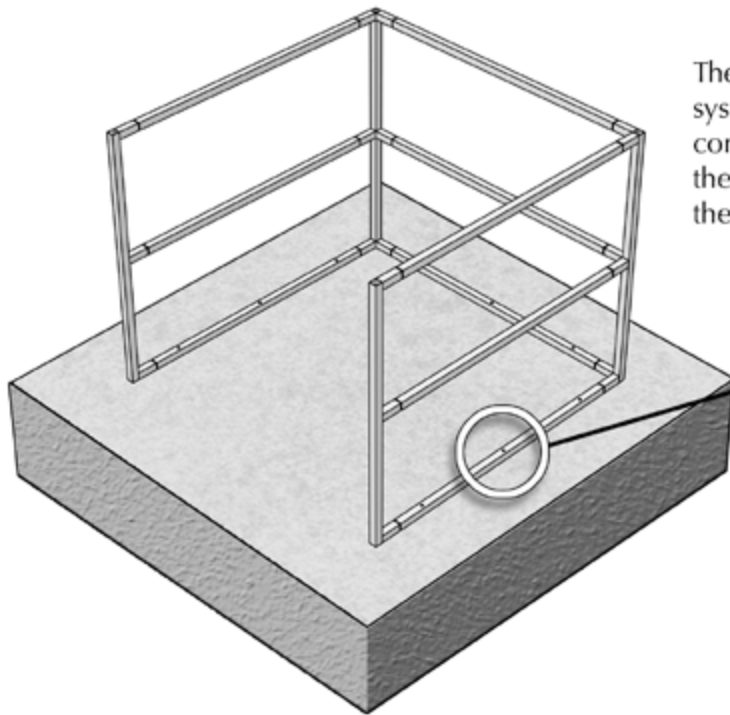
Each post adds 10"-18" to the width of the sides (Starter posts and Corner posts adds 10" and Inline posts add 18"). In most kits the horizontal tubular steel rail is factory cut so that the system equals the stated size of the kits. However, in enclosure packages that are required to fit odd sizes, the horizontal rails are shipped in the full 8ft, 10ft or 12ft lengths and are designed to be cut on site to fit the size needed.



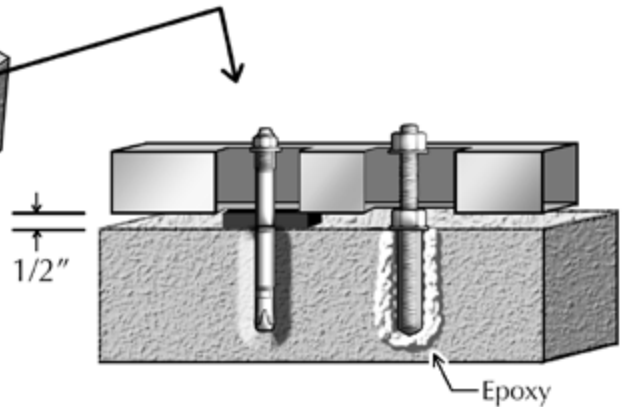
## ENCLOSURE ASSEMBLY

### 1.A • Frame Attachment (Option A)

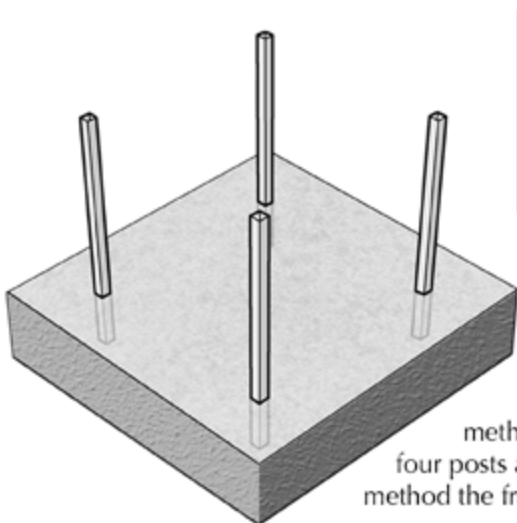
There are two options to install the frame system to the dumpster enclosure area. Unlike most systems, the *Choice Enclosure* is self supporting and does not need four posts. So in some applications where the deck is level and is concrete, a threaded-rod bolt system can be installed into the concrete deck and used to secure the frame to the deck.



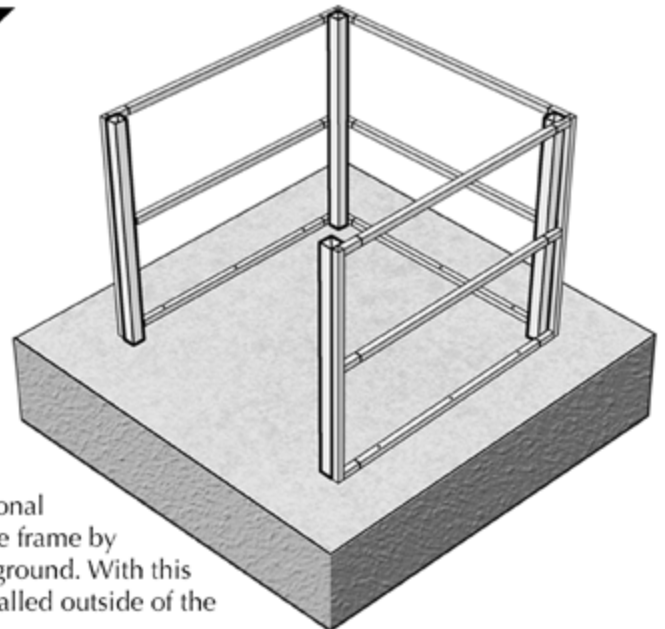
The bottom rail will have pre-drilled holes for the bolt system. The bolt system can be based on an expanding concrete anchor or epoxy gluing a threaded rod into the deck. Leaving a small gap in between the rail and the deck will allow water to drain under the enclosure.



### 1.B • Support Posts (Option B)

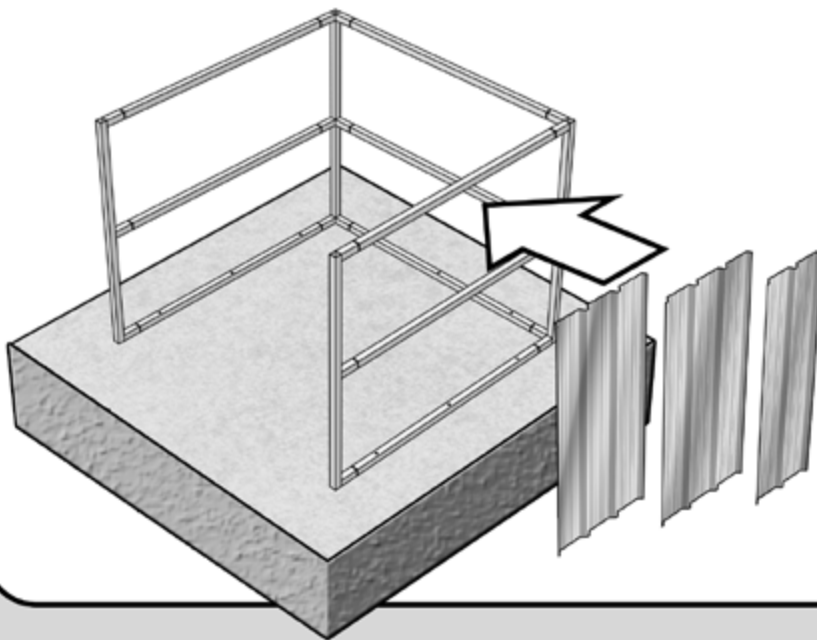


A more conventional method is to support the frame by four posts anchored into the ground. With this method the frame would be installed outside of the four posts.

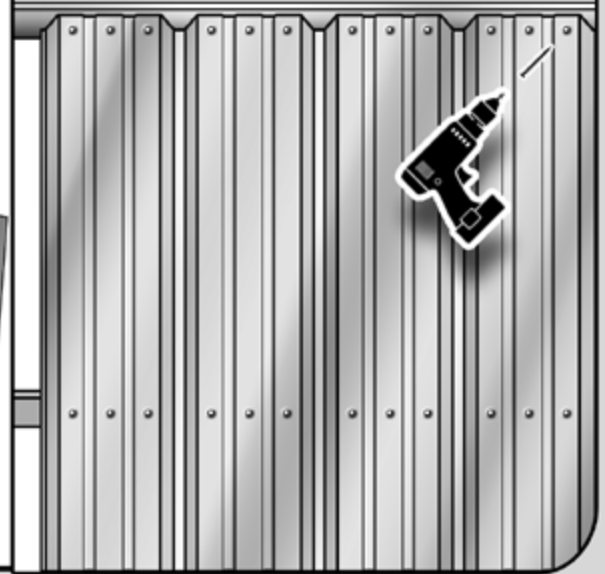


## ENCLOSURE ASSEMBLY

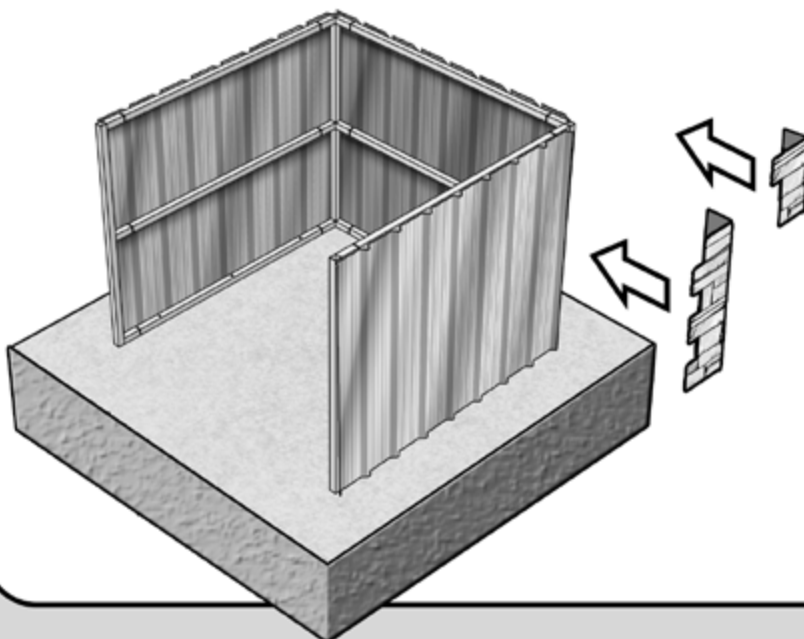
### 2.1 • Metal Panels



Attach metal panels to the outside of the frame on the right, back and left side using screws and a power drill.

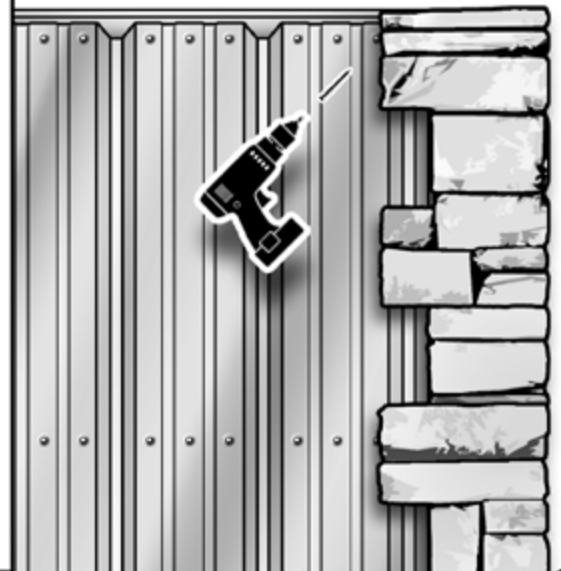


### 3.1 • Attach Corners



Next attach the two rear Key/Keyless Corners (L + R). The keyed side of the corner should be on the left side and the right side. The keyless sides should be both on the back.

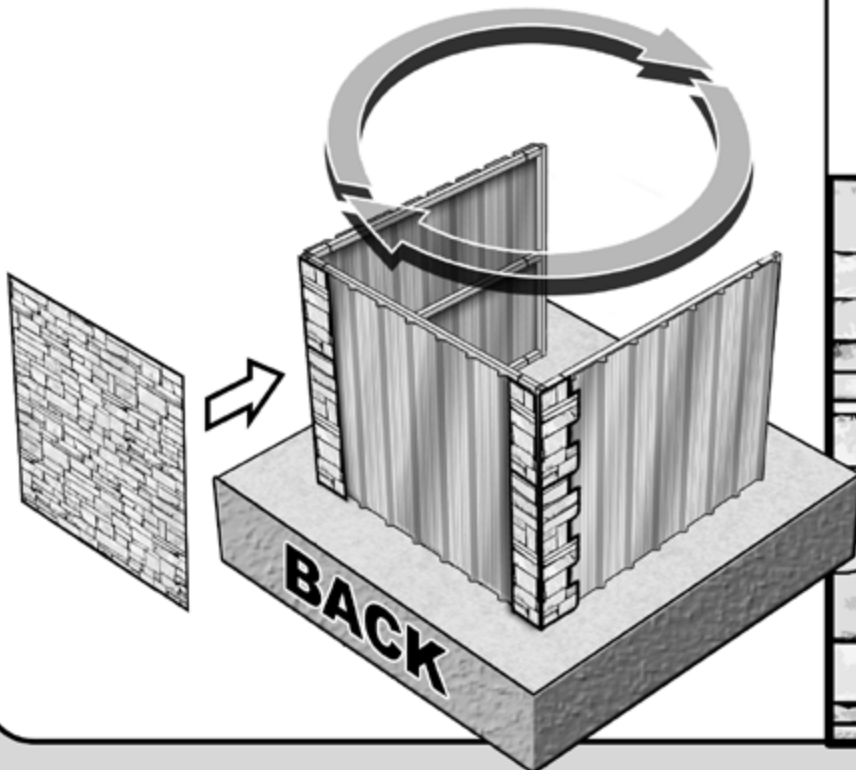
RIGHT SIDE VIEW





## ENCLOSURE ASSEMBLY

### 4.1 • Add Back Panel(s)

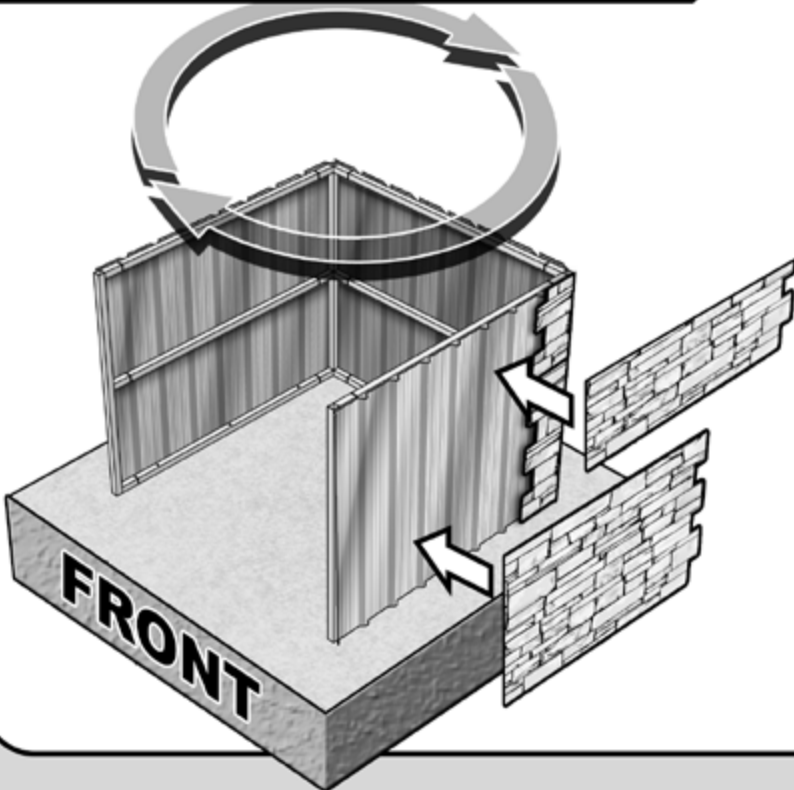


On the **backside** attach the keyless panel(s) in-between the keyless sections of the corners.

REAR VIEW



### 5.1 • Attach Side Panels



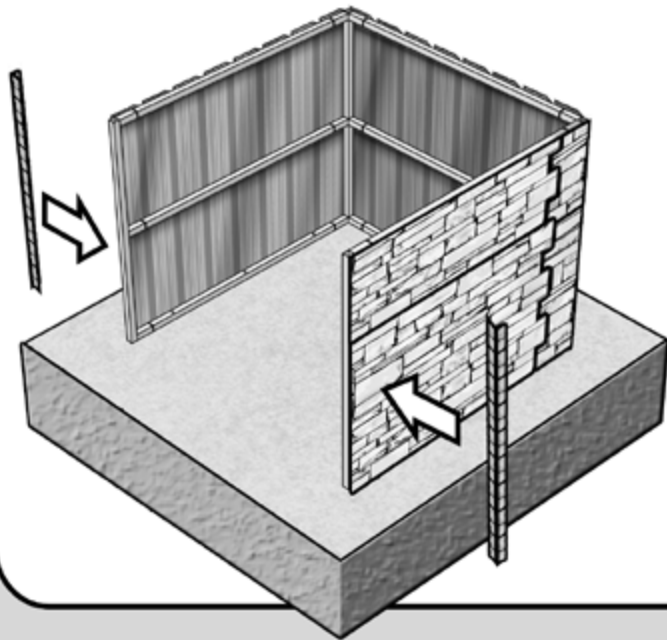
Once the back is complete then start applying the right side and left side panels. Start with the bottom panel that will interlock with the keys of the corner, moving towards the front of the enclosure with the next panel. Once that row is complete then move up to start the next, again with the first panel interlocking with the keys of the corner.

RIGHT SIDE VIEW



## ENCLOSURE ASSEMBLY

### 6.1 • Add Trim (Optional)



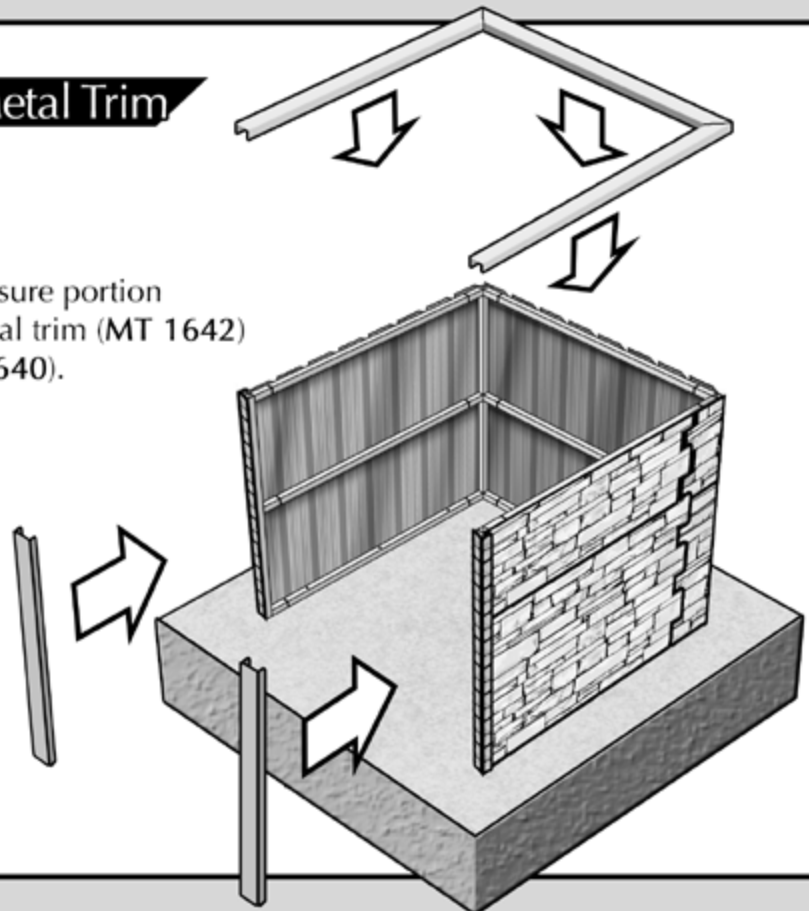
If corner trim is used, then attach the pieces to the front left and front right of the enclosure.

RIGHT SIDE VIEW



### 7.1 • Attach Top & Front Metal Trim

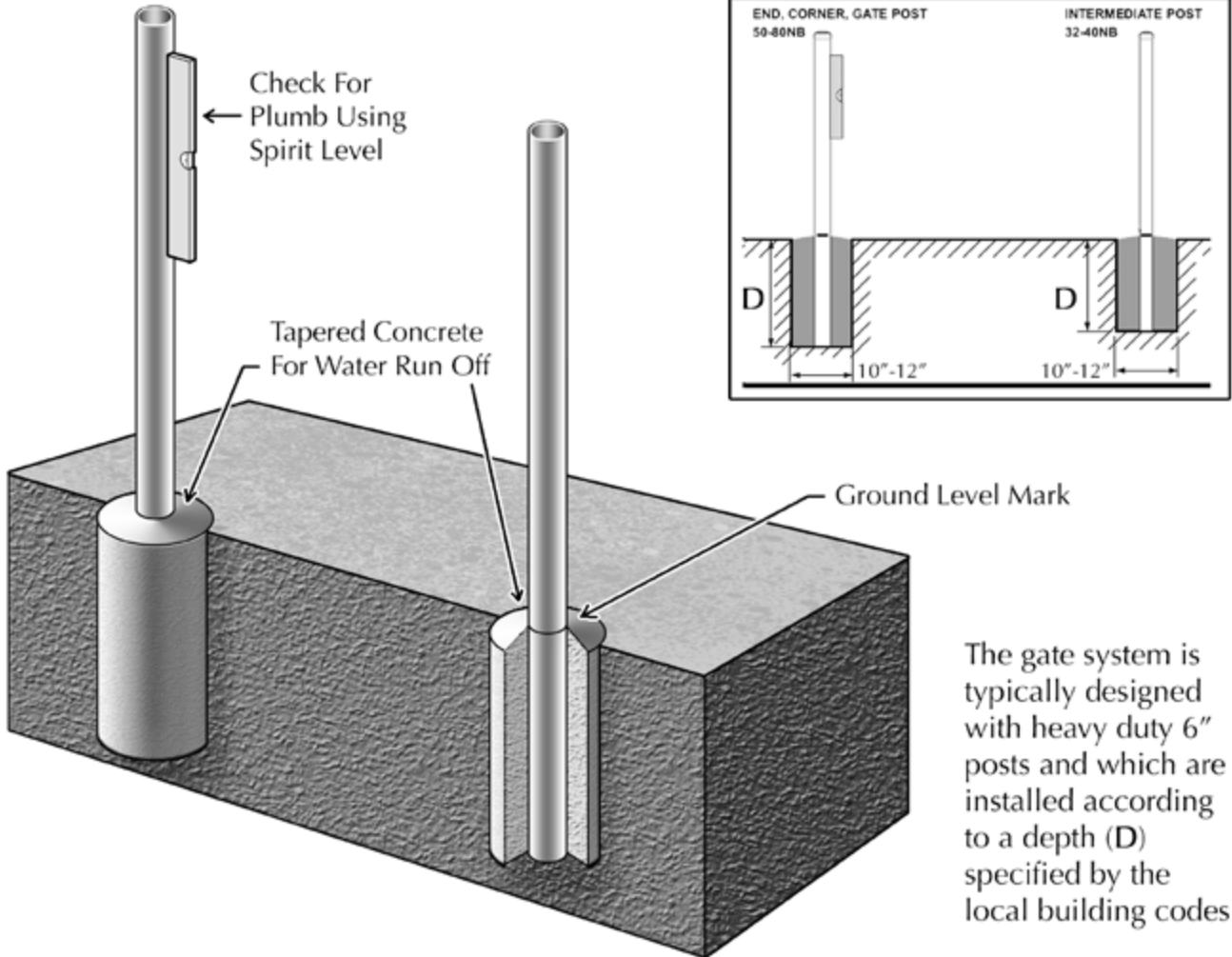
To finish the assembly of the enclosure portion of the process, attach the front metal trim (MT 1642) and then the top metal trim (MT 1640).





## GATE ASSEMBLY

### 8.1 • Gate Installation Details



### 8.2 • Hinge System

Shown here is a unique system that allows the gate to be attached without a welding process.

