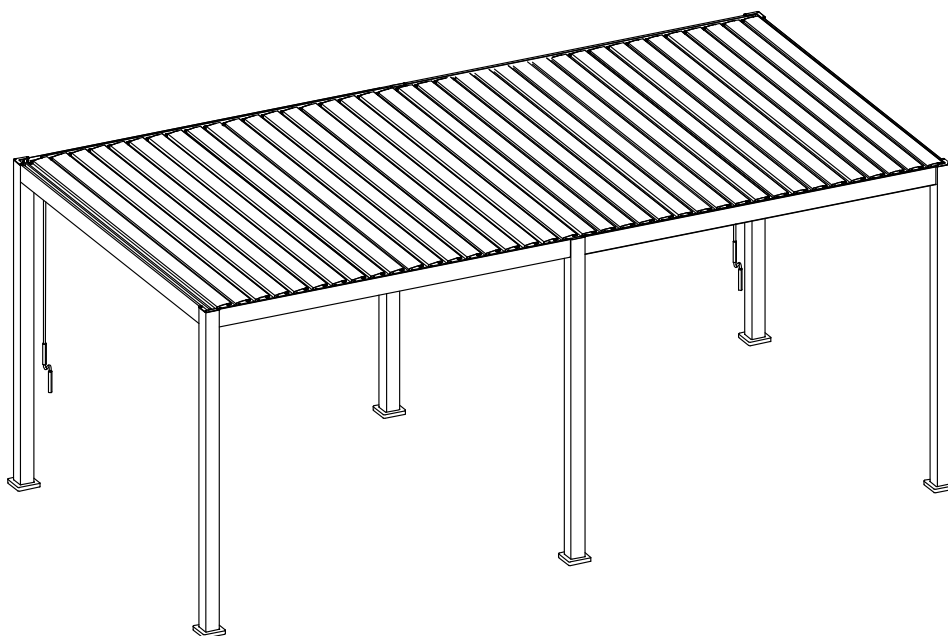


MIRADOR[®] 3x6m

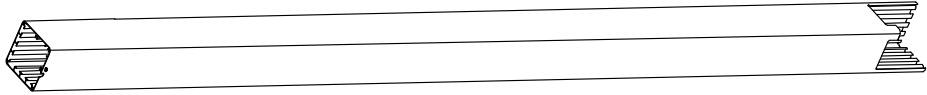

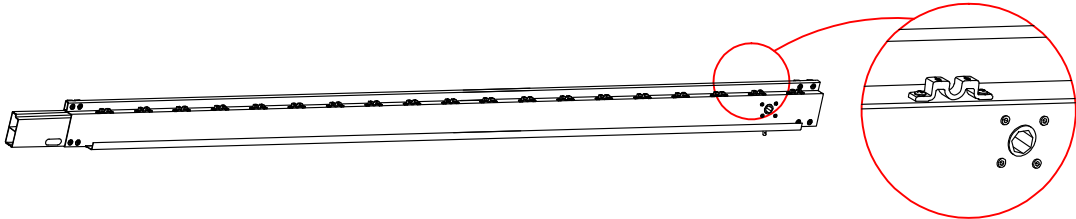
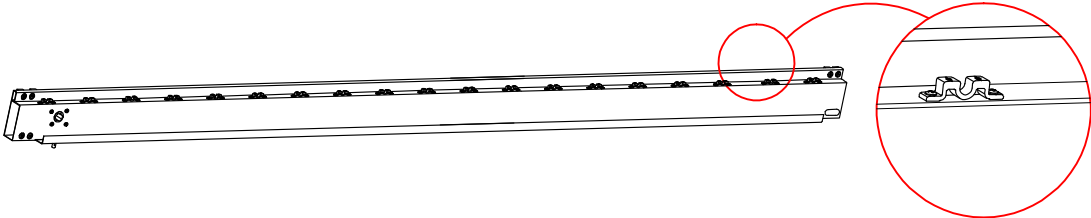
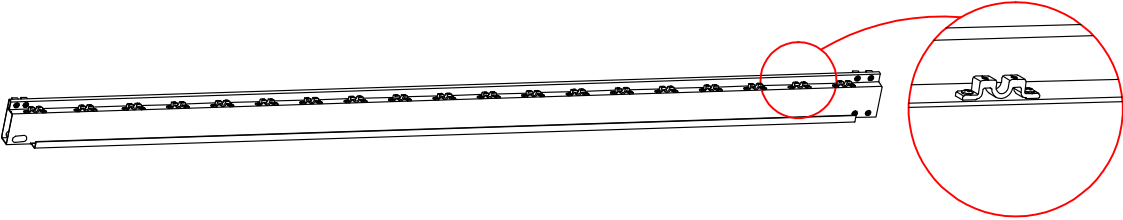
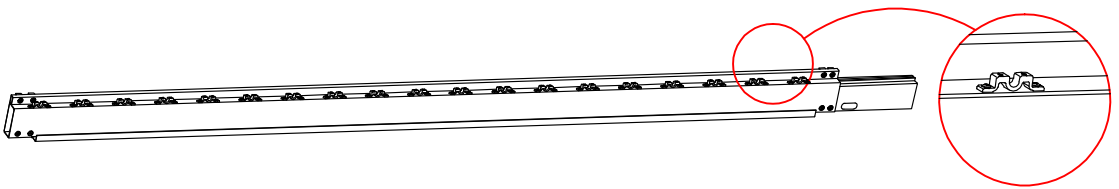
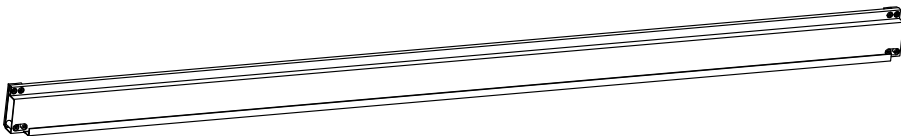
User Manual

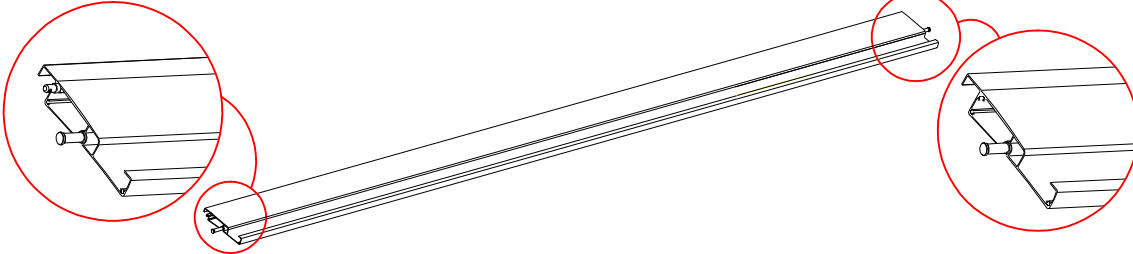
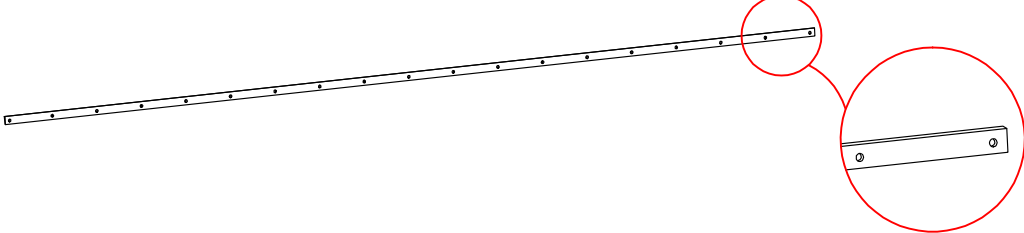

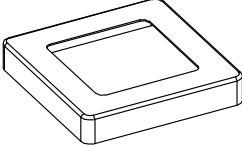
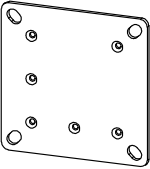
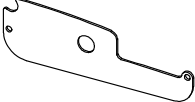
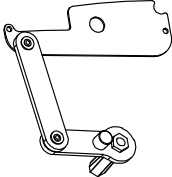


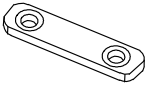


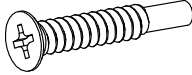
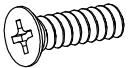


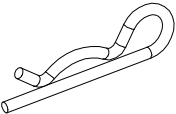
Installation Video




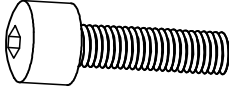
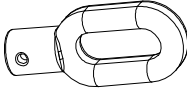
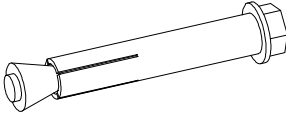

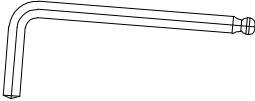


	REF	QTY	REF	QTY	REF	QTY
Carton 1/5	(A)	4PCS	(A1)	2PCS		
Carton 2/5	(B)	1PC	(B1)	1PC	(B2)	1PC
	(B3)	1PC	(C)	2PCS	(G)	2PCS
	(H)	2PCS	(I)	6PCS	(J)	6PCS
	(K)	77PCS	(L)	2PCS	(M)	79PCS
	(N)	4PCS	(N1)	2PCS	(O)	36PCS
	(P)	158PCS	(Q)	158PCS	(R)	16PCS
	(S)	44PCS	(T)	2PCS	(T1)	4PCS
	(U)	2PCS	(U1)	4PCS	(V)	2PCS
	(W)	24PCS	(X)	1PC	(Y)	2PCS
	User Manual	1SET				
Carton 3/5	(D)	13PCS				
Carton 4/5	(D)	13PCS				
Carton 5/5	(D)	12PCS				

REF	PICTURE	QTY
A		4PCS
A1		2PCS
B		1PC
B1		1PC
B2		1PC
B3		1PC
C		2PCS

REF	PICTURE	QTY
D		38PCS
G		2PCS
H		2PCS
I		6PCS
J		6PCS
K		77PCS
L		2PCS

REF	PICTURE	QTY
(M)		79PCS
(N)		4PCS
(N1)		2PCS
(O)		36PCS
(P)	 M5x12mm	158PCS
(Q)	 4.2x25mm	158PCS
(R)	 5.5x19mm	16PCS
(S)		44PCS

REF	PICTURE	QTY
(T)		2PCS
(T1)		4PCS
(U)	 M6x45mm	2PCS
(U1)	 M8x45mm	4PCS
(V)		2PCS
(W)		24PCS
(X)		1PC
(Y)		2PCS

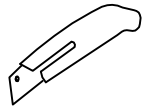
Warning

In snow season or in case of snow forecast open up your shutters in vertical position to avoid any damaging on your pergola.

What you need?



Glove



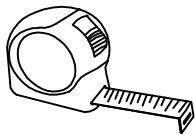
Knife



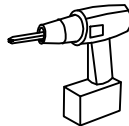
Hammer



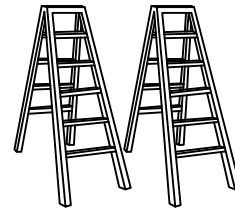
Safety hat



Tapeline

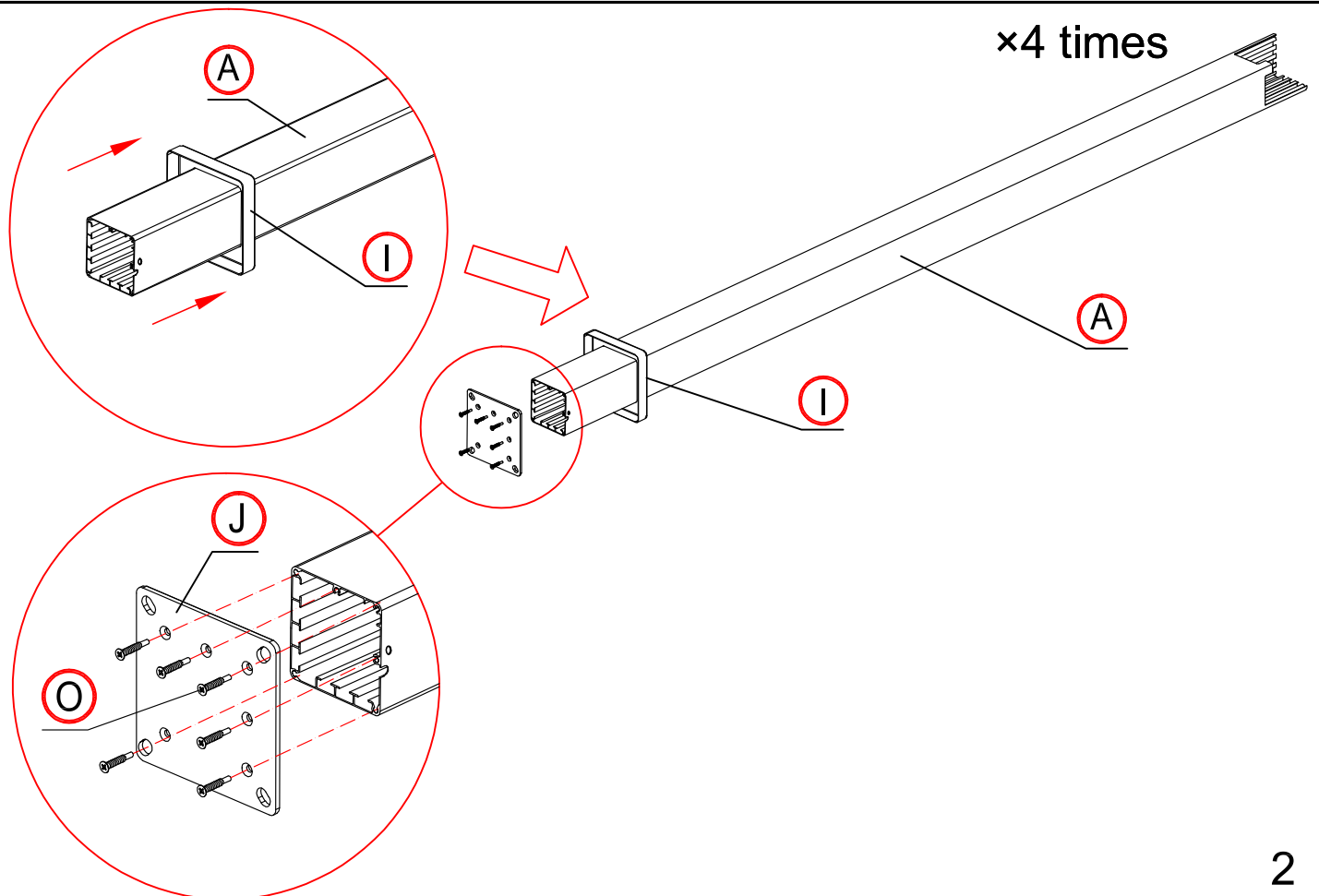


Electric screw driver

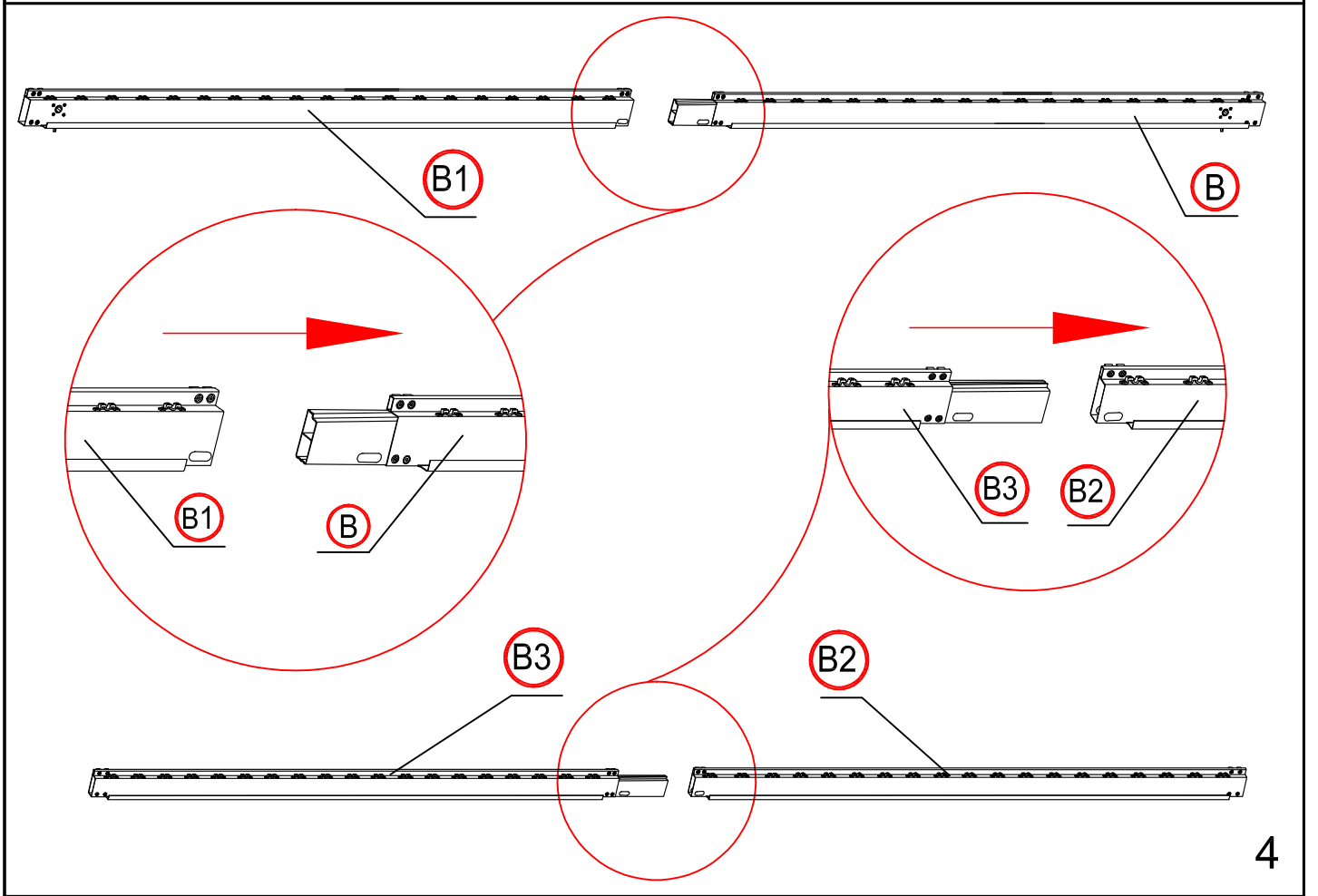
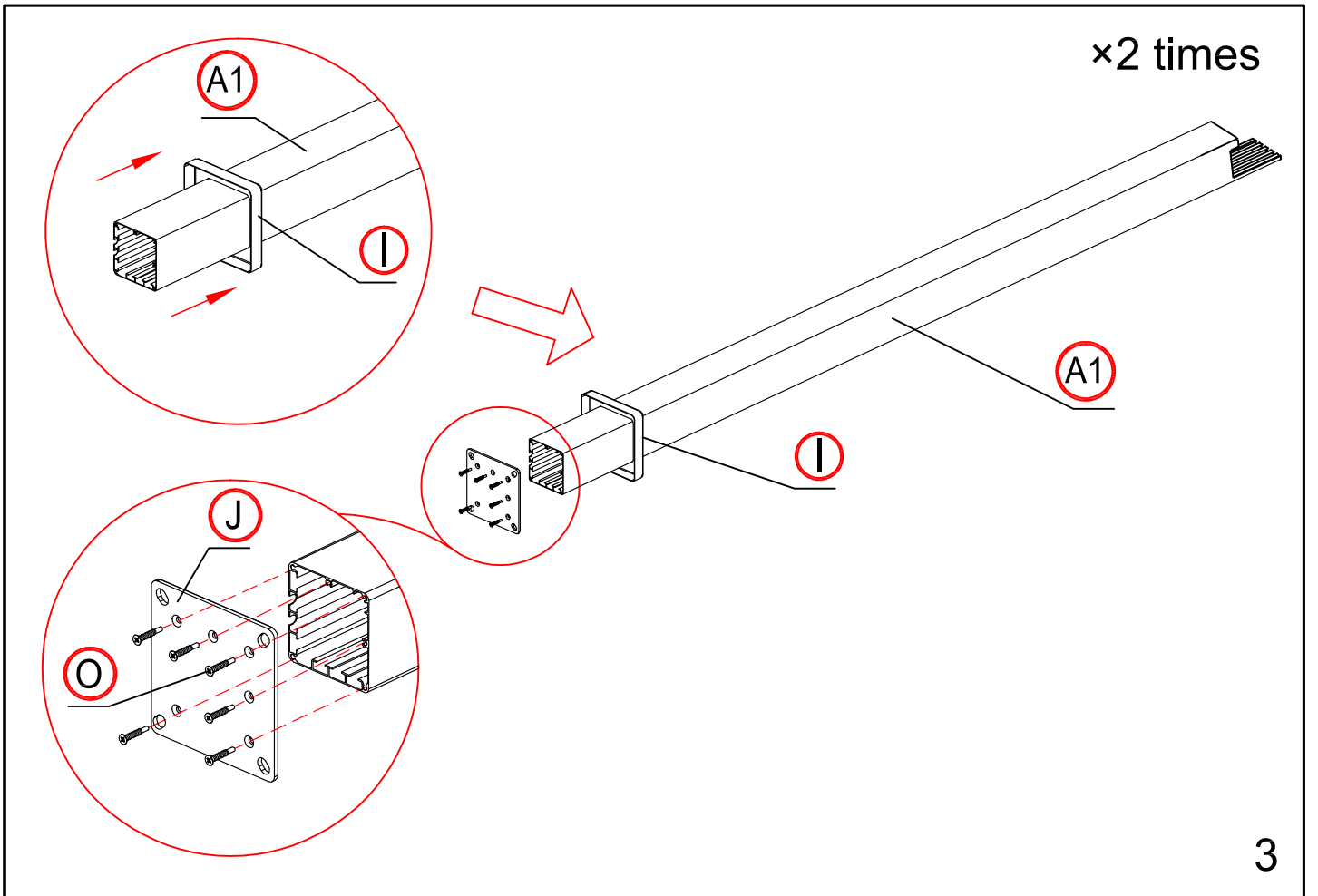


Ladder

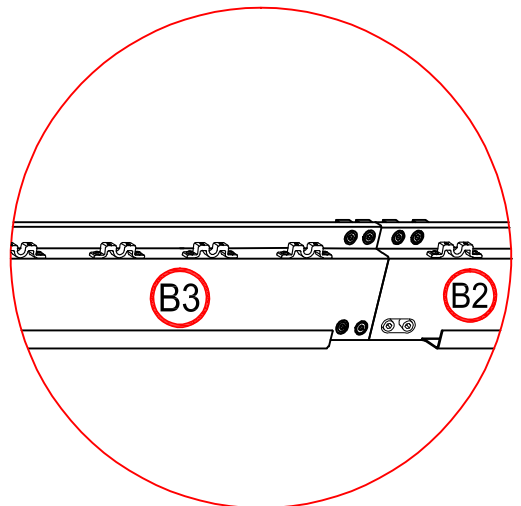
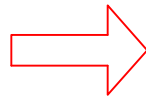
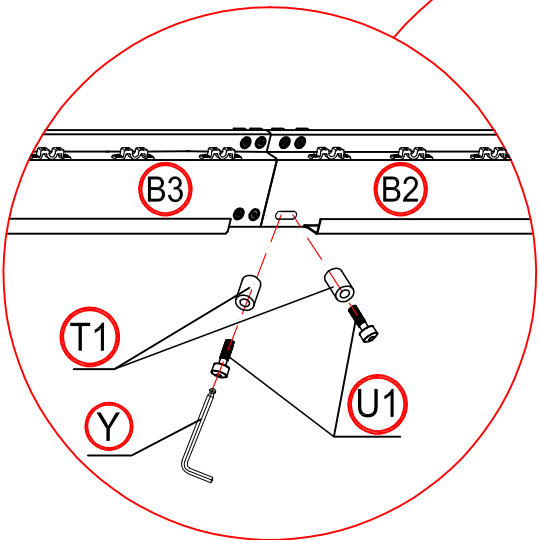
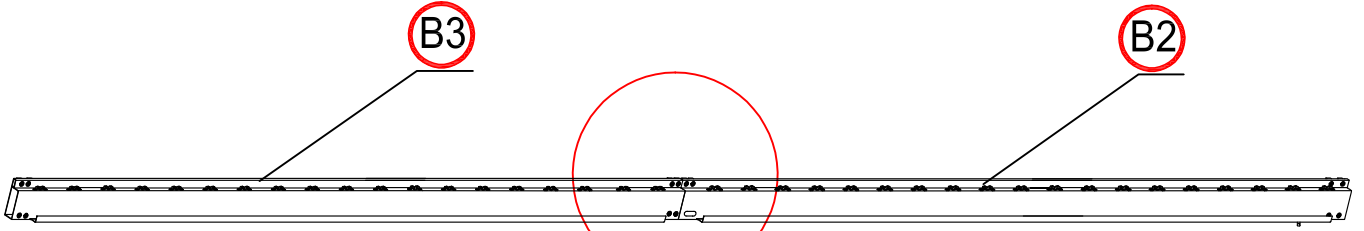
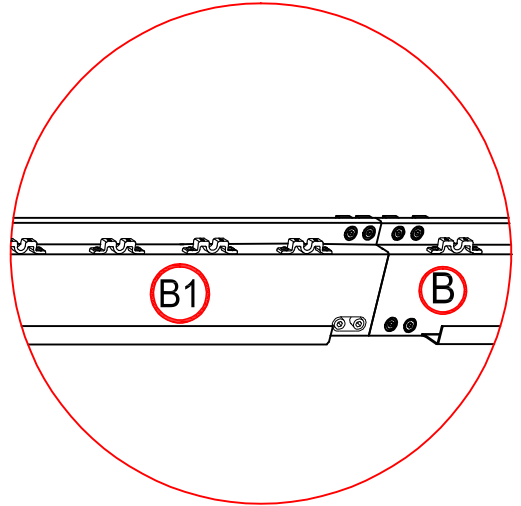
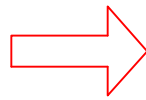
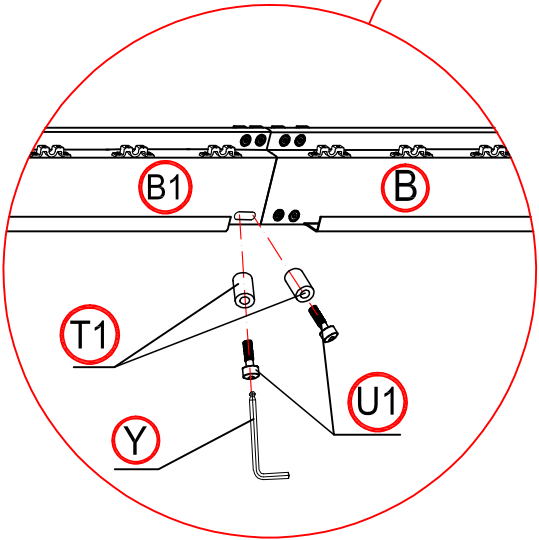
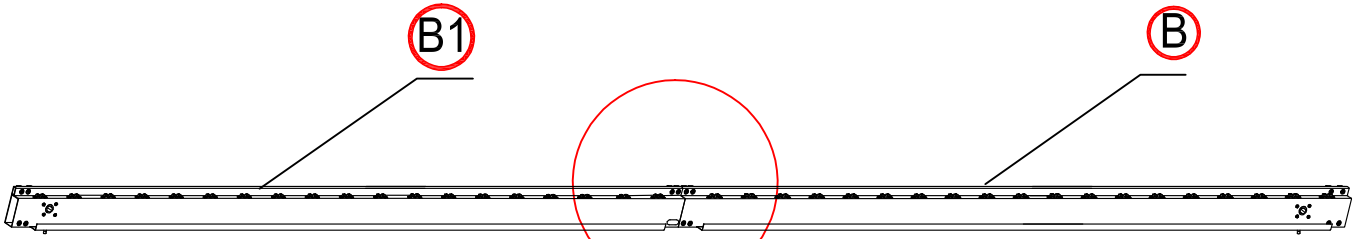
1

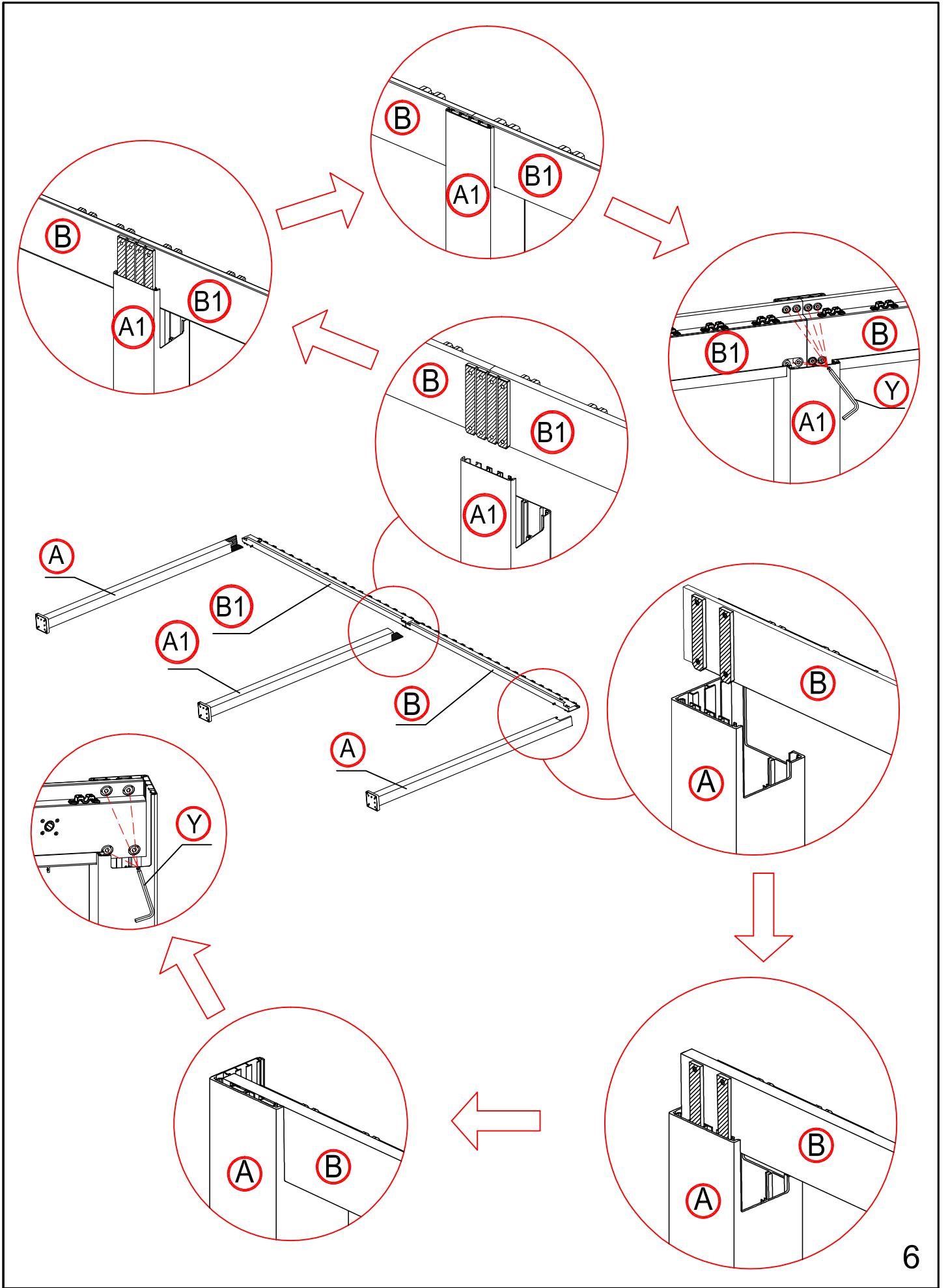


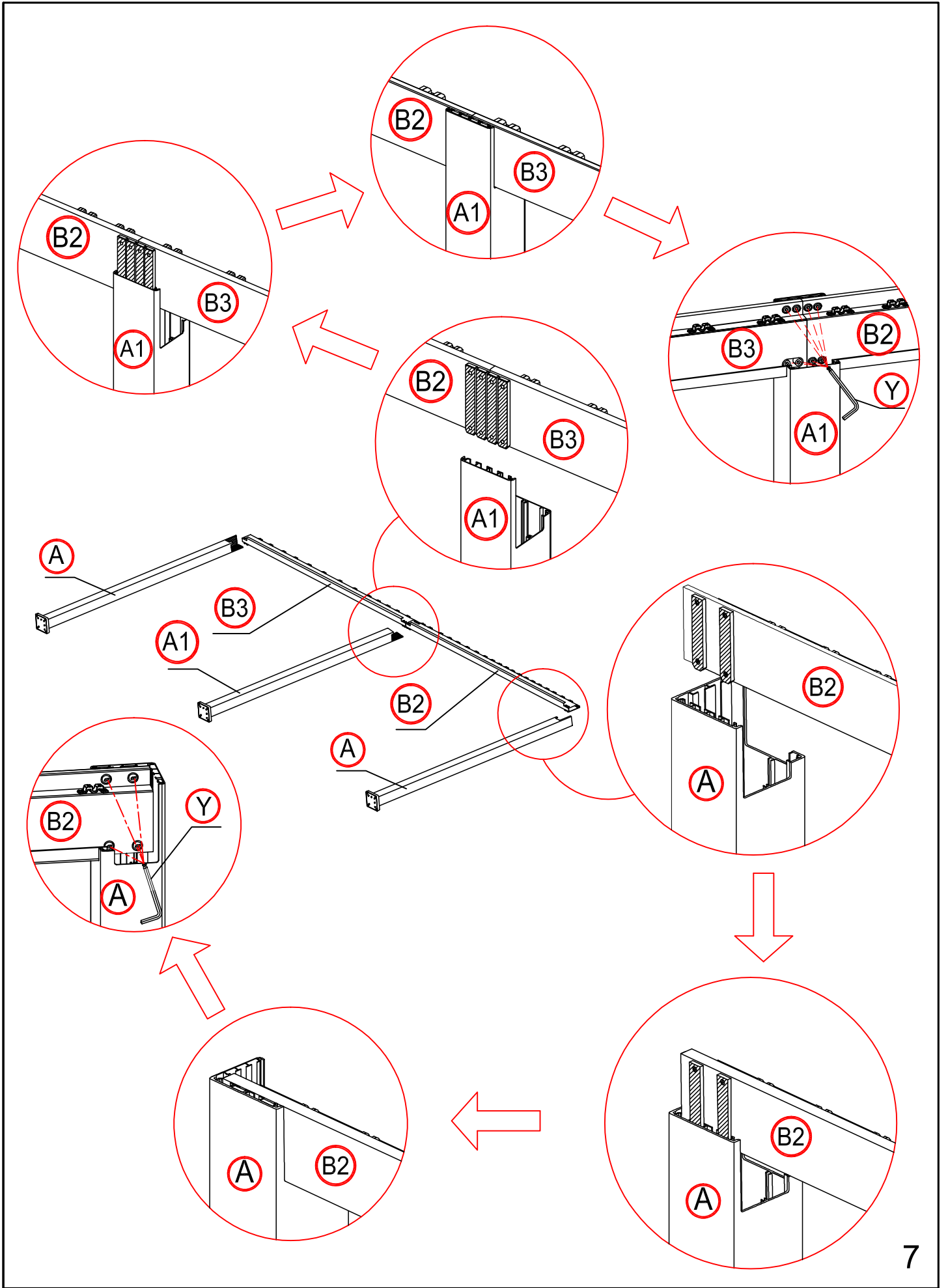
2

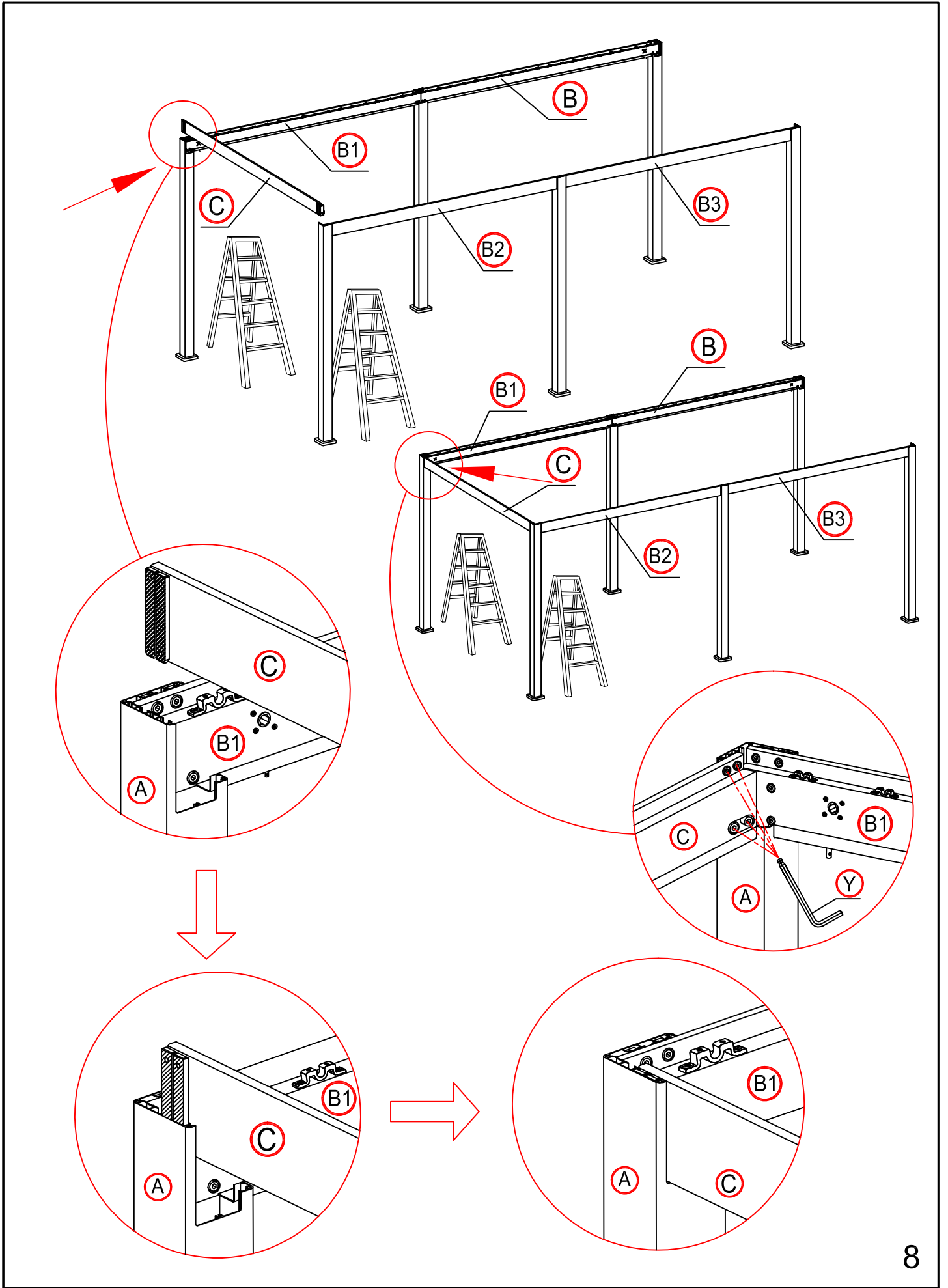


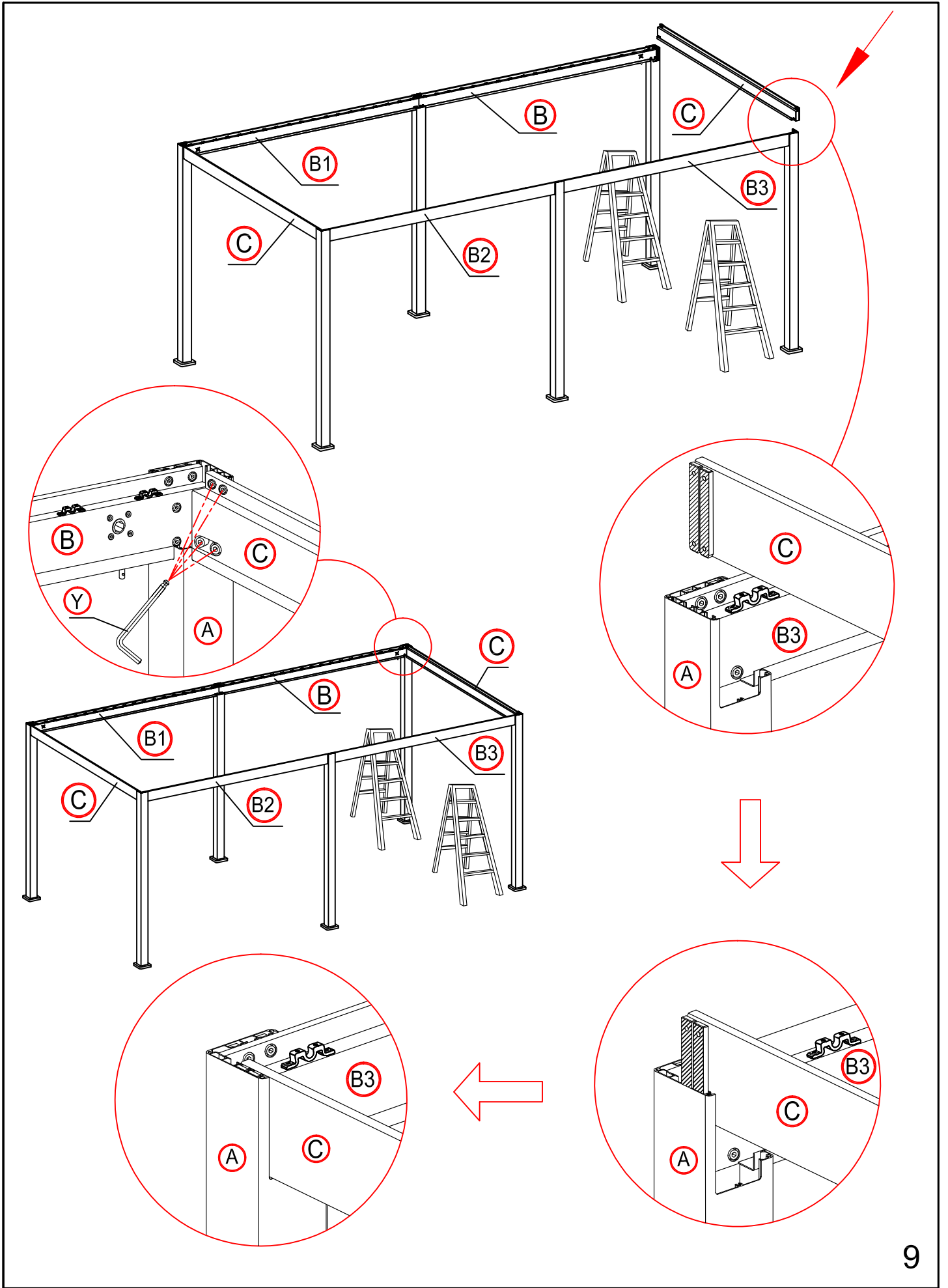
5

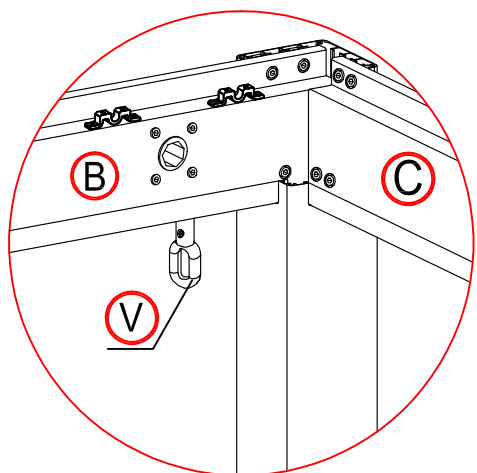
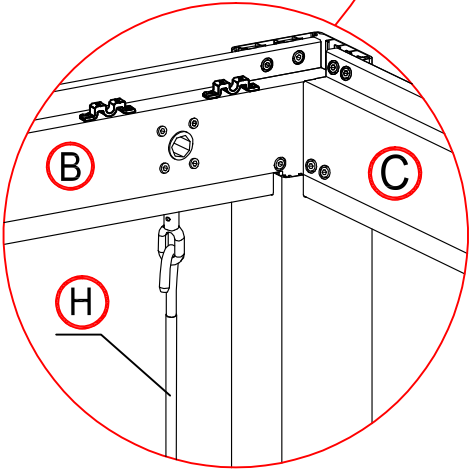
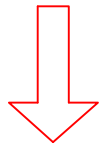
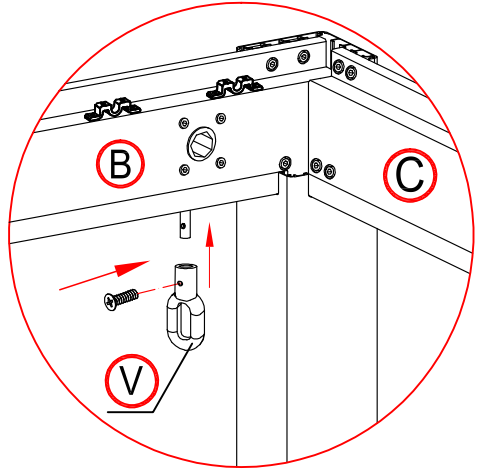
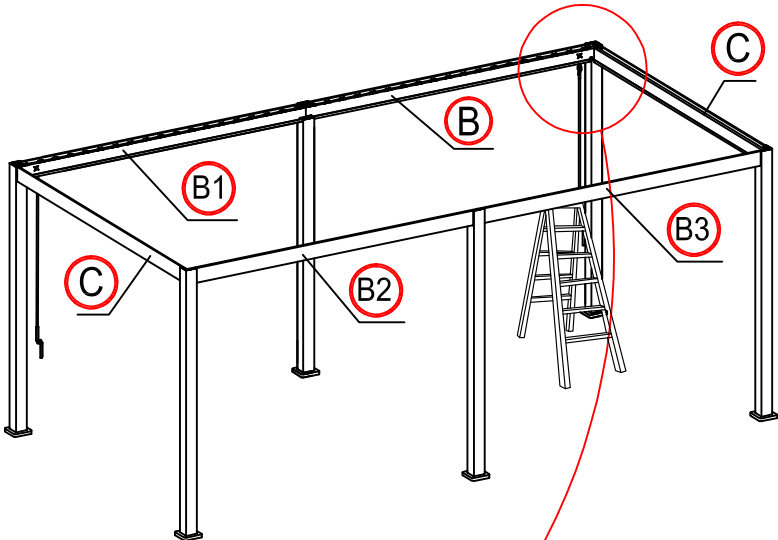
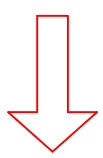
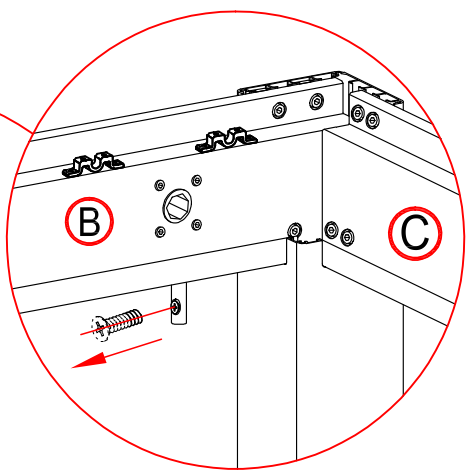
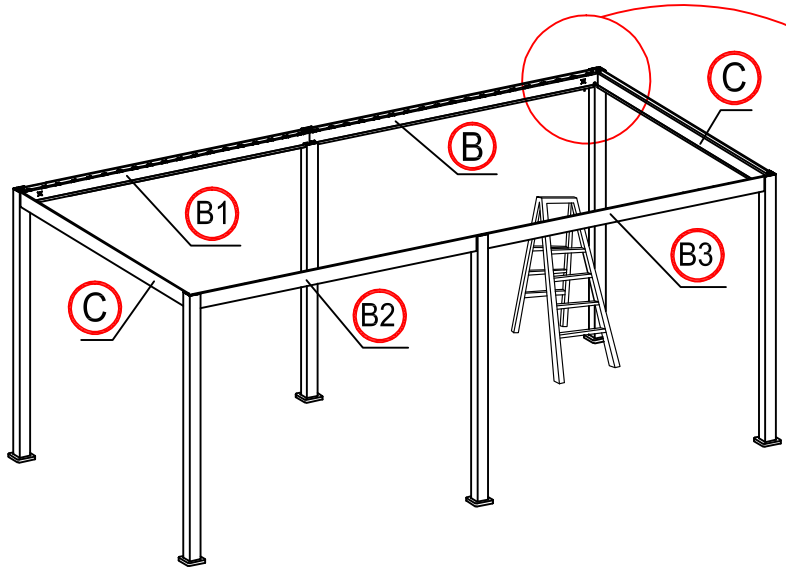




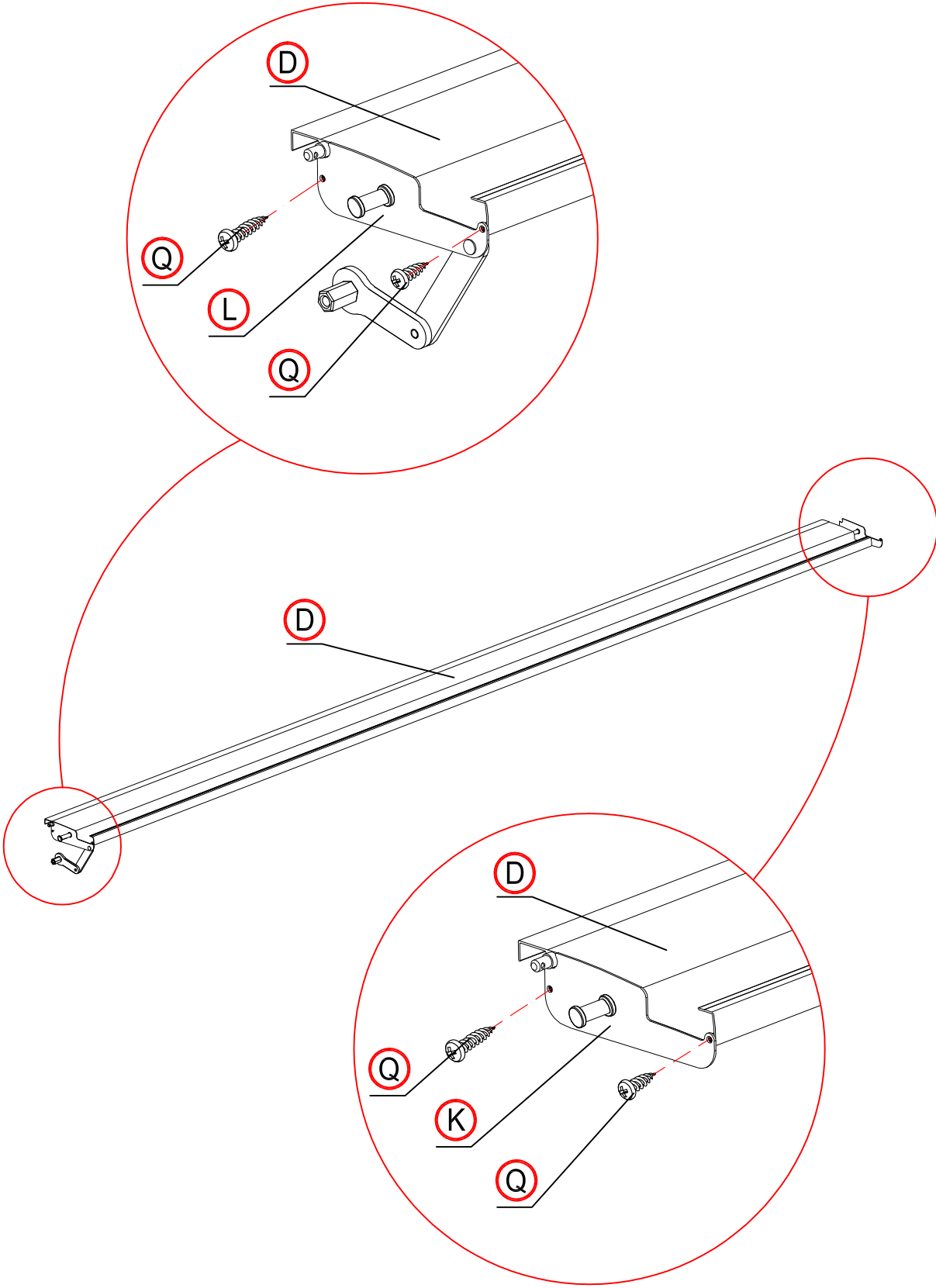




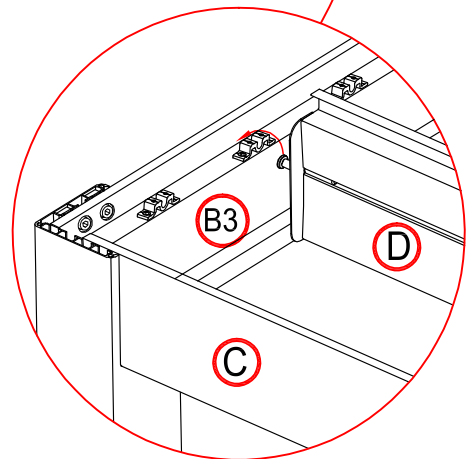
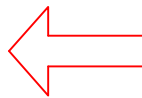
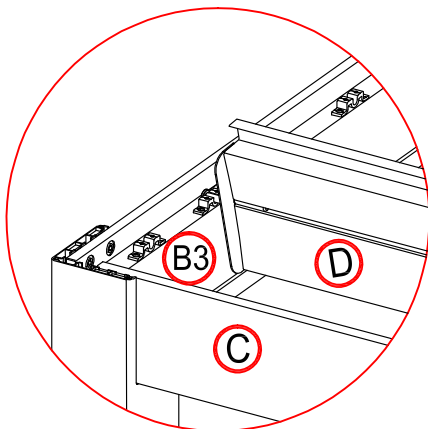
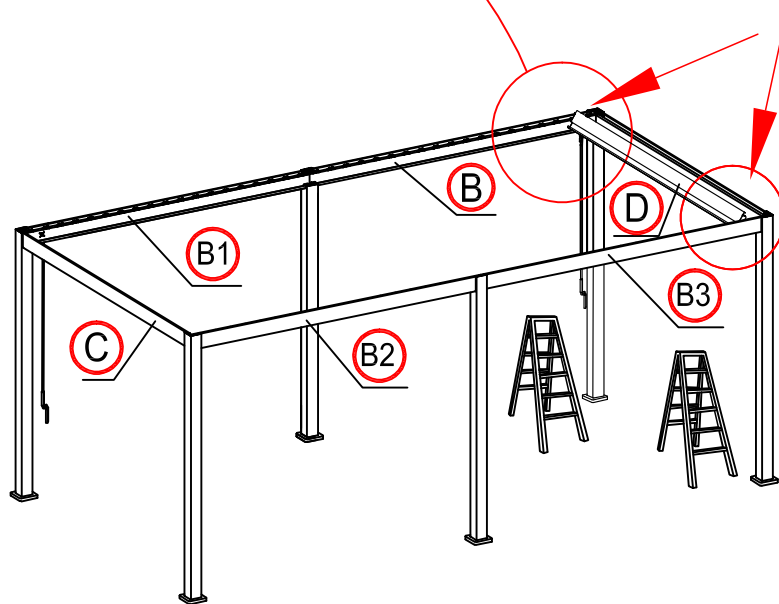
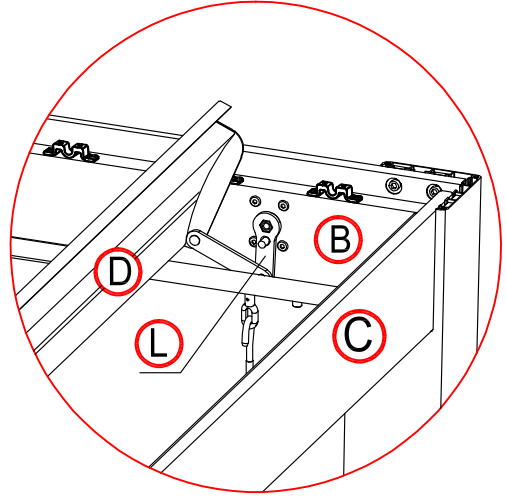
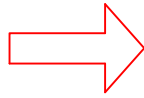
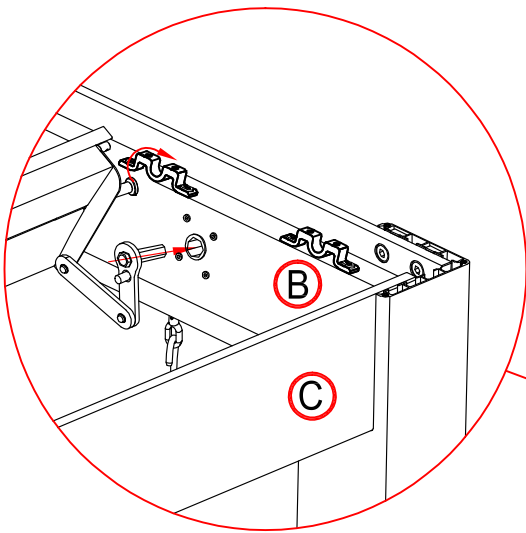


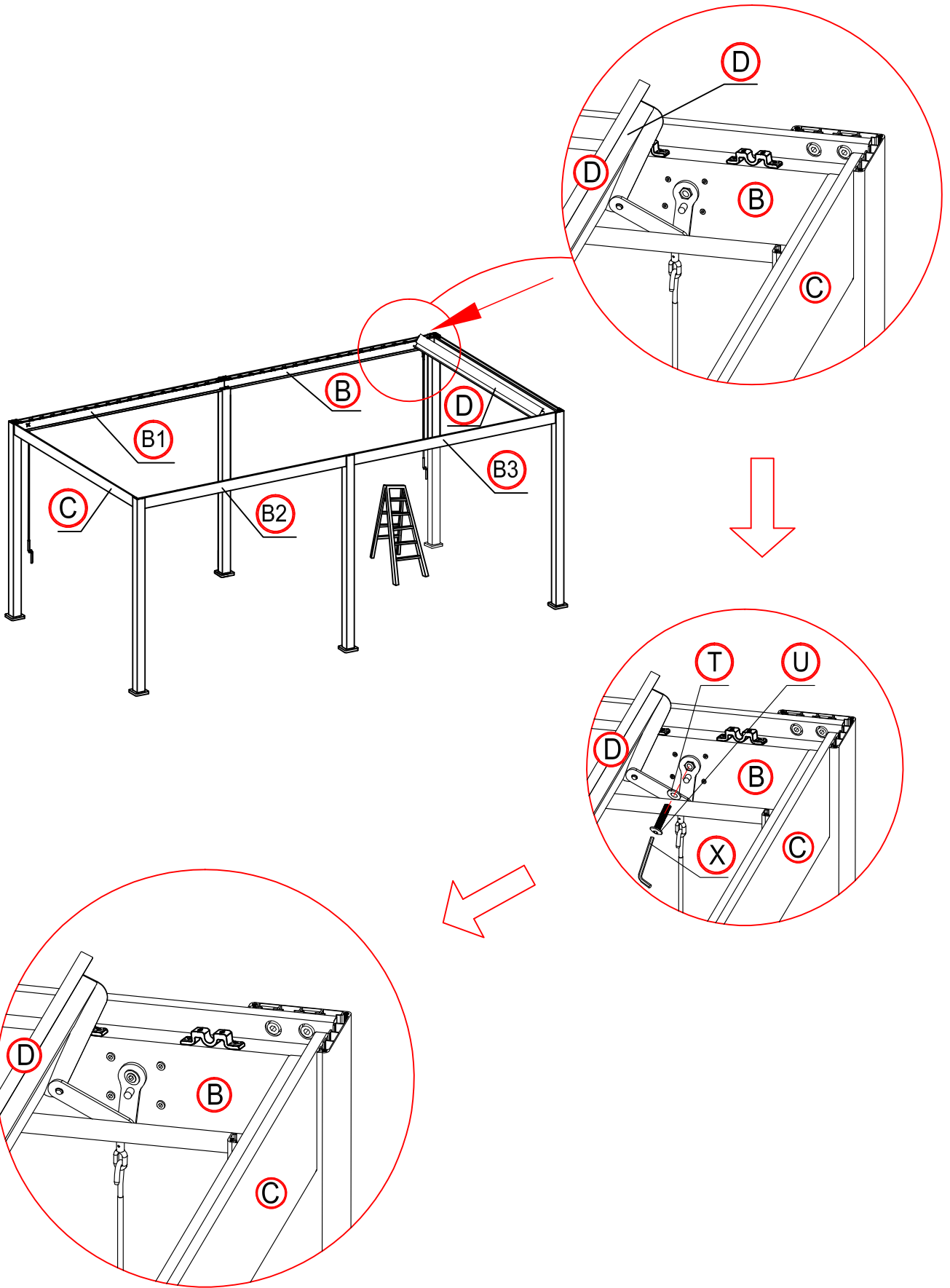


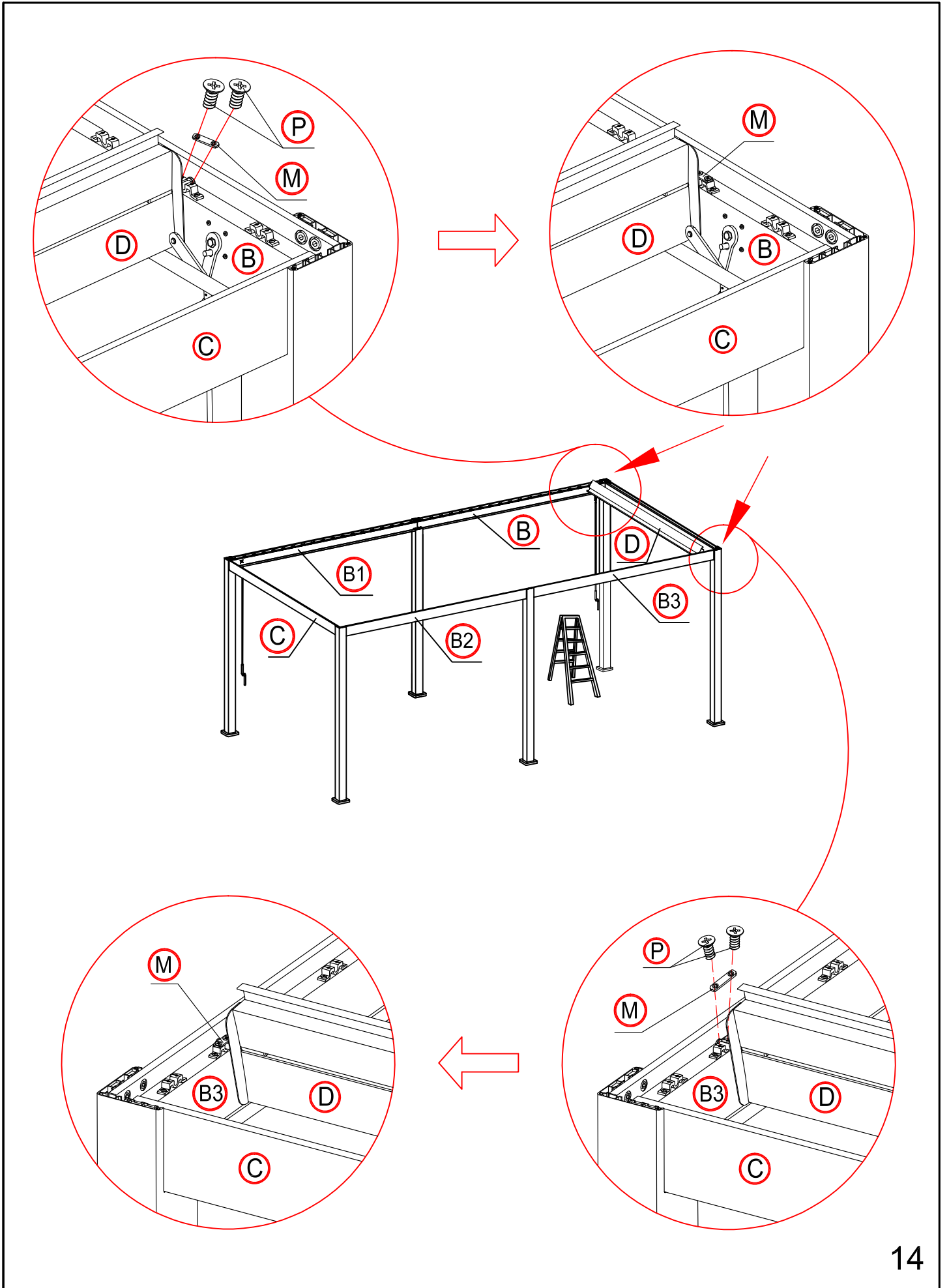
×2 times



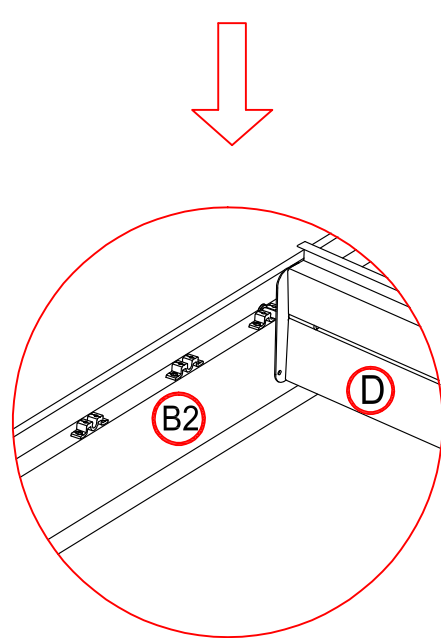
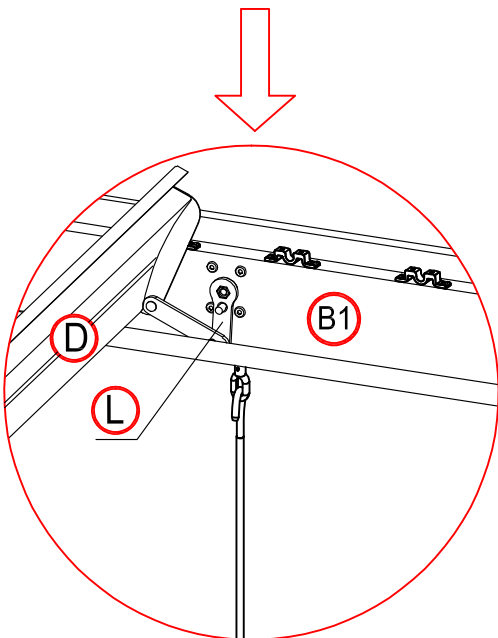
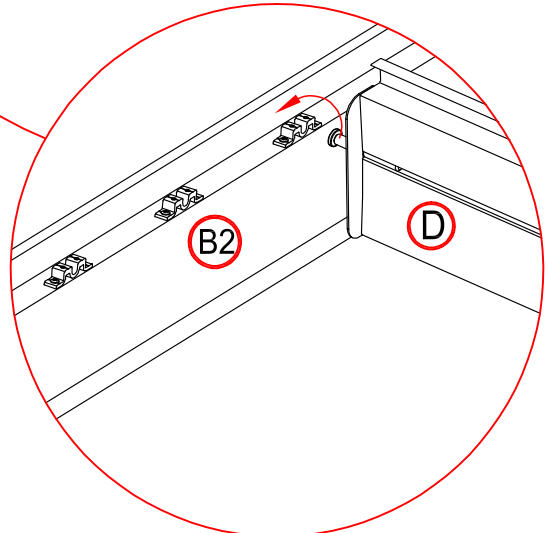
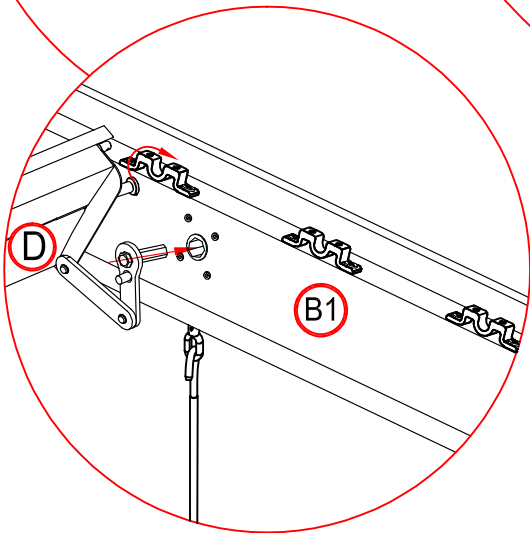
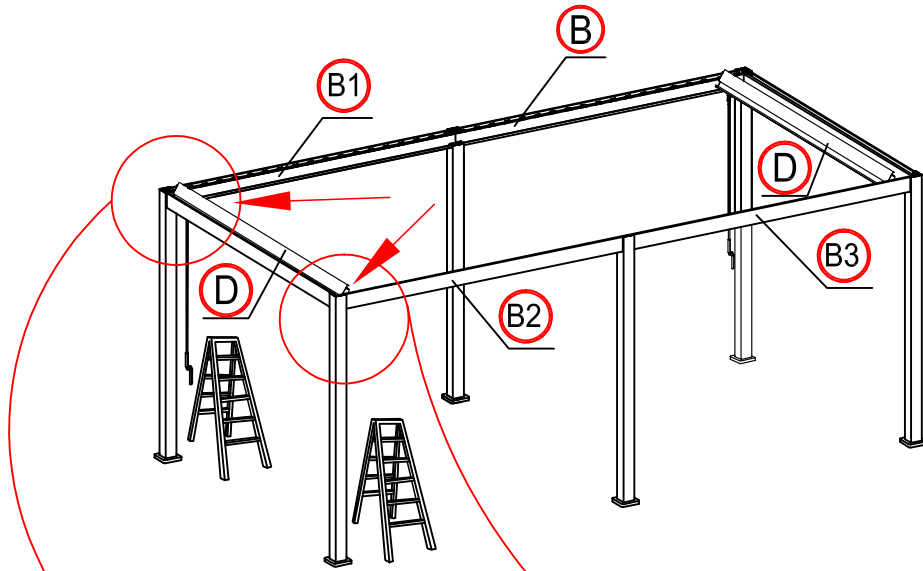
Assemble the second slice to the right.

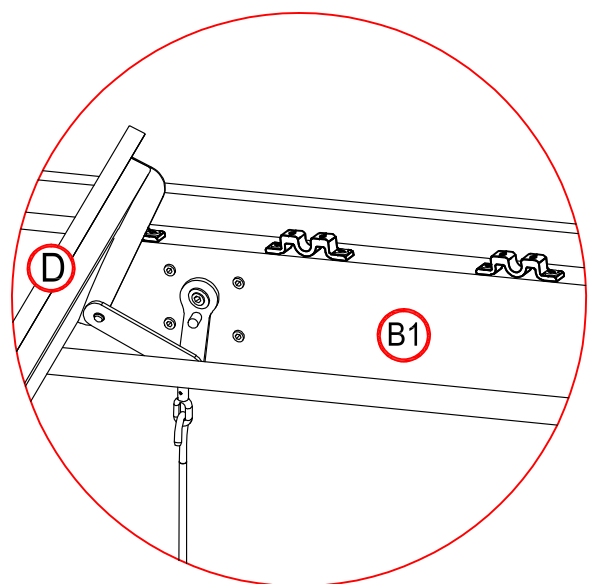
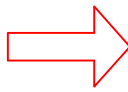
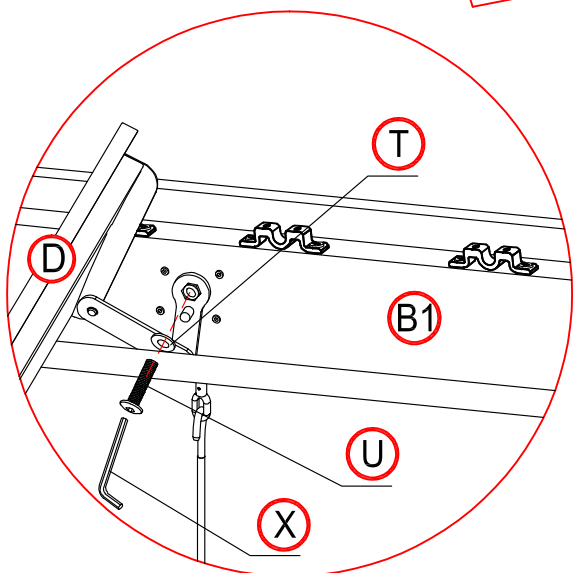
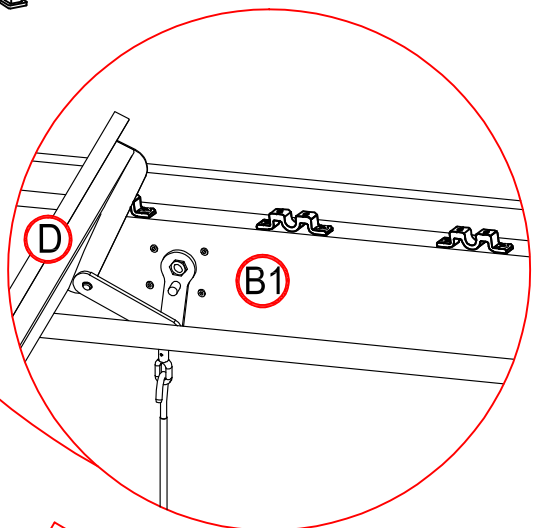
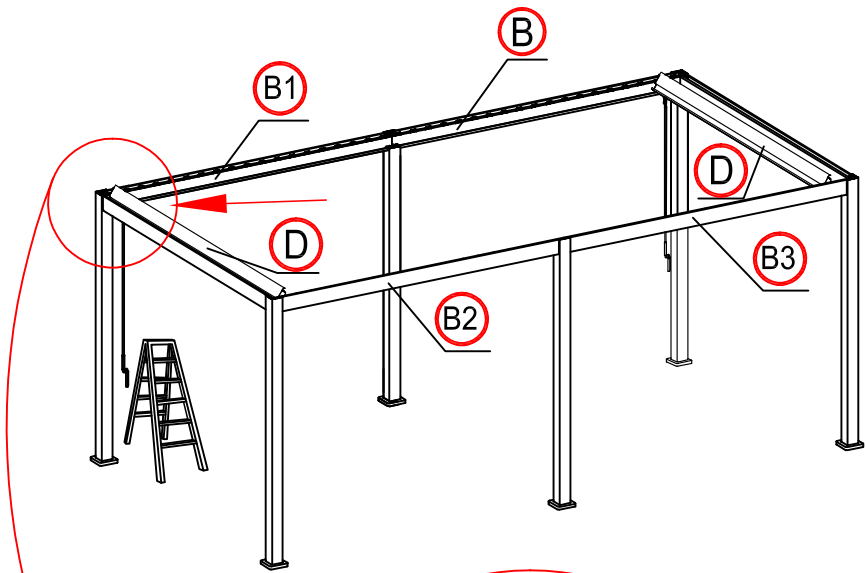


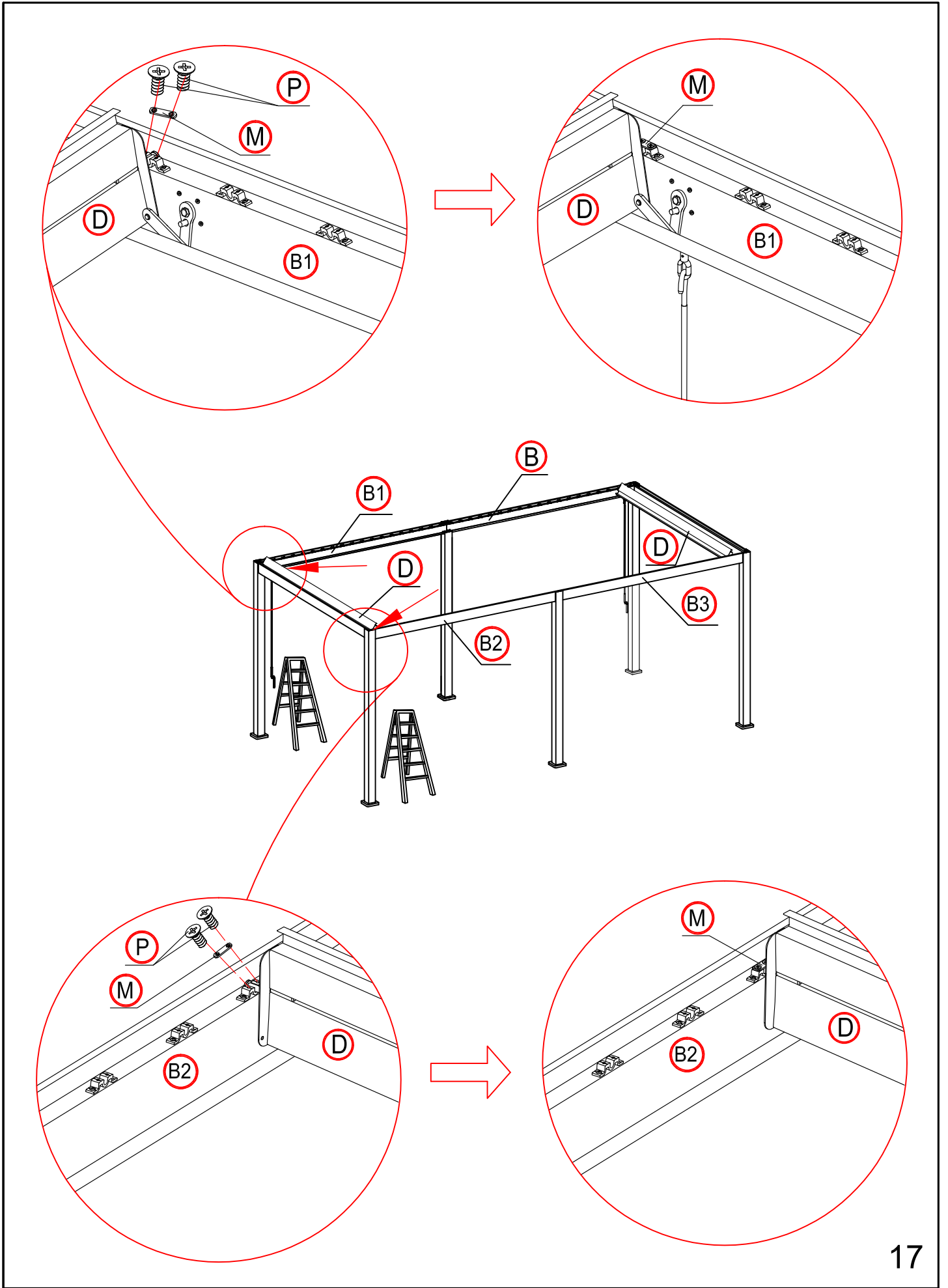




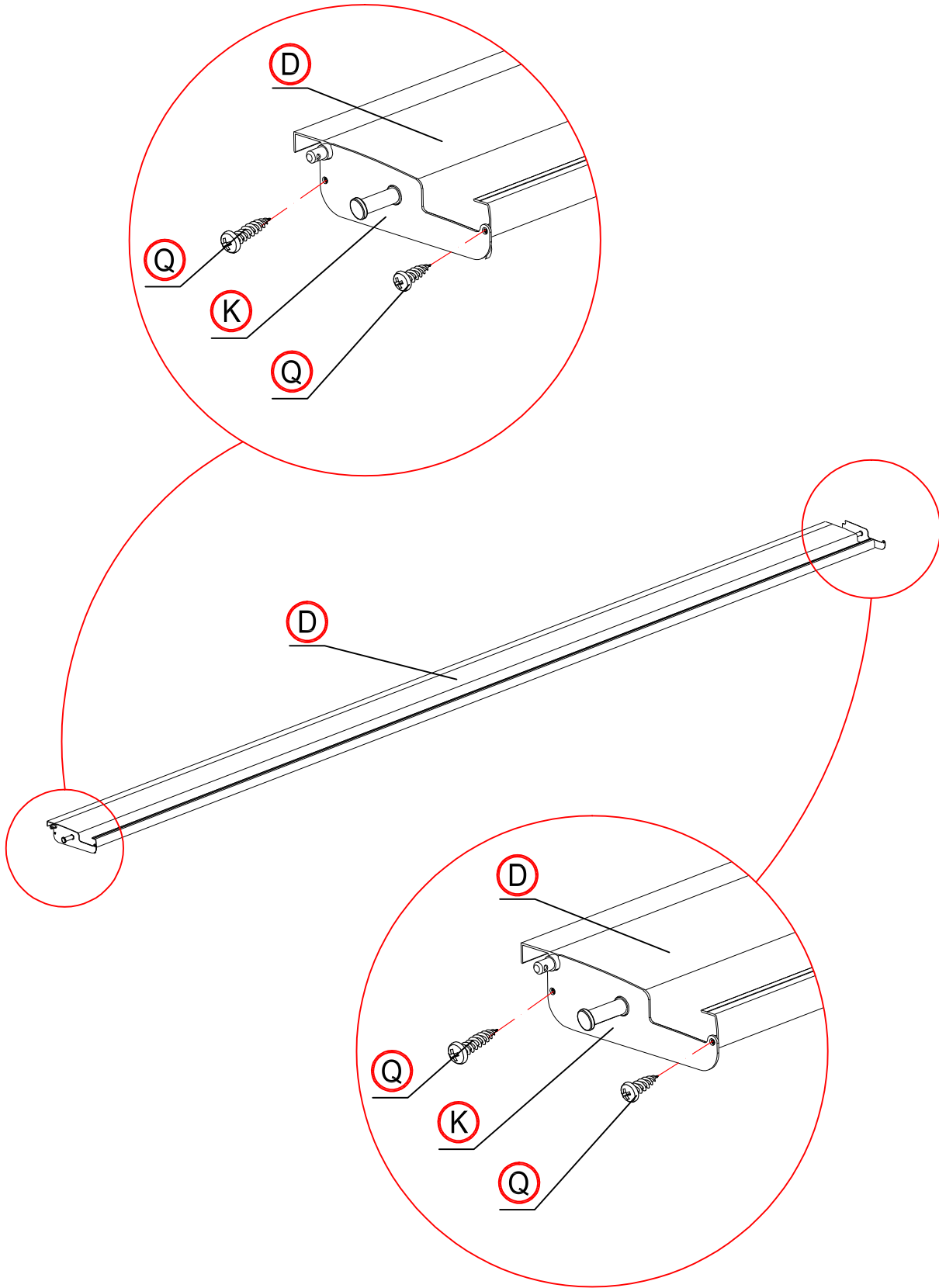
Assemble the first slice to the left.

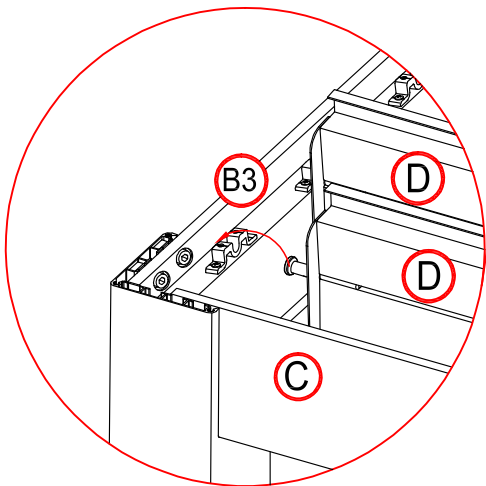
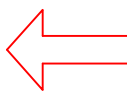
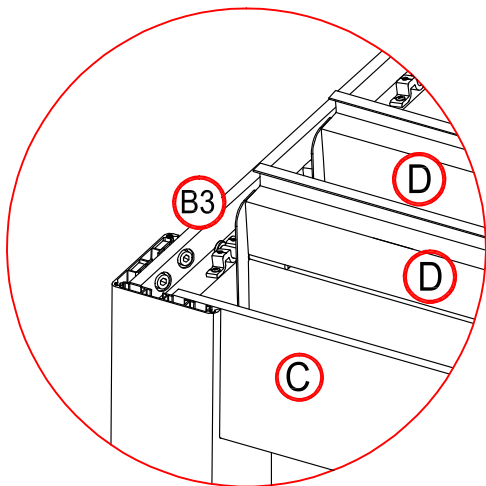
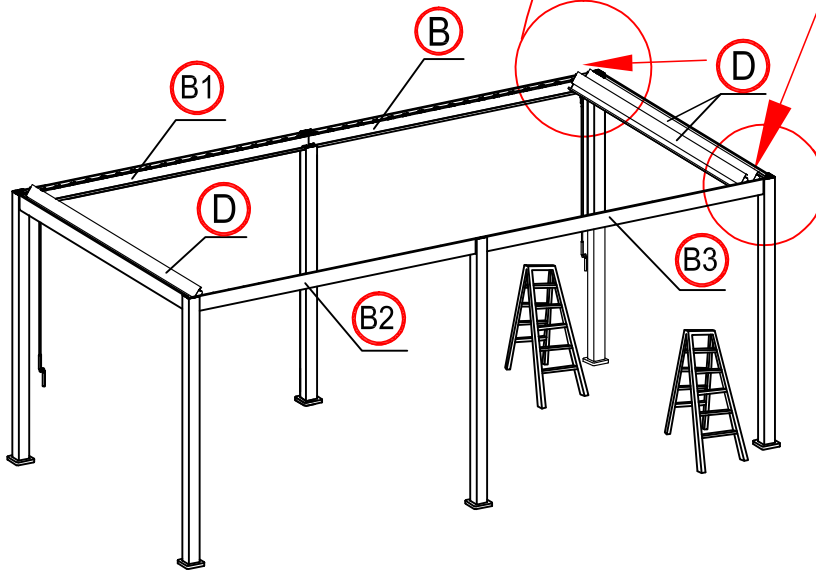
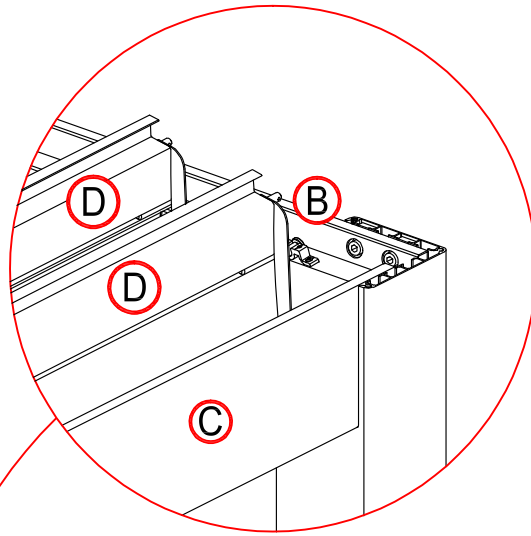
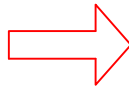
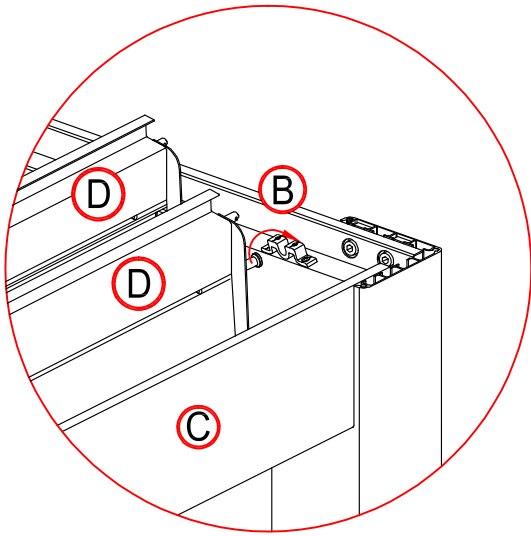


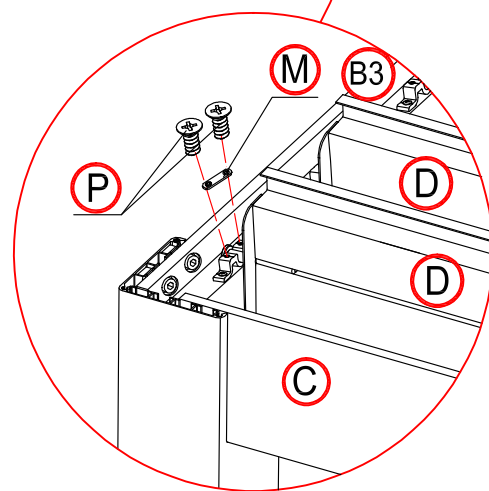
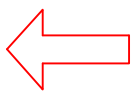
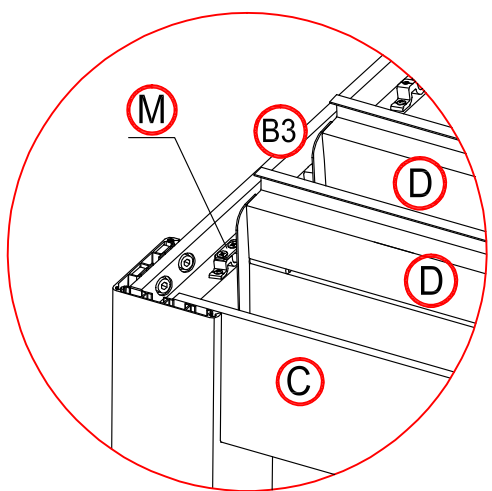
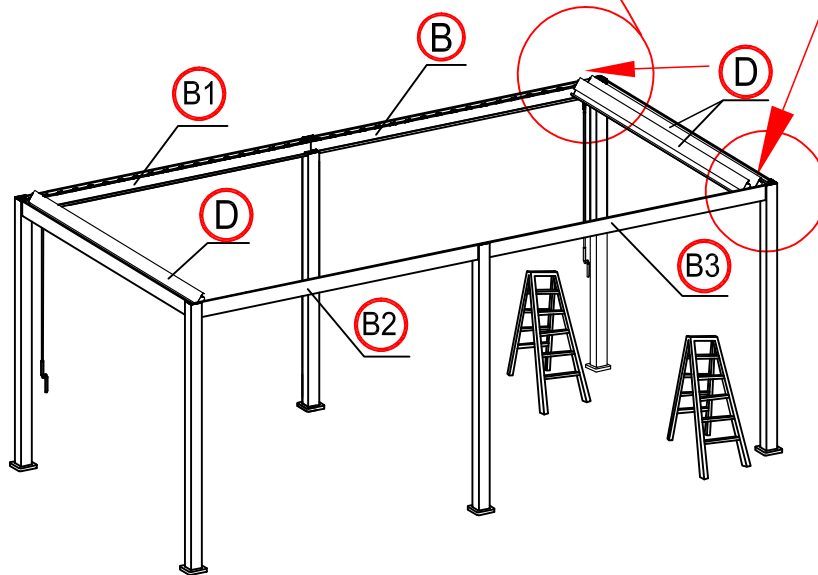
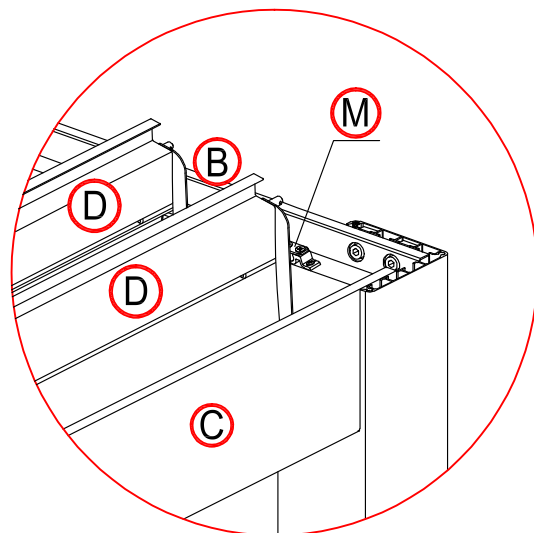
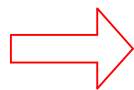
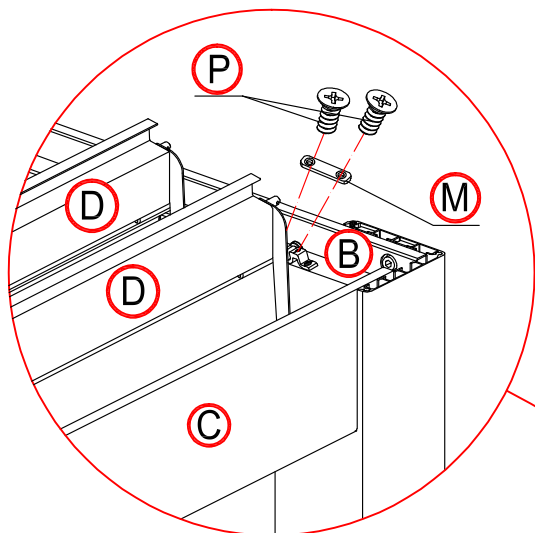




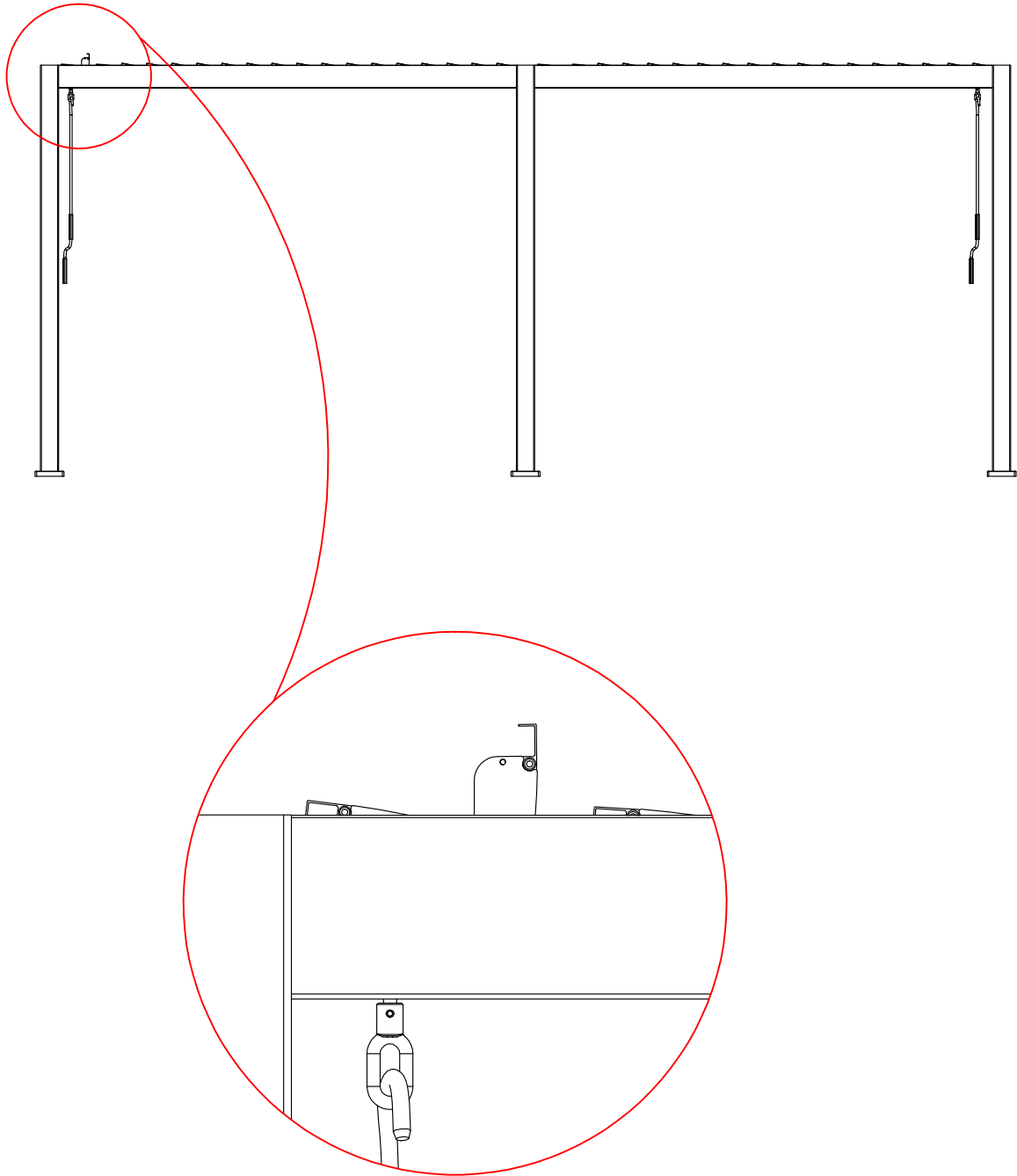
×36 times

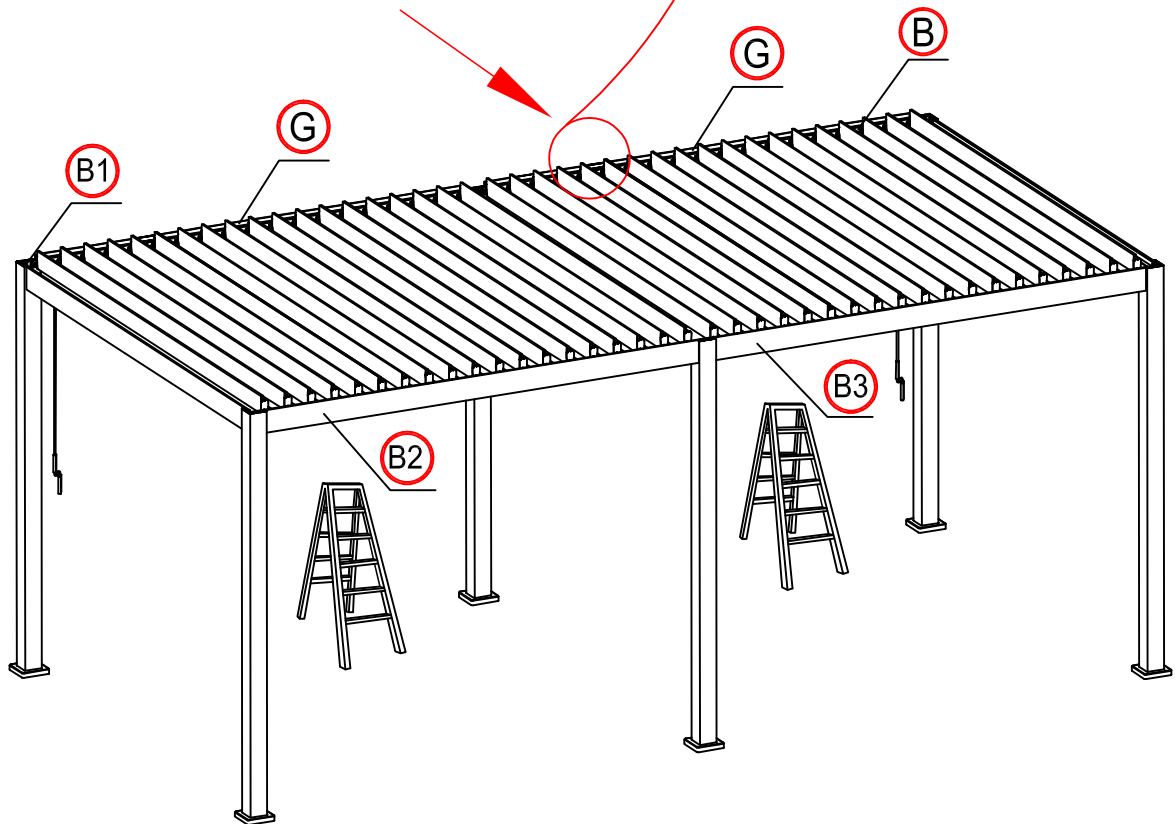
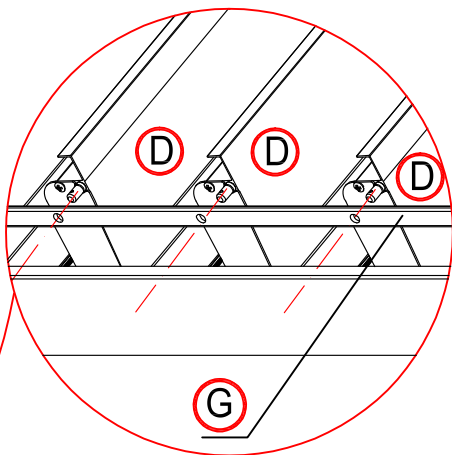
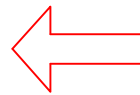
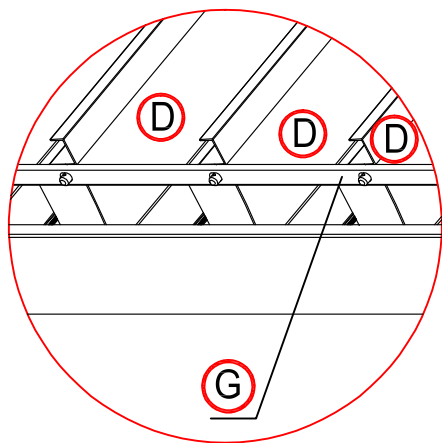
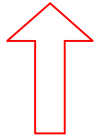
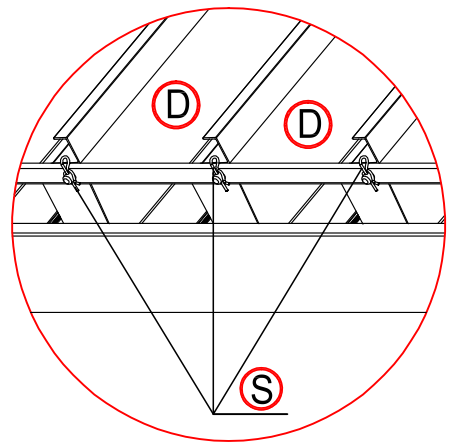
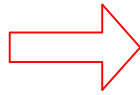
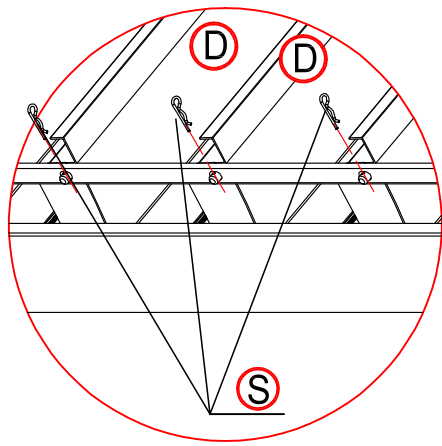


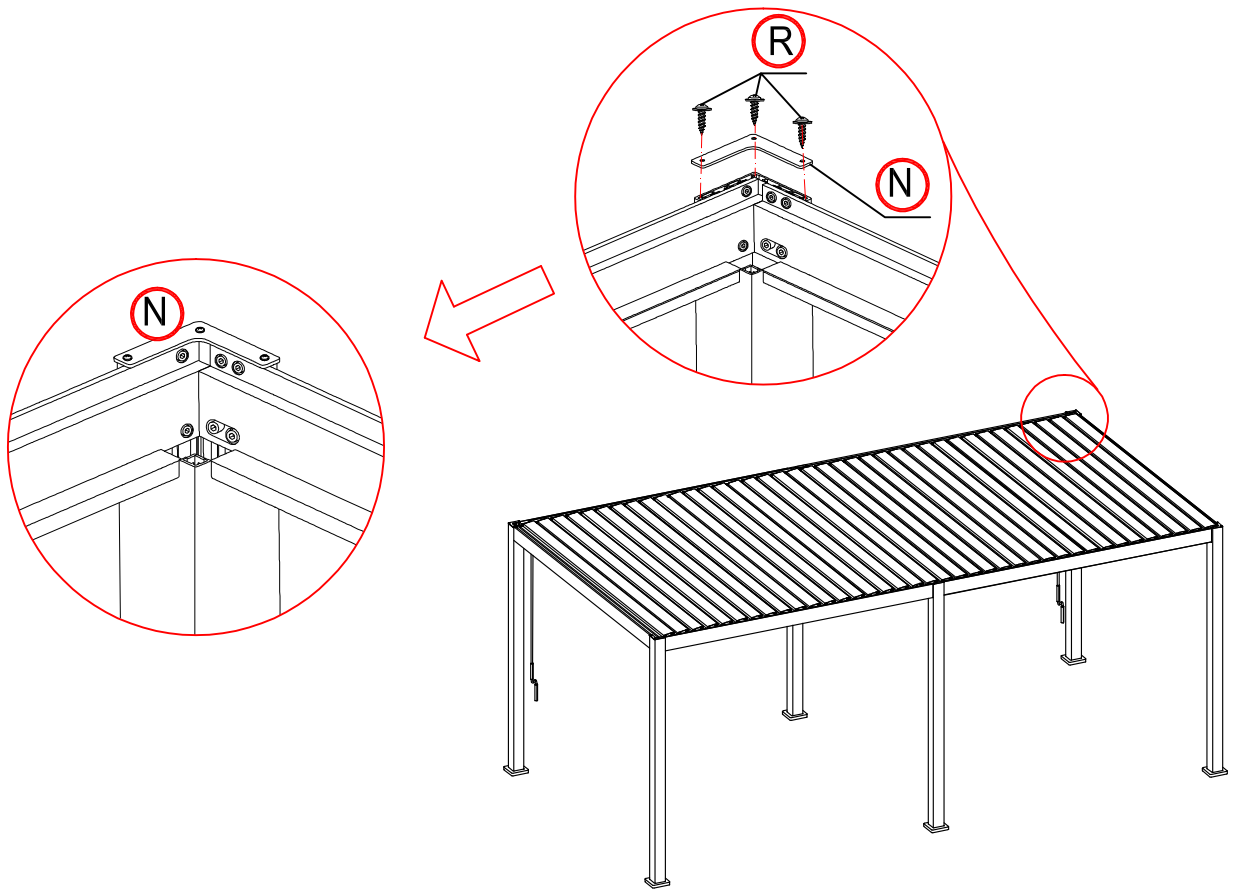




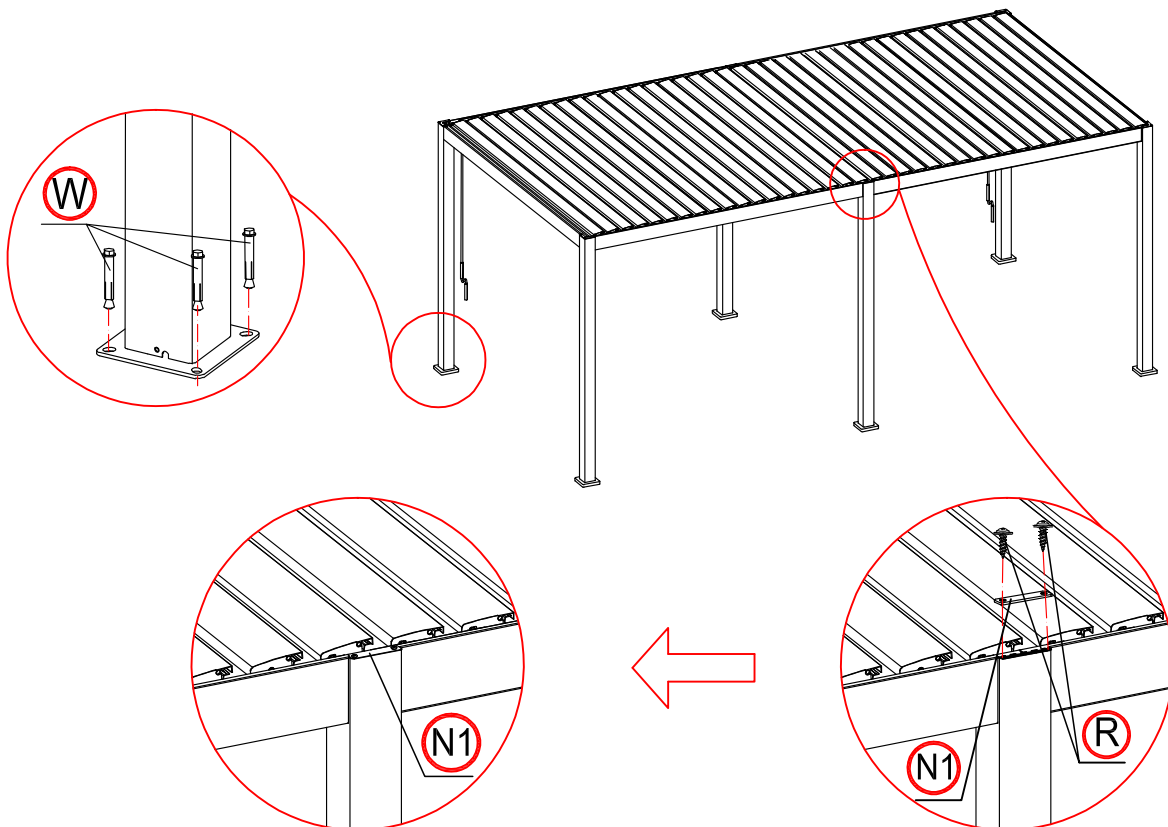
Make the shutter as vertical.







23



24

24

