

CONTENTS
DISCLAIMER AND SAFETY GUIDELINES 01
MAINTENANCE AND CARE 03
PACKING LIST 04
FLIGHT PREPARATION 05
FLIGHT OPERATION GUIDE 10
Remote Operation Guide 10
Pair the Remote with the Drone 10
Flight Calibration 11
Compass Calibration 12
Gyro Calibration 13
GPS Satellites Searching 14
Flight Instructions 14
Take-off 14
Flight Directions 16
Photo / Video 17
Speed Switch 17
Headless Mode 17
Point of Interest (POI) 18
Altitude(ATTI) Mode 20
Flight Trimming 21

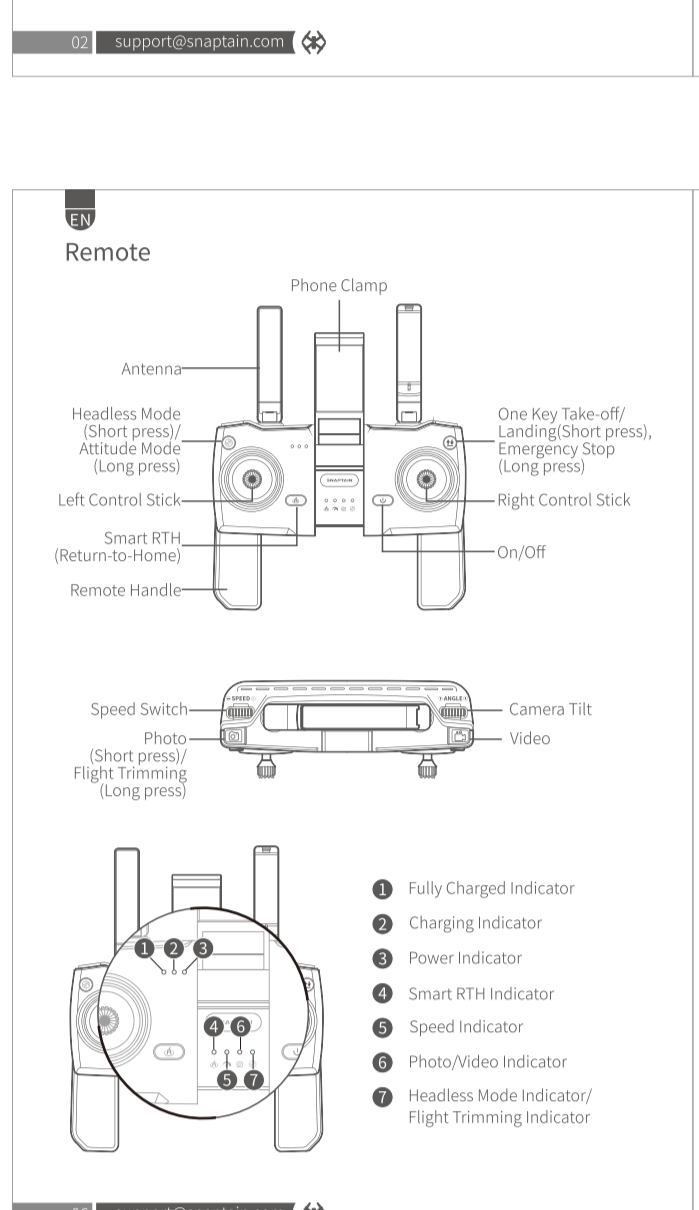
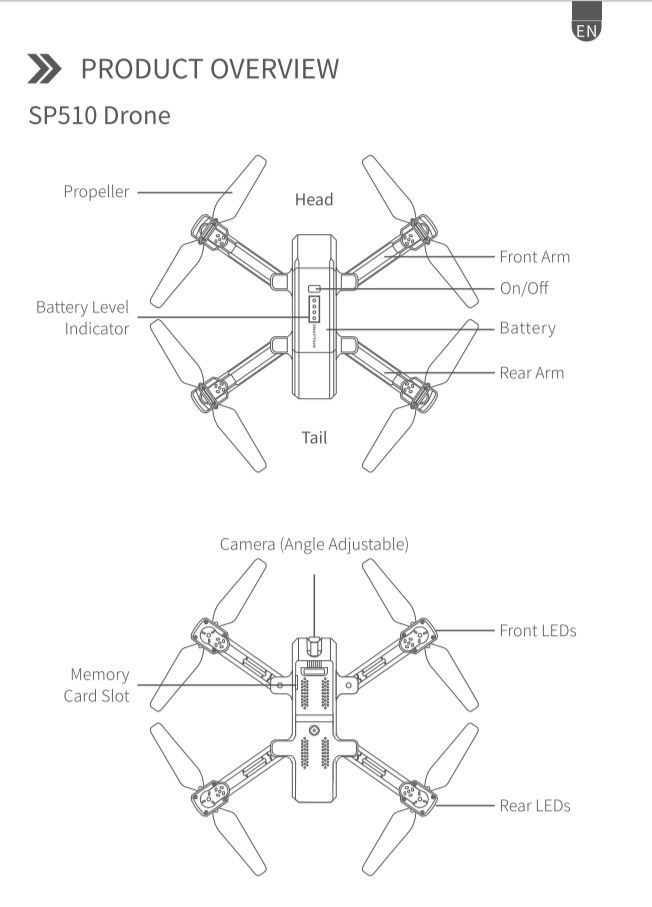
Return-to-Home (RTH) 21
Smart RTH 21
Fail-safe RTH 23
Low Battery RTH 24
Landing 24
Emergency Stop 25
APP OPERATION GUIDE 26
App Downloading and Installation 26
App Launch 26
Function Overview of the App 27
Settings 29
Take Off 30
Follow Me 30
Mark and Track 31
Waypoints 32
Photo / Video 33
Captures for Photo / Video 33
Smart RTH 33
Landing 34
PARAMETERS 34
TROUBLESHOOTING 35

DISCLAIMER AND SAFETY GUIDELINES
Please read the disclaimer carefully before using the product. By using it, you hereby agree to accept the disclaimer and agree that you have read them thoroughly.
1. Before flight, please make sure you are familiar with a structure and/or the instruction from a professional.
2. DO NOT fly above or near obstacles, crowds, open water, public road, high voltage power lines, etc.
3. DO NOT use the drone in severe weather conditions, such as a heavy rain, dry fog or windy (wind speed more than 5km/h, snow, hail, lightning, thunder, hail, etc.).
4. DO NOT fly the drone in the magnetic interference area, radio interference area, and government registered air zones.
5. The fast rotating motors and propellers are a potential hazard to cause serious damage and injury. A safe distance of 5m must be maintained from the drone at all times while it is operationally fly with responsibility.
6. Please maintain line of sight of your drone at all times after it is powered up. Do not rely on the camera image to control your drone.

7. This product is a toy and not recommended for users under age 14.
8. This product is not intended for professional aerial cinematography.
9. All parts must be kept out of the reach of children to avoid CHOKED HAZARD.
10. CAUTION: Do not charge and batteries in accordance with local regulations. DISPOSE OF as hazardous waste.
11. Be sure to observe all local regulations, obtain appropriate authorizations and understand local laws. Please note it is solely your responsibility to comply with all relevant regulations.
SNAPTAIN accepts no liability for damage, injury or any legal responsibilities incurred directly or indirectly from the use of this product. The user shall observe national and local laws and regulations. Please refer to the local laws and regulations. The user shall observe the Disclaimer and Safety Guidelines. SNAPTAIN reserves the right to update this user manual.

MAINTENANCE AND CARE
1. Thoroughly check the drone after each or regular impact.
2. Do not clean the drone with water. Dry clean away from direct sunlight.
3. Do not charge the battery if it is hot. Let it cool down first.
4. Do not charge the battery next to inflammable materials, such as bed, carpet, wood floor, etc., or on surfaces that are electrically conductive. Do not leave the battery unattended while charging.
5. ONLY use the original charger provided. Using other charger may be fully charged.
6. Remove the battery from the drone if it will not be used for a long time.
7. Do not use the drone more than 20 minutes per flight.
8. Be sure to clean off your drone with a dry cloth to prevent grime from getting onto the electronics.
9. Some parts of the drone and the remote are coated with lubricant, which may weaken during use. Please use a suitable lubricant.
10. Do not try to disassemble or repair the product by yourself. Please contact SNAPTAIN for more help.

- PACKING LIST
SP510 Drone x1
Remote x1
Li-Ion Battery x1
USB Cable x1
Screwdriver x1
Spare Propeller x4
Spare Motor x4
Spare Screw for Propeller x4
User Manual x1



FLIGHT PREPARATION
1. Charge the battery, then insert it into the drone after it's fully charged.
2. Turn on the drone and make sure it is fully charged.
3. Turn on the remote and make sure it is fully charged.
4. Turn on the drone and make sure it is fully charged.
5. Turn on the remote and make sure it is fully charged.

FLIGHT INSTRUCTIONS
1. Insert an memory card into the drone (Optional).
2. Charge the remote. It takes 1.5-2 hours to reach a full charge.
3. Unlink the Remote mode and Antenna.
4. Link the Remote mode and Antenna.

PRODUCT OVERVIEW
Note: Please don't adjust the camera angle manually to avoid damage to it.

FLIGHT OPERATION GUIDE
IMPORTANT
Make sure you power on the drone first, then the remote in flight.
Pair the remote with the drone.
Remote Operation Guide
Pair the Remote with the Drone
Step 1: Turn on the remote by pressing and holding the On/Off button for 3s until the four LEDs on the battery light up, then place it on a flat surface with the four LEDs on the same side as the drone's four LEDs.

FLIGHT PREPARATION
Step 1: Fully charged indicator
Step 2: Charging indicator
Step 3: Power indicator
Step 4: Smart RTH indicator
Step 5: Speed indicator
Step 6: Photo/Video indicator
Step 7: Headless Mode indicator
Step 8: Flight Trimming indicator

Compass Calibration
Step 1: Hold the drone vertically and make a 360 degree rotation at least once until the four LEDs on the drone turn red and red, which indicates a successful horizontal calibration.
Step 2: Hold the drone vertically and make a 360 degree rotation at least once until the four LEDs on the drone turn red and red, which indicates a successful vertical calibration.

FLIGHT INSTRUCTIONS
1. Insert an memory card into the drone (Optional).
2. Charge the remote. It takes 1.5-2 hours to reach a full charge.
3. Unlink the Remote mode and Antenna.
4. Link the Remote mode and Antenna.

GPS Satellites Searching
Go to Snaptain New App to check the GPS signal level (the detailed information on page 30). Then wait until the drone shows enough GPS satellites. It's ready to take off if the GPS signal shows 4 bars. The four LEDs and the four LEDs turn red when there is a strong GPS signal (4 bars). Please fly the drone outdoors where GPS signal is strong.
Note: We strongly recommend GPS for beginners.

Flight Calibration
Step 1: Turn on the remote and make sure it is fully charged.
Step 2: Turn on the drone and make sure it is fully charged.
Step 3: Turn on the remote and make sure it is fully charged.

Flight Directions
Left Control Stick
Right Control Stick
Push the Left Control Stick forward and the drone will ascend.
Push the Right Control Stick forward and the drone will ascend.

Photo/Video
Short press to take a photo.
Long press to start recording a video.
Speed Switch
The speed of the drone is set to Medium speed by default.
Headless Mode
When you activate Headless Mode, the Headless Mode Indicator on the remote will turn blue.

Point of Interest (POI)
POI function enables the drone to fly around a defined subject.
Step 1: Fly the drone above the desired subject.
Step 2: Simultaneously press the Home and POI buttons on the remote to activate POI.

Flight Trimming
If the drone drifts forward/backward when flying, press and hold the Home and POI buttons on the remote to activate Flight Trimming.
If the drone drifts left/right when flying, press and hold the Home and POI buttons on the remote to activate Flight Trimming.

Return-to-Home (RTH)
The Return-to-Home(RTH) function brings the drone back to the last recorded Home Point above the drone's last set point of the GPS signal shows 3 bars or 4 bars and the compass is functioning normally.
Smart RTH
Press the Home button on the remote to initiate Smart RTH.

Emergency Stop
Press and hold the Emergency Stop button on the remote to stop the drone immediately.

RTH Distance
The distance between the drone and the last recorded Home Point where the drone took off from.
RTH Distance < 30m
If the current RTH distance is lower than the preset RTH altitude, the drone will ascend to the preset RTH altitude, then fly horizontally to above Home Point and descend to land.
RTH Distance > 30m
If the current RTH distance is higher than the preset RTH altitude, the drone will ascend to fly back to above Home Point at maximum flight altitude and land.

Flight Trimming
If the drone drifts forward/backward when flying, press and hold the Home and POI buttons on the remote to activate Flight Trimming.
If the drone drifts left/right when flying, press and hold the Home and POI buttons on the remote to activate Flight Trimming.

Low Battery RTH
The Low Battery RTH will be triggered when the drone battery is low.
RTH Distance < 30m
The drone will ascend to fly back to above Home Point at maximum flight altitude and land.
RTH Distance > 30m
The drone will ascend to fly back to above Home Point at maximum flight altitude and land.

Settings
Tap to start setting up your drone.
Flight Distance
Tap to set the maximum flight distance between the drone and last recorded Home Point.
Flight Altitude
Tap to set the maximum flight altitude of the drone.

APP OPERATION GUIDE
Download and install Snaptain New App on your mobile device from App Store/Google Play or scan the QR code.
App Launch
Tap to launch the app and log in with your mobile device.
Take Off
Tap to start the drone.
Follow Me
Tap to activate Follow Me mode.

APP OPERATION GUIDE
Step 1: Turn on cellular data, then go to the Wi-Fi setting of your mobile device and connect to the Wi-Fi network of Snaptain New App.
Step 2: Tap to launch the app and log in with your mobile device.

Return-to-Home (RTH)
Smart RTH
Fail-safe RTH
Low Battery RTH
Landing
Waypoints
Mark and Track

Settings
Flight Distance
Flight Altitude
RTH Altitude
RTH Altitude
Smart RTH

APP OPERATION GUIDE
Take Off
Follow Me
Waypoints
Mark and Track

APP OPERATION GUIDE
Step 1: Turn on cellular data, then go to the Wi-Fi setting of your mobile device and connect to the Wi-Fi network of Snaptain New App.
Step 2: Tap to launch the app and log in with your mobile device.

Return-to-Home (RTH)
Smart RTH
Fail-safe RTH
Low Battery RTH
Landing
Waypoints
Mark and Track

Settings
Flight Distance
Flight Altitude
RTH Altitude
RTH Altitude
Smart RTH

PARAMETERS
Motor: 3000 Coreless
Control Range: 1000m
FPV Range: 4300m
Maximum Flight Relative Height: 120m
Flight Time: 15-20min
Charging Time: 2-3h
Wi-Fi: 5G
Photo Resolution: 3840 x 2880 (for mobile device) / 2592 x 1920 (for memory card)
Video Resolution: 3840 x 1080(25FPS) (mobile device) / 2592 x 1440(25FPS) (memory card)
Photo Format: JPG
Video Format: MP4
Storage: Save to the mobile device and memory card(support up to 128G)
Mobile App Requirement: Android 4.4 and later, iOS 9.0 and later

TROUBLESHOOTING
Q1: The LEDs of the drone keep flashing red after pairing.
Q2: The drone can't take off.
Q3: The video is lagging.
Q4: I can't connect to the drone via Wi-Fi.
Q5: How to use the app?
Q6: The drone can't make a point following.
Q7: How to use the app?
Q8: How to use the app?
Q9: How to use the app?

FCC Caution
Any change or modification not expressly approved by the party responsible for this device is prohibited.
ISPEC Warning
This device complies with Industry Canada's radio frequency (RF) standards.
CE Marking
This device complies with CE marking requirements.

CAUTION
Do not use the drone in severe weather conditions.
RECYCLING
This product bears the recycling symbol for waste electrical and electronic equipment (WEEE).
BATTERY MUST BE RECYCLED PROPERLY
Manufacturer: Shenzhen Wan Top Technology & Innovation Co., Ltd.

尺寸:90mmx140mm
版本号:V4.01
装订方式:钉装