

CENTURION[®]

STONE

Technical Data

- Descriptions -

- Patterns -

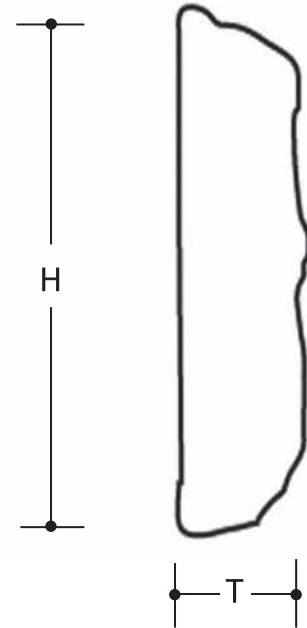
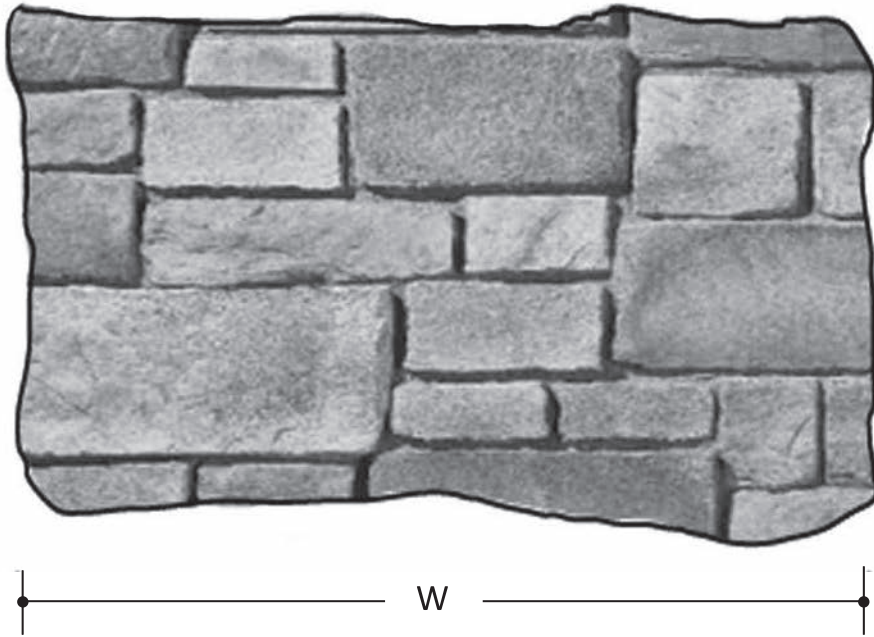
- Dimensions -

Table of Contents

STONE PATTERNS		
Name	Code	Page #
ASHLAR	230	3
BILTMORE	400	4
CANYON LEDGE	280	5
CATHEDRAL	140	6
CENTURION CASTLE	070	7
CHEROKEE	450	8
CHEYENNE	480	9
CUTFACE	270	10
DESIGNER SERIES	290	11
DIMENSIONAL SLATE	893	12
ELKMONT	460	13
FIELDSTONE	020	14
FLINT RIDGE	430	15
FOUNDATION	530	16
GEORGETOWN	440	17
HACKETT	050	18
LEDGESTONE	150	19
MESA	420	20
MILANO	485	21
MOUNTAIN LEDGE	210	22
MULTI-LEDGE	146	23
OMAHA	475	24
PALOS VERDE	040	25
PLANTATION	295	26
RIVER ROCK	080	27
RUBBLE	250	28
RUSTIC	900	29
SILHOUETTE LEDGE	160	30
SPLITFACE	200	31
STACK	100	32
VINEHILL	410	33
WEATHEREDGE	260	34

ACCESSORIES		
Name	Code	Page #
ADDRESS PLAQUE	790	35
	791	35
BEVELED COLUMN CAP	580	36
	867	36
	868	36
BEVELED WALL CAP	861	37
	862	37
BRICK TRIM PIECE	755	38
CHISELED WATER EDGE	875	39
COACH LIGHT TRIM	885	40
	887	40
DOOR BELL PLATE	815	41
FLAT COLUMN CAP	865	42
	869	42
FLAT WALL CAPSTONE	555	43
	569	43
HEARTHSTONE	860	45
KEYSTONE	634	45
	880	45
OUTLET BOX TRIM	886	46
	888	46
QUOIN CORNERS	301	47
QUOIN FLATS	302	48
	303	48
RETRO SILL	597	49
ROCK FACE SILL	878	50
RUBBLE WINDOW STONE	610	51
	612	51
	613	51
	615	51
	616	51
SHUTTER STRIP	810	52
SPLIT FLAT COLUMN CAP	866	53
TRIM STONE	611	54
WATER BIB TRIM	890	55

ASHLAR #230



PATTERN DESCRIPTIONS AND DIMENSIONS

Pattern	Texture	Installation	T	H	W	Rec Joint
ASHLAR	Assortment of sizes and shapes in an organized pattern. Face of pieces flat but with texture.	Installed with the longest side down and level. A joint is required with this pattern.	1.5" to 2"	6" to 15"	6" to 15"	3/4"

Color Name	Product Code
BUCKS COUNTY	230-701-25
ODESSA FALLS	230-365-25
PENNSYLVANIA	230-800-25

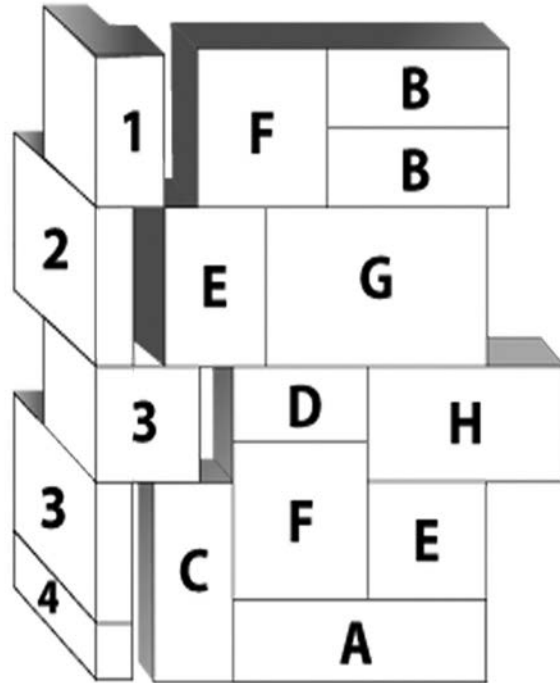


	Packaging	
	Sq.Ft.	Skid
Box	12.5	
Skid	100	965
Corners	80	1131

BILTMORE #400

Flat Pattern	
*Size	Pcs
A-6x24	1
B-6x18	2
C-6x15	1
D-6x12	1
E-9x12	2
F-12x12	2
G-12x21	1
H-9x18	1

Corner Pattern	
*Size	Pcs
#1 6x6x12	1
#2 3x9x12	1
#3 3x9x9	2
#4 3x6x9	1



PATTERN DESCRIPTIONS AND DIMENSIONS

Pattern	Texture	Code	T	H	W	Rec Joint
BILTMORE	A weathered slate appearance with sawcut edges.	400	1.25" to 1.5"	6" to 12"	12" to 24"	DRystack

*thickness, height and width dimensions may have +/- tolerance due to hand casting of product

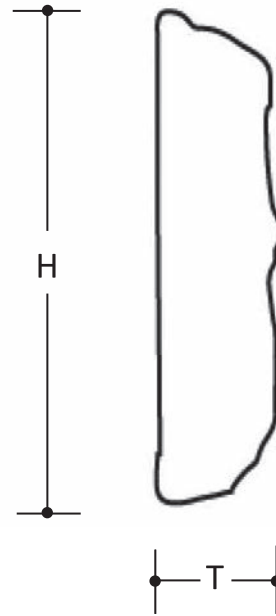
*trimming and shaping of pieces may be required around openings as well as maintaining a level and coarsed pattern



	Packaging	Weights
	Sq.Ft.	Skid
Skid	114	986
Corners	128	1088

Color Name	Product Code
PENNSYLVANIA	400-800-25
TEXAS	400-310-10

CANYON LEDGE #280



PATTERN DESCRIPTIONS AND DIMENSIONS

Pattern	Texture	Installation	T	H	W	Rec Joint
CANYON LEDGE	Well worn look of eroded texture.	Install in a horizontal pattern with mortar joint.	1.5" to 3"	2" to 4"	4" to 18"	3/4"

Color Name	Product Code
APPALACHIAN	280-250-15
BROWN	280-200-25
ENGLISH	280-270-15
PENNSYLVANIA	280-800-25
KENTUCKY	280-260-15
SOUTHERN WHEAT	280-801-25



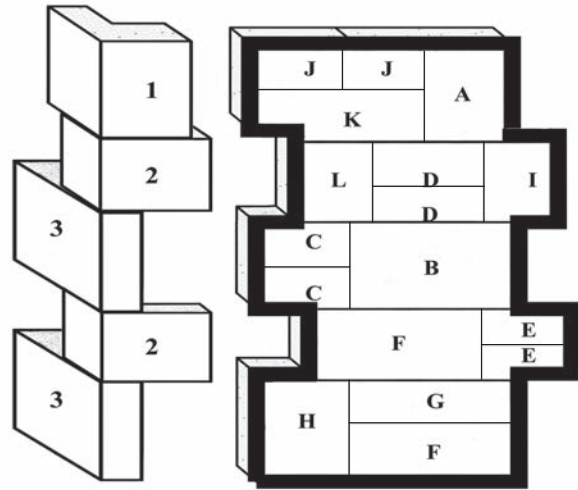
	Packaging	Weights
	Sq.Ft.	Skid
Skid	92	962
Corners	72	898

CATHEDRAL STONE #140

FEATURES:

- Can be installed in random or repeating pattern for quick installation with minimum cutting.
- 90 degree corners available.
- Pattern sized with half inch mortar joint.
- Convenient, easy handling packaging.

Flats*			
Piece	Height	Width	Pcs Req.
A	12"	12"	1
B	12"	24"	1
C	6"	15"	2
D	4"	12"	2
E	4"	15"	2
F	8"	24"	2
G	4"	24"	1
H	12"	15"	1
I	8"	12"	1
J	6"	12"	2
K	6"	24"	1
L	8"	15"	1



Corner		Size*	Lin. Ft.		Sq. Ft.	C to F
#	Pcs		Pc.	Total	Total	Factor
#1	1	6 x 9 x 12	12"	1	.79	
#2	2	4 x 9 x 8	8"	1.3	.45	
#3	2	4 x 9 x 12	12"	2	.67	
APPROXIMATE COVERAGE			4.3	1.9	X .44	

PATTERN DESCRIPTIONS AND DIMENSIONS

Pattern	Texture	Code	T	H	W	Rec Joint
CATHEDRAL STONE	Pitched faced stone, saw cut edges. Thickest of the pattern stones.	140	1 1/2" to 2 1/2"	4" to 12"	12" to 24"	1/2"

*thickness, height and width dimensions may have +/- tolerance due to hand casting of product

*trimming and shaping of pieces may be required around openings as well as maintaining a level and coarsed pattern



	Packaging	Weights	
	Sq.Ft.	Skid	Box
Box	13.75		117
Skid	110	1014	
Corners	80	792	90

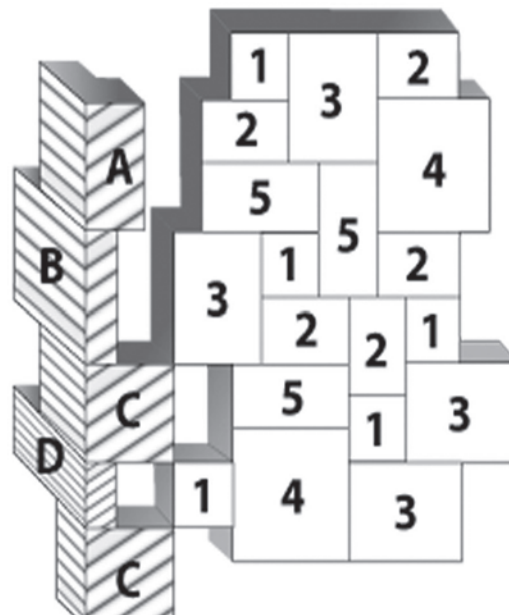
Color Name	Product Code
PLAIN CATHEDRAL	140-330-20
SAGE VALLEY CATHEDRAL	140-710-25

CENTURION CASTLE ROCK #070

FEATURES:

- Can be installed in random or repeating pattern for quick installation with minimum cutting.
- 90 degree corners available.
- Average thickness of one and one fourth inches.
- Pattern sized with half inch mortar joint.
- Convenient, easy handling packaging.

Flats*		
#	Size	Pcs
1	6 x 6	5
2	6 x 9	6
3	9 x 12	4
4	12 x 12	2
5	6 x 12	3



Corner		Size*	Lin. Ft.	Sq. Ft.	C to F
#	Pcs		Pc.	Total	Total
A	4	6 x 6 x 12	12"	4	3.2
B	4	3 x 12 x 12	12"	4	3.2
C	4	3 x 9 x 9	9"	6	4.75
D	4	3 x 9 x 6	6"	2	1.58
APPROXIMATE COVERAGE			16	12.73	X .80

PATTERN DESCRIPTIONS AND DIMENSIONS

Pattern	Texture	Code	T	H	W	Rec Joint
CENTURION CASTLE ROCK	Flat profile weathered face texture formal looking stone.	070	1.25" to 1.5"	6" to 12"	6" to 12"	3/4"

*thickness, height and width dimensions may have +/- tolerance due to hand casting of product

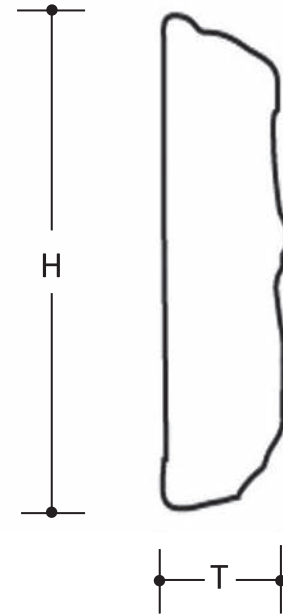
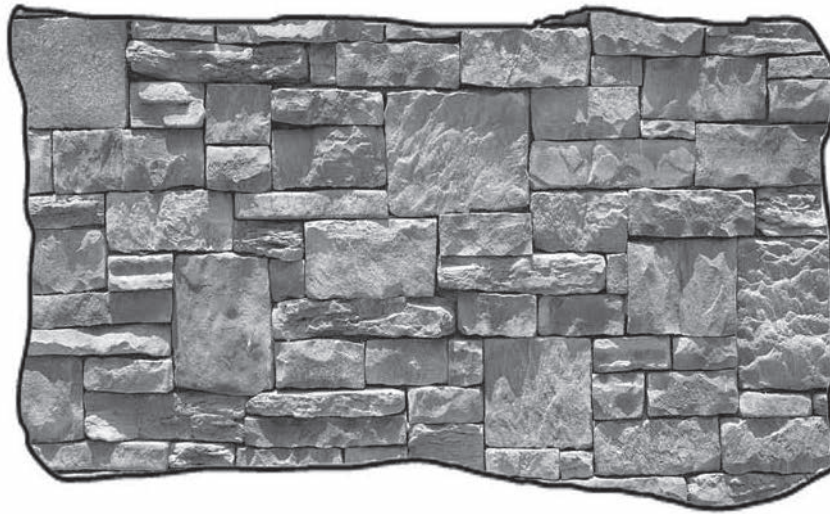
*trimming and shaping of pieces may be required around openings as well as maintaining a level and coarsed pattern

Color Name	Product Code
CALIFORNIA	070-220-25
GRAY	070-030-45
PENNSYLVANIA	070-800-25
BUCKS COUNTY	070-701-25
SUEDE	070-185-65

	Packaging	Weights
	Sq.Ft.	Skid
Box	10.5	
Skid	126	933
Corners	128	1138



CHEROKEE BLEND #450



PATTERN DESCRIPTIONS AND DIMENSIONS

Pattern	Texture	Installation	T	H	W	Rec Joint
CHEROKEE BLEND	Predominately square & rectangular design.	Installed in a random pattern with long side down.	1.5" to 3"	1" to 12"	4" to 20"	DRystack

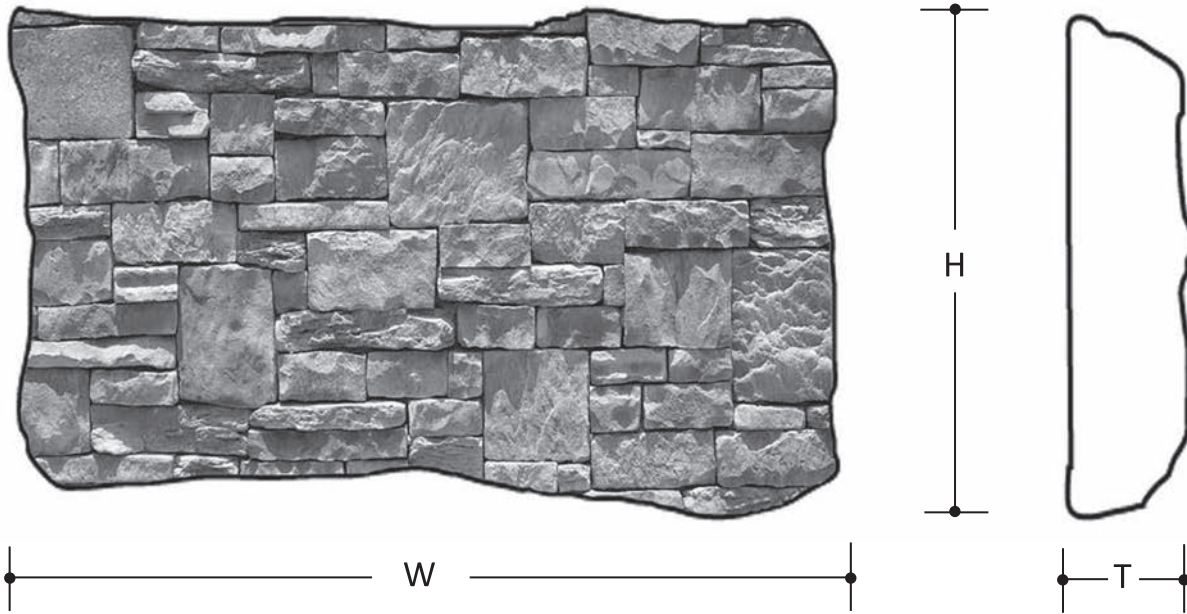
*thickness, height and width dimensions may have +/- tolerance due to hand casting of product
 *trimming and shaping of pieces may be required around openings as well as maintaining a level and coarsed pattern

	Packaging	Weights
	Sq.Ft.	Skid
Box	11	
Skid	88	985
Corners	80	973

Color Name	Product Code
BUCKS COUNTY	450-701-25
KENTUCKY	450-260-15
ODESSA FALLS	450-365-25
PENNSYLVANIA	450-800-25
SUEDE	450-185-65



CHEYENNE #480



PATTERN DESCRIPTIONS AND DIMENSIONS

Pattern	Texture	Installation	T	H	W	Rec Joint
CHEY-ENNE	Predominately square & rectangular design.	Installed in a random pattern with long side down.	1.5" to 3"	2" to 12"	4" to 23"	DRYSTACK

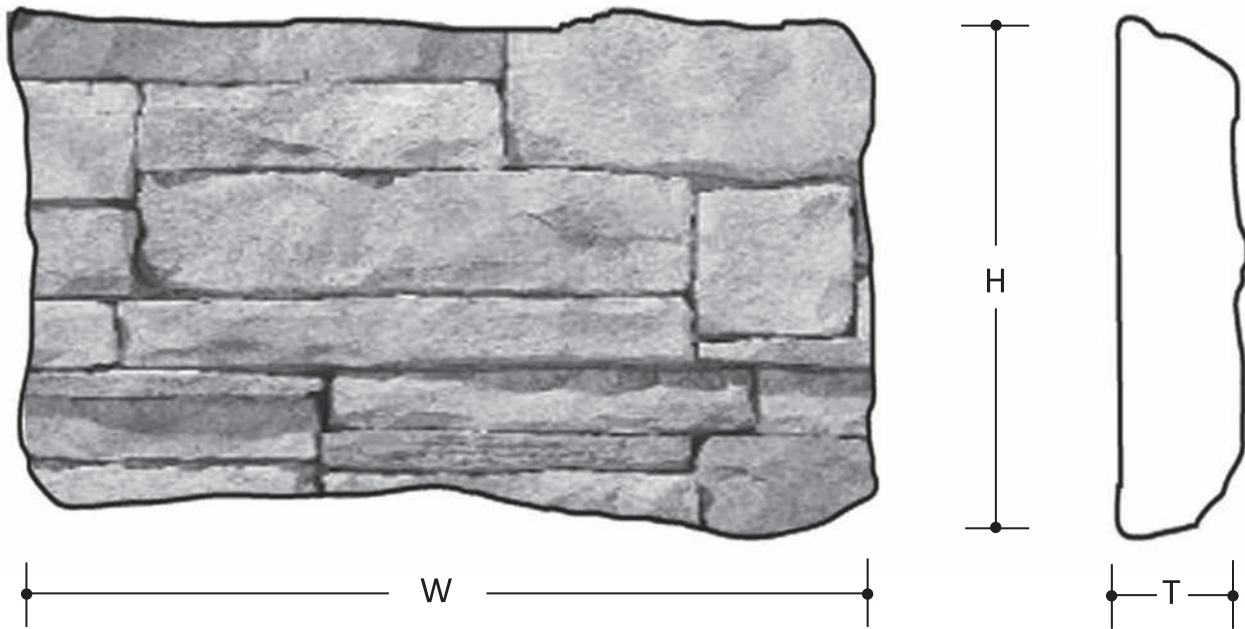
*thickness, height and width dimensions may have +/- tolerance due to hand casting of product
 *trimming and shaping of pieces may be required around openings as well as maintaining a level and coarsed pattern

	Packaging	Weights	
		Sq.Ft.	Skid
Box		11.9	
Skid		94	978
Corners		80	973

Color Name	Product Code
BROWNS VALLEY	480-145-25
PENNSYLVANIA	480-800-25



CUTFACE #270



PATTERN DESCRIPTIONS AND DIMENSIONS

Pattern	Texture	Installation	T	H	W	Rec Joint
CUTFACE	Guillotine cut with deep chiseled face.	Installed in a horizontal pattern, sizes for easy installation.	1.5" to 3"	1" to 6"	4" to 20"	DRystack

	Packaging		Weights	
		Sq.Ft.		Skid
Box	11			
Skid	88		1036	
Corners	80		1017	

Color Name	Product Code
ARIZONA	270-724-25
BROWN	270-200-25
BUCKS COUNTY	270-701-25
CHARDONNAY	270-180-65
KENTUCKY	270-260-15
PENNSYLVANIA	270-800-25
PLAIN	270-330-20
SUEDE	270-185-65
TEXAS	270-310-10



DESIGNER SERIES #290



PATTERN DESCRIPTIONS AND DIMENSIONS

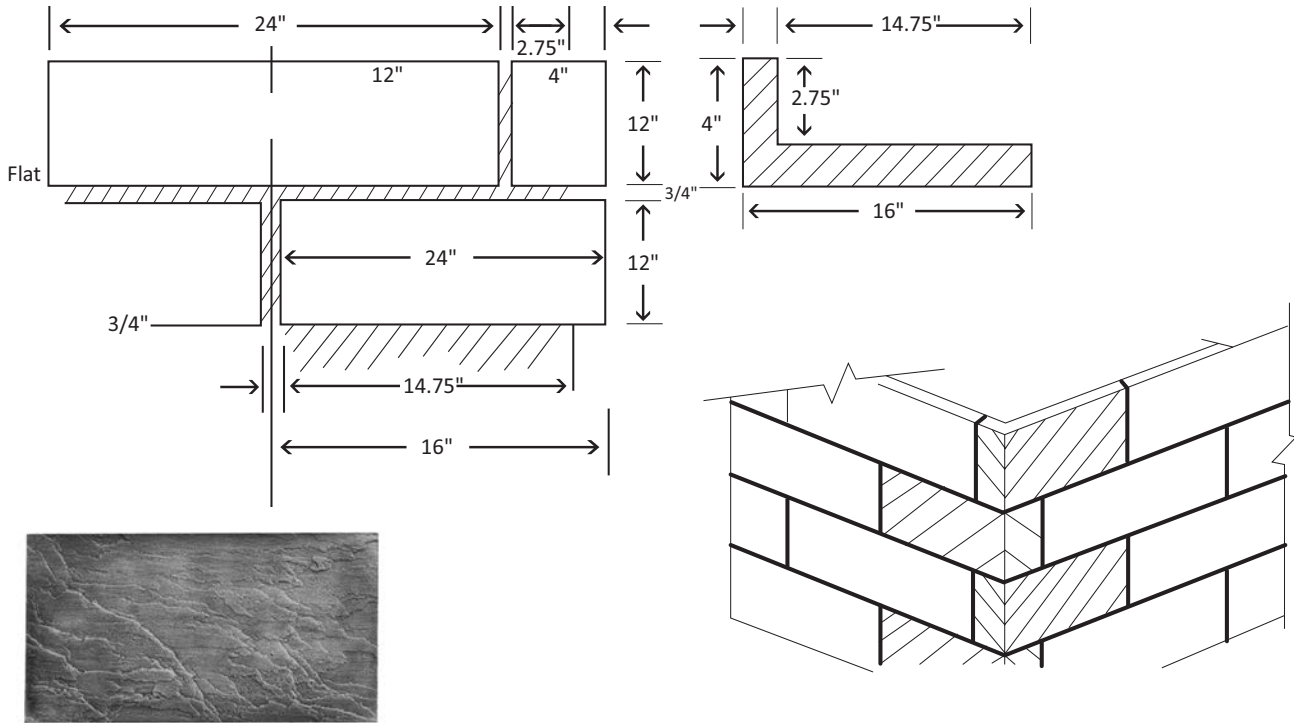
Pattern	Texture	Code	T	H	W	Rec Joint
FLAT	Versatile pattern with uniform height pieces.	290	.5" to 1.5"	1.75"	4" to 16"	Drystack
CORNER			1" to 1.5"	1.75"	5.5" x 9"	

Color Name	Product Code
AUSTIN	290-547-10
BUCKS COUNTY	290-701-25
CHARDONAY	290-180-25
KENTUCKY	290-260-15
PENNSYLVANIA	290-800-25
SUEDE	290-185-65

Packaging/Skid	Weights	
	SqFt/LnFt	Skid
Flat	88 sf	820
Corner	72 Lf	560



DIMENSIONAL SLATE #893 & SATIN #896



PATTERN DESCRIPTIONS AND DIMENSIONS

Pattern	Texture	Code	T	H	W	Rec Joint
FLAT	A weathered slate appearance with sawcut edges	893	1.25"	12"	24"	3/4"
CORNER			1.25"	12"	4" x 16"	3/4"

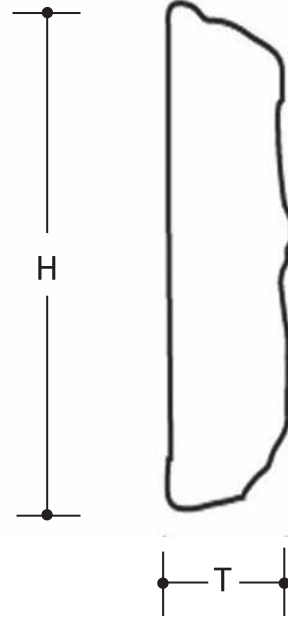
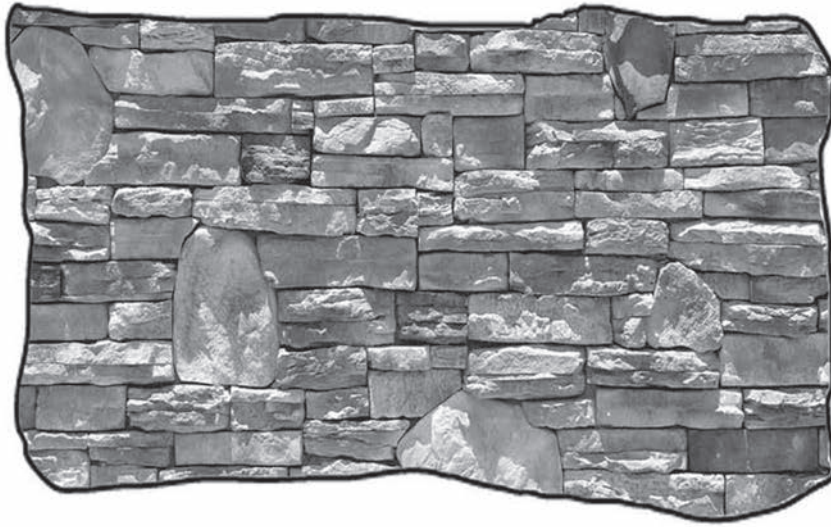
*thickness, height and width dimensions may have +/- tolerance due to hand casting of product
 *trimming and shaping of pieces may be required around openings as well as maintaining a level and coarsed pattern

	Packaging/Skid		Weights
	Pcs.	SqFt/LnFt	Skid
Flat	51	102 Sf	1005
Corner	32	32 Lf	562

Color Name	Product Code
PEWTER	893-566-15
SAND	893-121-10
EMERALD	893-641-25
BUCKSKIN	893-605-25
PLAIN	893-330-20
TEXAS	893-310-10



ELKMONT #460



PATTERN DESCRIPTIONS AND DIMENSIONS

Pattern	Texture	Installation	T	H	W	Rec Joint
ELKMONT	Square to rectangular stone with weathered face and random spotter pieces.	Installed level with spotter flat pieces.	1.5" to 3"	1" to 10"	6" to 18"	DRystack

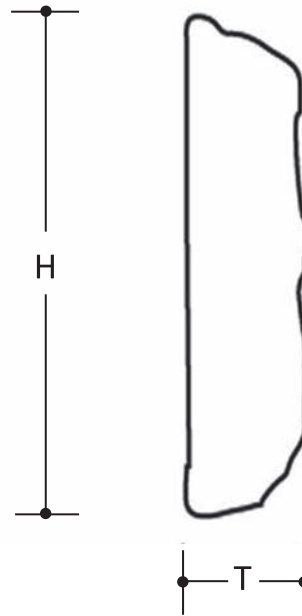
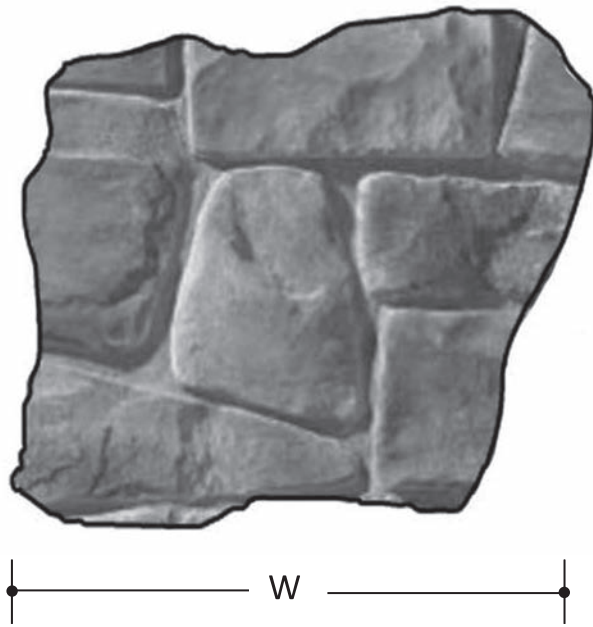
*thickness, height and width dimensions may have +/- tolerance due to hand casting of product
 *trimming and shaping of pieces may be required around openings as well as maintaining a level and coarsed pattern

Color Name	Product Code
BROWNS VALLEY	460-145-65
PENNSYLVANIA	460-800-25

	Packaging	Weights
	Sq.Ft.	Skid
Box	10.25	
Skid	82	925
Corners	80	725



FIELDSTONE #020



PATTERN DESCRIPTIONS AND DIMENSIONS

Pattern	Texture	Installation	T	H	W	Rec Joint
FIELDSTONE	Distinctively textured, smooth, rough faced flagstone look. Pieces are square, rectangular and angled.	Installed with the longest side down and level. A joint is required with pattern.	1.5" to 3"	2" to 10"	4" to 10"	3/4"

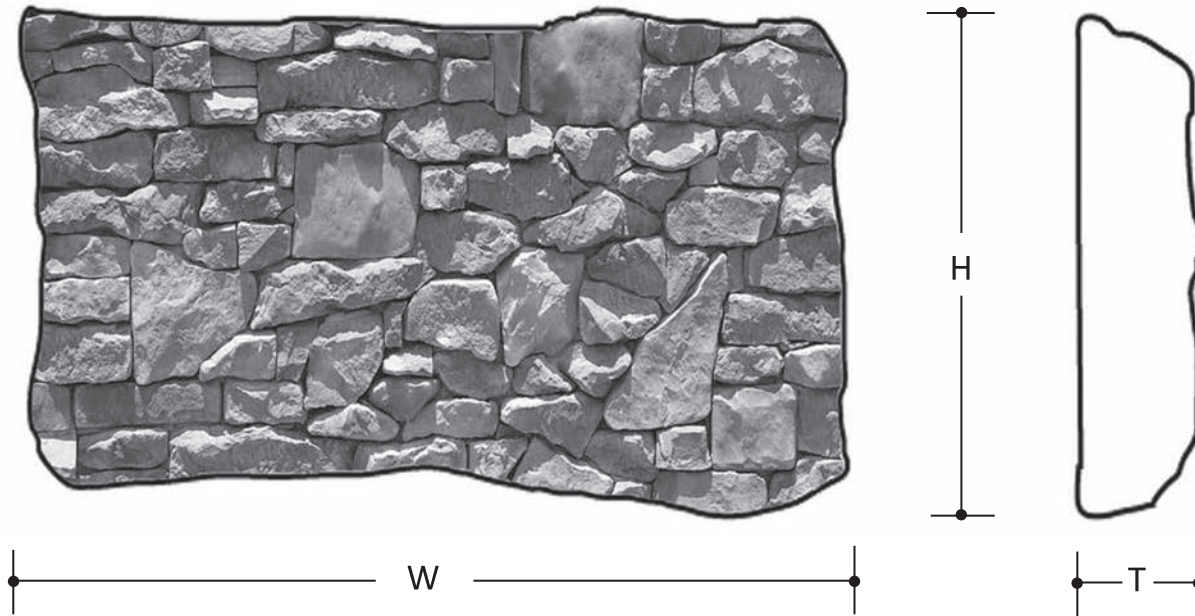
*thickness, height and width dimensions may have +/- tolerance due to hand casting of product
 *trimming and shaping of pieces may be required around openings as well as maintaining a level and coarsed pattern

Color Name	Product Code
ARKANSAS	020-170-65
KENTUCKY	020-260-15
PENNSYLVANIA	020-800-25



	Packaging	Weights
	Sq.Ft.	Skid
Box	11.5	
Skid	92	819
Corners	96	866

FLINT RIDGE #430



PATTERN DESCRIPTIONS AND DIMENSIONS

Pattern	Texture	Installation	T	H	W	Rec Joint
FLINT RIDGE	Rugged textured from angular facets.	Installed at random. Mix small and large pieces for even blend.	1.5" to 3"	2" to 10"	4" to 20"	DRystack

*thickness, height and width dimensions may have +/- tolerance due to hand casting of product

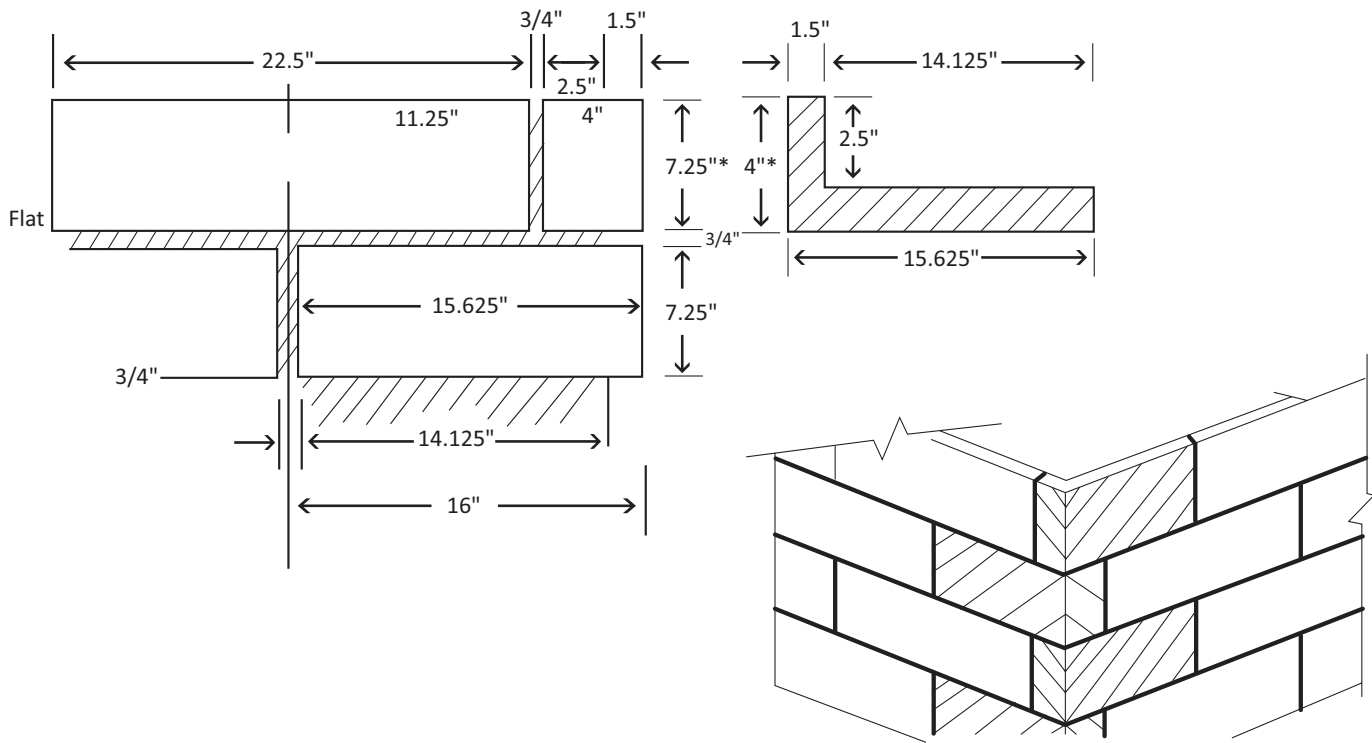
*trimming and shaping of pieces may be required around openings as well as maintaining a level and coarsed pattern

Color Name	Product Code
PENNSYLVANIA	430-800-25



	Packaging		Weights	
		Sq.Ft.		Skid
Box	11			
Skid	88	777		
Corners	80	922		

FOUNDATION STONE #530



PATTERN DESCRIPTIONS AND DIMENSIONS

Pattern	Texture	Code	T	H	W	Rec Joint
Flat	Chiseled face	530	1.5"	7.25"	22.5"	3/4"
Corner			1.5"	7.25"	4" to 15 5/8"	

*thickness, height and width dimensions may have +/- tolerance due to hand casting of product

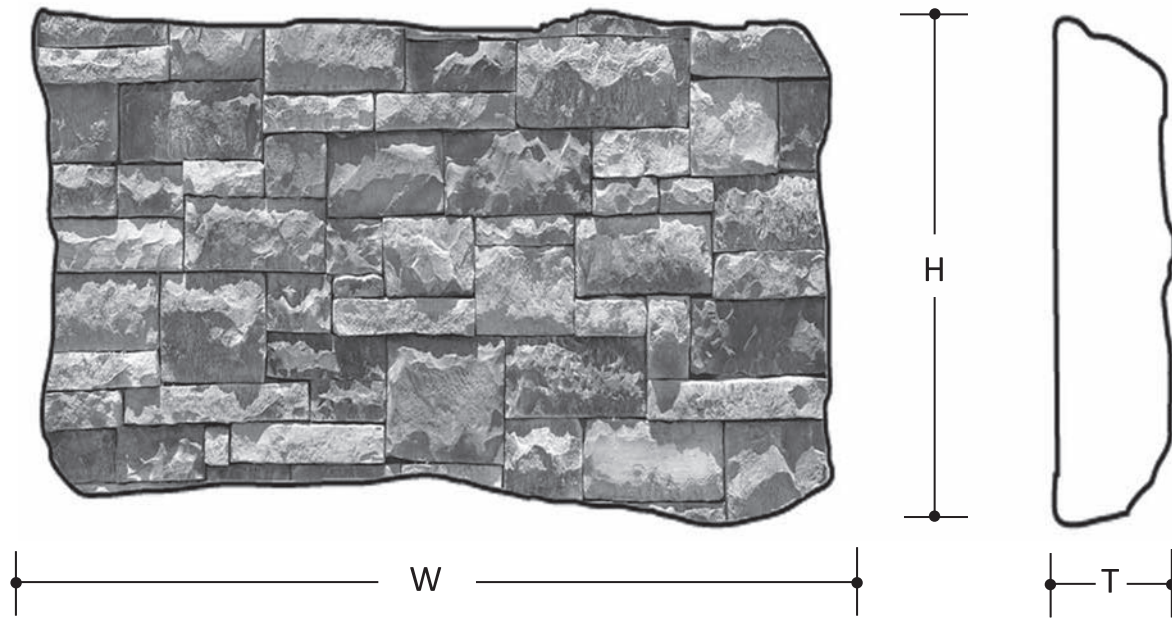
*trimming and shaping of pieces may be required around openings as well as maintaining a level and coarsed pattern



	Packaging		Weights	
	Pcs	SqFt/LnFt	Box	Skid
Skid	80	103.2 Sf		979
Corners	64	42.8 Lf	87.5	700

Color Name	Product Code
CRIMSON	530-578-25
MISSOURI	530-100-15
PENNSYLVANIA	530-800-25

GEORGETOWN #440



PATTERN DESCRIPTIONS AND DIMENSIONS

Pattern	Texture	Installation	T	H	W	Rec Joint
GEORGETOWN	Square and rectangular design.	Installed in a random pattern with long side down.	1.5" to 3"	1" to 6"	4" to 20"	DRystack

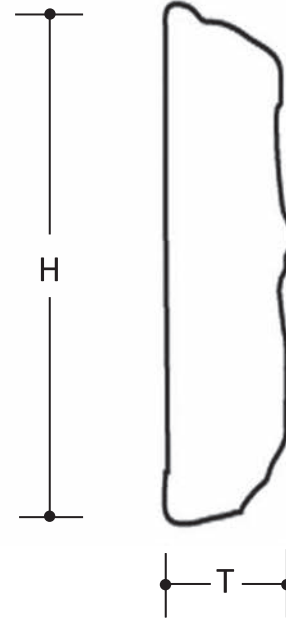
*thickness, height and width dimensions may have +/- tolerance due to hand casting of product
 *trimming and shaping of pieces may be required around openings as well as maintaining a level and coarsed pattern

Color Name	Product Code
KENTUCKY	440-260-15
PENNSYLVANIA	440-800-25



	Packaging	
	Sq.Ft.	Skid
Skid	96	907
Corners	80	792

HACKETT #050



PATTERN DESCRIPTIONS AND DIMENSIONS

Pattern	Texture	Installation	T	H	W	Rec Joint
HACKETT	Unique one of a kind pattern. Old pieces from farm fences with years of weathering.	Installed horizontally and level. May have a roll in plane to resemble old farm fences.	1.5" to 2.5"	2" to 4"	4" to 14"	DRystack

*thickness, height and width dimensions may have +/- tolerance due to hand casting of product

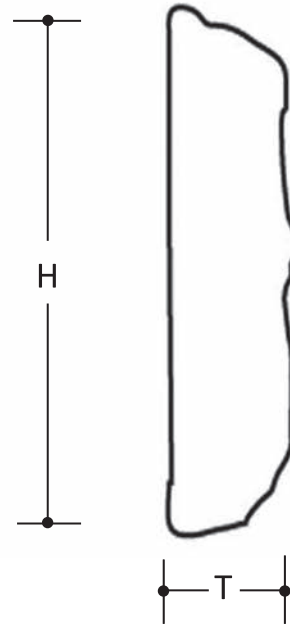
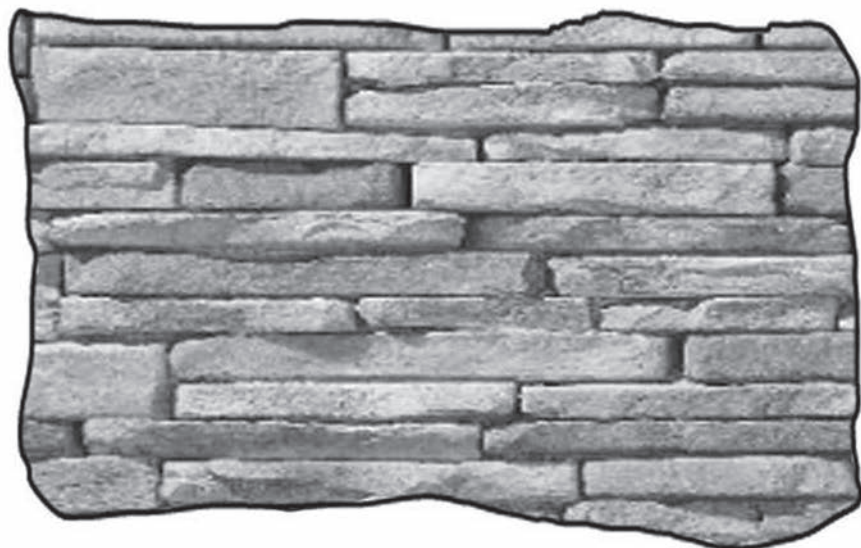
*trimming and shaping of pieces may be required around openings as well as maintaining a level and coarsed pattern

Color Name	Product Code
ENGLISH	050-270-15
TULSA	050-791-15

	Packaging	Weights
	Sq.Ft.	Skid
Skid	88	896
Corners	72	869



LEDGESTONE #150



PATTERN DESCRIPTIONS AND DIMENSIONS

Pattern	Texture	Installation	T	H	W	Rec Joint
LEDGE	Look of split layered stone. Long dimensional pieces. Narrow style gives edges a pronounced look.	Installed in a stacked design with no joint. Stack as tight as possible.	1 1/8" to 2 3/4"	1" to 2.5"	6.5" to 16.75"	DRYSTACK

*thickness, height and width dimensions may have +/- tolerance due to hand casting of product

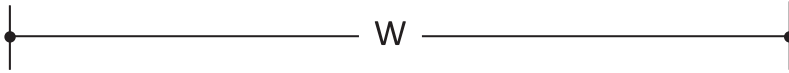
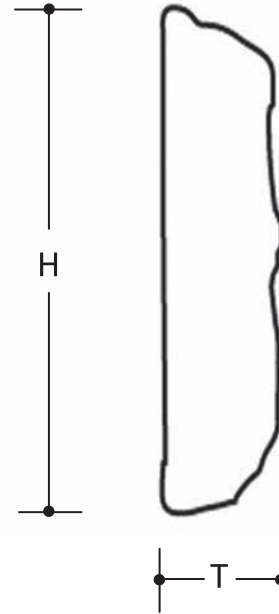
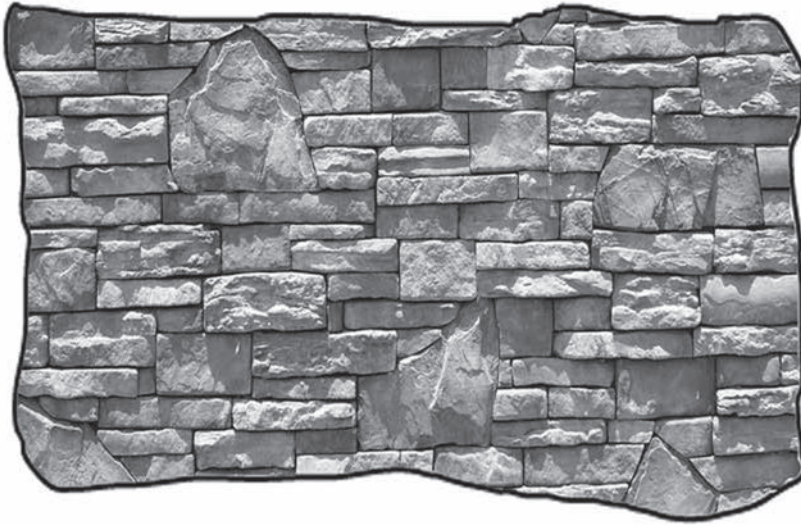
*trimming and shaping of pieces may be required around openings as well as maintaining a level and coarsed pattern

	Packaging	Weights
	Sq.Ft.	Skid
Box	11	
Skid	88	910
Corners	72	620

Color Name	Product Code
APPALACHIAN	150-250-15
ARIZONA	150-724-25
BROWN	150-200-25
BUCKS COUNTY	150-701-25
CALIFORNIA	150-220-25
CHARDONNAY	150-180-65
ENGLISH	150-270-15
GRAY	150-030-45
KENTUCKY	150-260-15
MT. RUNDLE	150-490-70
PENNSYLVANIA	150-800-25
SOUTHERN WHEAT	150-801-25
SUEDE	150-185-65
TEXAS	150-310-10



MESA #420



PATTERN DESCRIPTIONS AND DIMENSIONS

Pattern	Texture	Installation	Thickness	Height	Width	Rec Joint
MESA	Square and rectangular pieces with flat spotter pieces.	Installed at random with long sides down and level. Spot in flat pieces at random.	1.5" to 3"	2" to 12"	4" to 18"	DRystack

*thickness, height and width dimensions may have +/- tolerance due to hand casting of product

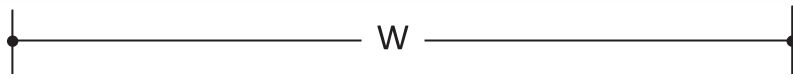
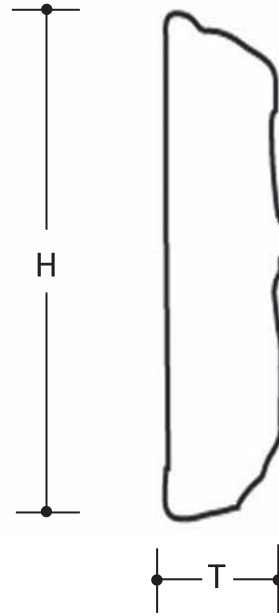
*trimming and shaping of pieces may be required around openings as well as maintaining a level and coarsed pattern

Color Name	Product Code
APPALACHIAN	420-250-15
PENNSYLVANIA	420-800-25

	Packaging Skid		Weights	
	Sq.Ft.	Skid		
Box	11.25			
Skid	90		863	
Corners	80		588	



MILANO #485



PATTERN DESCRIPTIONS AND DIMENSIONS

Pattern	Texture	Installation	Thickness	Height	Width	Rec Joint
MESA	Quarried look, rough chiseled pieces.	Lay at random design.	1.5" to 2.5"	2" to 6"	4" to 18"	DRYSTACK

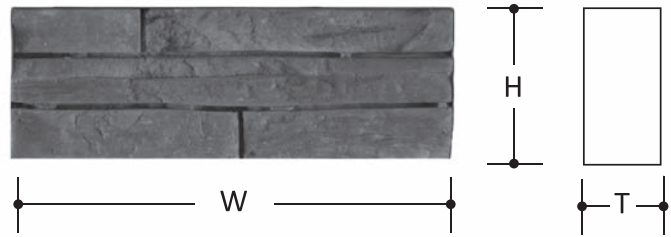
*thickness, height and width dimensions may have +/- tolerance due to hand casting of product
 *trimming and shaping of pieces may be required around openings as well as maintaining a level and coarsed pattern

Packaging Skid		Weights
	Sq.Ft.	Skid
Skid	92.8	847
Corners	80	854

Color Name	Product Code
BUCKS COUNTY	485-701-25
PENNSYLVANIA	485-800-25



MOUNTAIN LEDGE #210



PATTERN DESCRIPTIONS AND DIMENSIONS

Pattern	Texture	Code	Thickness	Height	Width	Rec Joint
FLAT	Rugged distinct pieces of mountain ledge. Panels are designed for easy installation.	210	.75" to 1.5"	4"	8" to 12"	DRystack
CORNER			.75" to 1.5"	4"	8"	

Packaging		Weights
	SQFT/LNFT	Skid
Skid	88.88	840
Corners	72	610

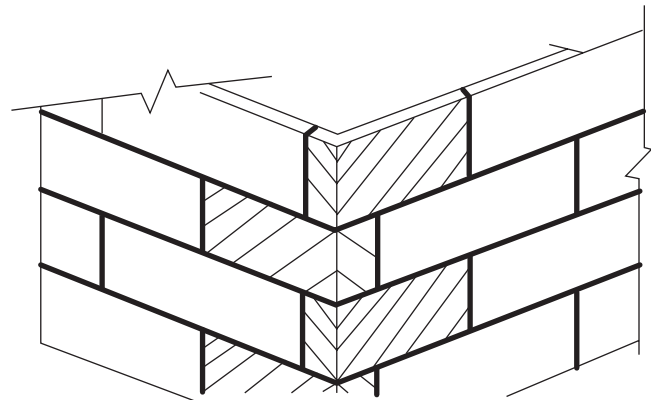
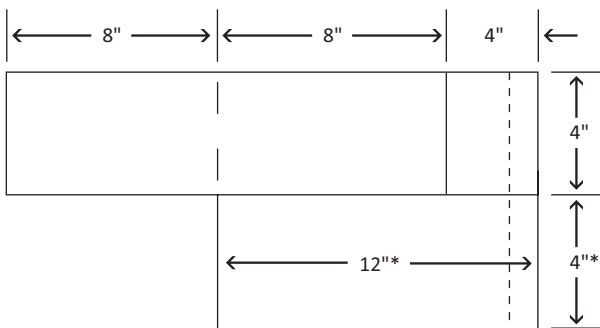
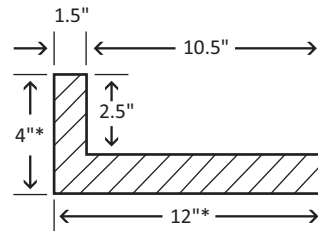
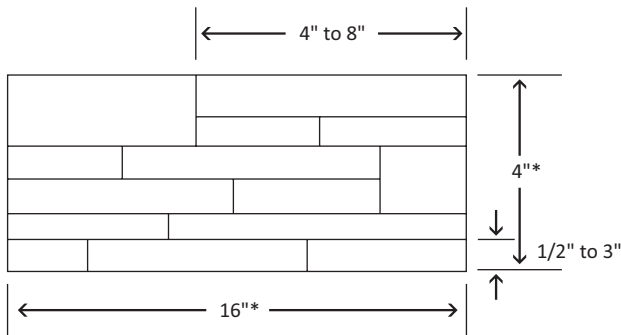
*thickness, height and width dimensions may have +/- tolerance due to hand casting of product

*trimming and shaping of pieces may be required around openings as well as maintaining a level and coarsed pattern



Color Name	Product Code
AUSTIN	210-547-10
BUCKS COUNTY	210-701-25
KENTUCKY	210-260-15
OXFORD	210-469-20

MULTI-LEDGE # 146



PATTERN DESCRIPTIONS AND DIMENSIONS

Pattern	Texture	Code	T	H	W	Rec Joint
MULTI-LEDGE	Pre-fit pieces give the look of hand laid dry stack	146	1.5"	4"	16"	DRystack

Color Name	Product Code
AUSTIN	146-647-10
BEDFORD	146-545-25
CARBONDALE	146-587-15
MOCHA	146-592-25
TUCSON	146-622-65
WILLIAMSPORT	146-557-25

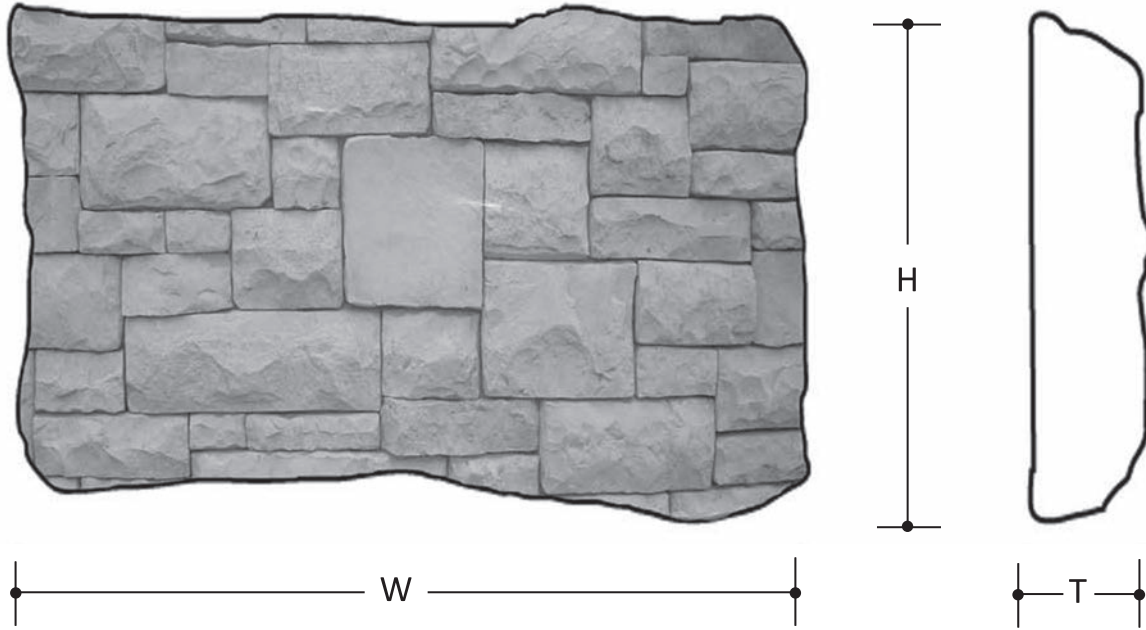
	Packaging		Weights	
	Pcs.	Sq.Ft.	Skid	Box
Box	24	10.6		82
Skid	288	127.2	1056	
Corners	18	72	790	60

*thickness, height and width dimensions may have +/- tolerance due to hand casting of product

*trimming and shaping of pieces may be required around openings as well as maintaining a level and coarsed pattern



OMAHA #475



PATTERN DESCRIPTIONS AND DIMENSIONS

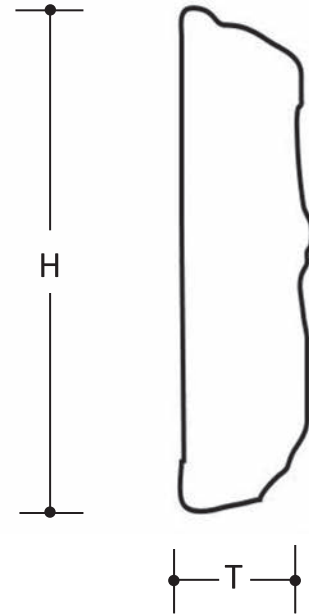
Pattern	Texture	Installation	T	H	W	Rec Joint
OMAHA	Quarried look, rough chiseled pieces.	Lay at random design.	1.5" to 2.5"	2" to 6"	4" to 18"	DRYSTACK

	Packaging		Weights	
	Sq.Ft.	Skid	Box	
Box	12.37		91	
Skid	98.9	807		
Corners	80	680	76	

Color Name	Product Code
PENNSYLVANIA	475-800-25
PLAIN	475-330-20



PALOS VERDE #040



PATTERN DESCRIPTIONS AND DIMENSIONS

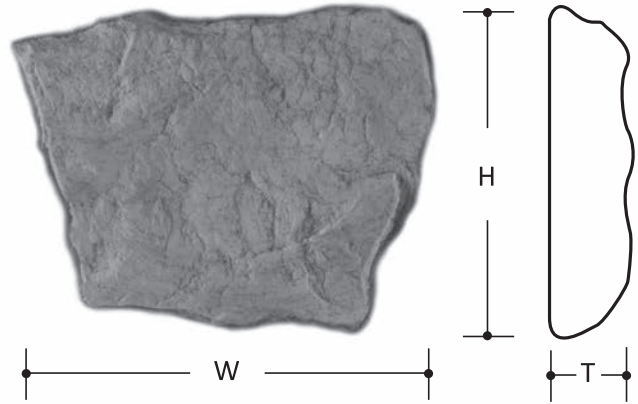
Pattern	Texture	Installation	T	H	W	Rec Joint
PALOS VERDE	Large stone pattern. Quarried look with split flagstone texture.	Randomly installed with even sized joints.	1.5" to 2.5"	4" to 12"	4" to 18"	3/4"

	Packaging		Weights	
	Sq.Ft.	Skid	Box	
Box	13.5		110	
Skid	108	962		
Corners	96	1048	121	

Color Name	Product Code
ARKANSAS	040-170-65
KENTUCKY	040-260-15
PENNSYLVANIA	040-800-25



PLANTATION #295



PATTERN DESCRIPTIONS AND DIMENSIONS

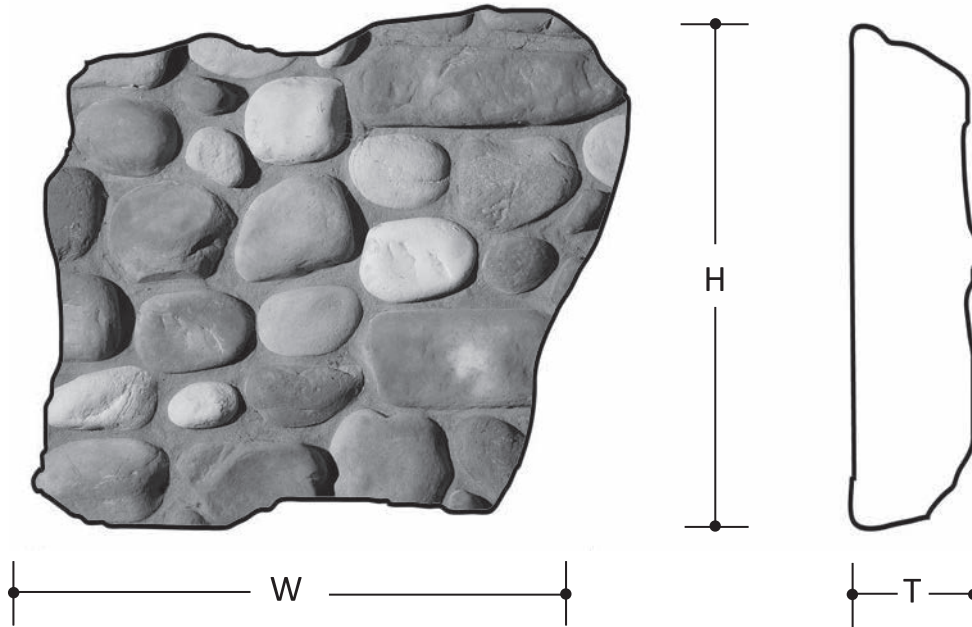
Pattern	Texture	T	H	W	Rec Joint
FLAT	Large individual pieces designed to be installed at random with a wide mortar joint.	.75" to 2.25"	2" to 12"	5" to 20.5"	3/4"
CORNER		.75" to 2.25"	2.5" to 11.5"	6" to 17"	

Color Name	Product Code
BUCKS COUNTY	295-701-25
OXFORD	295-469-20

Packaging	Weights	
	Sq.Ft.	Skid
Skid	108	890
Corners	96	820



RIVER ROCK #080



PATTERN DESCRIPTIONS AND DIMENSIONS

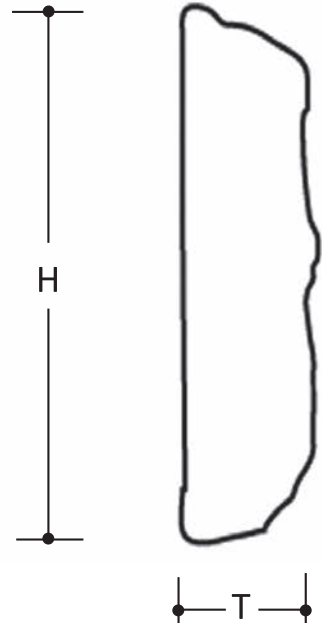
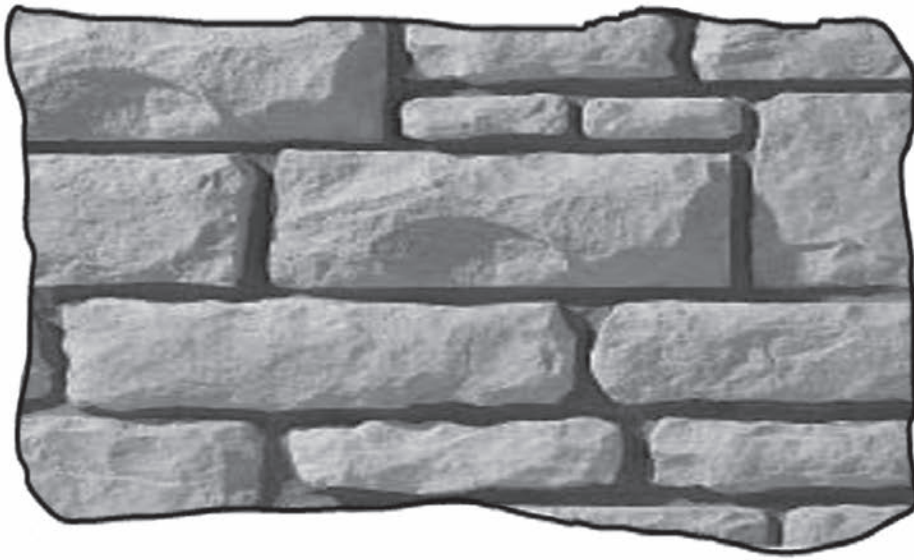
Pattern	Texture	Installation	T	H	W	Rec Joint
RIVER ROCK	Round and oval oblong pieces. Texture from years of water running over them.	Installed randomly with radises coming together to form even looking mortar joints.	1.25" to 2.5"	4" to 15"	4" to 15"	3/4"

Color Name	Product Code
DESERT RUST	080-360-25
EARTH BLEND	080-280-35
VALLEY BROOK	080-719-25



	Packaging	Weights
	Sq.Ft.	Skid
Skid	96	1030
Corners	88	835

RUBBLE #250



PATTERN DESCRIPTIONS AND DIMENSIONS

Pattern	Texture	Installation	T	H	W	Rec Joint
RUBBLE	A hand dressed tailored look. Pieces roughly squared and face chiseled.	A coarsed looking pattern yet no set pattern design. Installed level and plumb.	1.5" to 2"	2" to 6"	4" to 18"	3/4"

*thickness, height and width dimensions may have +/- tolerance due to hand casting of product

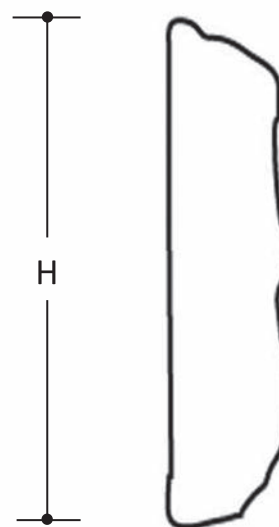
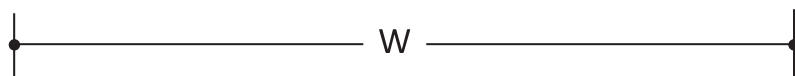
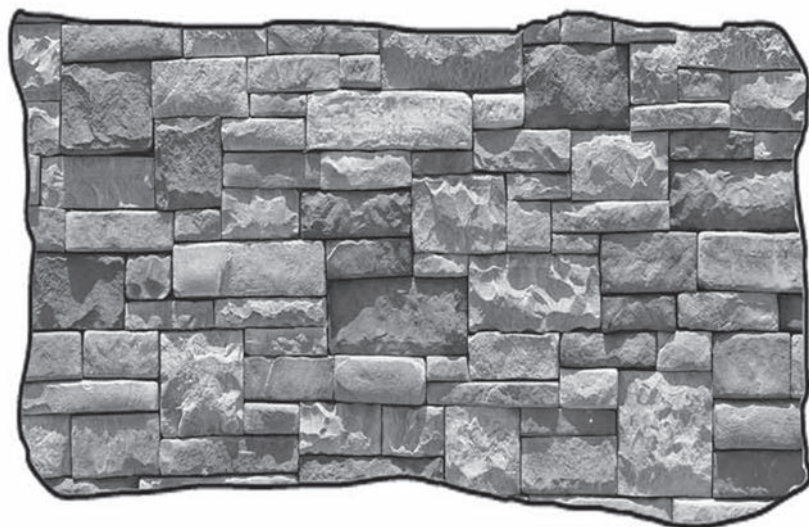
*trimming and shaping of pieces may be required around openings as well as maintaining a level and coarsed pattern

	Packaging		Weights	
	Sq.Ft.	Skid	Box	
Box	14		103	
Skid	112	898		
Corners	96	939	108	

Color Name	Product Code
APPALACHIA	250-250-25
ARIZONA	250-724-25
BROWN	250-200-25
BUCKS COUNTY	250-701-25
CALIFORNIA	250-220-25
CHARDONAY	250-180-65
ENGLISH	250-270-15
GRAY	250-030-45
KENTUCKY	250-260-15
MILLWOOD	250-333-20
OHIO	250-320-20
PENNSYLVANIA	250-800-25
PLAIN	250-330-20
SUEDE	250-185-65
TEXAS	250-310-10
TULSA	250-791-15



RUSTIC #900



PATTERN DESCRIPTIONS AND DIMENSIONS

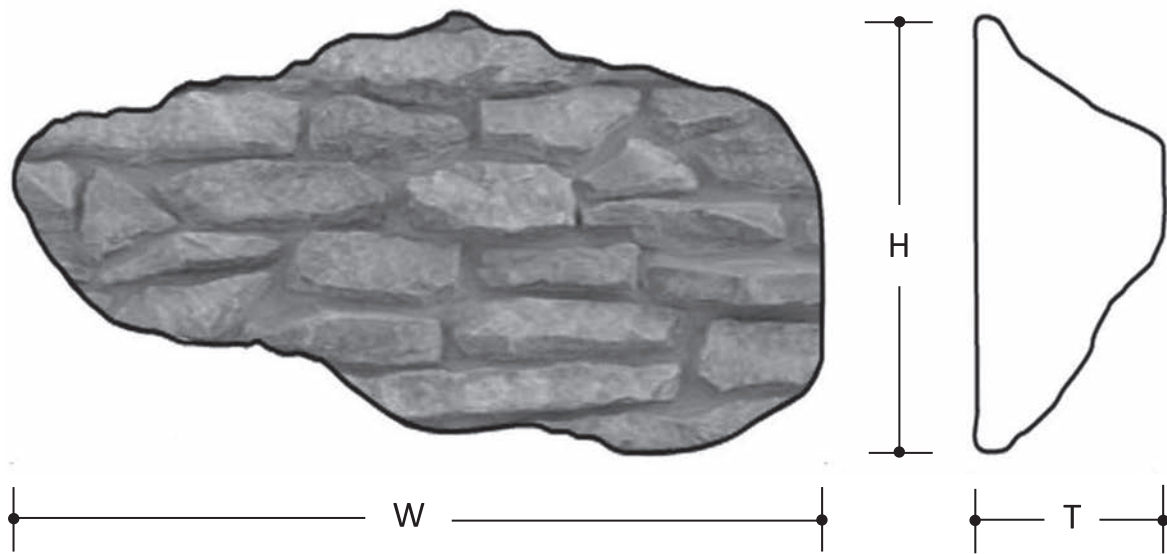
Pattern	Texture	Installation	T	H	W	Rec Joint
RUSTIC	Predominately square; rectangular design.	Install with long side down and level.	1.5" to 2.5"	2" to 6"	4" to 18"	DRystack

	Packaging		Weights	
	Sq.Ft.	Skid	Box	
Box	11.75		105	
Skid	94	919		
Corners	80	667	74	

Color Name	Product Code
ARIZONA	900-724-25
BROWN	900-200-25
CALIFORNIA	900-220-25
GRAY	900-030-45
KENTUCKY	900-260-15
PENNSYLVANIA	900-800-25



SILHOUETTE LEDGE #160



PATTERN DESCRIPTIONS AND DIMENSIONS

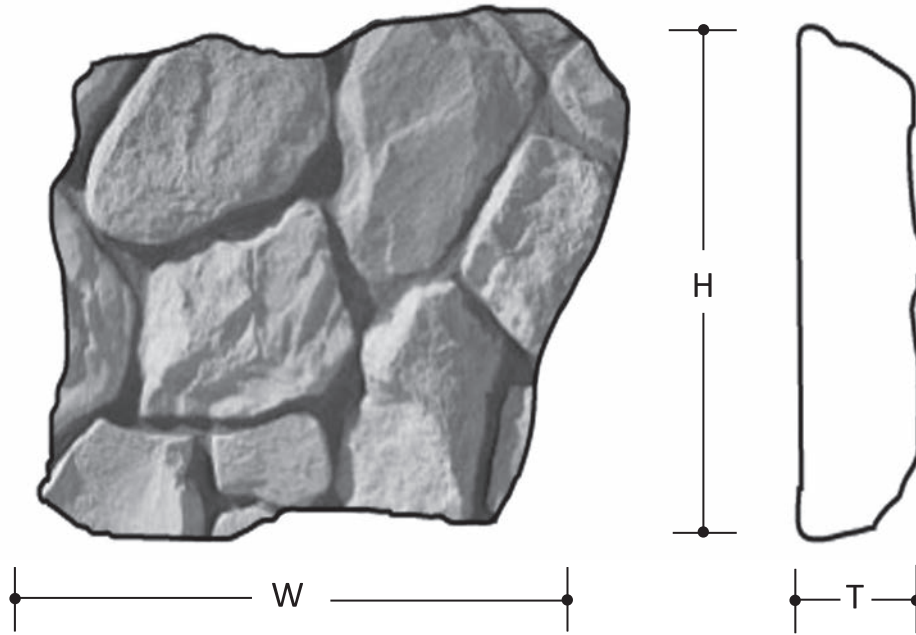
Pattern	Texture	Installation	T	H	W	Rec Joint
SILHOUETTE LEDGE	Rugged textured from angular facets.	Installed at random with even sized mortar joints.	1.5" to 3.5"	3" to 6"	6" to 18"	3/4"

	Packaging		Weights	
	Sq.Ft.	Skid	Box	
Box	12.5		89	
Skid	100	785		
Corners	72	892	102	

Color Name	Product Code
CATALINA	160-690-25
SUEDE	160-185-65



SPLITFACE #485



PATTERN DESCRIPTIONS AND DIMENSIONS

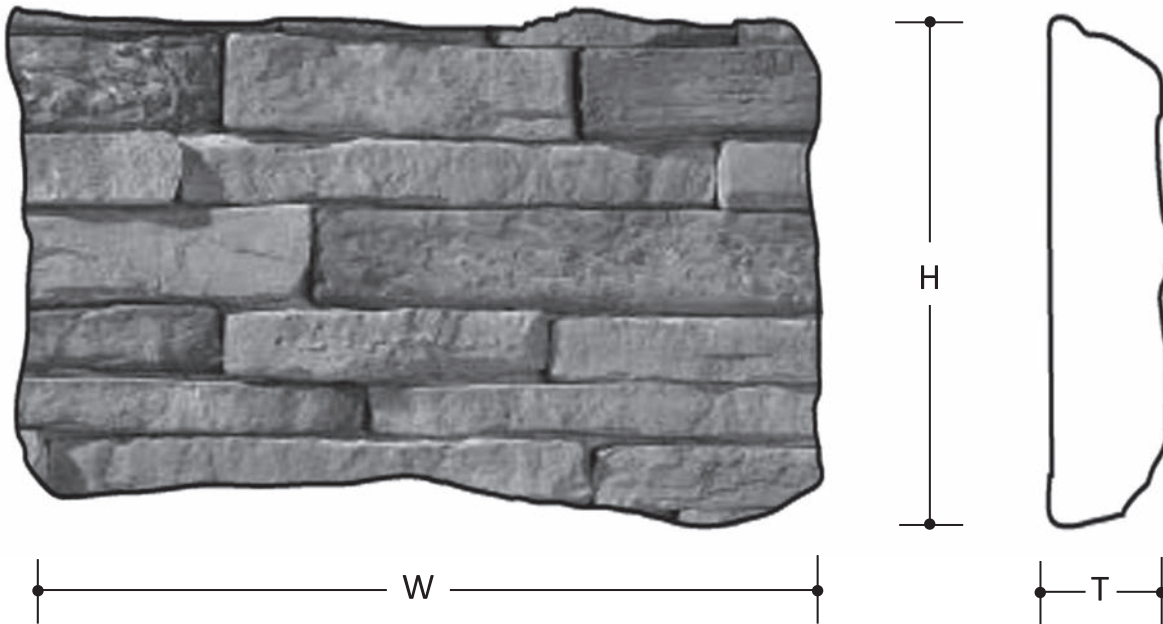
Pattern	Texture	Installation	T	H	W	Rec Joint
SPLITFACE	A split hand dressed stone. Extraordinary depth is from angular facets of varying sizes.	Installed at random with even sized mortar joints.	2" to 3"	6" to 18"	6" to 10"	3/4"

	Packaging		Weights	
	Sq.Ft.	Skid	Box	
Box	11.5		107	
Skid	92	934		
Corners	88	803	91	

Color Name	Product Code
ENGLISH	200-270-15
GREAT LAKES	200-300-15
NEW ENGLAND	200-290-15
PENNSYLVANIA	200-800-25
PLAIN	200-330-20



STACK #100



PATTERN DESCRIPTIONS AND DIMENSIONS

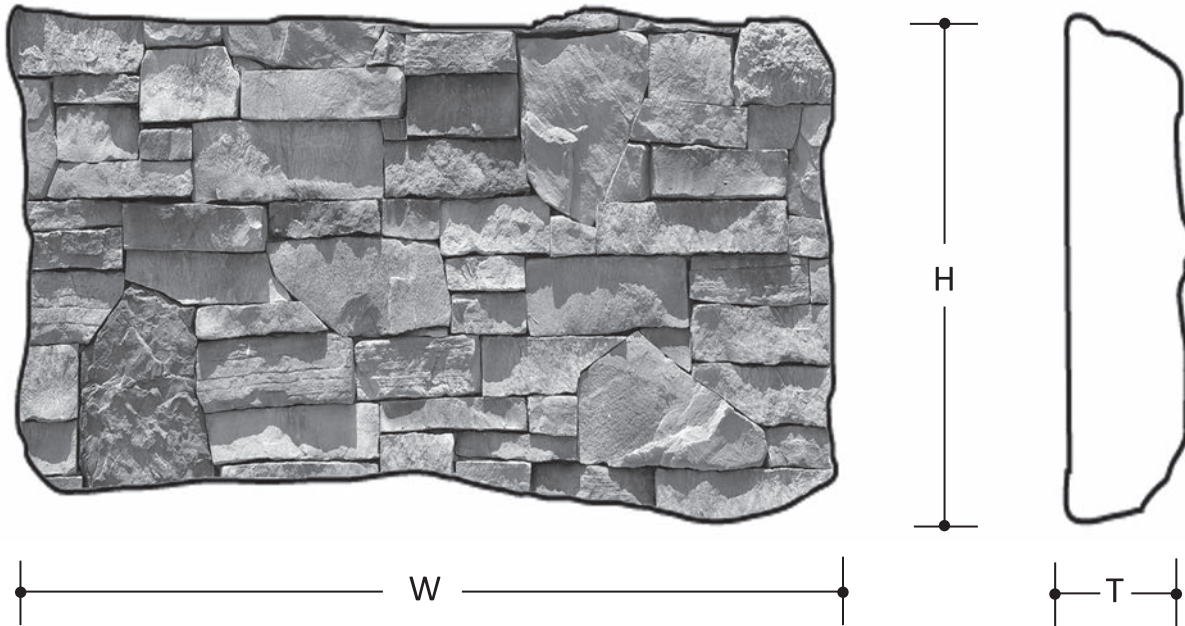
Pattern	Texture	Installation	T	H	W	Rec Joint
STACK	Texture from smooth to gillotine cut.	Installed on a horizontal plane with no pieces on a vertical plane. A tight fitted pattern when drystacked. Mortar joint is acceptable.	1.5" to 2.5"	2" to 5"	4" to 18"	DRystack

	Packaging		Weights	
	Sq.Ft.	Skid	Box	
Box	11		113	
Skid	88	983		
Corners	72	602	66	

Color Name	Product Code
ARIZONA	100-724-25
APPALACHIAN	100-250-15
BROWN	100-200-25
CALIFORNIA	100-220-25
CHARDONNAY	100-180-65
ENGLISH	100-270-15
GRAY	100-030-45
KENTUCKY	100-260-15
PENNSYLVANIA	100-800-25
SUEDE	100-185-65



VINE HILL #410



PATTERN DESCRIPTIONS AND DIMENSIONS

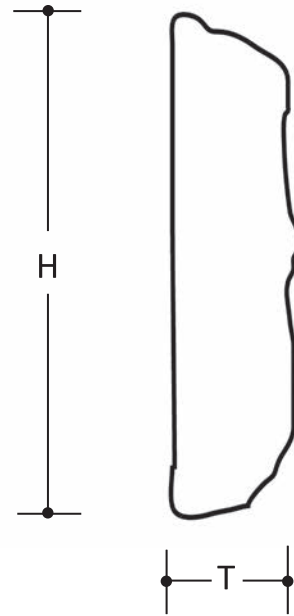
Pattern	Texture	Installation	T	H	W	Rec Joint
VINE HILL	Predominately square and rectangular with irregular spotter pieces.	Installed on a level pattern with long side down. Spotter pieces randomly placed.	1.5" to 3"	2.25" to 12"	4" to 23"	DRYSTACK

	Packaging		Weights	
	Sq.Ft.	Skid	Box	
Box	12.75		115	
Skid	102	998		
Corners	80	864	99	

Color Name	Product Code
PENNSYLVANIA	410-800-25
SUEDE	410-185-65



WEATHEREDGE #420



PATTERN DESCRIPTIONS AND DIMENSIONS

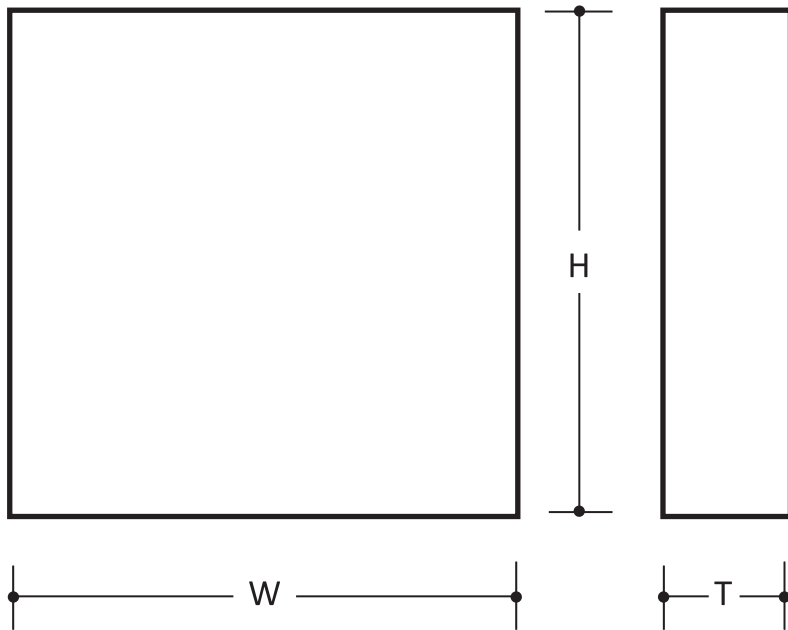
Pattern	Texture	Installation	T	H	W	Rec Joint
WEATHER-EDGE	The look of weathering erosion highlights the edges of this pattern.	Installed on horizontal level plane with mortar joint. No stones to be laid in vertical or angled position.	1" to 3.5"	1.25" to 4"	4" to 23"	3/4"

Packaging		Weights	
	Sq.Ft.	Skid	Box
Box	14.5		126
Skid	116	1088	
Corners	80	985	114

Color Name	Product Code
BROWN	260-200-25
KENTUCKY	260-260-15
PENNSYLVANIA	260-800-25



ADDRESS PLAQUE #790, 791



Engraving Not Provided

PATTERN DESCRIPTIONS AND DIMENSIONS

Pattern	Texture	Code	T	H	W
ADDRESS PLAQUE, SMALL	Smooth face, chiseled edges.	790	1.5"	7.5"	17"
ADDRESS PLAQUE, GRANDE	Smooth face, chiseled edges.	791	1.5"	10.5"	15"

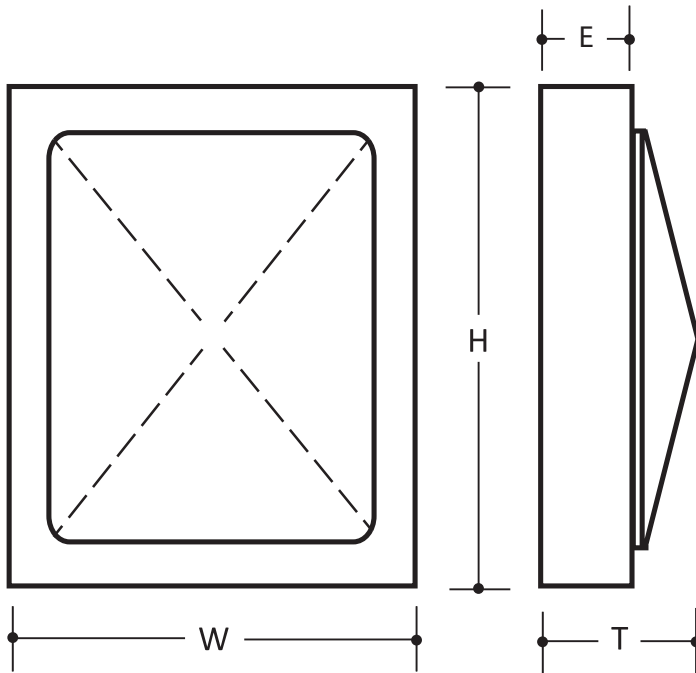
Item #	Packaging		Weights	
	Pcs	Skid	Pcs	
790	68	1156	15.9	
791	51	867	15.5	



BEVELED COLUMN CAP #580

#867

#868



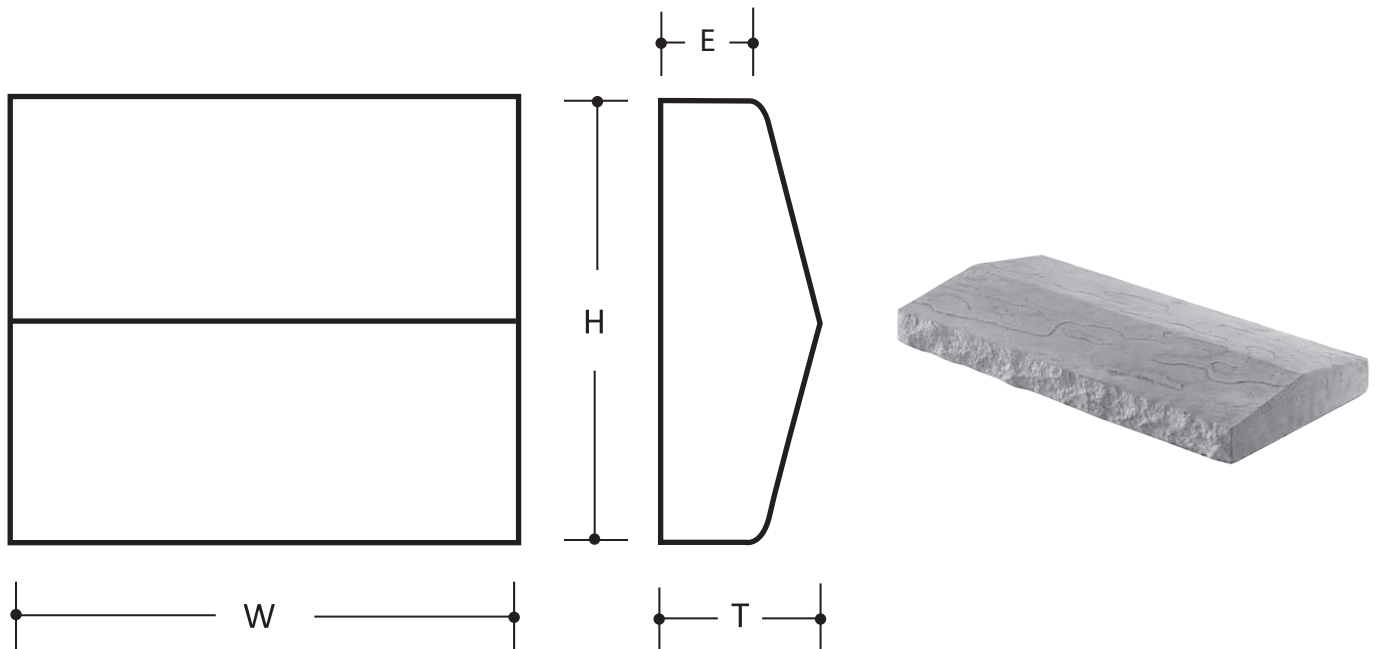
PATTERN DESCRIPTIONS AND DIMENSIONS

Pattern	Texture	Code	T	H	W	Edge
BEVELED COLUMN CAP	Chiseled top and edges, no step down on top.	580	5"	20"	20"	2.5"
	Smooth top and chiseled edges.	867	9.5"	24"	24"	4"
	Smooth top and chiseled edges.	868	8.75"	28"	28"	4"

Packaging/Skid		Weights	
#	Pcs.	Skid	Pcs.
580	14	1358	92
867	1	325	300
868	1	430	405



BEVELED WALL CAP #861, 862



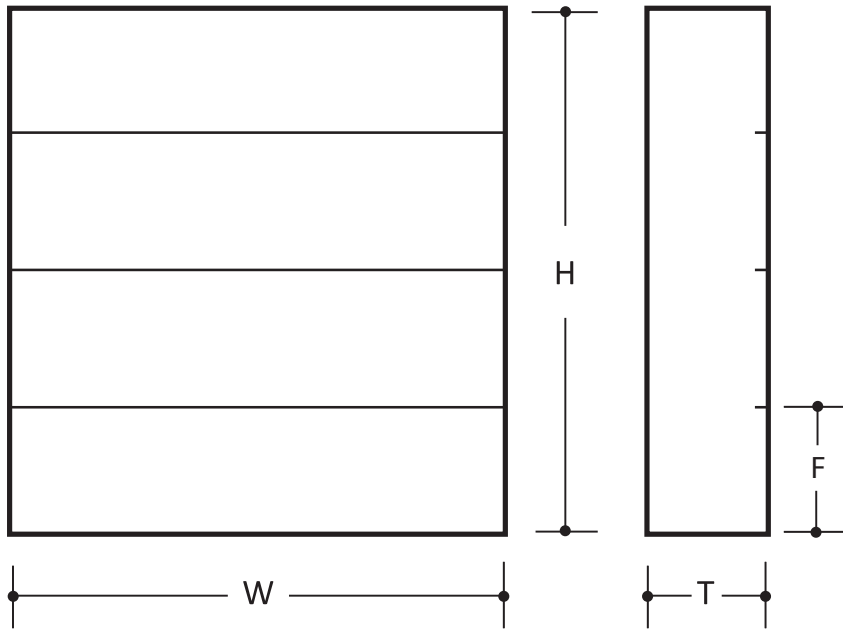
PATTERN DESCRIPTIONS AND DIMENSIONS

Pattern	Texture	Code	T	H	W	Edge
BEVELED WALL CAP	Slate face chiseled edge.	861	3"	12"	24"	2"
		862	3"	16"	24"	2"

Packaging/Skid		Weights	
#	Pcs.	Skid	Pcs.
861	36	1880	50
862	26	2002	74



BRICK TRIM - 4 PIECE #755



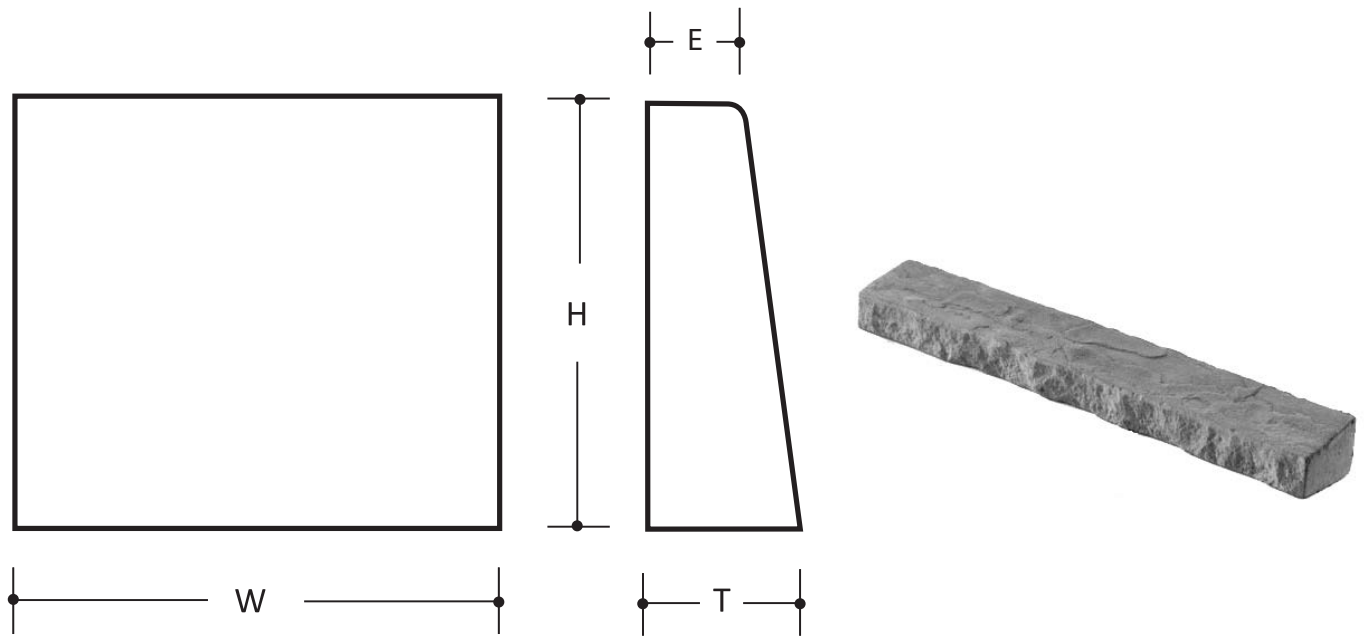
PATTERN DESCRIPTIONS AND DIMENSIONS

Pattern	Texture	Code	T	H	W	Edge
BRICK TRIM 4 PIECE	Used Brick Texture	755	2"	10.375"	7.75"	2.25"

Packaging/Skid		Weights	
#	Pcs.	Skid	Pcs.
755	90	810	8.2



CHISELED WATER EDGE #875



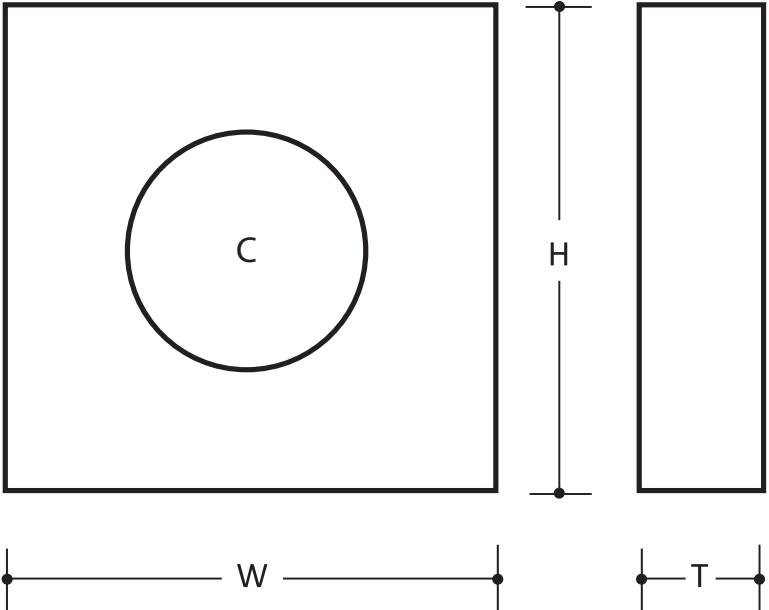
PATTERN DESCRIPTIONS AND DIMENSIONS

Pattern	Texture	Code	T	H	W	Edge
CHISELED WATER EDGE	Slate top. Chiseled front edge.	875	2.25"	3"	24"	1.75"

Packaging/Skid		Weights	
#	Pcs.	Skid	Pcs.
875	66	660	8.8



COACH LIGHT TRIM #885, 887

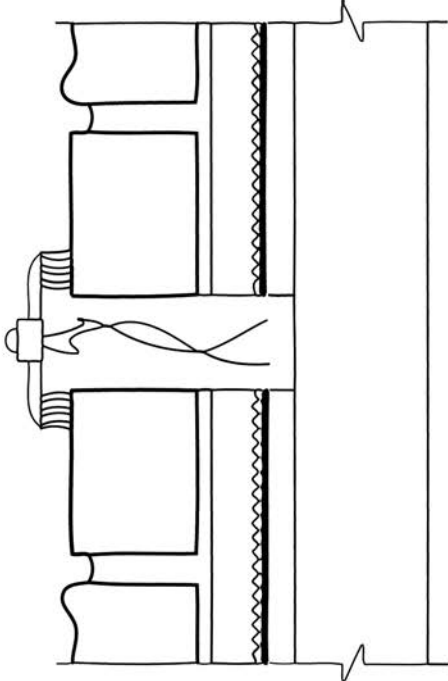
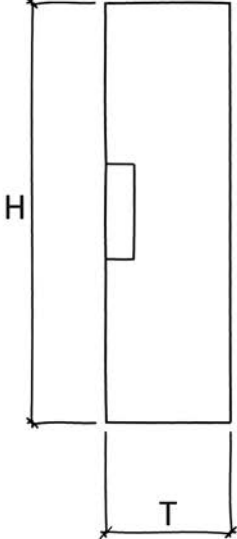
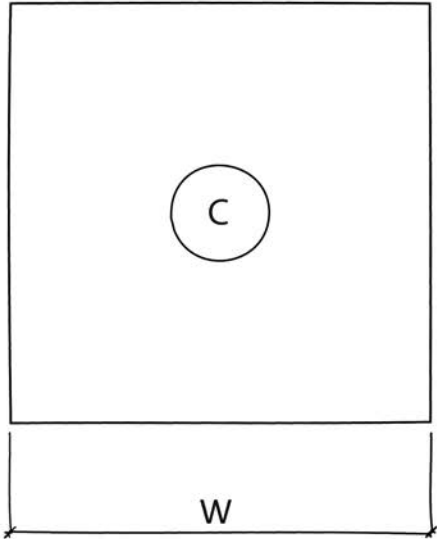


PATTERN DESCRIPTIONS AND DIMENSIONS

Pattern	Texture	Code	T	H	W	C
COACH LIGHT TRIM SMALL	Slate face	885	1.5"	6.75"	7.75"	4.25"
COACH LIGHT TRIM LARGE		887	1.5"	8"	12"	4.25"

Packaging			Weights		
#	Pcs./Skid	Pcs/Box	Skid	Box	Pcs.
885	120	8	600	40	4.4
887	120	4	1080	45	8.4

DOOR BELL PLATE #815

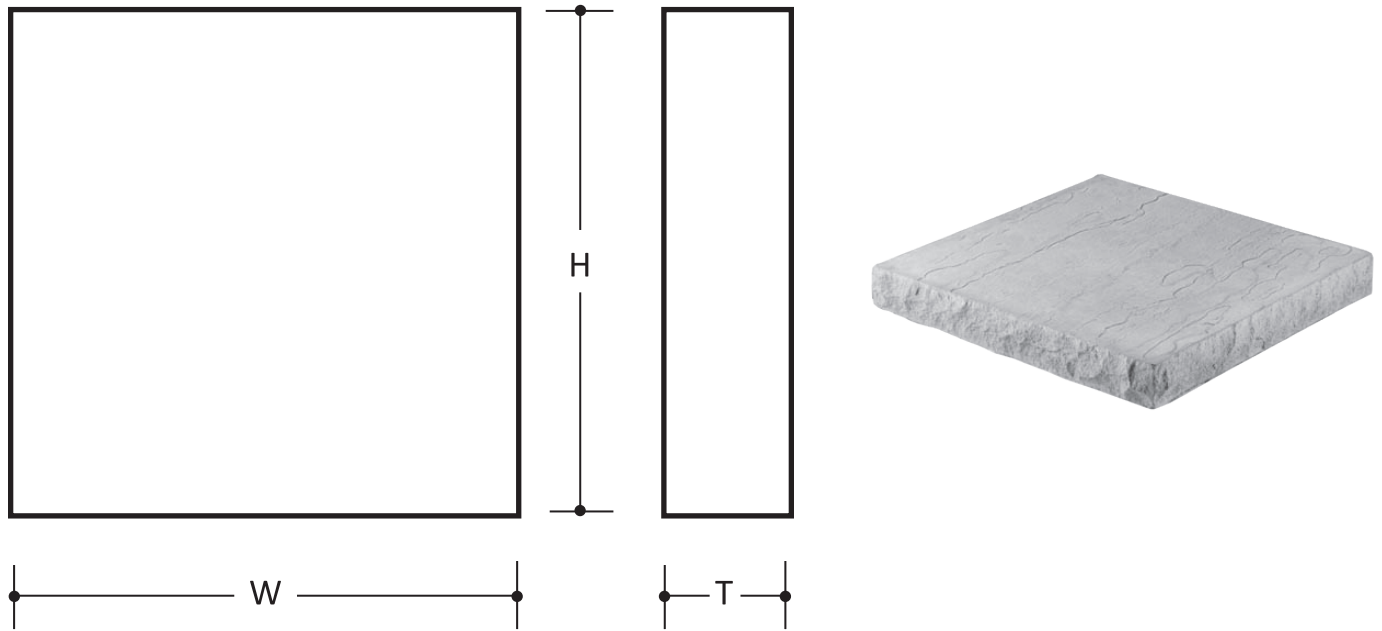


PATTERN DESCRIPTIONS AND DIMENSIONS

Pattern	Texture	Code	T	H	W	Cutout
DOOR BELL PLATE	Smooth face.	815	1"	4"	2"	DRILL

Packaging/Skid		Weights	
#	Pcs.	Skid	Pcs.
815	320	320	0.76

FLAT COLUMN CAP #865, 869



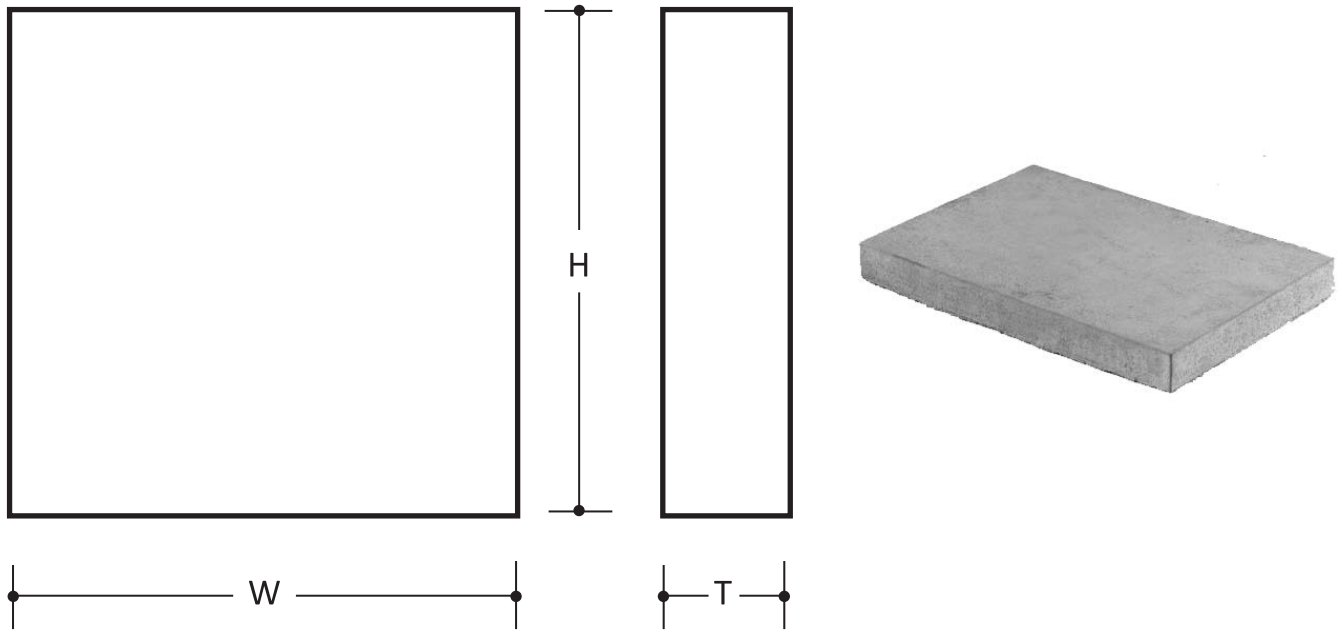
PATTERN DESCRIPTIONS AND DIMENSIONS

Pattern	Texture	Code	T	H	W
FLAT COLUMN CAP	Slate top with chiseled edges.	865	3"	24"	24"
FLAT COLUMN CAP	Slate top with chiseled edges.	869	3"	28"	28"

Packaging/Skid		Weights	
#	Pcs.	Skid	Pcs.
865	3	447	150
869	3	609	195



FLAT WALL CAPSTONE #555, 569



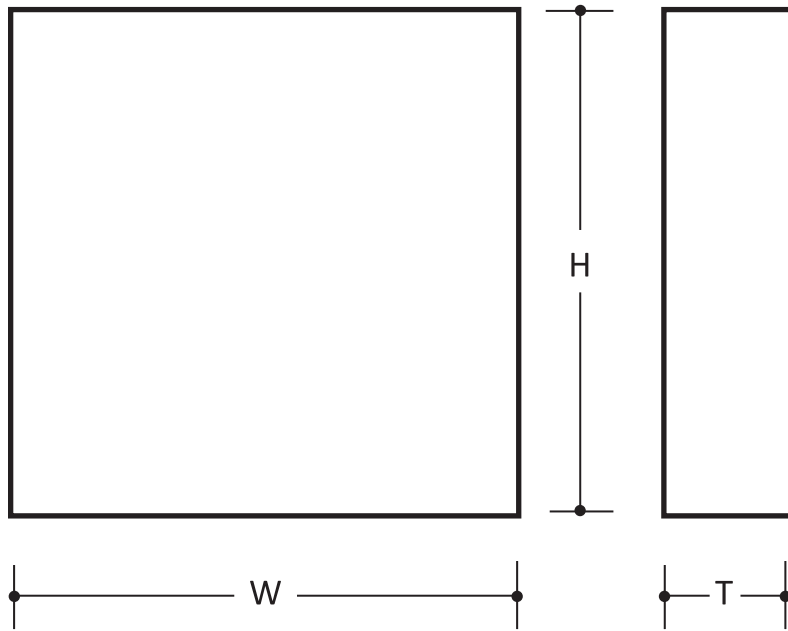
PATTERN DESCRIPTIONS AND DIMENSIONS

Pattern	Texture	Code	T	H	W
1 3/4" WALL CAPSTONE	Slate top chiseled edges.	555	1 3/4"	20"	12"
9 X 36 WALL CAPSTONE	Chiseled face.	569	2"	36"	9"

Packaging/Skid		Weights	
#	Pcs.	Skid	Pcs.
555	34	986	27
569	26	1586	58



HEARTHSTONE #860



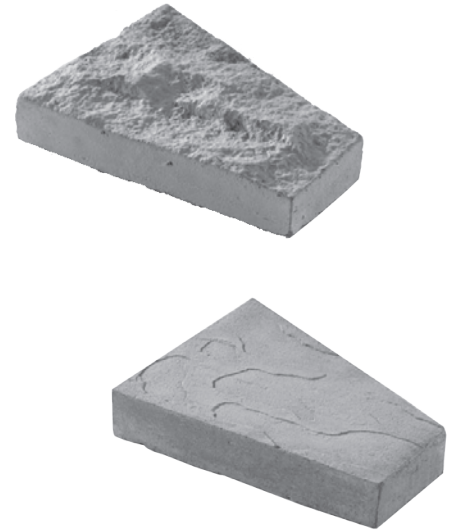
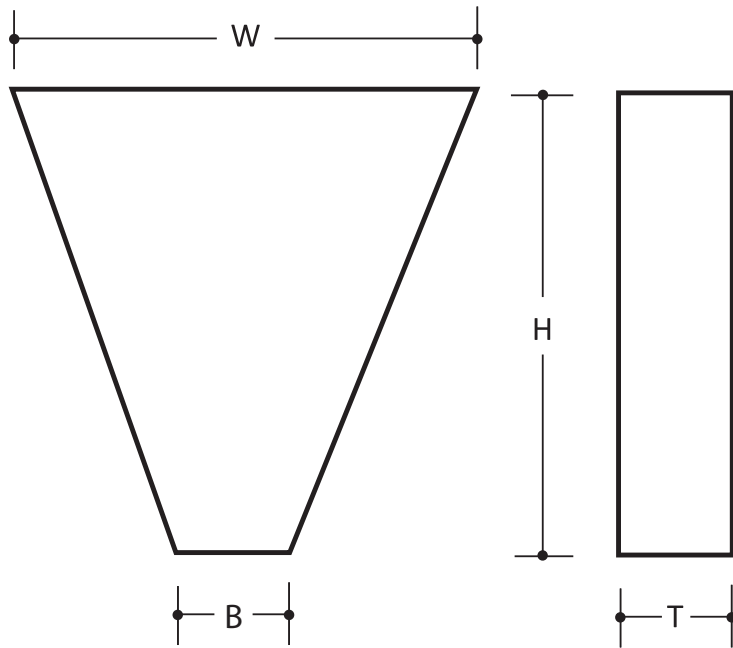
PATTERN DESCRIPTIONS AND DIMENSIONS

Pattern	Texture	Code	T	H	W
HEARTHSTONE	Flat slate top with chiseled edges.	860	1.75"	20"	18"

Packaging/Skid		Weights	
#	Pcs.	Skid	Pcs.
860	34	1326	37



KEYSTONES #880, 634



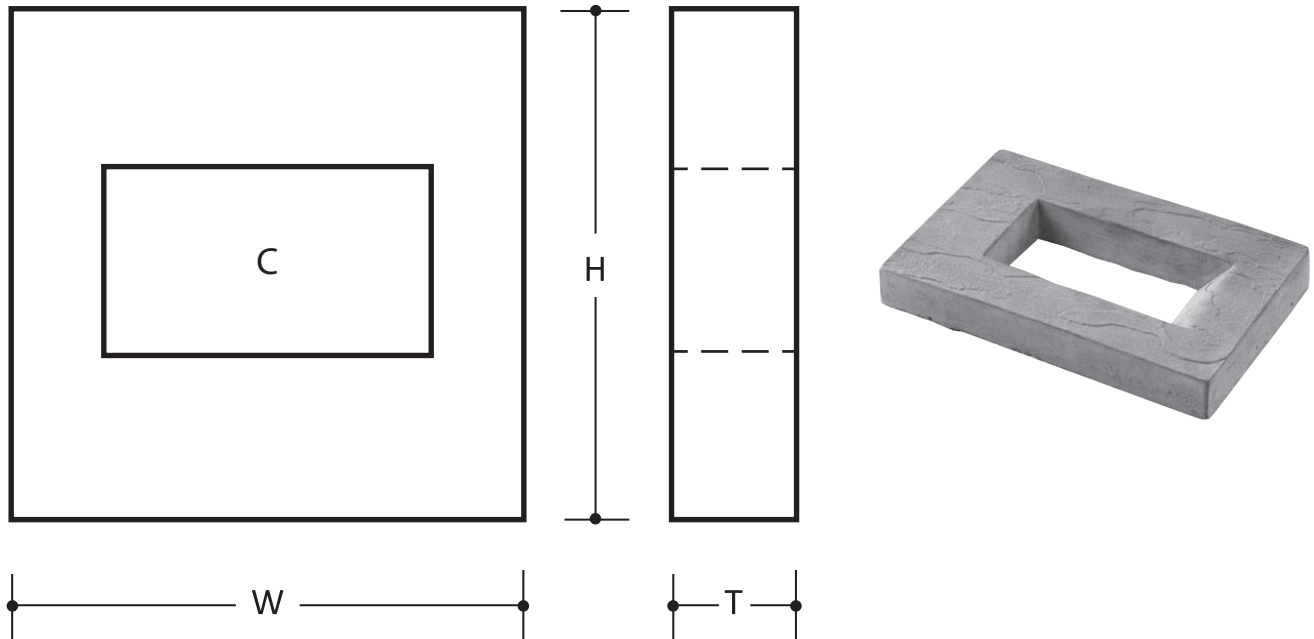
PATTERN DESCRIPTIONS AND DIMENSIONS

Pattern	Texture	Code	T	H	W	Bottom Width
KEYSTONE	Chiseled face	634	2"	10.5"	8"	4"
KEYSTONE	Slate face	880	2"	10.5"	8"	4"

#	Packaging		Weights		
	Pcs./Skid	Pcs/Box	Skid	Box	Pcs.
634	60	4	480	35	6.8
880	60	4	540	35	7.7



OUTLET BOX TRIM #886, 888



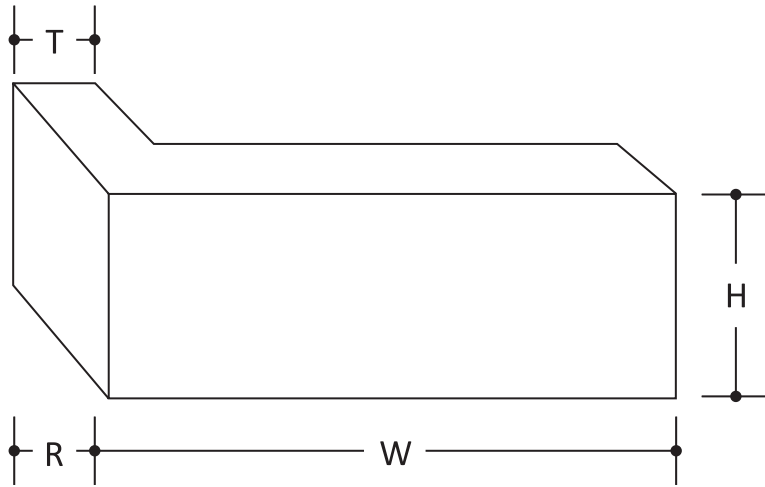
PATTERN DESCRIPTIONS AND DIMENSIONS

Pattern	Texture	Code	T	H	W	Cutout
OUTLET BOX TRIM	Slate face	886	1.5"	6.75"	7.75"	2.375" x 4.25"
OUTLET BOX TRIM		888	1.5"	12"	8"	3.75" x 6.25"

#	Packaging		Weights		
	Pcs./Skid	Pcs/Box	Skid	Box	Pcs.
886	120	8	480	40	3.4
888	120	4	480	18	3.4



QUOIN CORNERS #301



PATTERN DESCRIPTIONS AND DIMENSIONS

Pattern	Texture	Code	T	H	W	Face
QUOIN CORNERS	Smooth Face	301	1.5"	11"	14"	6.5"

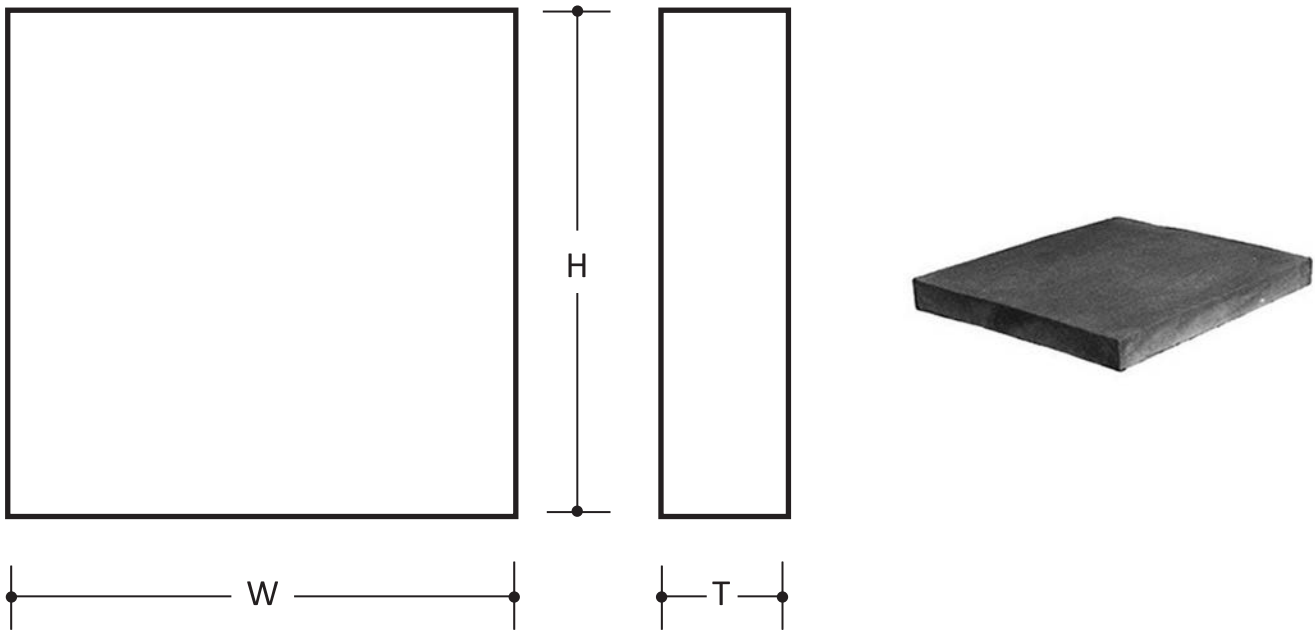
*thickness, height and width dimensions may have +/- tolerance due to hand casting of product

*trimming and shaping of pieces may be required around openings as well as maintaining a level and coarsed pattern

Packaging/Skid		Weights	
#	Pcs.	Skid	Pcs
301	32	960	27.6



QUOIN FLATS #302, 303



PATTERN DESCRIPTIONS AND DIMENSIONS

Pattern	Texture	Code	T	H	W
QUOIN FLATS	Smooth Face	302	1.5"	14"	7"
		303	1.5"	14"	12"

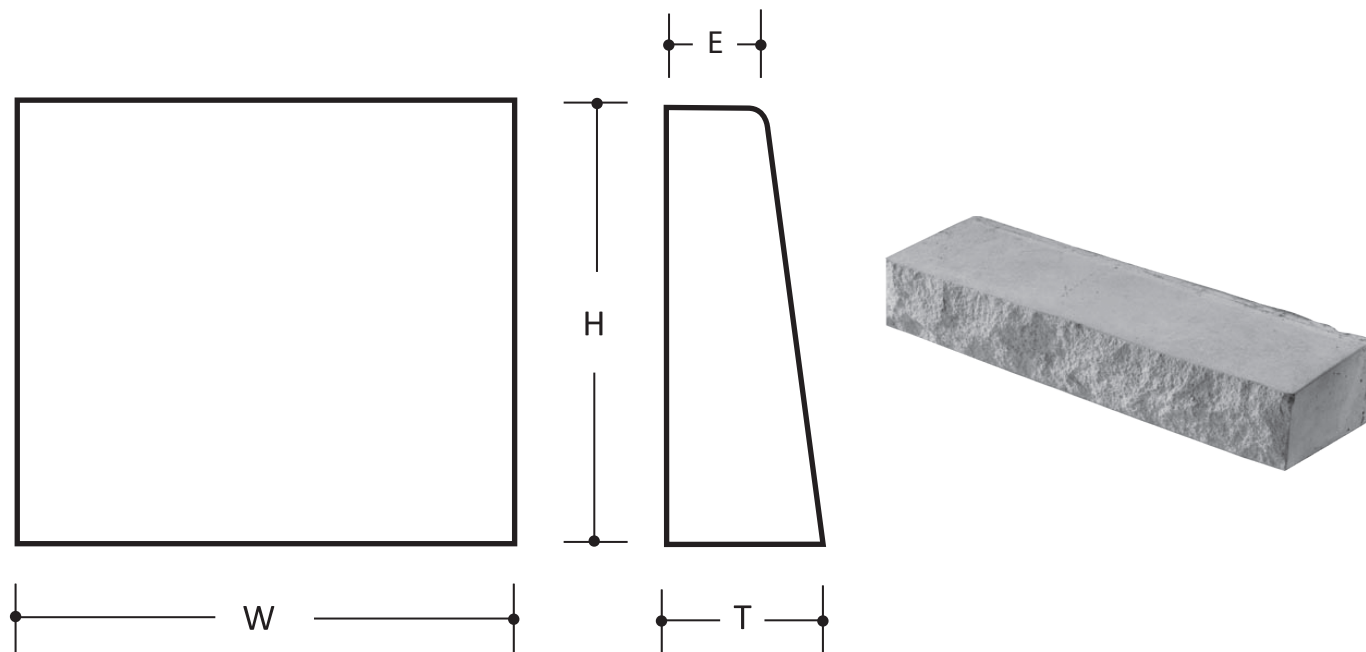
*thickness, height and width dimensions may have +/- tolerance due to hand casting of product

*trimming and shaping of pieces may be required around openings as well as maintaining a level and coarsed pattern

Packaging/Skid		Weights	
#	Pcs.	Skid	Pcs
302	120	1800	14
303	112	1568	13



RETRO SILL #597



PATTERN DESCRIPTIONS AND DIMENSIONS

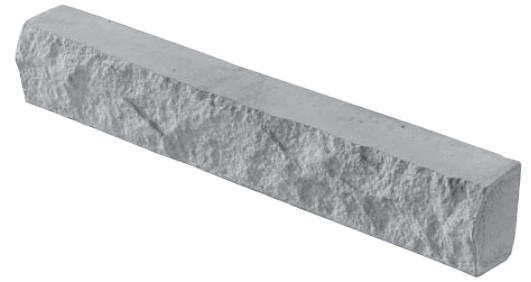
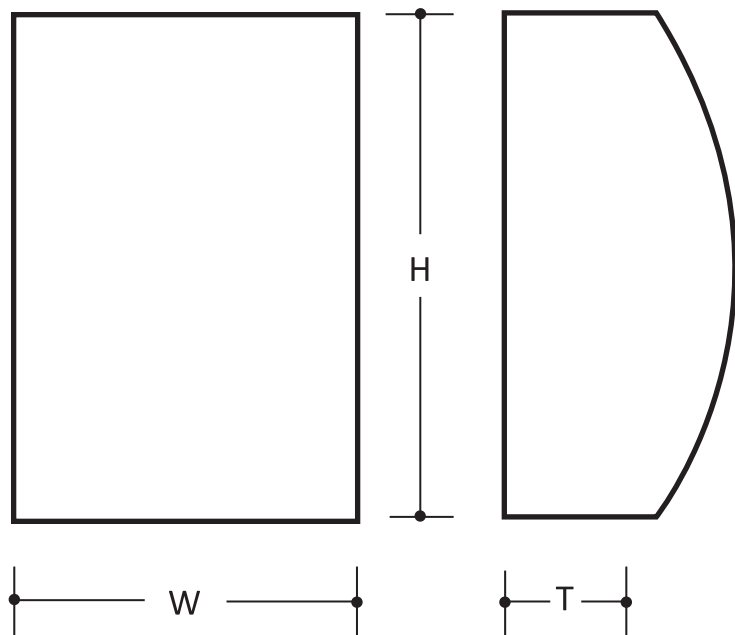
Pattern	Texture	Code	T	H	W	Edge
RETRO SILL	Chiseled face and edges.	597	4"	6"	24"	3.5"

*thickness, height and width dimensions may have +/- tolerance due to hand casting of product
 *trimming and shaping of pieces may be required around openings as well as maintaining a level and coarsed pattern

Packaging/Skid		Weights	
#	Pcs.	Skid	Pcs.
597	42	2142	49



ROCK FACE SILL #878



PATTERN DESCRIPTIONS AND DIMENSIONS

Pattern	Texture	Code	T	H	W
ROCK FACE SILL	Chiseled face and edges.	878	2.5"	3.5"	24"

Packaging/Skid		Weights	
#	Pcs.	Skid	Pcs.
878	42	630	13.2



RUBBLE WINDOW STONE

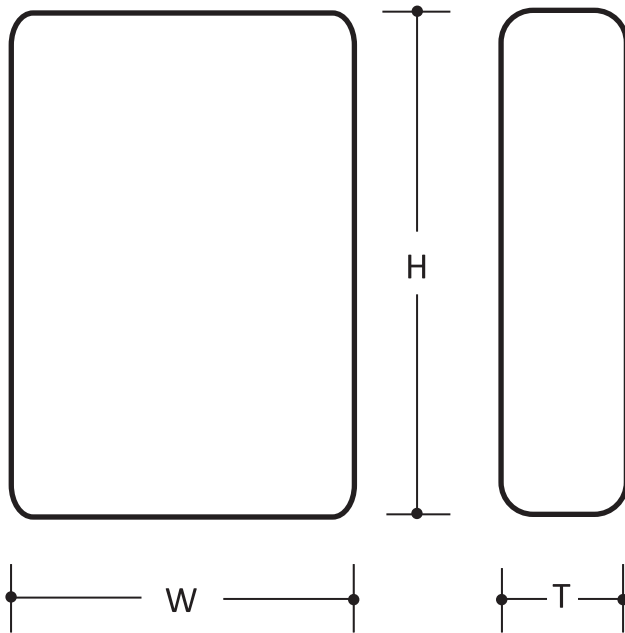
#610

#612

#613

#615

#616



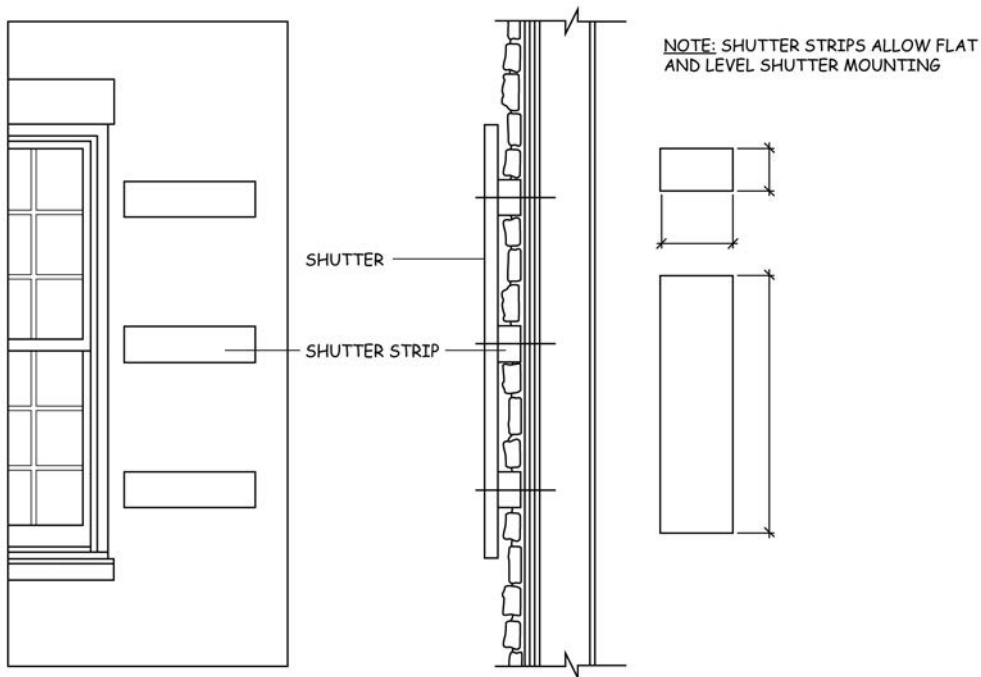
PATTERN DESCRIPTIONS AND DIMENSIONS

Pattern	Texture	Code	T	H	W
RUBBLE WINDOW STONES	Raised face and edges.	610	1.25"	5.5"	11.5"
		615	1.25"	4"	5"
		616	1.25"	5"	8"
	Right tilted.	612	1.25"	5"	8"
	Left tilted.	613	1.25"	5"	8"

Packaging/Skid		Weights	
#	Pcs.	Skid	Pcs.
610	240	720	2.7
615	480	480	1
616	240	720	2.7
612	240	720	2.7
613	240	720	2.7



SHUTTER STRIP #810



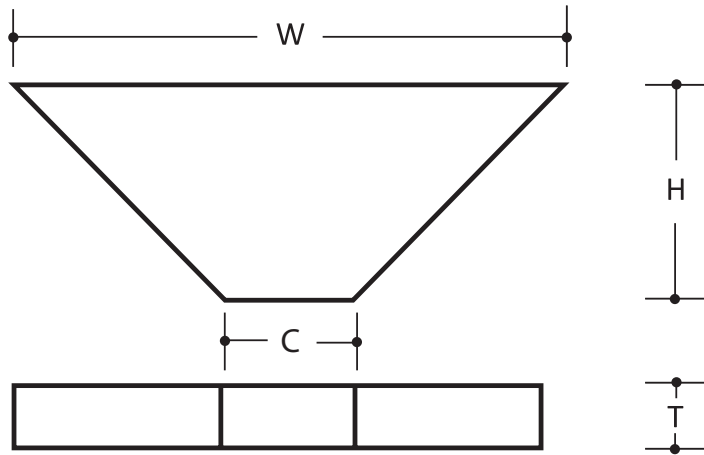
PATTERN DESCRIPTIONS AND DIMENSIONS

Pattern	Texture	Code	T	H	W
SHUTTER STRIP	Square cut edges, smooth face.	810	2"	4"	14"

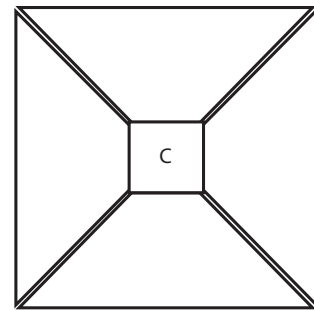
Packaging/Skid		Weights	
#	Pcs.	Skid	Pcs.
810	126	756	5.4



SPLIT FLAT COLUMN CAP #866



4 pieces per set and sold by the set



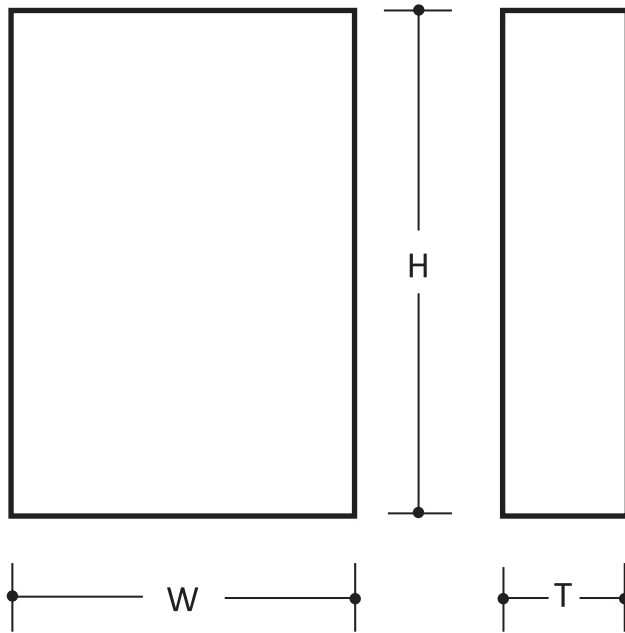
PATTERN DESCRIPTIONS AND DIMENSIONS

Pattern	Texture	Code	T	H	W	Cutout
SPLIT FLAT COLUMN CAP	Slate top. Chiseled edges.	866	4"	11.75"	30"	7"

Packaging/Skid		Weights	
#	Pcs.	Skid	Pcs.
866	20 (5 sets)	1140	57 lbs ea (228 lbs per set)



TRIM STONE #611



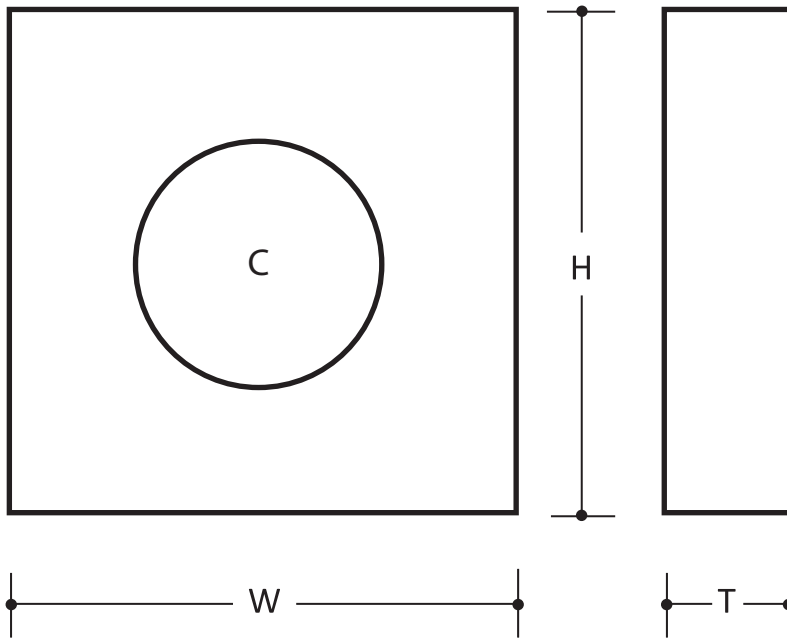
PATTERN DESCRIPTIONS AND DIMENSIONS

Pattern	Texture	Code	T	H	W
TRIM STONE	Square cut edges. Slate face.	611	2"	6"	8"

Packaging/Skid		Weights	
#	Pcs.	Skid	Pcs.
611	108	648	5.3



WATER BIB TRIM #890



PATTERN DESCRIPTIONS AND DIMENSIONS

Pattern	Texture	Code	T	H	W	Cutout
WATER BIB TRIM	Slate face.	890	1.5"	6.75"	7.75"	1.5"

Packaging			Weights		
#	Pcs./Skid	Pcs/Box	Skid	Box	Pcs.
890	120	8	720	43	5.4

