

“Rondo” Pavilion PR Ø3.94

Technical changes reserved

Assembly instructions

As at: 05.2011





Dear Garden lover,

we congratulate you on the purchase of a quality product from the house of HOKLARTHERM.

The construction is easy. First read the assembly instructions and follow these step by step!

Parts list:

Before starting assembly check that you have all the parts by using the parts list. Every package undergoes a quality control check before it is sealed thereby virtually eliminating missing parts. Please let us know if any parts are missing.

Warning:

The manufacturer assumes no responsibility for damage as a result of improper assembly or force majeure.

The construction of the pavilion should be completed by at least three people!

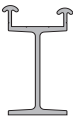

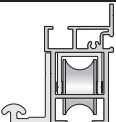

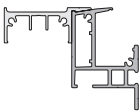

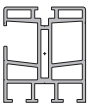
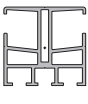

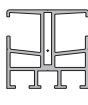
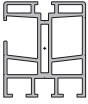
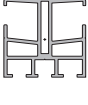
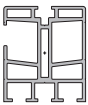
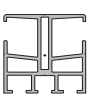
Make sure you work with safe and appropriate tools. During assembly, work on a stable stand or ladder (accident risk).

Apart from the insertion of screws, we recommend working with gloves (risk of injury and cuts)!

You will need the following tools for construction:

- 1 unit Phillips screwdriver size 2 PH
- 1 unit Slot screwdriver
- 2 unit Spanner or open-end wrench 13 mm / 17 mm
- 1 unit Allen key 8 mm
- 1 unit Level
- 1 unit Stepladder
- 1 unit Rubber hammer
- 1 unit Tape measure
- Hammer drill + bit 3 PH
- 2nd stepladder

Parts list

| Position | Image | Name | Number |
|----------|---|---|--------|
| 1.1 |  | Rail with sole plate (if ordered) Arc length 5114mm | 2 |
| 1.2 |  | Rail (not applicable for rails with sole plate) Arc length 5114mm | 2 |
| 2.1 |  | Roller profile with door rail (exterior ring) Arc length 5230mm | 1 |
| 2.2 |  | Roller profile (interior ring) Arc length 5042mm | 1 |
| 3.1 |  | Gutter profile with door rail (exterior ring) Arc length 5224mm | 1 |
| 3.2 |  | Inner gutter profile (inner ring) Arc length 5036mm | 1 |
| 4.1 |  | Side skirting upright (inner ring) Length 1895mm | 2 |
| 5.1 |  | Side mid-upright (inner ring) Length 1895mm | 5 |
| 6.1 |  | Roof skirting upright (inner ring) Arc length approx. 17235mm | 2 |
| 7.1 |  | Roof mid upright (inner ring) Arc length 1719mm | 5 |
| 4.2 |  | Side skirting upright (outer ring) Length 1951mm | 2 |
| 5.2 |  | Side mid upright (outer ring) Length 1951mm | 4 |
| 6.2 |  | Roof skirting upright (outer ring) Arc length approx. 1804mm | 2 |
| 7.2 |  | Roof mid upright (outer ring) Arc length approx. 1800mm | 5 |

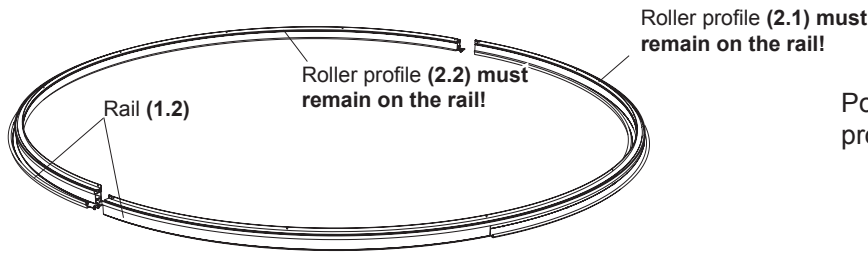
Accessory bag



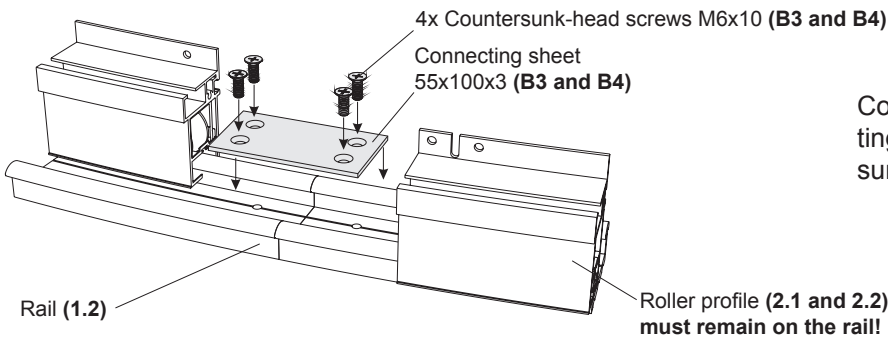
| Position | Name | Content | Number |
|----------|---|--|----------------------------|
| B1 | Bag 1 (FR 3 part) | - Connection piece for sole plate 150x80x6 (alu) - Hexagonal screw M10x30- Washer 10.5 - Hex nut M10- Connecting sheet 55x100x3 - Countersunk-head screw M6x10 | 3 6 12 6 |
| B2 | Bag 2 (SP 2 part) | - Connection piece for sole plate 150x80x6 (alu) - Hexagonal screw M10x30 - Washer 10.5 - Hex nut M10 - Connecting sheet 55x100x3 - Countersunk-head screw M6x10 | 2 4 8 4 2 8 |
| B3 | Bag 3 (Rail 3 part) | - Countersunk-head tapping screw 5.5x70 - Master dowel 8mm - Connecting sheet 55x100x3 - Countersunk-head screw M6x10 | 22 22 3 12 |
| B4 | Bag 4 (Rail 2 part) | - Countersunk-head tapping screw 5.5x70 - Master dowel 8mm - Connecting sheet 55x100x3 - Countersunk-head screw M6x10 | 22 22 2 8 |
| B5 | Bag 5 (Roller profile) | - End plate (roller profile) - Round-head tapping screw 4.8x13 | 4 4 |
| B6 | Bag 6 (Gutter profile) | - End plate (gutter profile) - Round-head tapping screw 4.8x13 - Water slot caps | 4 8 15 |
| B7 | Bag 7 (Uprights) | - Round head tapping screw 4.8x32 (on the roller profile and gutter profile) | 40 |
| B8 | Bag 8 (Uprights, pagoda roof (PR)) | - Round head tapping screw 4.8x32 (on the pressure ring) - Round head tapping screw 4.8x60 (on the gutter profile) - Countersunk-head tapping screw 4.8x70 (for screw joint underneath the upper door guide) | 18 15 3 |
| B9 | Bag 9 (Roof up-rights, domed roof variation (DRV)) | | |
| B10 | Bag 10 (Door) | - Countersunk-head tapping screw 4.8x70 - Glass edge protection | 8 4 |
| B11 | Bag 11 (Ventilator) | - Eyebolt M6 (for rope guide ventilator) - Hex nut M6 - Washer 6.4 - Wooden ring for ventilator opener with transverse bore - PP braided cord, black; approx. 4mm, 3m | 2 4 2 2 1 |
| B12 | Bag 12 (Door rail) | - Door rail end cover - Round head screw 4.8x13 | 2 4 |
| B13 | Bag 13 (Glazing) | - Glass edge protection | 36 |
| B14 | Bag 14 (Locking pin) | - Eye-bolt M6 - Hex nut M6 - Washer 6.4 - Pin + chain | 1 2 1 1 |

Rail assembly (with / without sole plate)

Assembly without sole plate

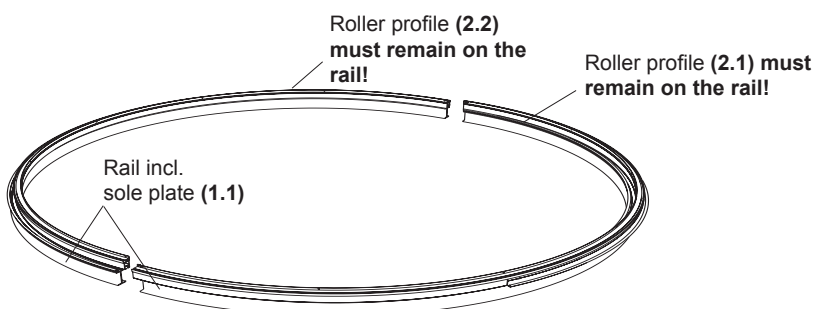


Position the rail (1.2) with the roller profile (2.1 and 2.2)



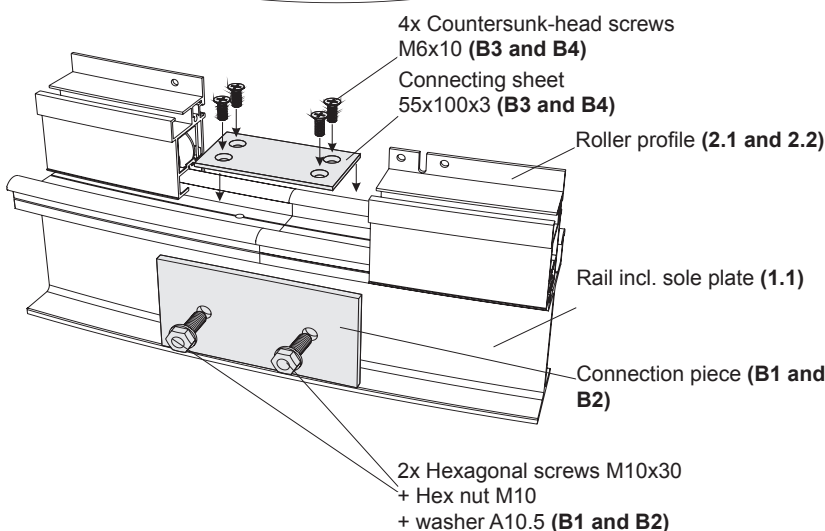
Connect the rails (1.2) with the connecting sheet 55x100x3 using the countersunk-head screw M6x10 (B3 and B4)

Assembly with sole plate



WARNING!
Do not set sole plate in concrete!

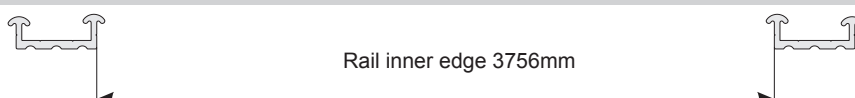
Bring the rail incl. sole plate into position (1.1) with the roller profiles (2.1 and 2.2)



Connect the rails (1.1) with the connecting sheet 55x100x3 using the countersunk-head screw M6x10 (B3 and B4)

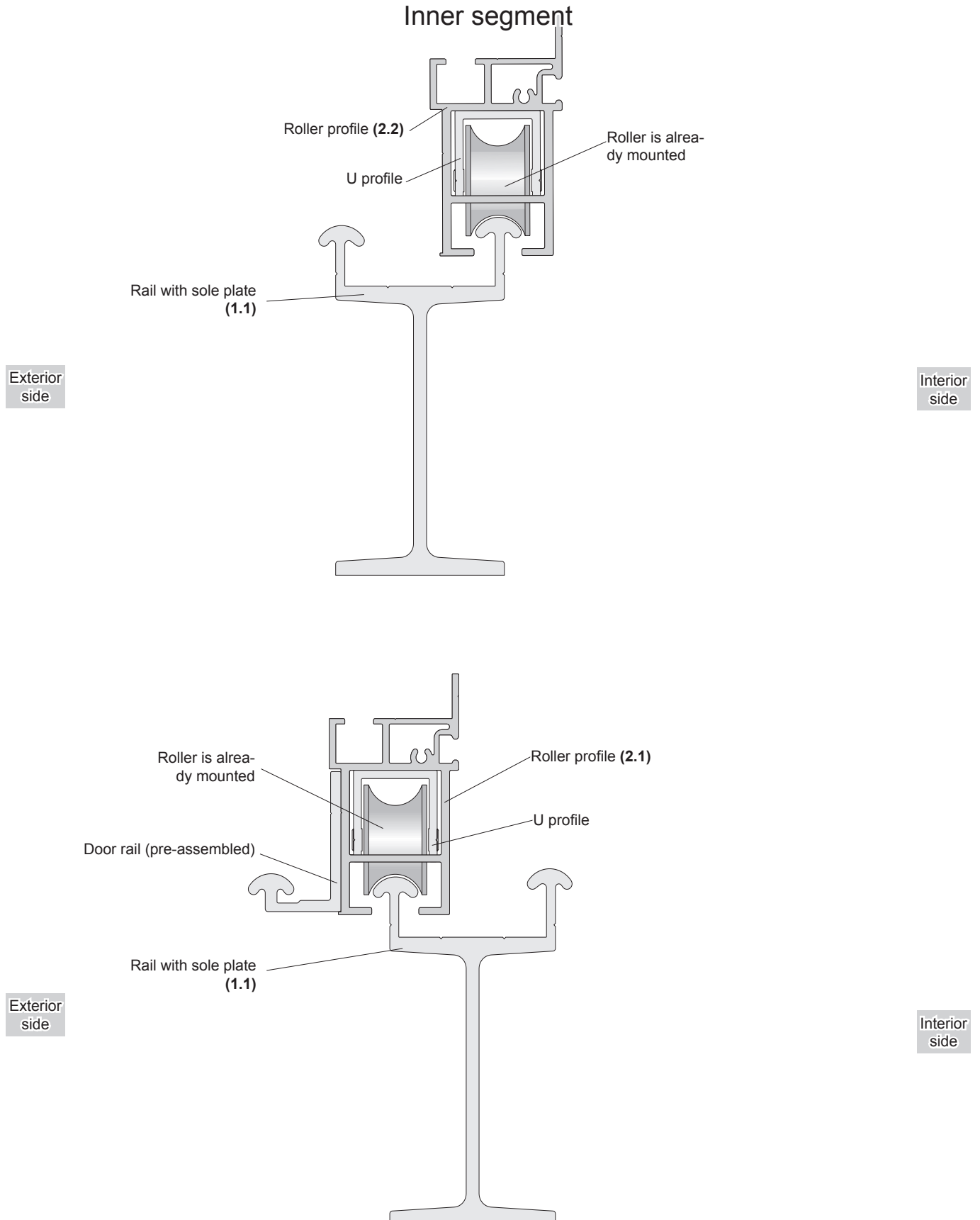
Screw the rail incl. sole plate (1.1) with the connection piece (B1 and B2) using the hexagonal screws M10x30 + nuts and washers (B1 and B2).
(The piece to the external side of the ring)

Prior to final attachment of the rails, the inner diameter of the rails must be brought to a **single** measure at four positions.

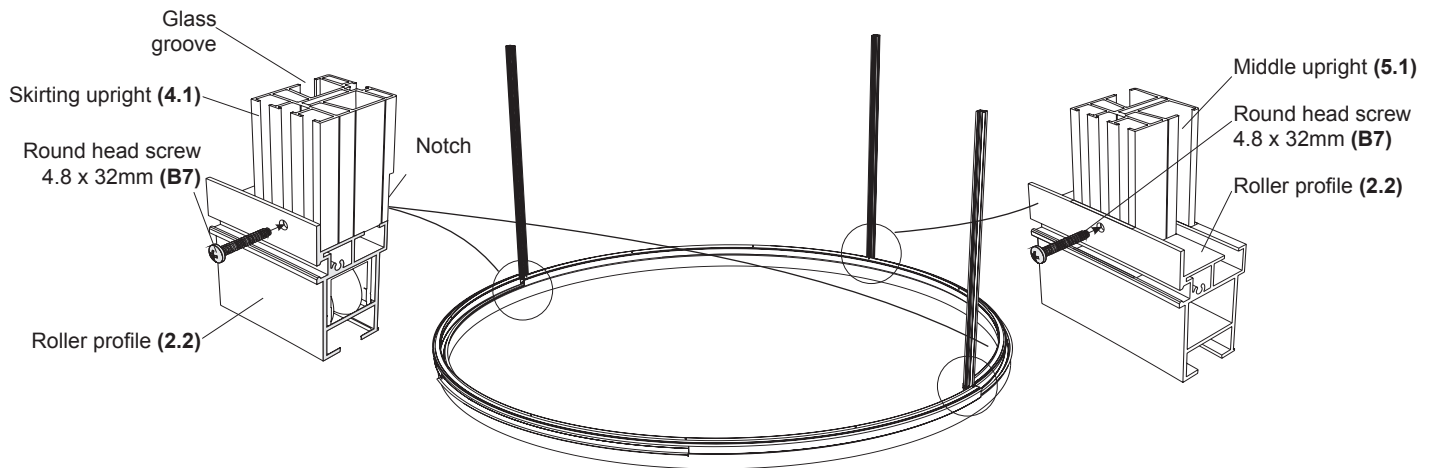


Rail assembly

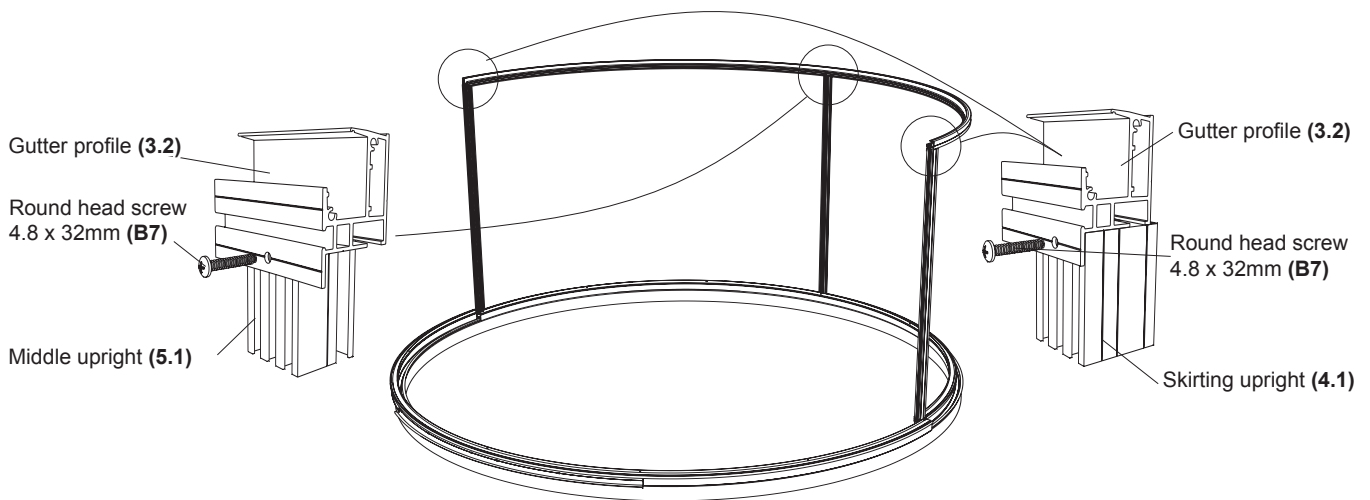
The assembly of the side elements starts with the assembly of the base profile on the rail.
Start with the inner (small) element.



Side element (inner) assembly

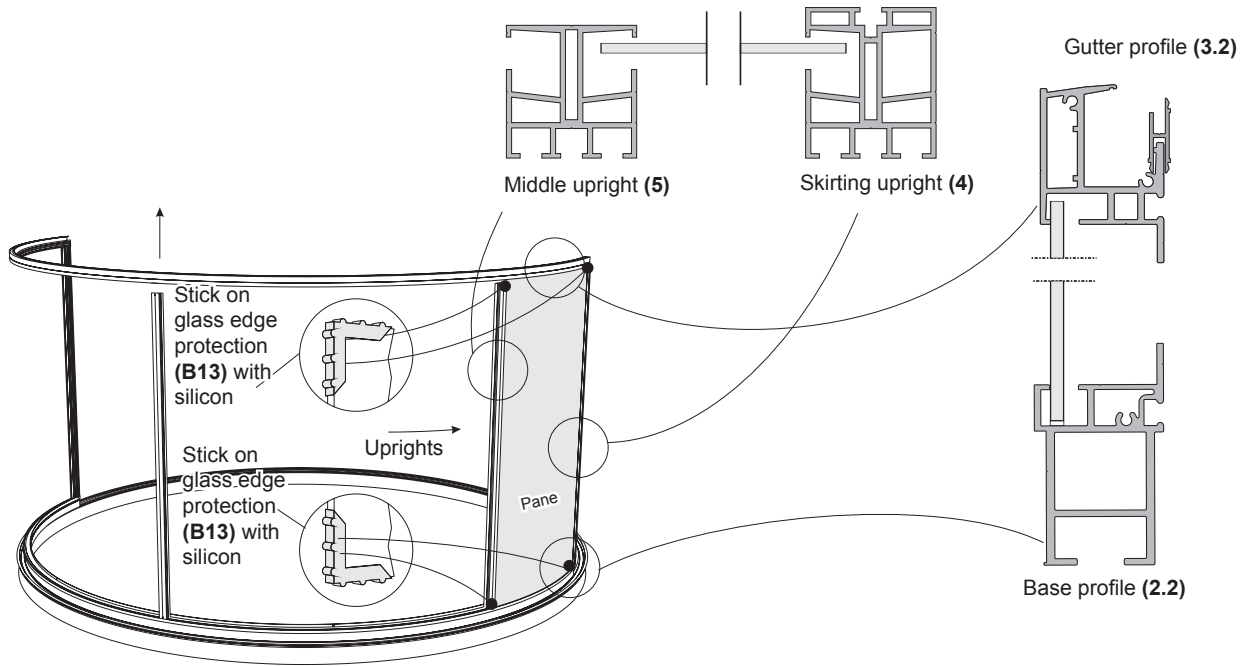


Screw the skirting upright (4.1) and the middle side upright (5.1) with one 4.8 x 32 mm round head screw (B7) each to the roller profile (2.2) (see above). The bores are prepared ex factory. For the skirting uprights (4.1) make sure that the glass groove is aligned in the direction of the element.

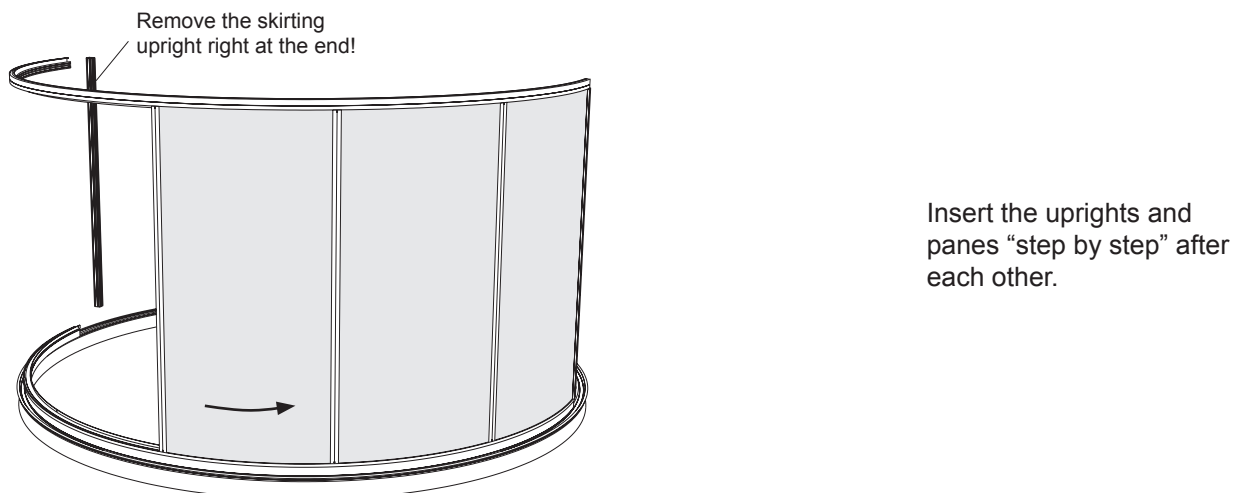
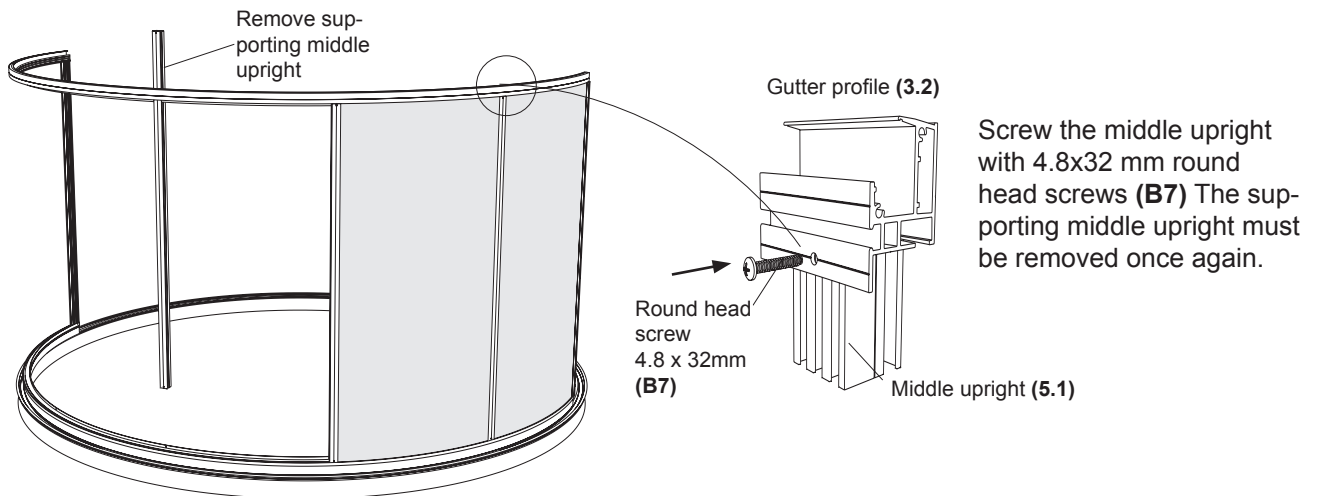


Do not yet screw the middle upright. It currently only has a supporting function.

Side element assembly (inner) + glazing

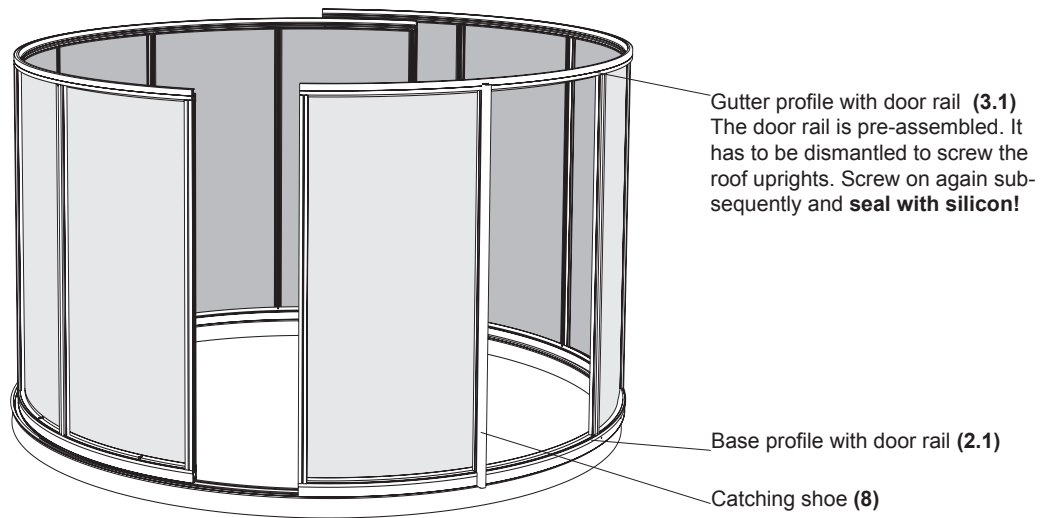


Prior to inserting glazing, the glass holding corner protectors (**B13**) must be mounted. Bend the gutter profile (**3.2**) upwards in the middle somewhat. It is possible that the screws on the skirting upright will have to be loosened again. Insert pane and middle upright (**5.1**)



Warning: Do not put the seals in!
The seals come right at the end after the final adjustment.

External side element assembly

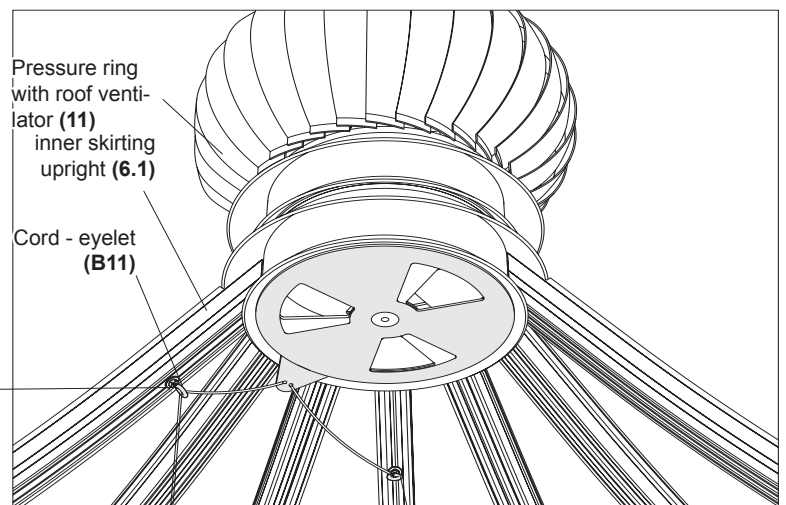
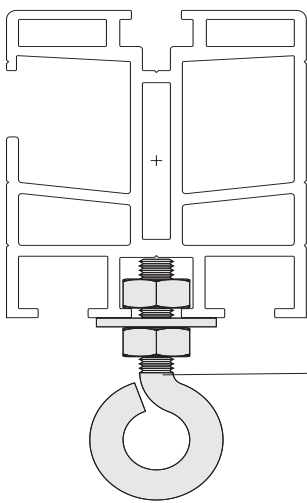
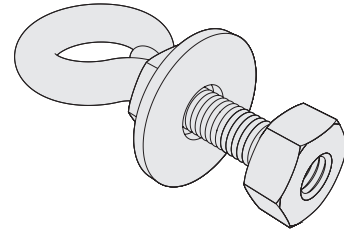


The external element is constructed exactly the same as the inner element (repeat the points on pages 8 and 9). Do not insert glazing into the second panel from the left (from the outside). This is the position for the sliding door.

Before the roof uprights are connected with the roof ventilator (11) and the side elements, the cord - eyelet (B11) must be fixed in the lower duct of the roof upright.

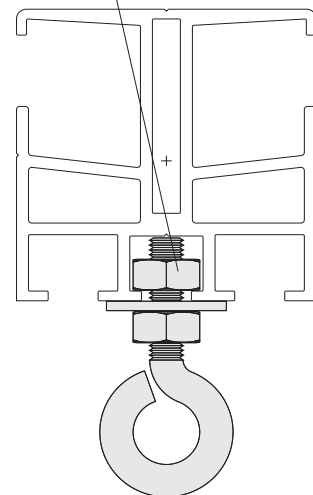
Warning: The cord - eyelets **cannot** be included later on.

Cord - eyelet (B11)



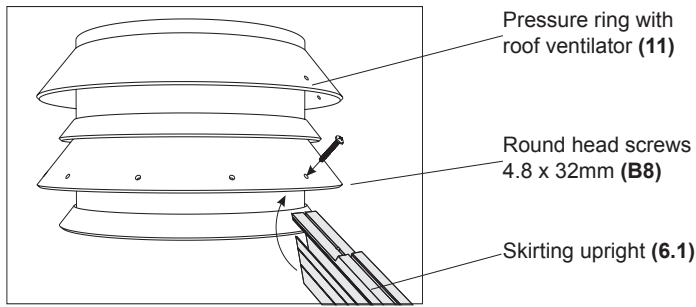
The first eyelet (B11) always belongs in the skirting upright.

Cord is later pulled through the eyelets, which turns the Plexiglas lid to close the roof ventilator.

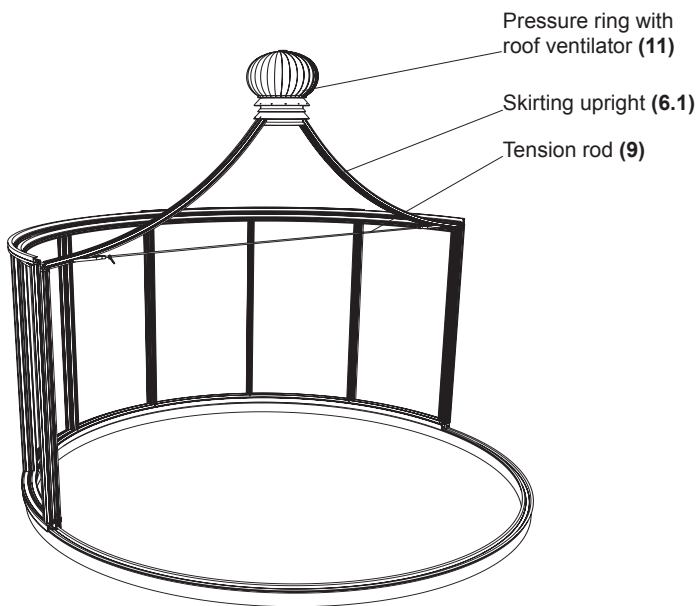


The position of the second eyelet (B11) depends on the diameter of the pavilion (number of panels). It should be mounted in the second upright of the small roof segment.

Roof ventilator, roof uprights and tension rod assembly

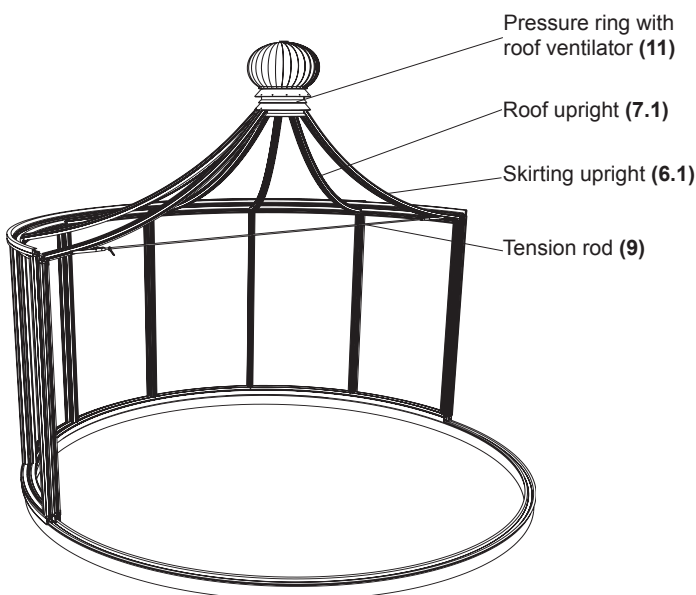
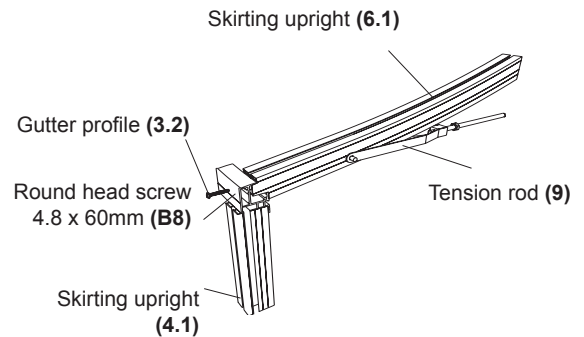


Fix the inner roof skirting upright (6.1) with round head screws 4.8 x 32 mm (B8) to the lower pressure ring of the air ventilator (11)



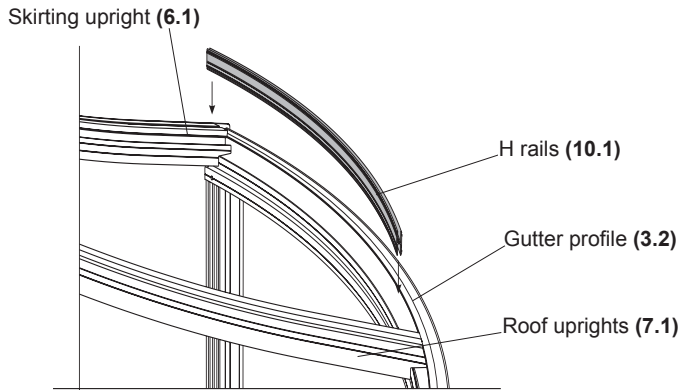
Fix the inner roof skirting upright (6.1) with the gutter profile using round head screws 4.8 x 32 mm (B8). Subsequently fix the tension rod (9).

Skirting upright - gutter profile detail

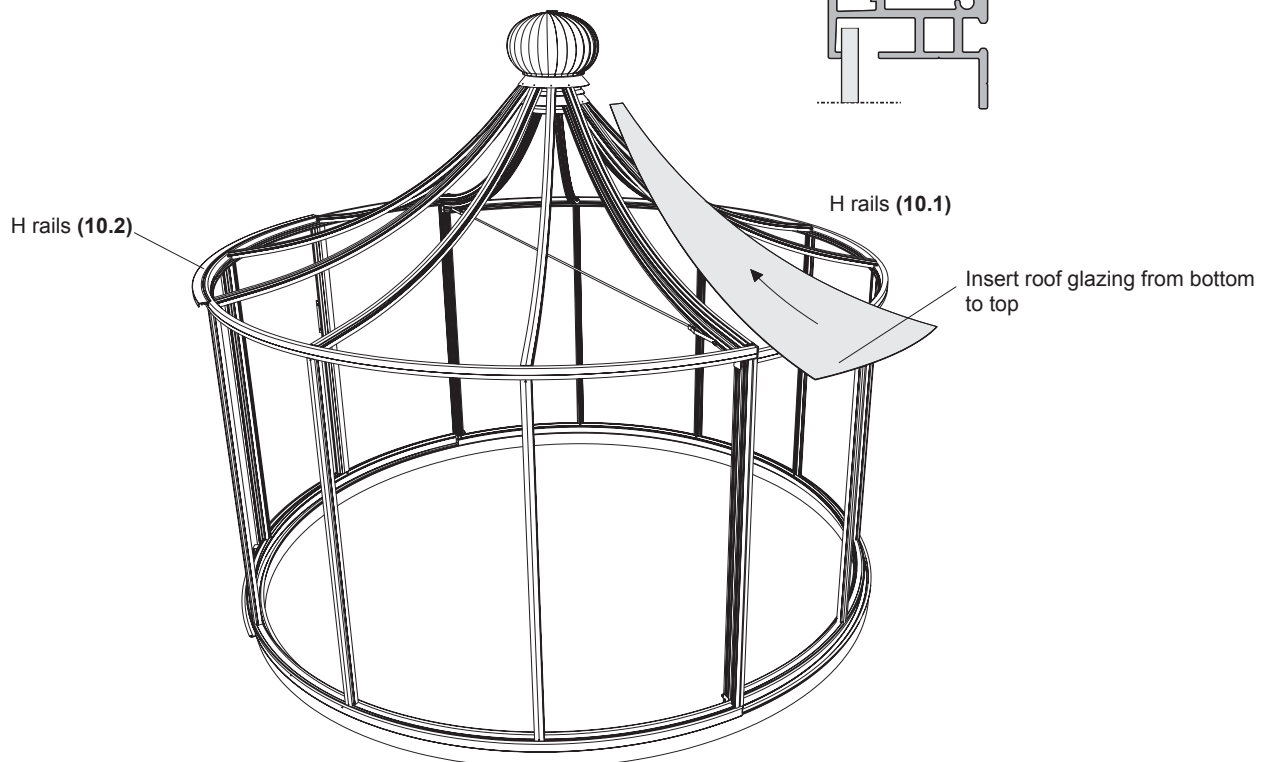
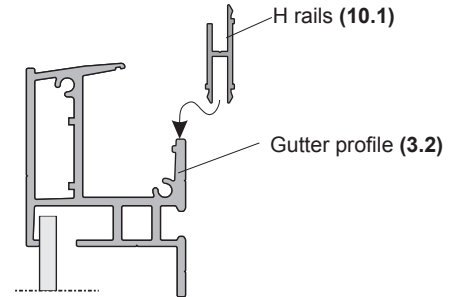


Insert the remaining roof uprights (7.1) **ONLY** screw the round head screws 4.8 x 32mm (B8) at the pressure ring. Screwing of the gutter profile only takes place **after** glazing insertion.

Insert roof glazing



The H rails (10.1) must be inserted in the gutter profile (3.2) (carefully hammer in with the rubber hammer) before roof glazing insertion. As the uprights have to be pushed to the side during glazing, only insert the next H rails after glazing the previous panel.



First glaze the inner roof surface.

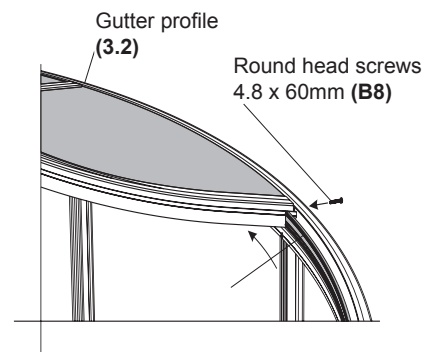
To insert roof glazing, the bottom end of the next roof upright must be pushed to one side.

Now the glazing can be inserted from the bottom up into the glass groove. The uprights can subsequently be moved to their original position and fixed with round head screws 4.8 x 60mm (B9).

The door rail has been pre-assembled for the exterior element. This must be dismantled so that the uprights can be screwed to the gutter profile.

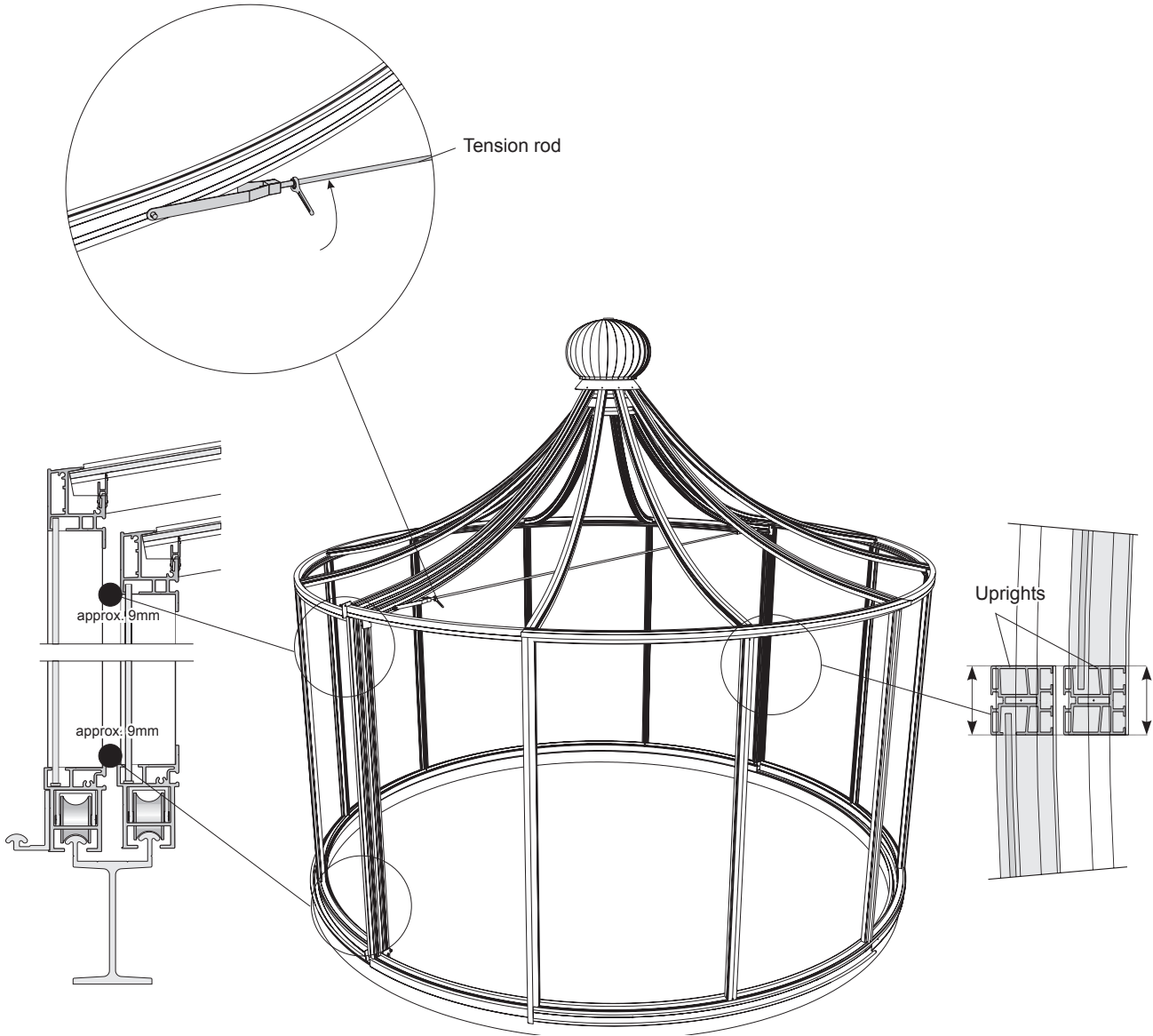
For the last panel, the already screwed upright must be loosened to allow it to be pushed to one side.

Middle upright - gutter profile detail



Warning: Do not pull in any seals yet!
The seals come right at the end after the final adjustment.





Adjust the construction



Please ensure it is parallel and perpendicular

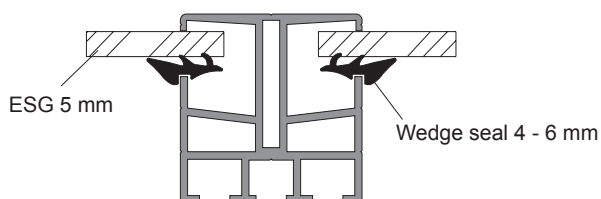
Once both elements are arranged and glazed they must now be aligned. Position the elements so that the skirting uprights stand on top of each other. Tension the tension rods to ensure that the distance between the skirting uprights above and below is approximately parallel and identical. Once the construction has been aligned please induct the supplied seals.

Seals for 5 mm ESG glazing in the area of the standing wall

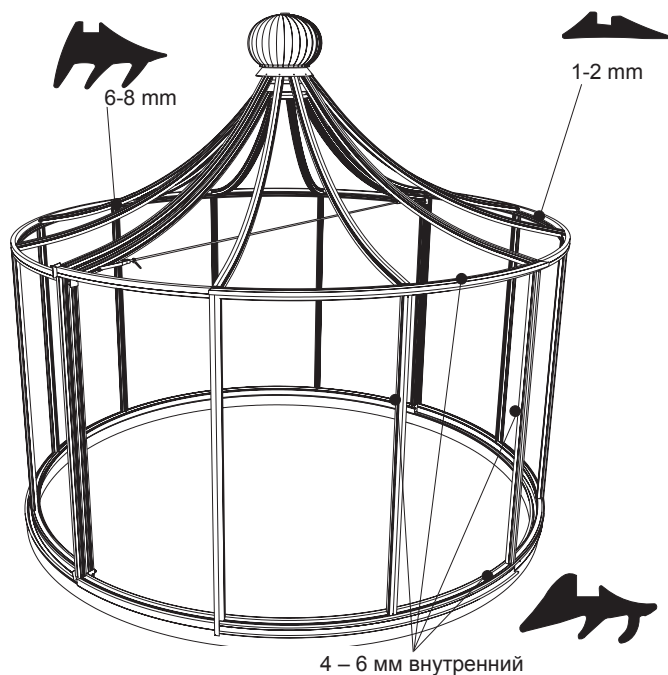
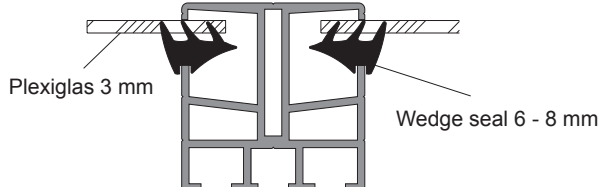
| Image | Seal | Purpose | Number | Length |
|---|---------------------|-----------------------------|----------------------|-----------------------------|
|  | Wedge seal 4 - 6 mm | Side glazing | 12 12 12 12 | 1925 1980 975 1005 |
|  | Wedge seal 4 - 6 mm | Door | 2 2 | 1980 1010 |
|  | Wedge seal 6 - 8 mm | Roof uprights | 12 12 | 2090 2170 |
|  | Wedge seal 1 - 2 mm | Gutter profile roof glazing | 6 6 | 950 980 |

No seals are required in the external area!

Side upright cross section



Roof uprights cross section

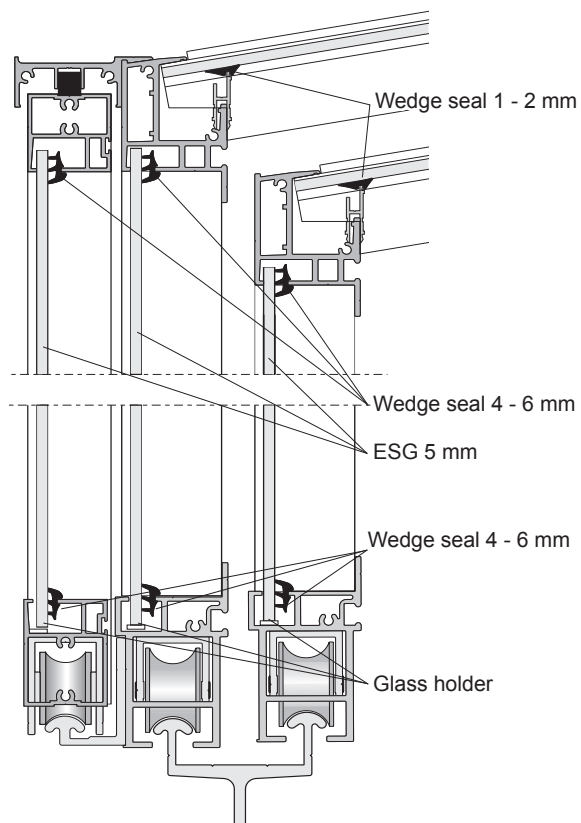


Note:



Pull wedge seals apart here!

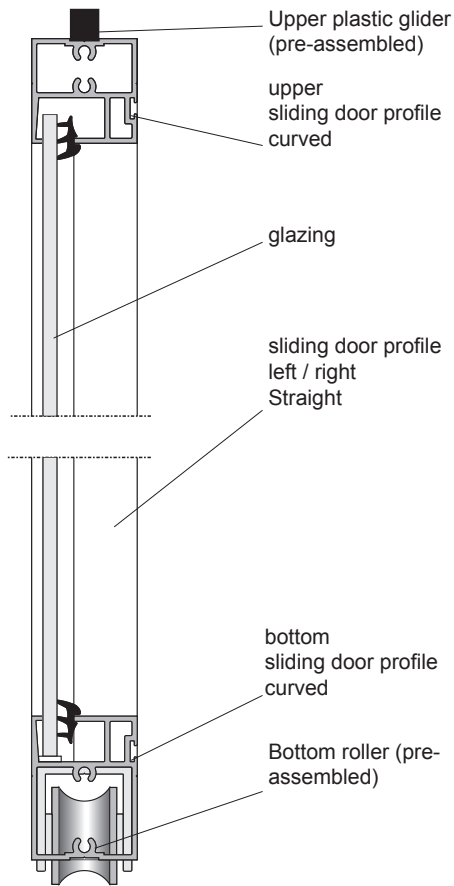
Side wall / sliding door cross section



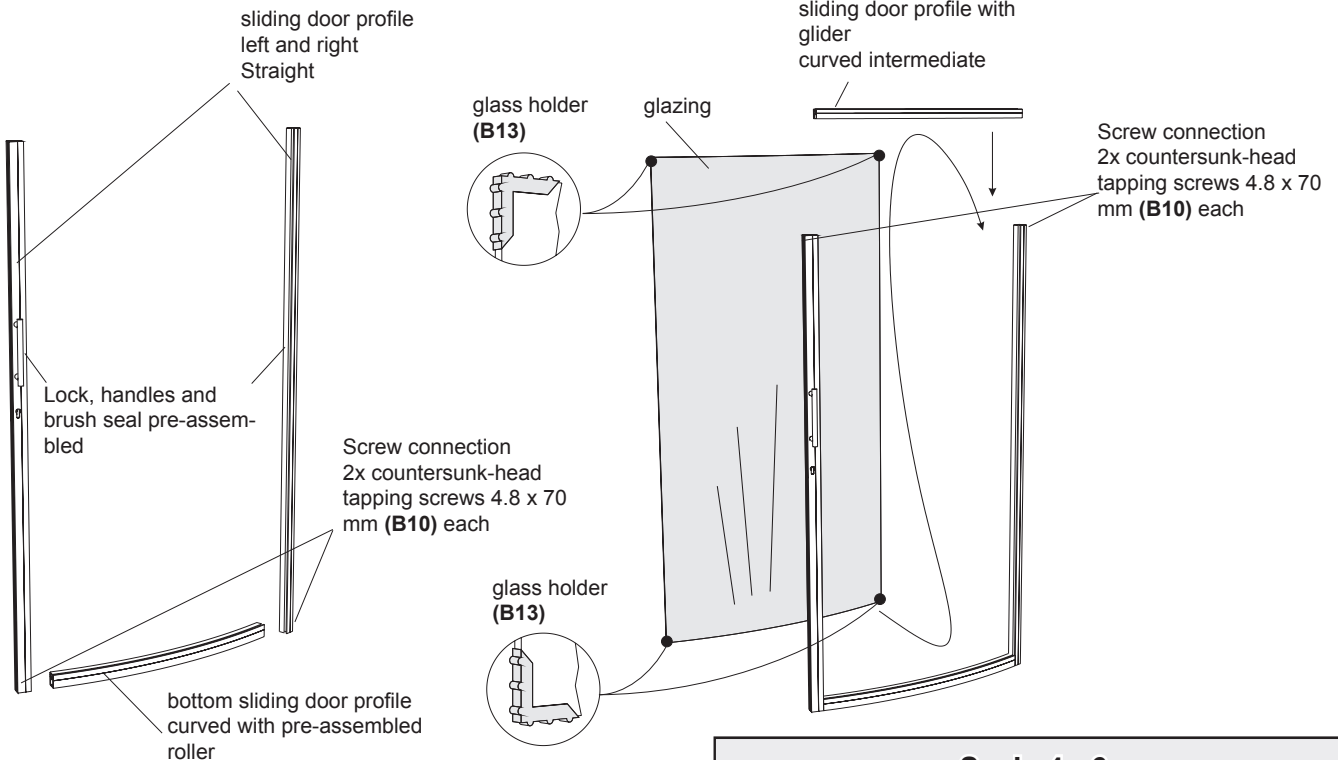
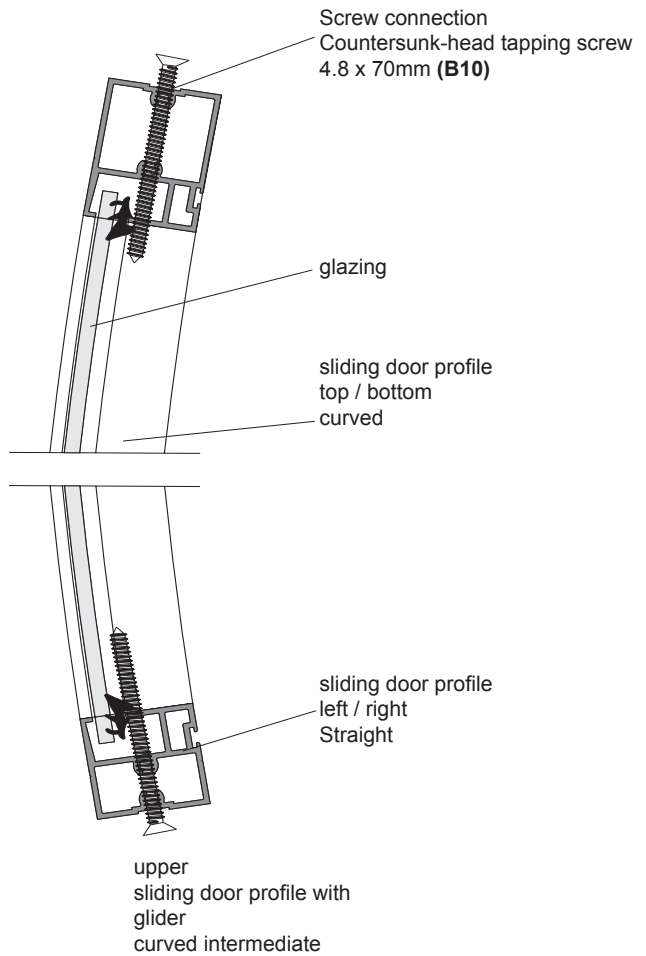
Important!
Compress all seals during fitting
as these contract when cold.

Sliding door pre-assembly

Sliding door vertical section



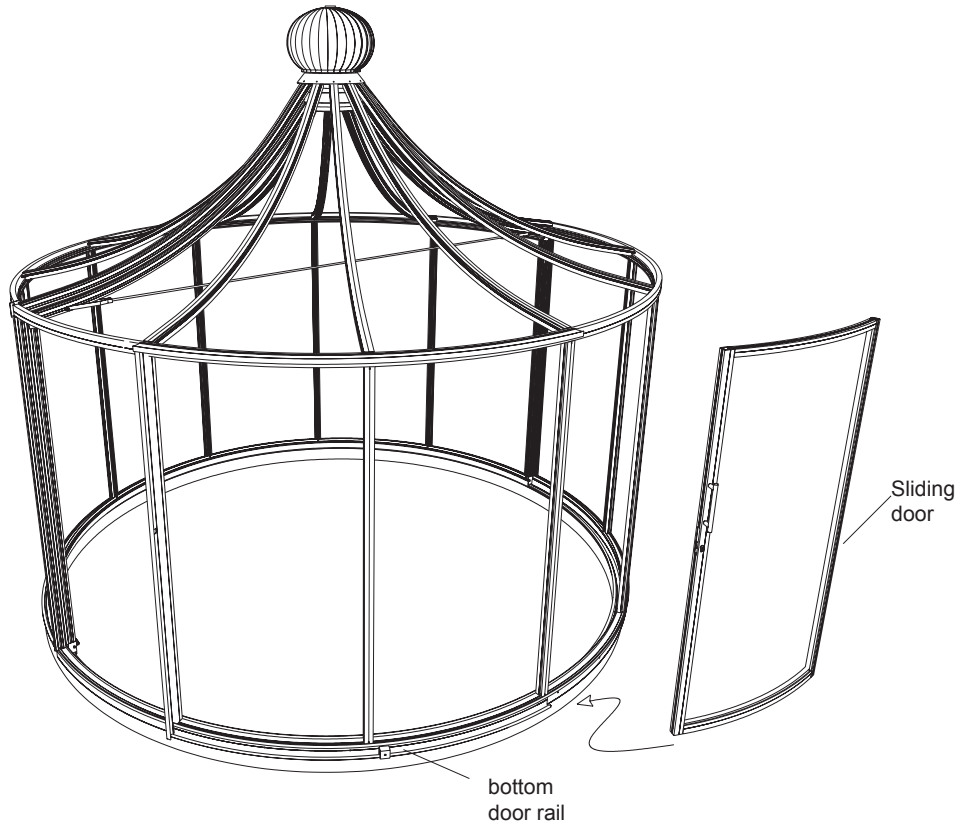
Sliding door horizontal section



Check the diagonal + width measure prior to pushing seals in.

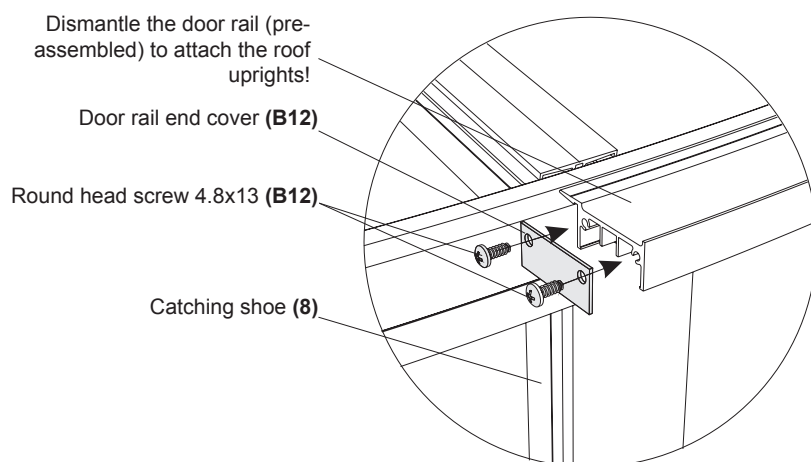
Seals 4 - 6mm:
 2 lg x 1980mm
 2 lg x 1010mm

Sliding door assembly

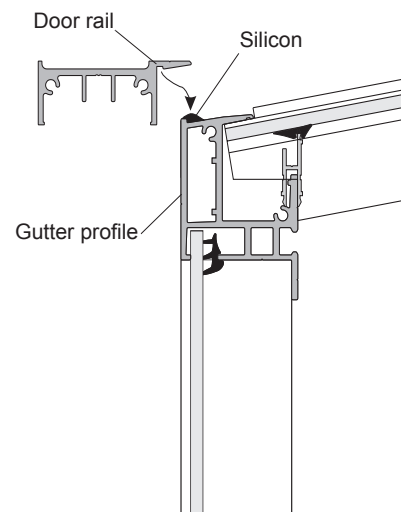


The door rails are already pre-assembled on the gutter and roller profile of the exterior element.

- Loosen doorstop screws.
- Slide the door sideways into the upper door rail with the plastic gliders. Set the bottom door profile on the door rails with the rollers. If the door slides with difficulty then the plastic gliders need to be reworked.
- Close the top door rail with the cover and round head screws 4.8 x 13mm.

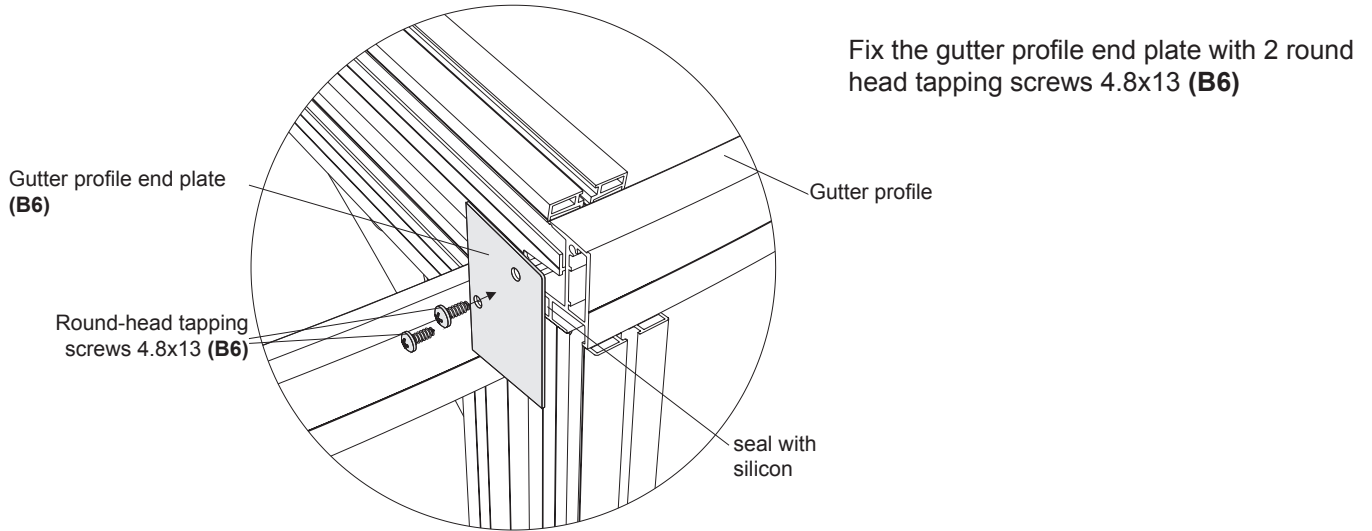


Seal the entire length of the connecting area of the door rail with silicon so that no water can enter under the rails

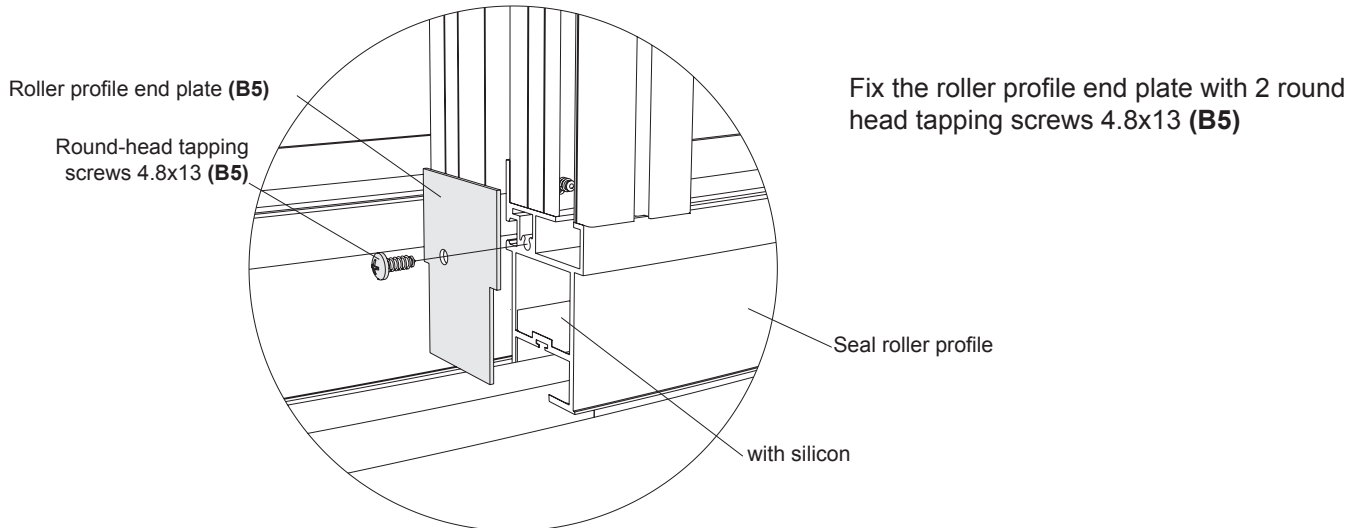


End plate assembly

Gutter profile end plate



Roller profile end plate



Seal points

Some points require sealing after assembly has been completed.

- All joints between the roof uprights and the gutter profiles must be sealed.

