

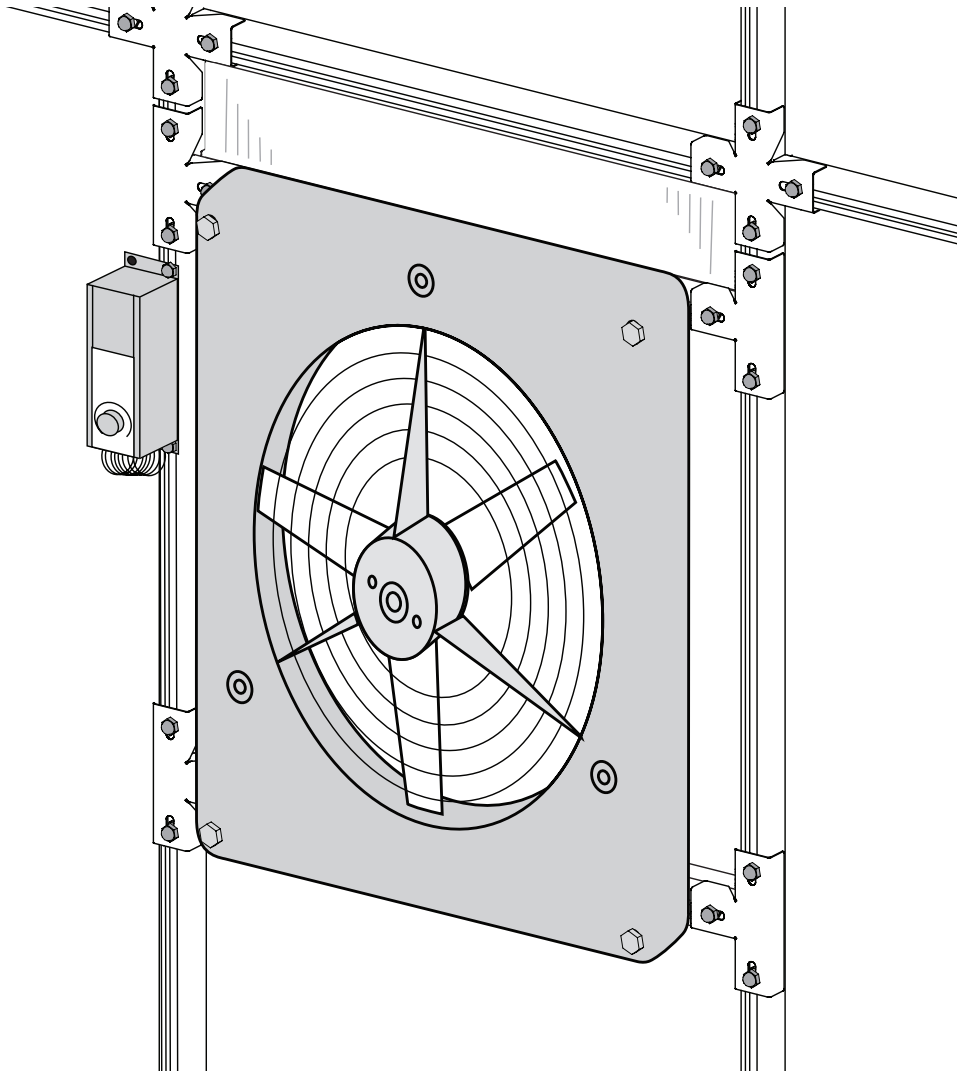


# Mojave Edition

Made in the USA

## Monticello Solar Ventilation System Assembly Instructions

041315V



Customer Service: (877) 373-3078 Email: [customerservice@rsiww.com](mailto:customerservice@rsiww.com)  
After Hours Helpline: (443) 574-4764

65 Fleetwood Drive, Rockaway, NJ 07866

## Thank you for choosing the Monticello Greenhouse Program

### Thank You for your Purchase

We want to thank you for your purchase of the Monticello Greenhouse. We appreciate your support of our American Made Greenhouses.

The Monticello is designed for the average homeowner; no special degrees are needed. The time to assemble depends on the weather, skills, options, and number of helpers you have in the process. All the pieces are cut to size and should fit snug, BUT if something is not working please reach out to our help lines so we can make sure that there are no delays in the process. We are not only employees of Riverstone but owners of Monticello Greenhouses and can help you through the process and hopefully keep the frustration levels down if a question comes up.

We would like to take a moment to remind you as the new owner of a Monticello Greenhouse a few things to increase the life of your greenhouse.

- Make sure that all your roof vents are closed and tied down with the included bungee balls during high winds. This would be a 25 mph gusting wind and up. This will help prevent air getting into the Monticello and causing damage.
- Like with the roof vents, make sure the dual doors stay closed during winds. The doors are spring loaded to stay closed but we also know that the greenhouse can get rather hot in the warmer months and doors do get propped open. Just make sure that they get closed.
- In cooler snow prone climates, Cut some 2 x 4 's and put them against the roof ridge and the floor to help add support from heavy snow and ice. This is just a precaution but could save a lot of aggravation down the road.
- It is also a good practice to clean the snow off the roof. A little snow is fine, but several inches only will tempt fate and it is best to be safe than sorry.
- The polycarbonate panels have channels in them. These are designed to help insulate and in moist environments, like after a rainstorm, you might find water droplets in these channels. It will not cause any harm and will burn itself off when the air starts to heat up.
- In some cases where there is a lot of rainfall, like the Pacific North West, we recommend using clear silicon caulking between the polycarbonate panels and the trim plates before the trim plates are put on. This is just to assure that the Monticello stays as dry as possible. Just give a call if you need some more help with this.

Lastly, we are not perfect. We know that there are better ways to do things, we just need some suggestions from our customer base as to what they are. Needless to say we are always open to feedback, good and bad, and we do react to feedback. Please, if there is an option you do not see that you feel would make the greenhouse experience better, if there is a different way to explain a set-up process, or if there is anything else to help make Monticello better we want to hear from you.

Thank you again for your purchase and we hope you have many years of growing in your new Monticello Greenhouse.

*David Schnurman*

Vice President

# List of Parts



**WARNING:** Profiles with cut edges and/or drilled holes are sharp. Use extreme caution when handling.



The greenhouse is shipped in multiple cartons. These cartons are heavy. Use care when lifting them.

Some parts have sharp edges. Use extreme caution when handling.

Wear proper safety gear including work shoes, gloves and safety goggles.

Keep children and pets away until assembly is complete.

Finish assembling the roof in one session. Do not leave the roof unattended until it is completely assembled.

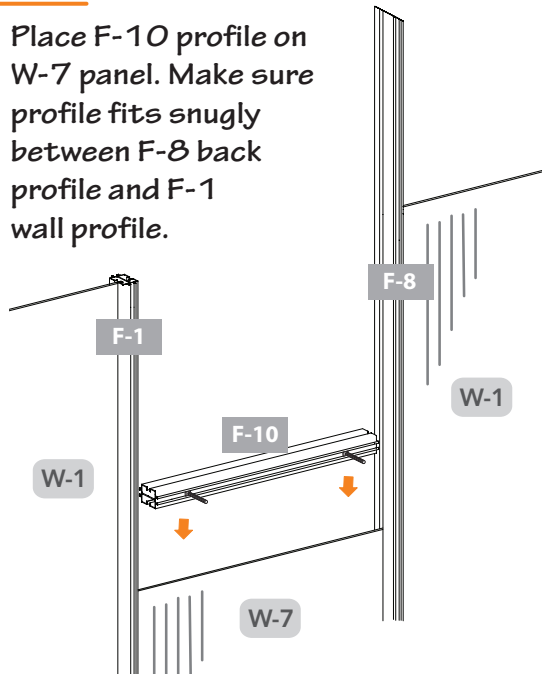
Place all like parts together in a staging area. Prepare for each step according to instructions in this manual.

If any parts are missing or damaged, before beginning assembly contact Riverstone Customer Service at (877) 373-3078, email: [customerservice@rsiww.com](mailto:customerservice@rsiww.com) or After Hours Helpline: (443) 574-4764

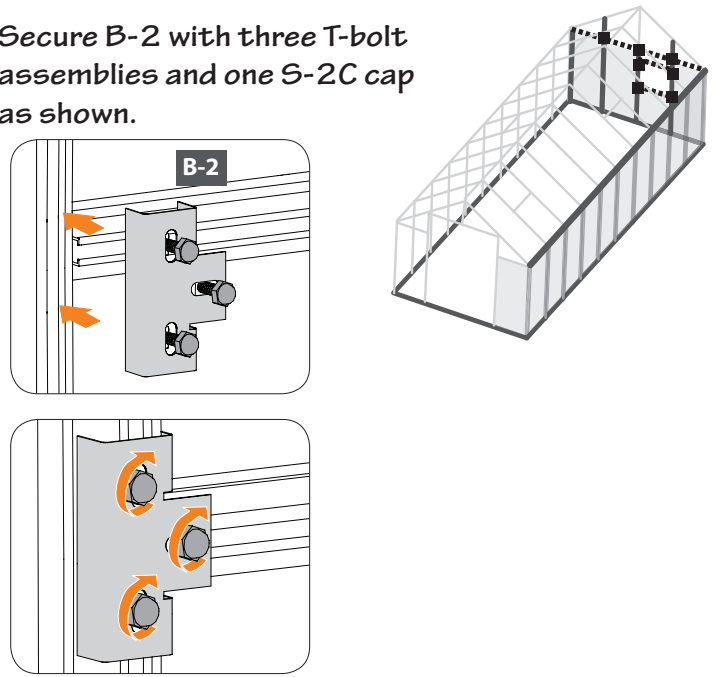
Profile	QTY	
	F-10	2
	W-7	1
	W-9	1
Connectors	QTY	
	B-2	4
Hardware	QTY	
	S-2C	26
	S-2D	16
	S-5B	4
	S-5D	8
	S-7	26
	S-11	12

Fan Parts	QTY	
	H-1	2
	H-2	2
	H-3	2
	H-4	2
	H-5	4
	H-6	1
	H-7	1
	H-8	1
	H-9	1
	H-10	10'
	H-11	8'

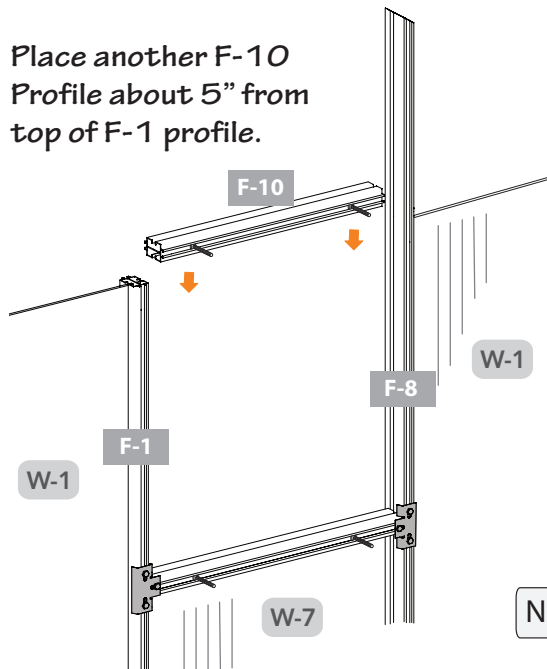
**1.1A** Place F-10 profile on W-7 panel. Make sure profile fits snugly between F-8 back profile and F-1 wall profile.



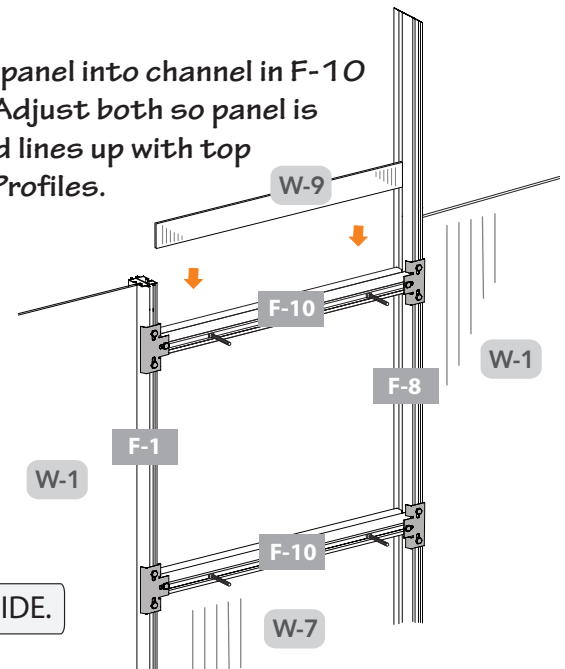
**1.1B** Secure B-2 with three T-bolt assemblies and one S-2C cap as shown.



**1.1C** Place another F-10 Profile about 5" from top of F-1 profile.

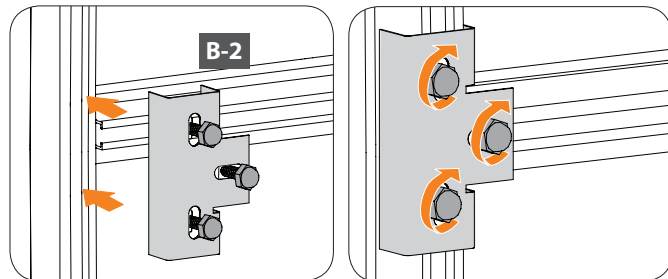


**1.1D** Fit W-9 panel into channel in F-10 profile. Adjust both so panel is snug and lines up with top of W-1 Profiles.

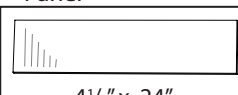
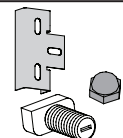




NOTE: VIEWS FROM INSIDE.

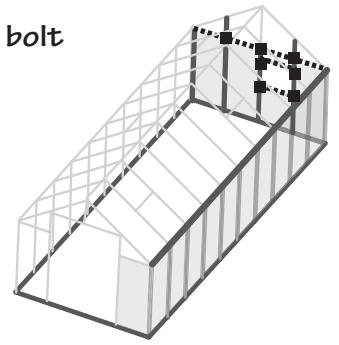
**1.1E** Secure B-2 with three T-bolt assemblies and one S-2C cap as shown.



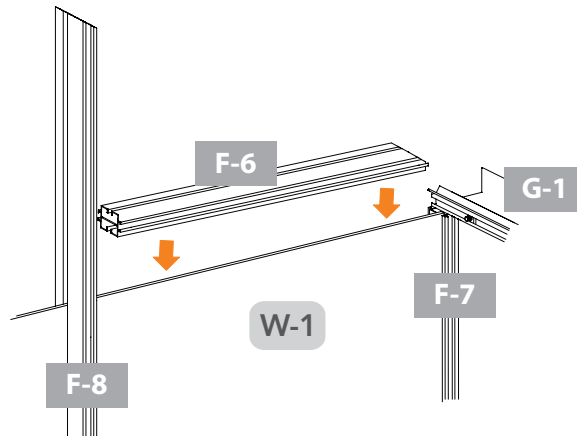
**1.1F** Working from outside, repeat steps 3.4B and 3.4E to install B-2 connectors on F-1 profiles.

Panel		Connectors		QTY
	W-9		B-2	4
4 1/2" x 24"	1		S-2C	16
			S-7	4

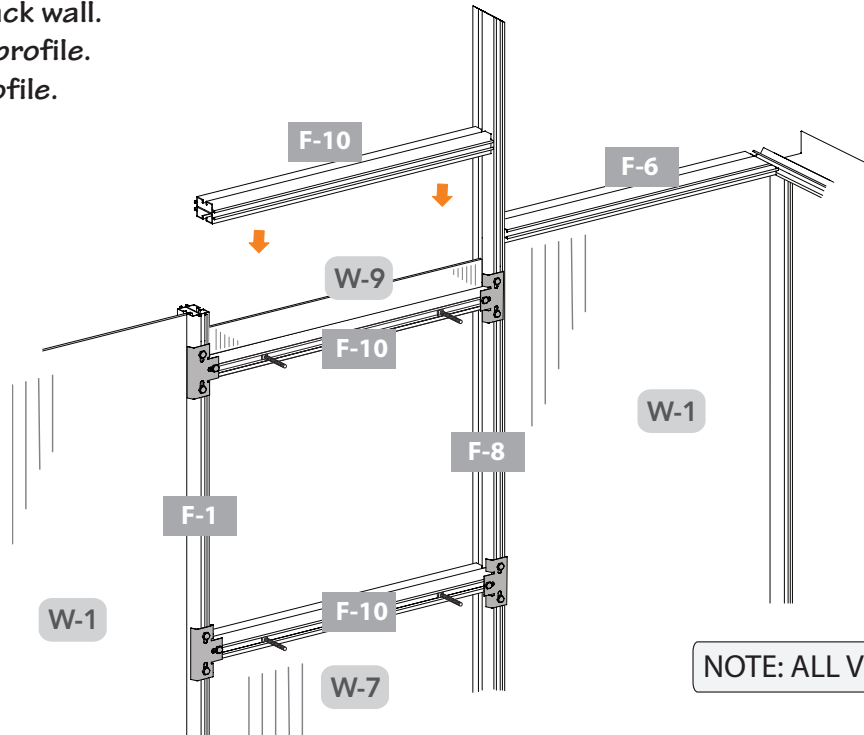
The two sets of F-6 and F-10 profiles fit on top of W-1 panels. Line up bottom bolt channels with top edge of F-1 and F-7 vertical profiles. Profiles will fit snugly.



- 1.2A** Working from inside right corner, place F-6 profile with mitered end next to corner and angled edge facing up onto corner W-1 panel. F-6 profile fits snugly between F-7 corner profile and F-8 back profile.



- 1.2B** Continue along back wall. Place first F-10 profile. Align with F-6 profile.



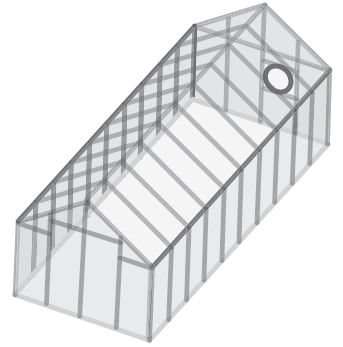
NOTE: ALL VIEWS FROM INSIDE.

Profile	QTY
	F-6 2
	F-10 2

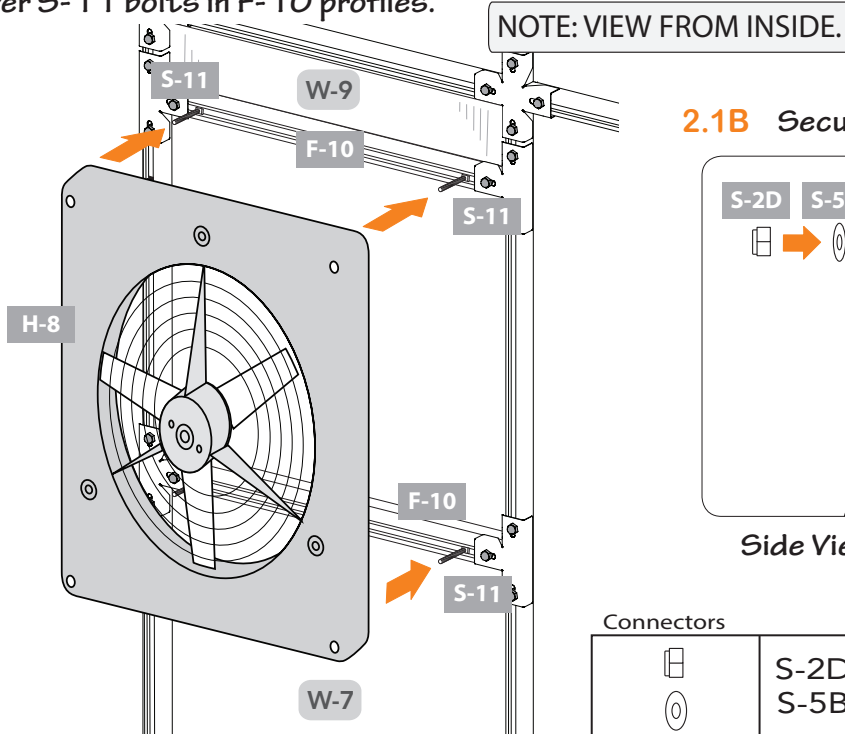
# Install Fan and Solar Panel



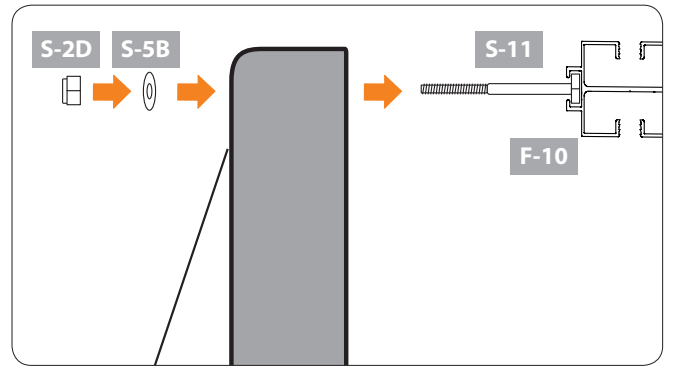
Make certain the pieces are in the correct positions before securing. Carefully follow the order of assembly to ensure an easy installation. Wear proper safety gear including work shoes, gloves and goggles.



**2.1A** Working from inside, fit H-8 fan over S-11 bolts in F-10 profiles.



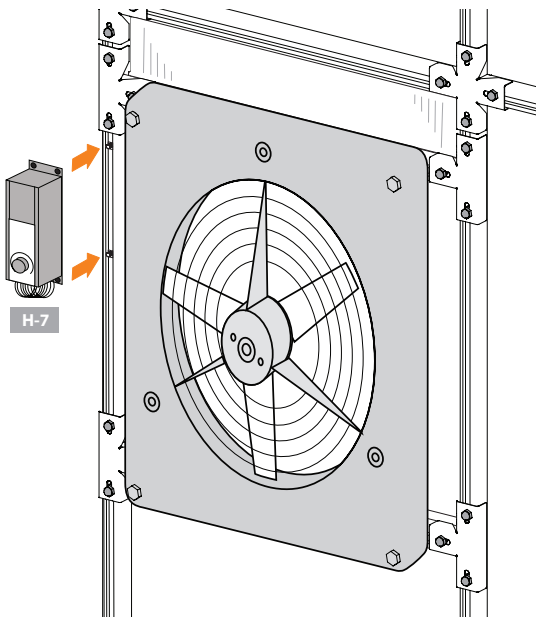
**2.1B** Secure with S-2D nut and S-5B washer.



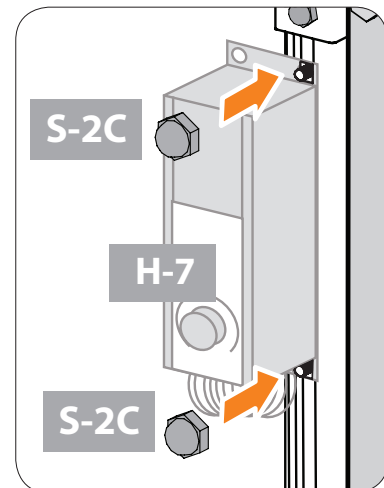
Side View

Connectors		QTY	Fan	H-8	QTY
	S-2D	4		H-8	1
	S-5B	4			

**2.2A** Working from inside install two T-bolts into track, lock into place. Fit H-7 thermostat on T-bolts.



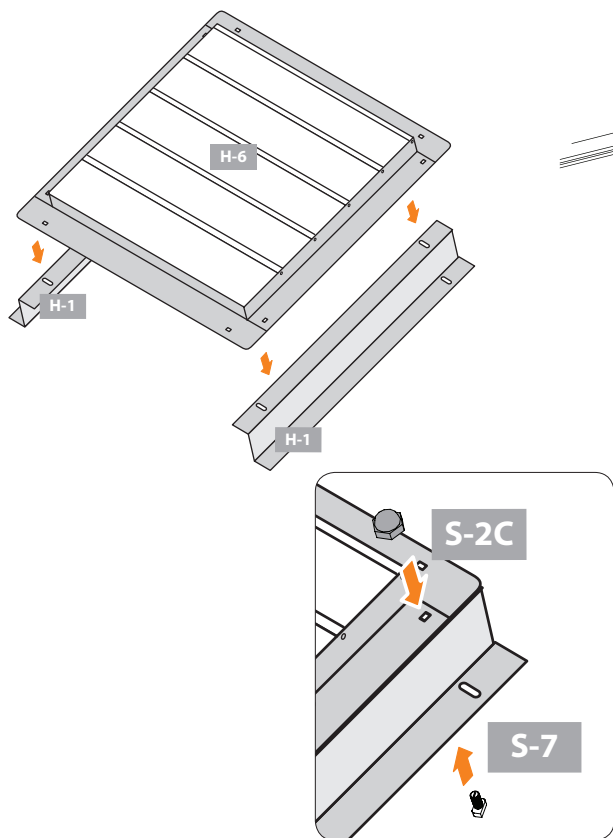
**2.2B** Secure with S-2C caps.



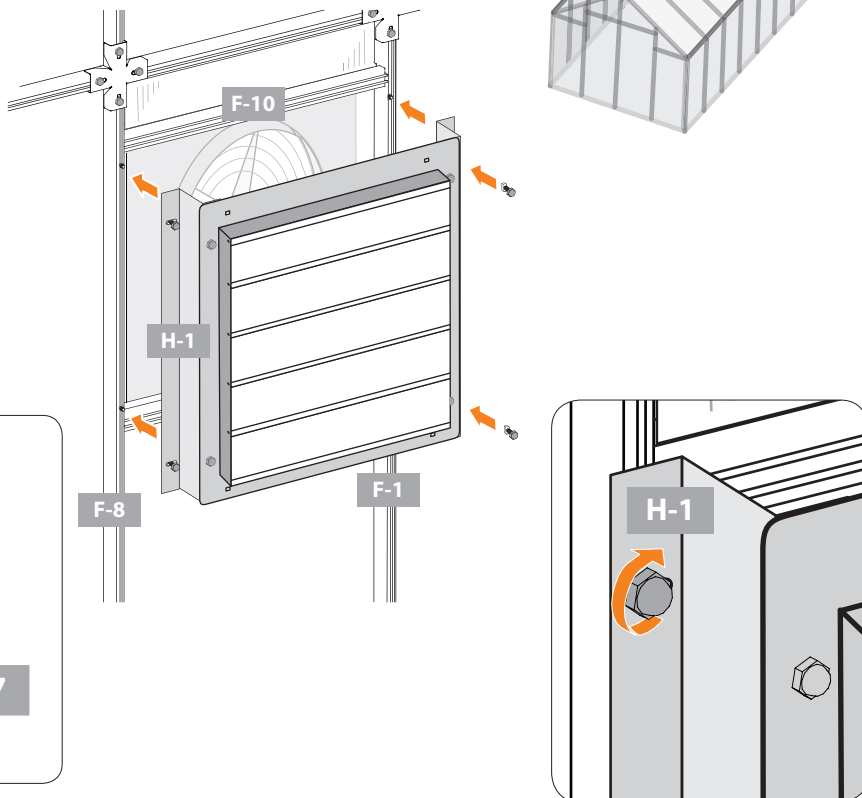
NOTE: VIEWS FROM INSIDE.

Connectors		QTY	Thermostat	H-7	QTY
	S-7	2		H-7	1
	S-2C	2			

**2.3A** Working on the ground, line up holes in H-1 brackets with holes in H-6 shutter. Secure with S-7 bolts and S-2 caps.

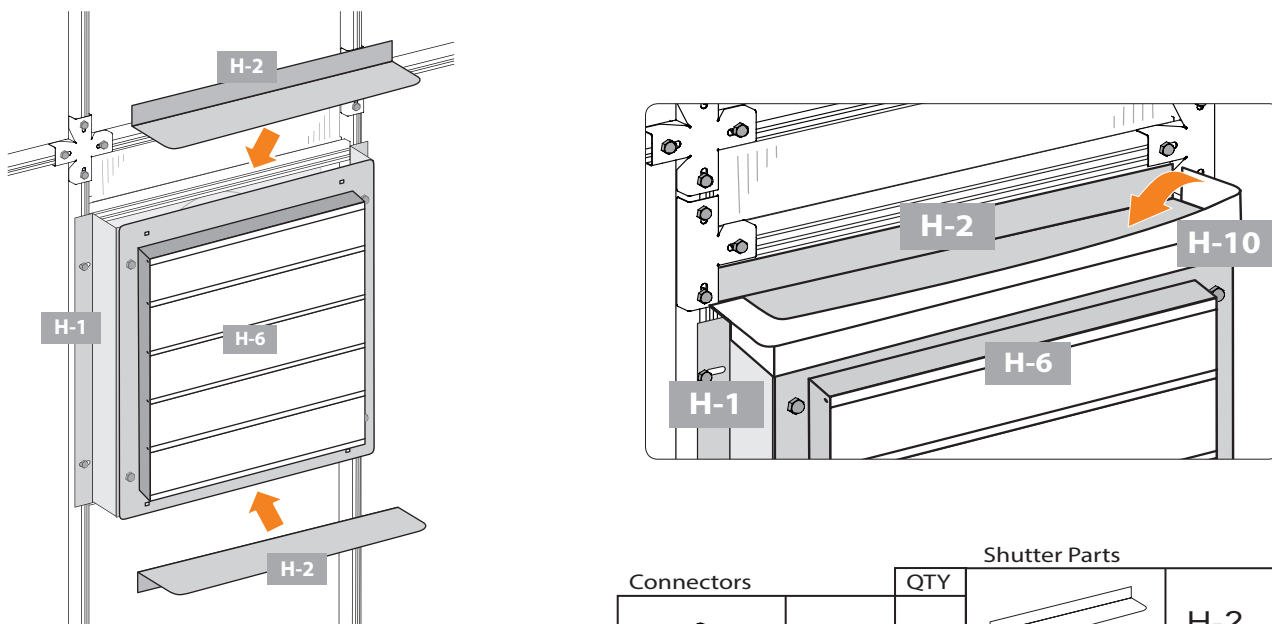


**2.3B** Working from outside insert four T-bolt assemblies into slots on H-1 brackets. Secure to F-8 and F-1 profiles as shown.



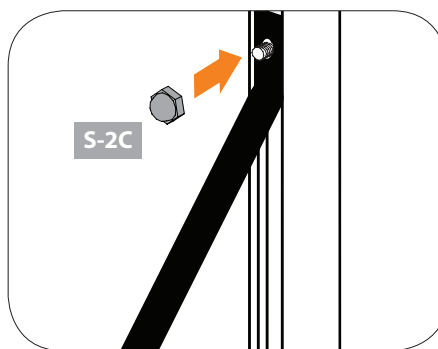
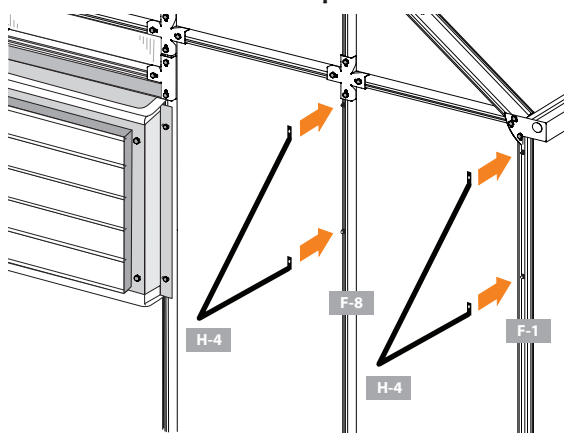
**2.3C** Place H-2 Profile on top of shutter. Smooth aluminium tape along edges at top and sides. Repeat to install H-2 on bottom.

NOTE: VIEWS FROM OUTSIDE.

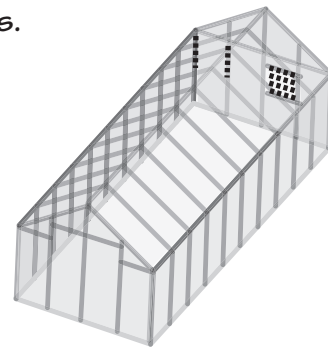


Shutter		QTY	Tape		QTY	Connectors			Shutter Parts		QTY
	H-6	1		H-10	10'		S-7	8		H-2	2
							S-2C	8		H-1	2

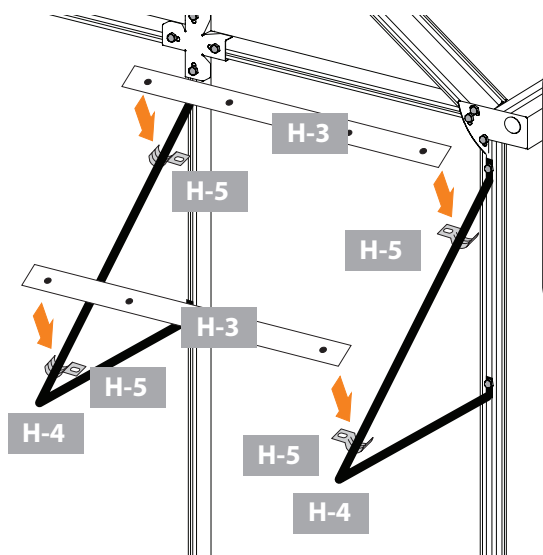
**2.4A** Working from outside, fit H-4 brackets onto T-bolts on F-8 and F-1 profiles. Secure with S-2C caps.



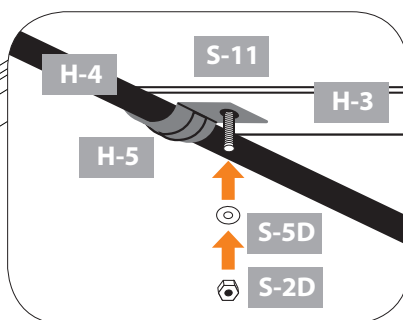
NOTE: VIEWS FROM OUTSIDE.



**2.4B** Place H-3 profile on H-4 brackets. Fit H-5 connector underneath and secure with S-11 bolts, S-5D washers and S-2D nuts as shown.

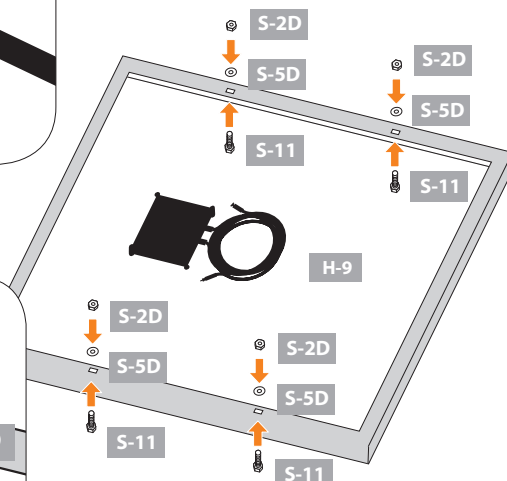


NOTE: VIEWS FROM OUTSIDE.



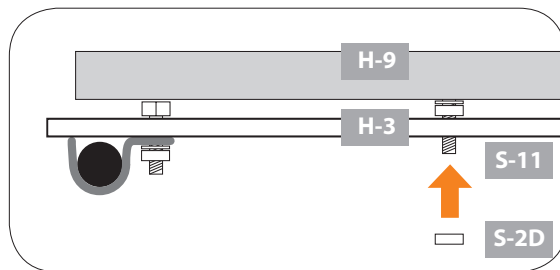
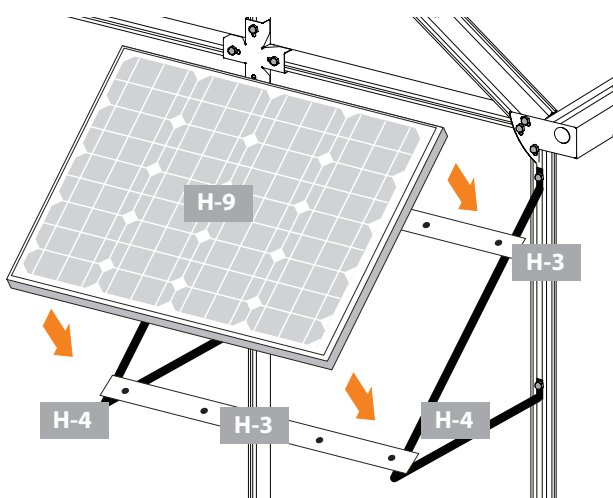
View from bottom

**2.4C** Install 4 S-5A connectors on to H-9, 2 at the top and 2 at the bottom.




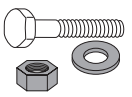
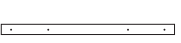






Bottom View

**2.4D** Install H-9 solar panel on H-3 profiles and secure with S-2D nut.

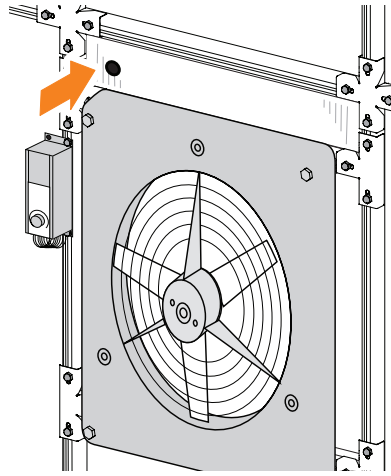


Side View From Top

Connectors		QTY	Solar Panel		QTY	Solar Panel Parts		QTY	Connectors		QTY
	H-5	4		H-9	1		H-4	2		S-11	8
							H-3	2		S-5D	8
										S-2D	12
										S-7	4
										S-2C	4

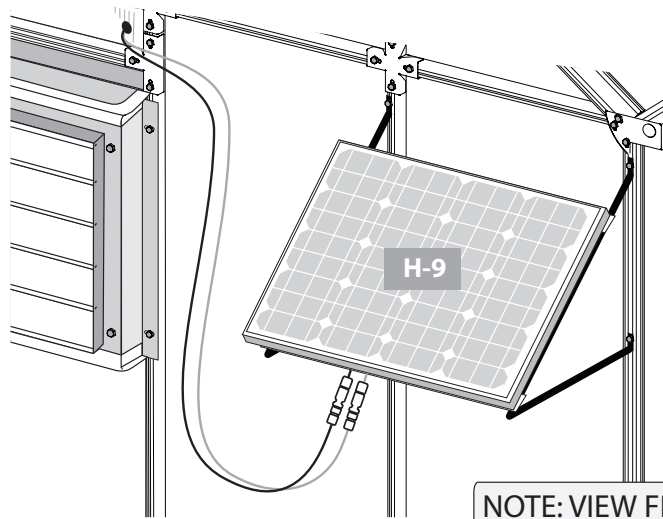


**2.5A** Working from inside.  
Drill hole through polycarbonate.



NOTE: VIEW FROM INSIDE.

**2.5B** Connect wires to Solar Panel.  
Push the wires to the inside of the greenhouse (leaving enough wire on the outside to connect).



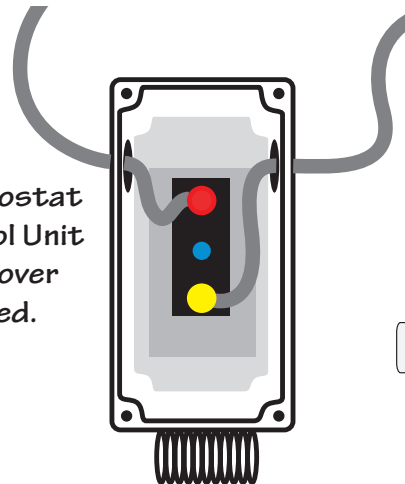
NOTE: VIEW FROM OUTSIDE.

**2.5C** Measure over to the thermostat with the wire. You will need to cut the positive wire. Look at the solar panel connectors to determine the positive wire. You will hook the positive wire coming in from the solar panel to the top lug of the thermostat. The other wire will be attached to the bottom lug. (NOTE you are only breaking one leg of the circuit).


This wire to Solar Panel.

This wire to Fan.

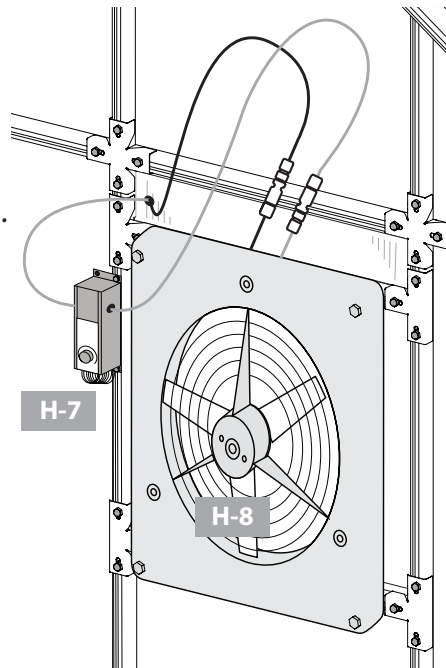
Thermostat Control Unit with Cover removed.



NOTE: VIEW FROM INSIDE.

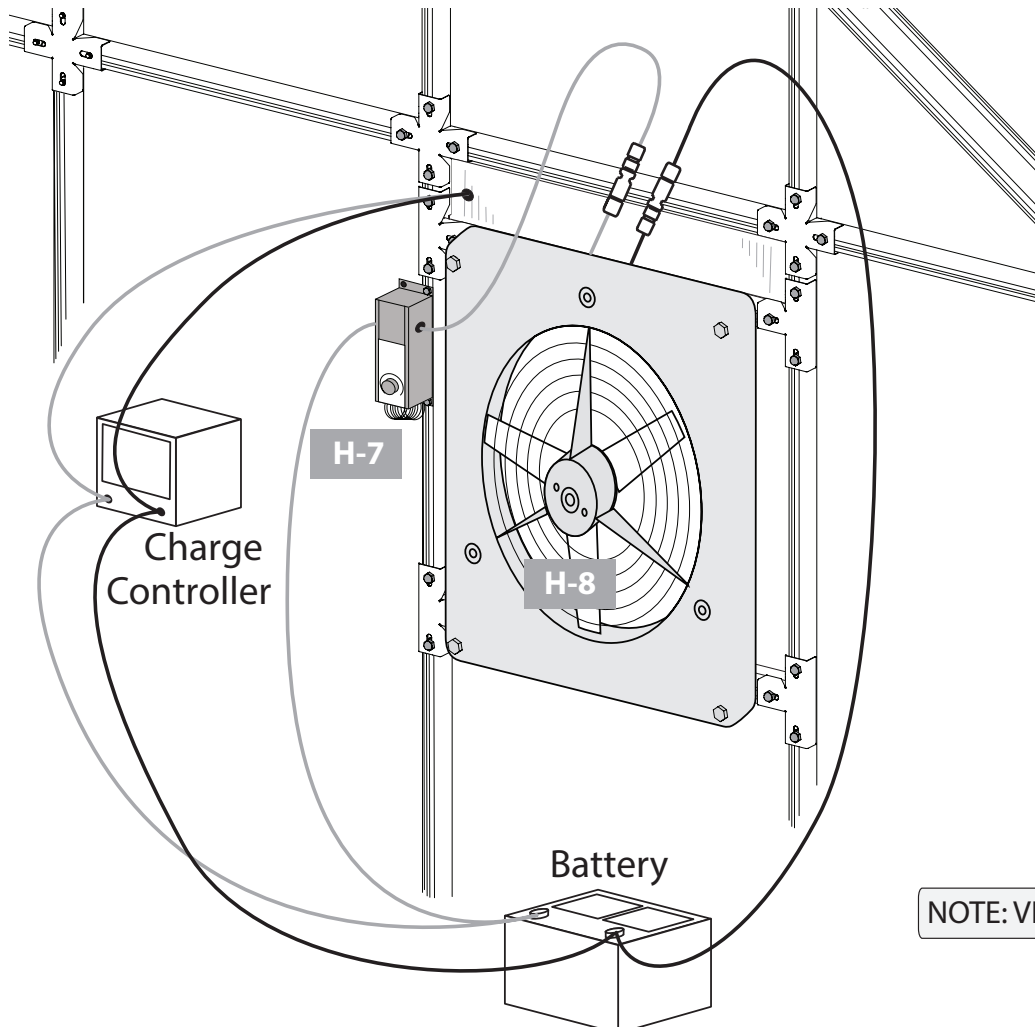
Wire	QTY
 H-11	16'

**2.5D** Continue the wire over to the fan and attach to the wires of the fan with the two wire nuts provided. If it runs backwards reverse wires.



NOTE: VIEW FROM INSIDE.

**2.5E** OPTIONAL CHARGE CONTROLLER AND BATTERY: For accurate wiring using charge controller and battery, refer to the wiring diagram provided with the charge controller.



NOTE: VIEW FROM INSIDE.