

# KATHEDRAL



Version 2020\_2  
07.01.21

## MOUNTING INSTRUCTIONS

---

# PRODUCT INFORMATION

Dear customer

Thank you for buying a high-quality aluminium greenhouse.

## REMARKS

This manual is intended to be a guidance, showing all kind of standard-solutions that can be useful during mounting. Unlike the other models in our range, this type of house is NOT designed to be a build-it-yourself-kit, it has to be mounted by experienced builders who are familiar with these products and their assembly!

This greenhouse is designed for cultivation of plants/flowers. Therefore leakage, water drops and condensation inside the building are allowed. The building may only be entered by competent persons during cultivation or maintenance. Aluminium profiles that are not painted may show black stains, these stains are not a production error: they can be easily removed with a aluminium cleaner available at every good drugstore. The rubber strips have been treated with oil/silicone on the interior to facilitate the assembly. The building should be mounted on a solid concrete foundation deep enough to get a solid and frost-free ground. During winter the roof has to be cleared of snow or supported in a suitable way. The greenhouse should be built in a location protected from strong winds. Protective gear (such as protective gloves) should be used during mounting in order to avoid injuries. One should at all times pay attention to the local building regulations.

## ASSEMBLY ORDER

The assembly procedure is the same for all our greenhouses.

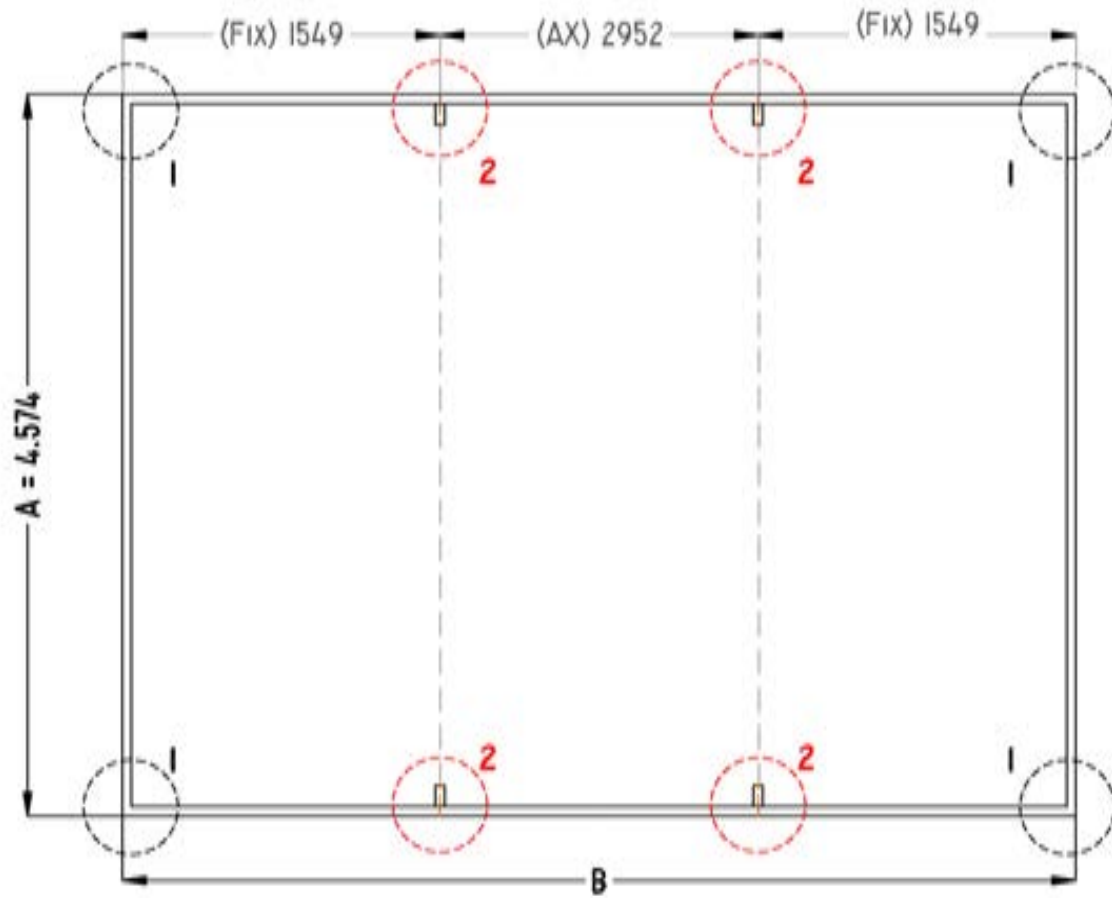
- Sorting of the profiles according the model.
- Mounting of the complete aluminium construction.
- Leveling of the construction using a waterlevel.
- Securing the building to the ground
- Glazing.

## REQUIRED TOOLS

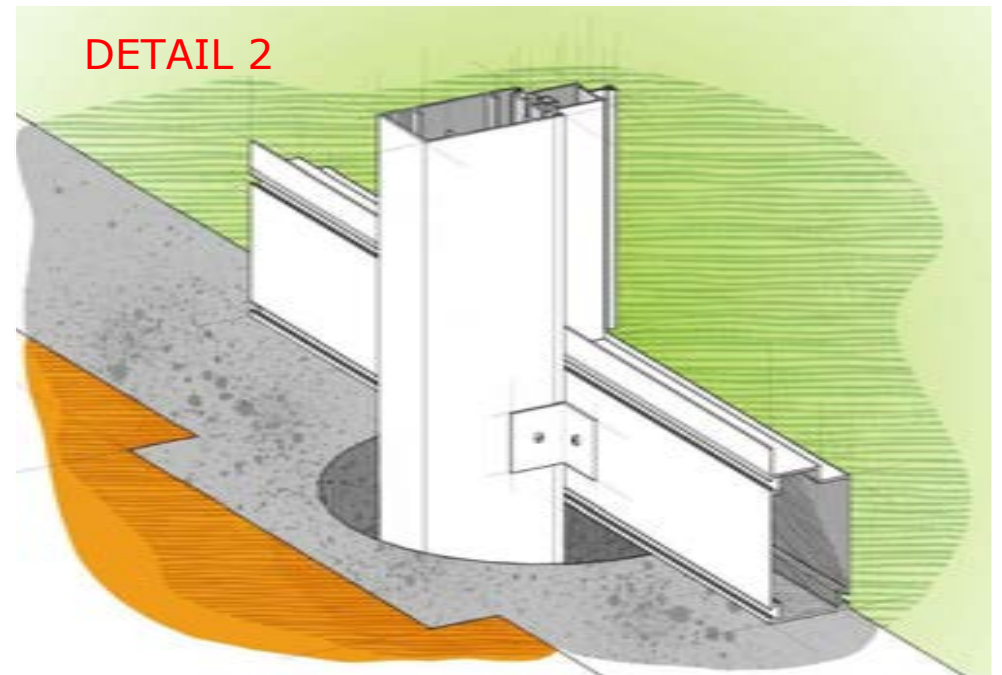
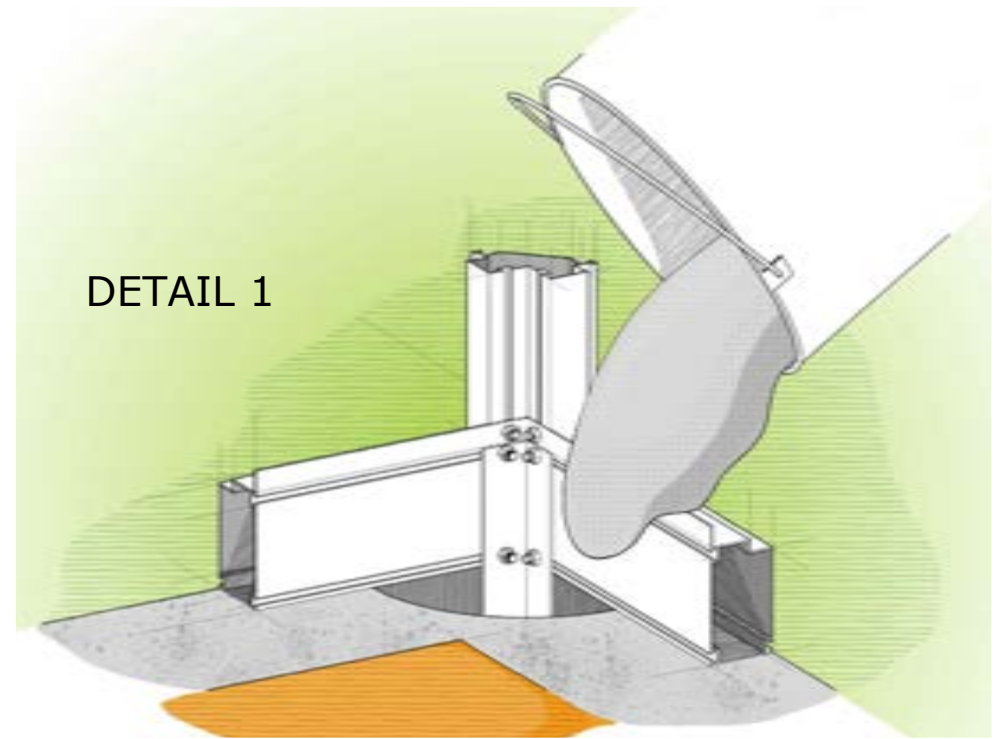
Socket wrench nr. 10 or spanner nr. 10, water-level, screwdriver, drilling machine + drill 4.2 mm, scissors (to cut the rubber).

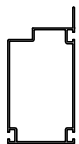


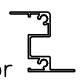
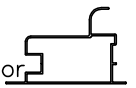
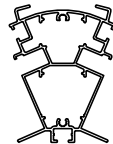
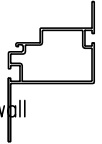


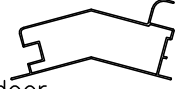
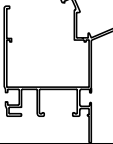

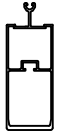


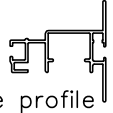

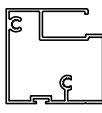
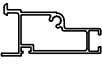

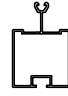
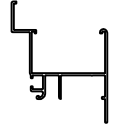


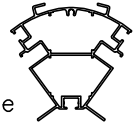
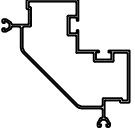

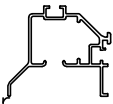

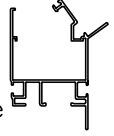
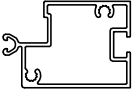
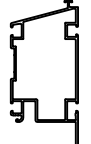



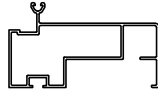
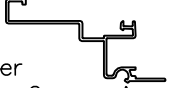
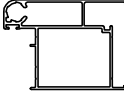


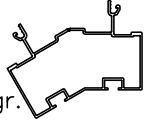
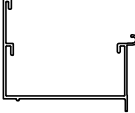
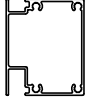


*We reserve the right to change the construction without prior notice!*

# " KATHEDRAL "

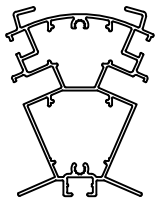


A	X	B
4574		6050
		6788
		7526
		8264
		9002
		9740
		10478
		11216
		11954

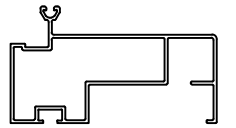


<p><b>PRO6120</b> Fundering Foundation profile</p> 	<p><b>PRO1454</b> Tussenregel Hor.gable prof. Orangerie</p> 	<p><b>PRO1449</b> Glaslat var.hoek Variable glazing bar</p> 	<p><b>PRO42142</b> Aanslag draaideur Siding turning door</p> 	<p><b>PRO6964</b> Stolp dub.d deur Middel.dub.turn.door</p> 
<p><b>PRO6760</b> Nok Helios Ridge profile</p> 	<p><b>PRO37358</b> Fundering op muurtjes Special bottomprofile on wall</p> 	<p><b>PRO1450</b> Scharnier var.hoek Hinge variable glazing bar</p> 	<p><b>PRO7615</b> Scharnier dakraam Topprofile roofwindow</p> 	<p><b>PRO6965</b> Stolp dub.d deur Middel.dub.turn.door</p> 
<p><b>PRO20227</b> Goot Helios Gutter Helios</p> 	<p><b>PRO42786</b> Muurnok Arcadia Ridge Arcadia</p> 	<p><b>PRO33325</b> Daklat Arcadia Roofbar Arcadia</p> 	<p><b>PRO7609</b> Zijkant dakraam Sideprofile roofwindow</p> 	<p><b>YSER</b> Versterking serres Reinforcement profile</p> 
<p><b>PRO20229</b> Tussenregel Horizontal gable profile</p> 	<p><b>PRO33329</b> Scharnier nok Hinge ridge Arcadia</p> 	<p><b>PRO6951</b> Vert.schuifdeur Vert.sliding door</p> 	<p><b>PRO7610</b> Onderkant dakraam Bottom roofwindow</p> 	<p><b>PRO37359</b> Schap/zaaibak gordijnkast</p> 
<p><b>PRO1456</b> Glaslat Glazing bar</p> 	<p><b>PRO33328</b> Goot Arcadia Gutter Arcadia</p> 	<p><b>PRO6121</b> Deurkader hor. Horizontal prof.sliding door</p> 	<p><b>PRO25827</b> Kader schuifraam Kader schuifraam</p> 	<p><b>PRO40091</b> Nok Helios Antique Ridge Helios Antique</p> 
<p><b>PRO6578</b> Hoekstijl Corner profile</p> 	<p><b>PRO33327</b> Gootscharnier Arcadia Gutter-hinge Arcadia</p> 	<p><b>PRO7876</b> Deurgeleider Guide sliding door</p> 	<p><b>PRO1455</b> Geleider schuifraam Guiding sliding window</p> 	<p><b>PRO20779</b> Goot Helios Antique Gutter Helios Antique</p> 
<p><b>PRO29909</b> Deurstijl Doorpost</p> 	<p><b>GDO</b> Gootdrager Roofbeam Orangerie</p> 	<p><b>PRO39796</b> Geleider schuifdeur Bottom guide slinding door</p> 	<p><b>PRO20780</b> Glashouder Glas-secure profile</p> 	<p><b>PRO1748</b> Rubber serres Rubber greenhouses</p> 
<p><b>PRO6918</b> Eindlat dak Endbar roof</p> 	<p><b>GSO</b> Gootscharnier Hinge gutter Orangerie</p> 	<p><b>PRO6954</b> Deurkader zijkant Doorframe side</p> 	<p><b>PRO29973</b> Prof. schermdoek Screening profile</p> 	<p><b>PRO2290</b> Zware rubber PPL Heavy duty rubber</p> 
<p><b>PRO7926</b> Hoek 150gr. Corner prof. 150gr.</p> 	<p><b>GTO</b> Goot Orangerie Gutter Orangerie</p> 	<p><b>PRO6953</b> Hor.draaideur Hor.turning door</p> 	<p><b>TRE</b> Trekker-windverband Side bracings</p> 	<p><b>PRO5538</b> Halve rubber Helios Half-rubber Helios</p> 

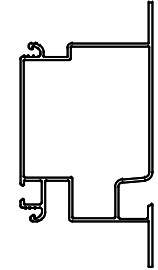




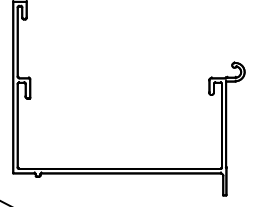
PRO6760



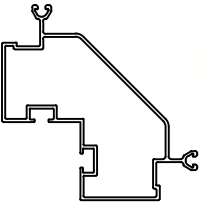
PRO6918



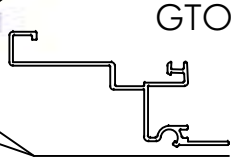
PRO1454



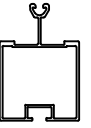
GTO



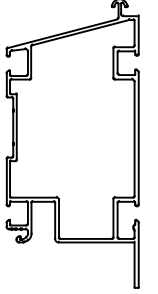
PRO6578



GSO

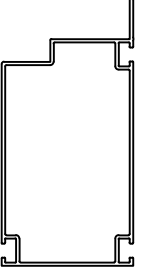


PRO1456

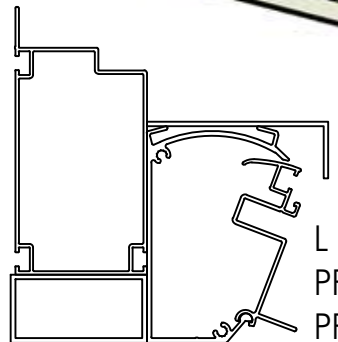


GDO

TRE

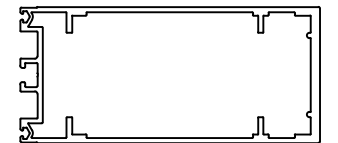


PRO6120

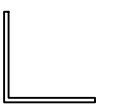


PRO6120  
K30X60

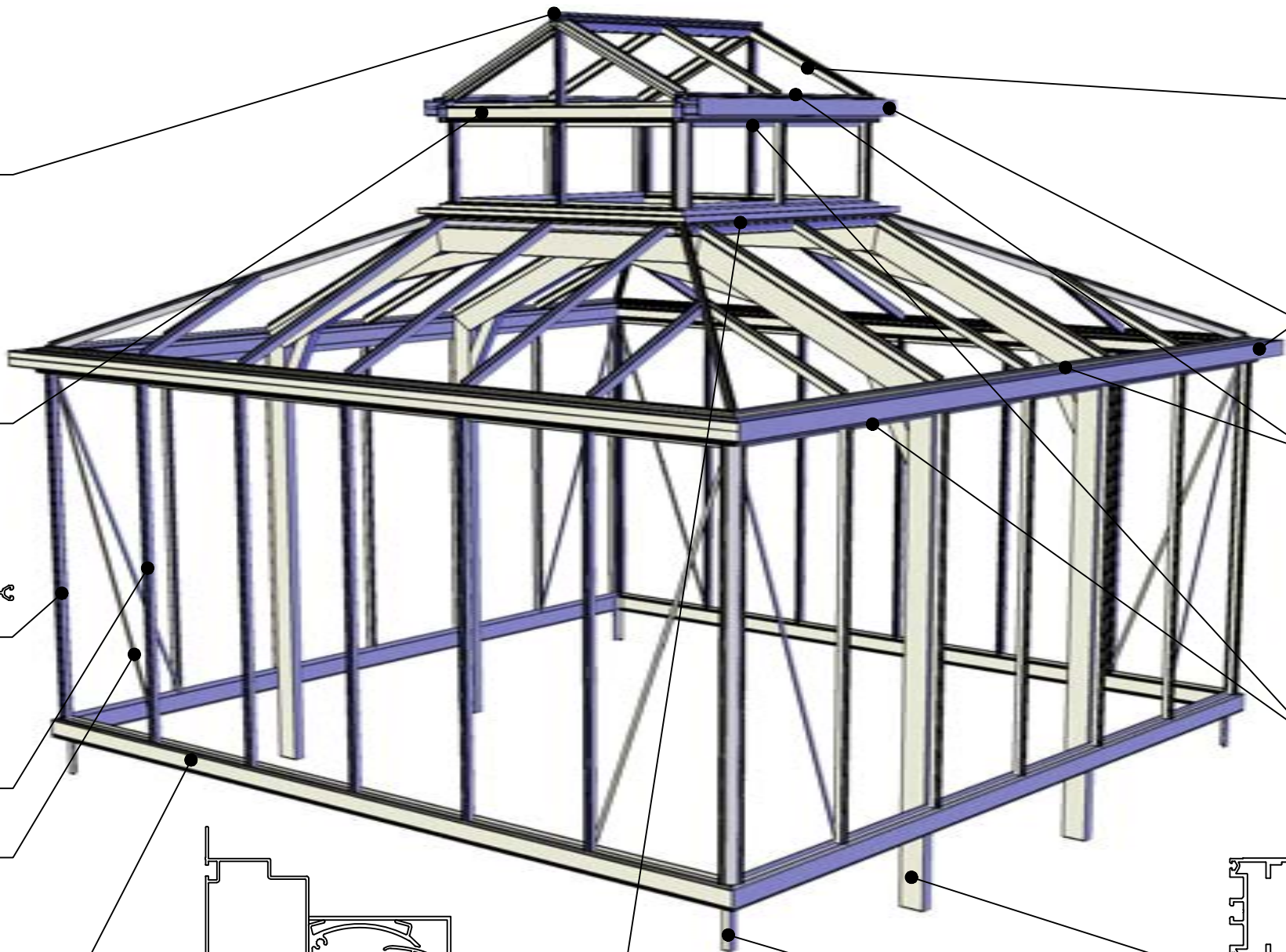
L 80X25  
PRO4278  
PRO33329



D132

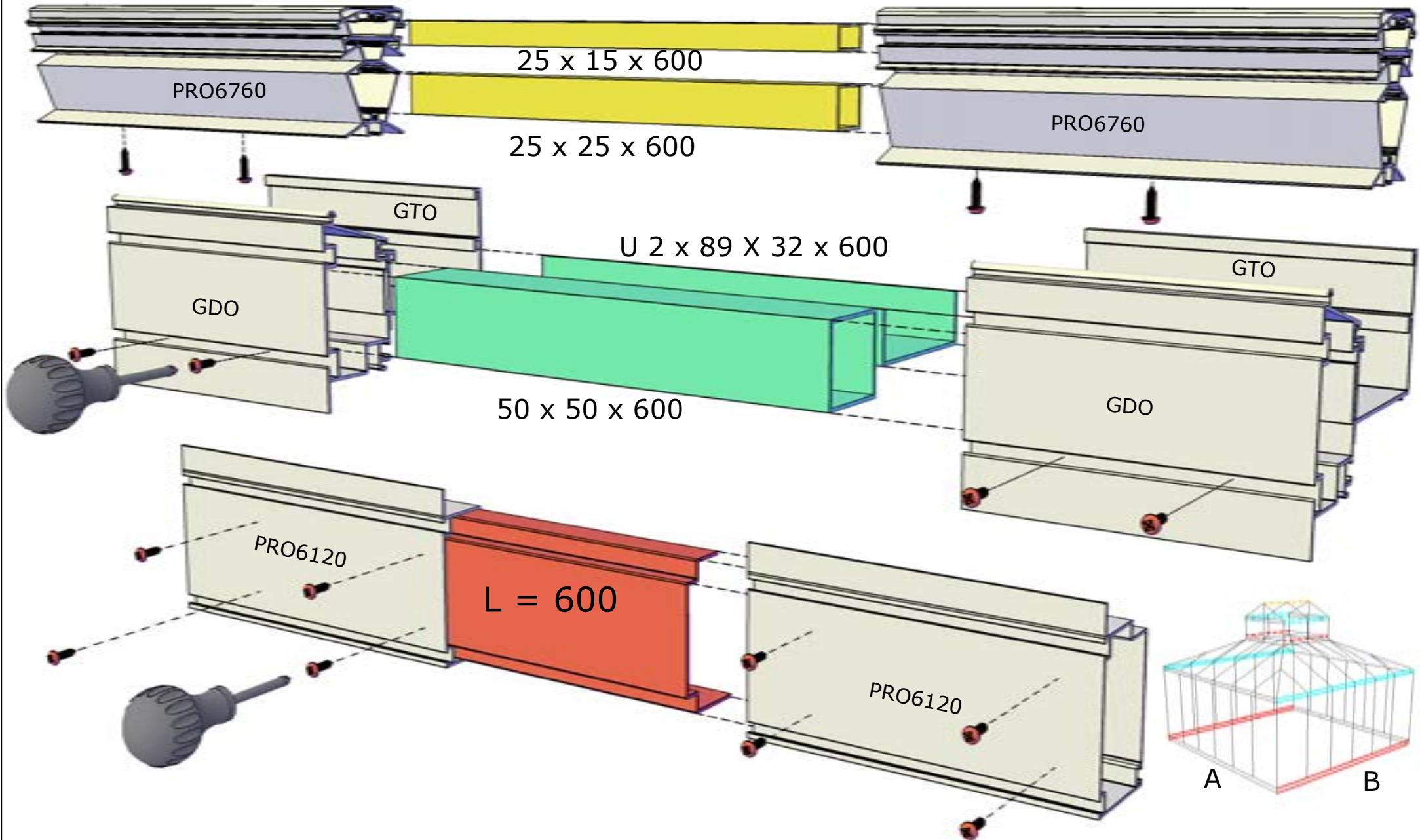


PRO210



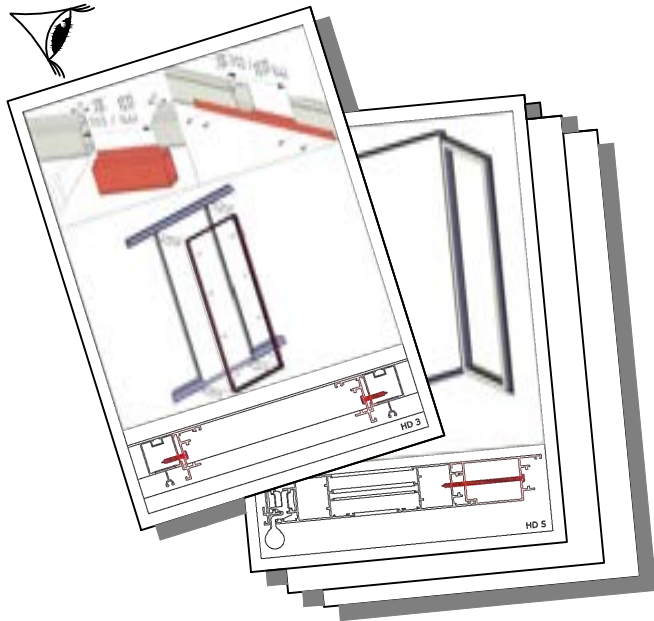
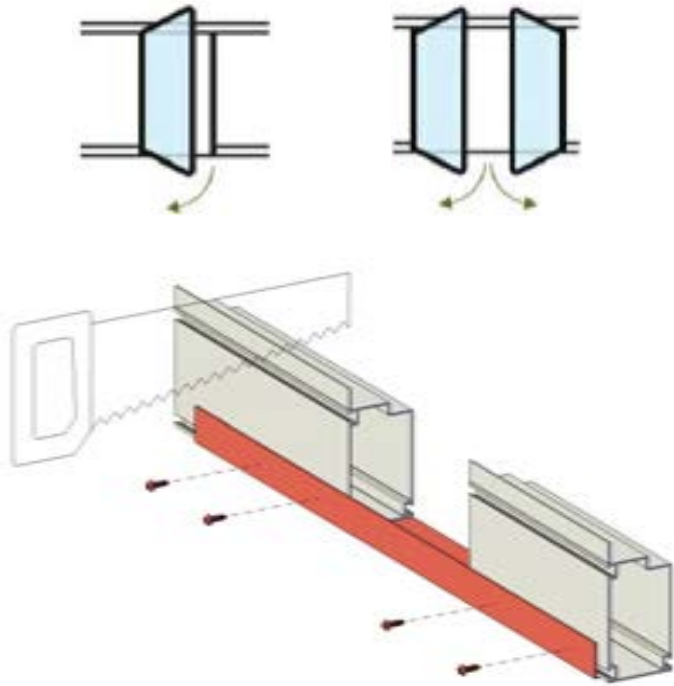


**B = LENGTH > 6m10**

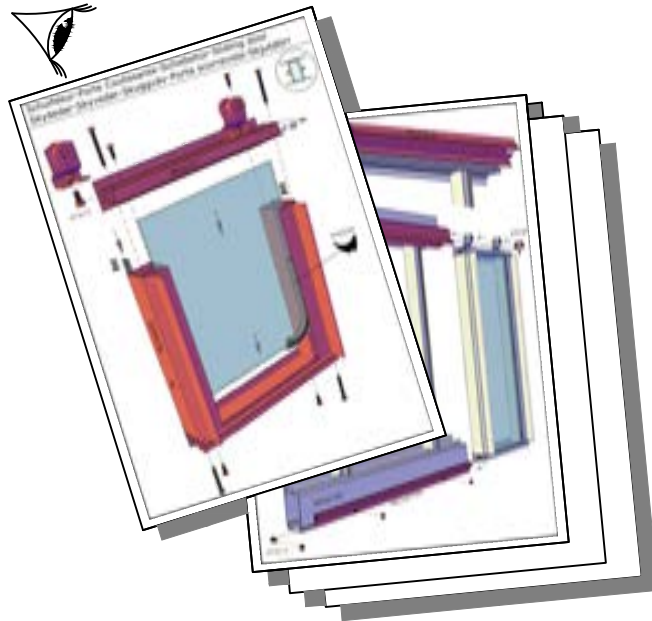
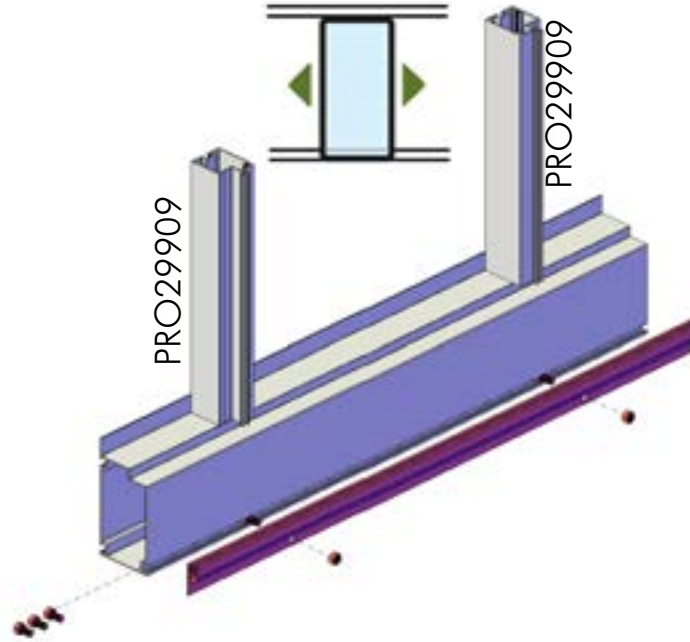




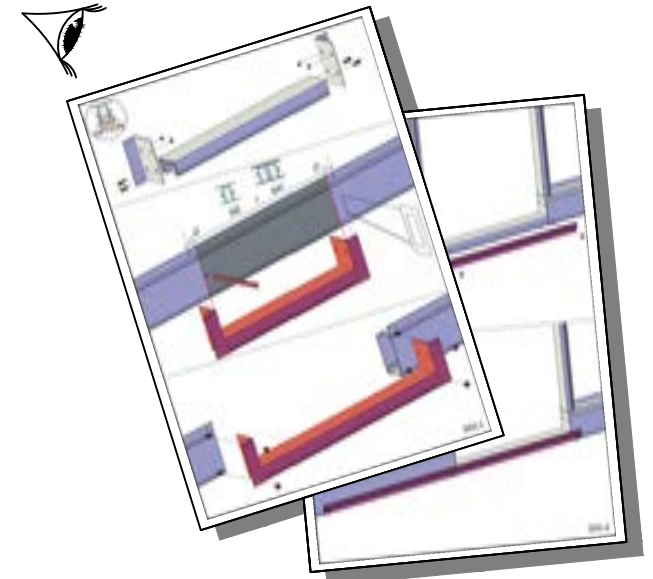
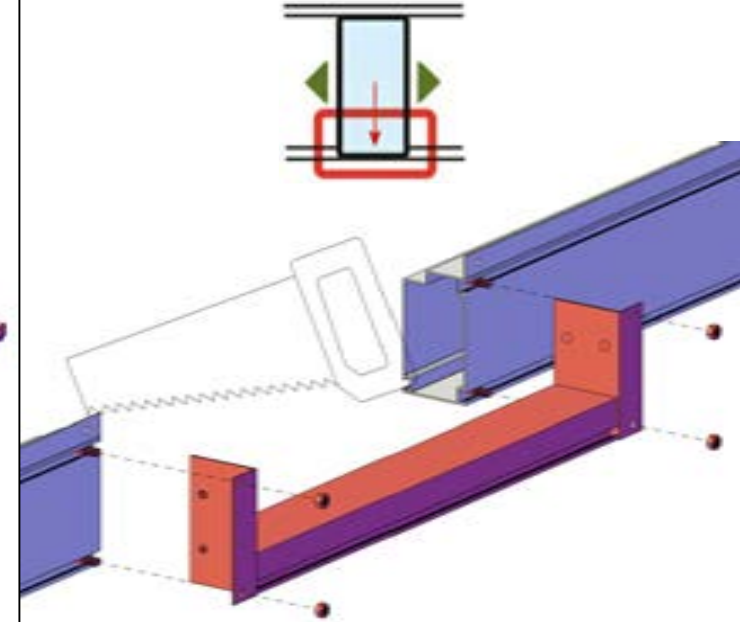
# OPTION: HINGED DOOR

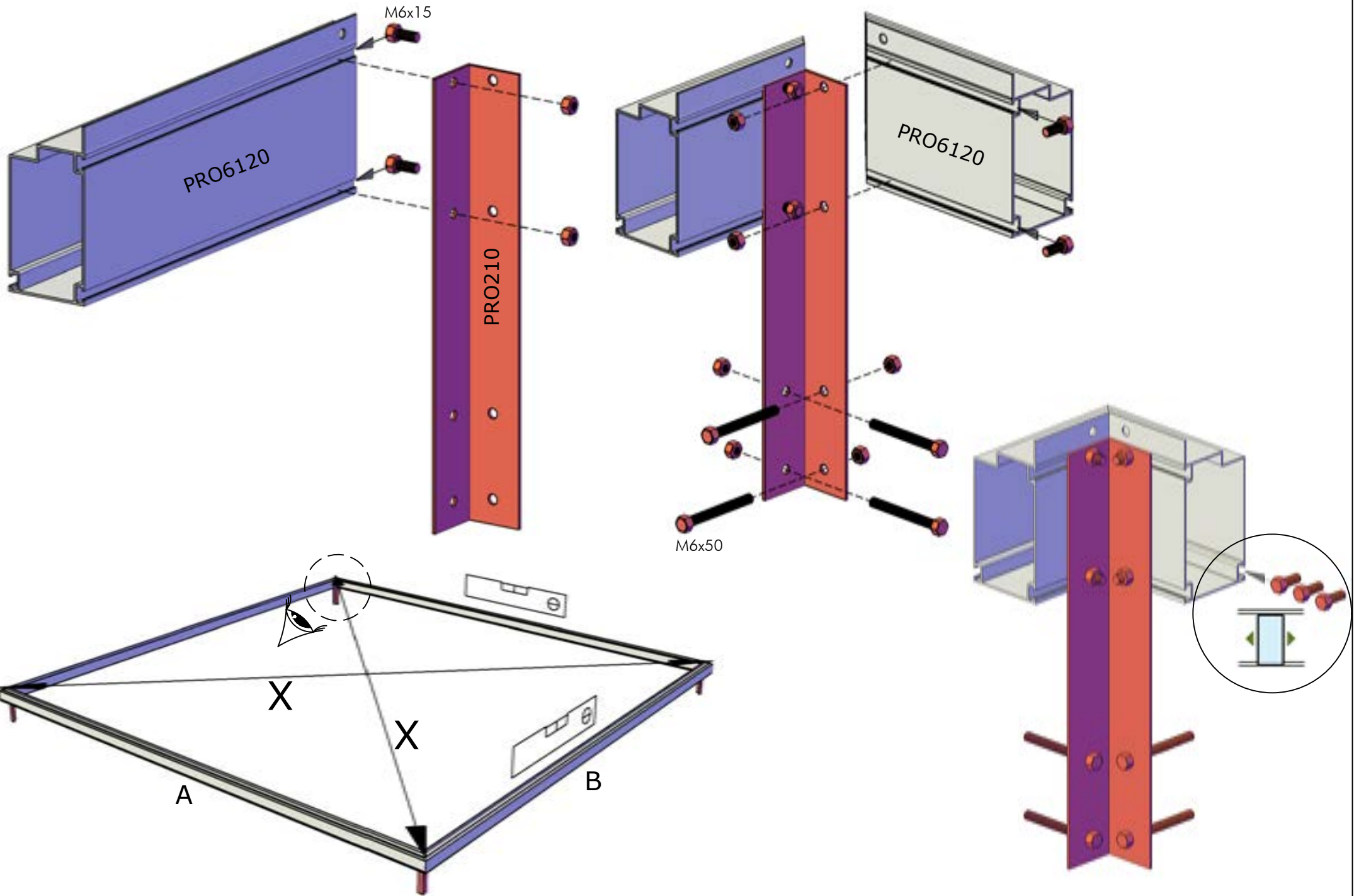


# OPTION: SLIDING DOOR



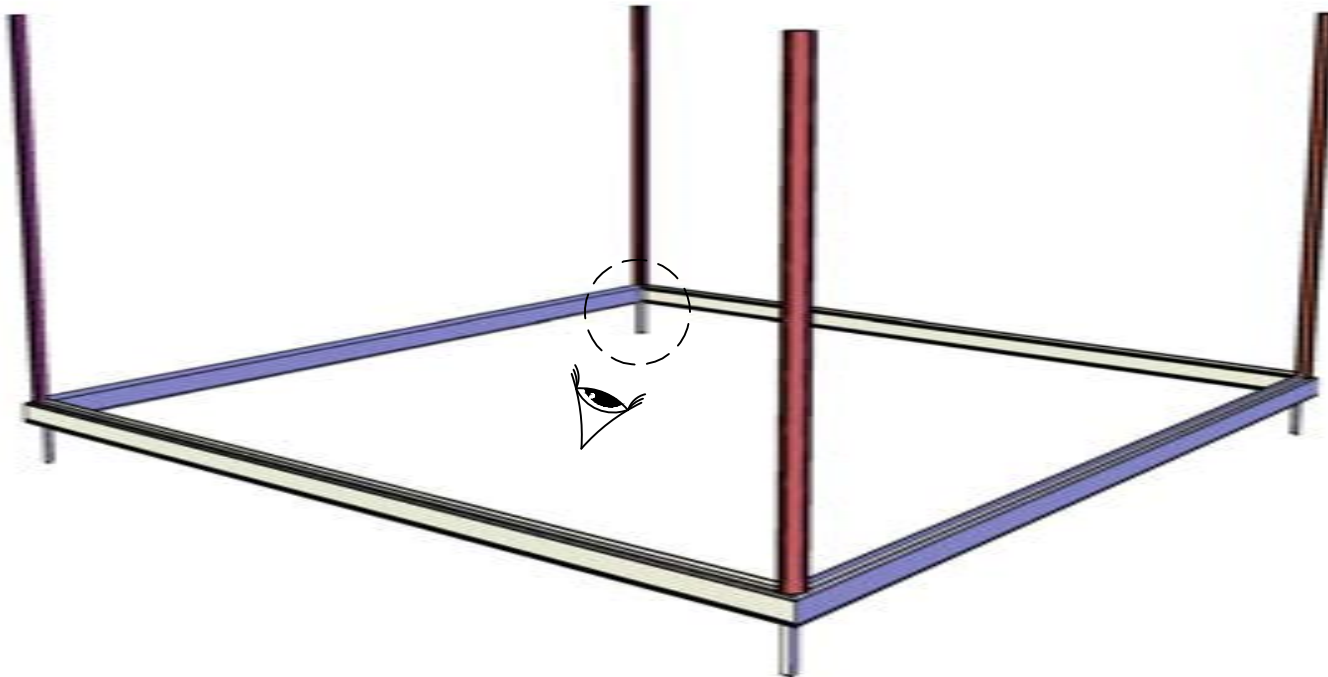
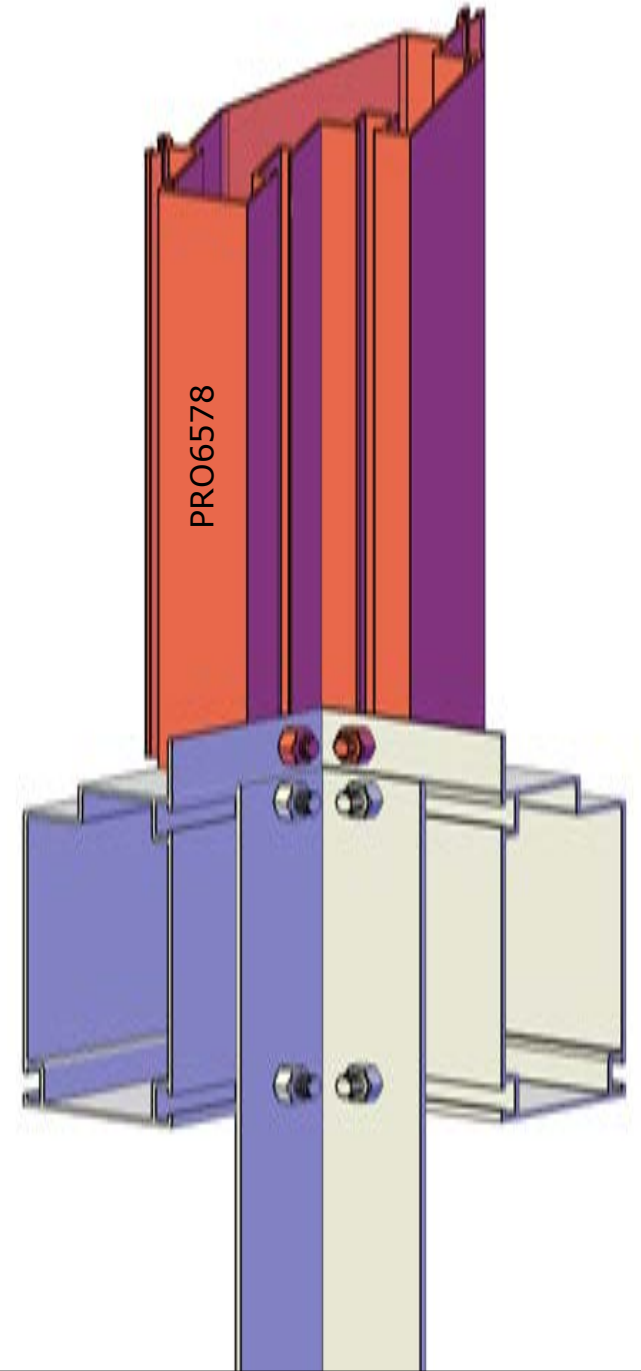
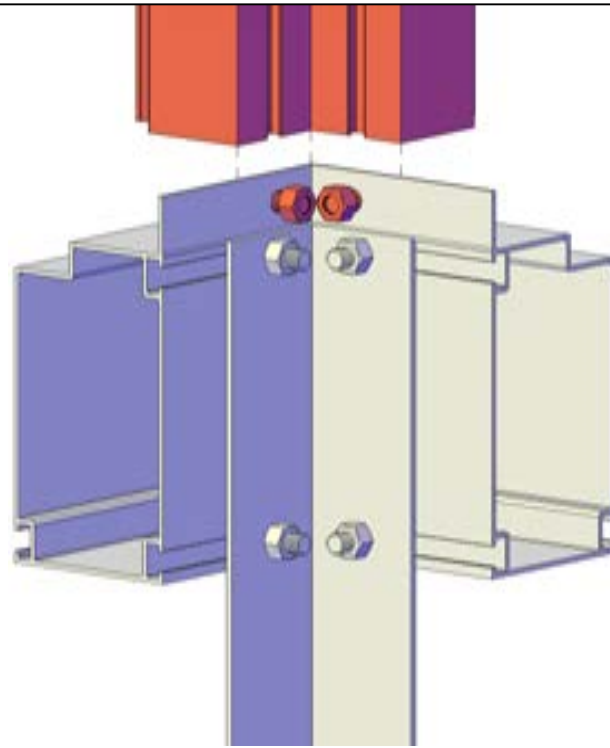
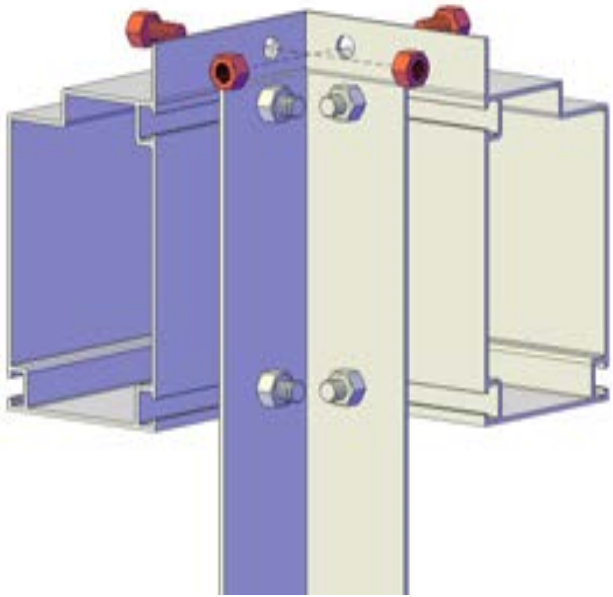
# OPTION: LOW THRESHOLD

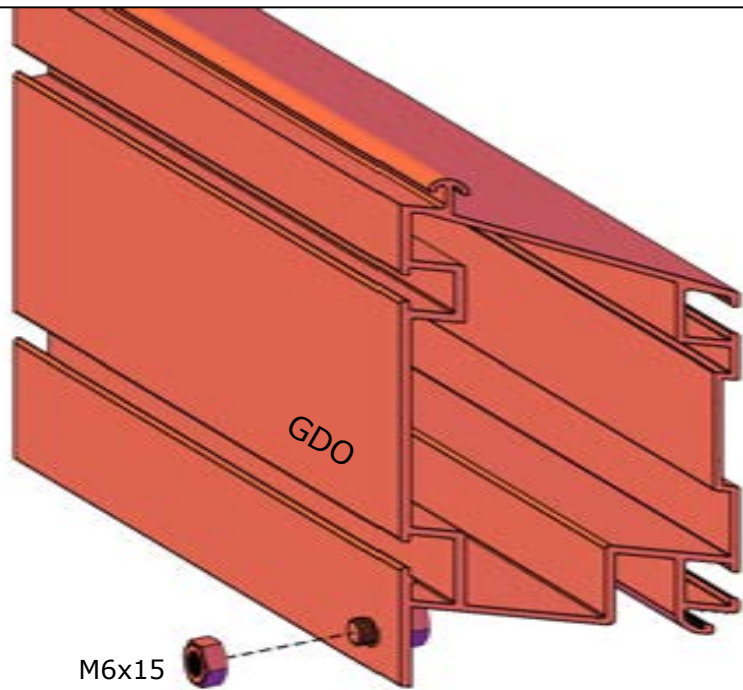




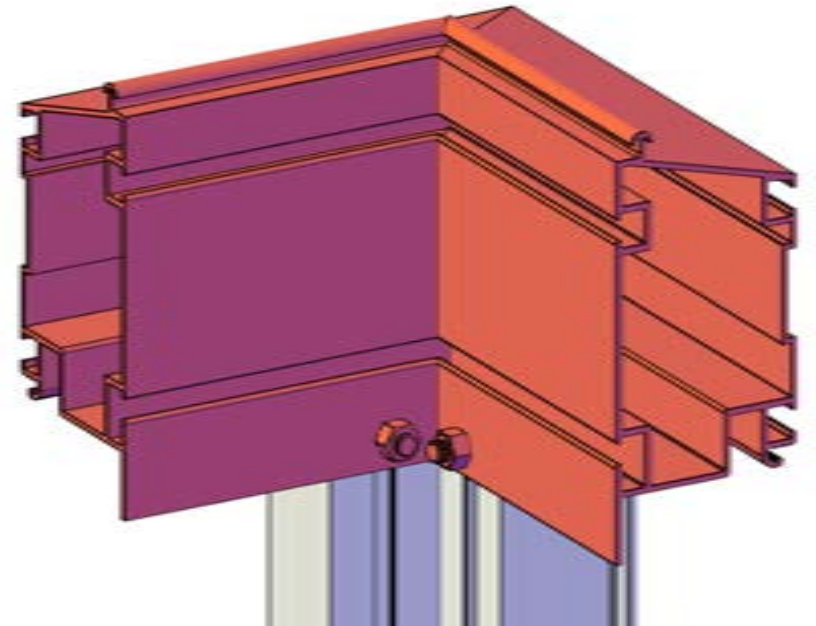
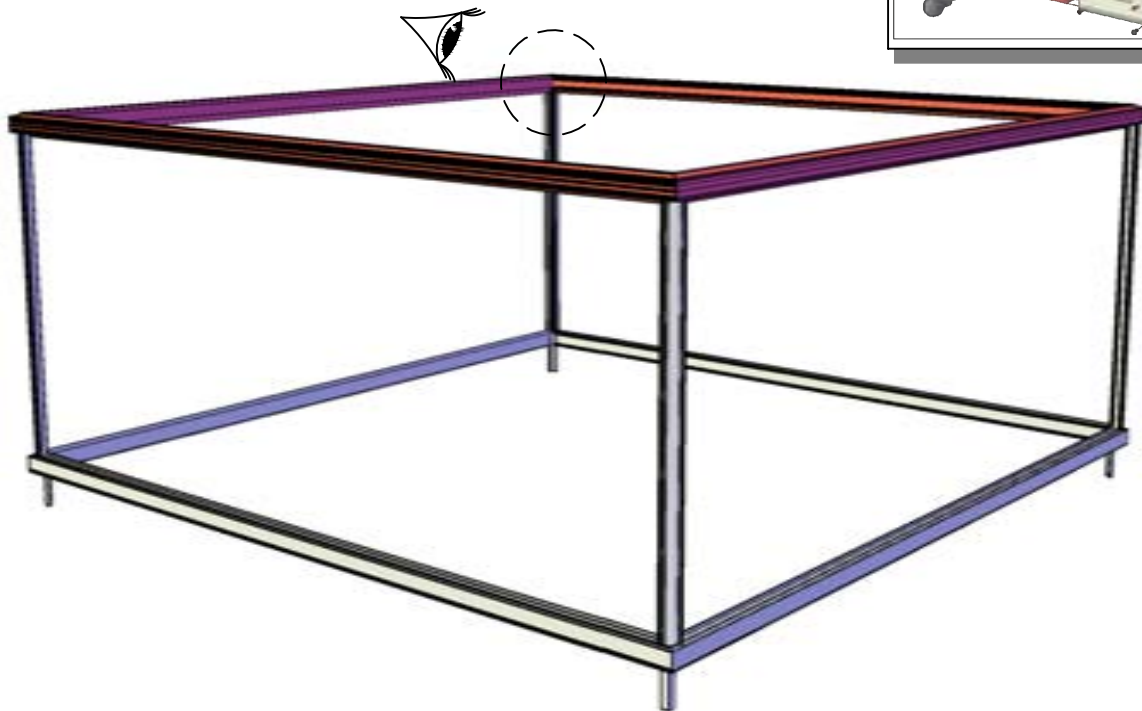
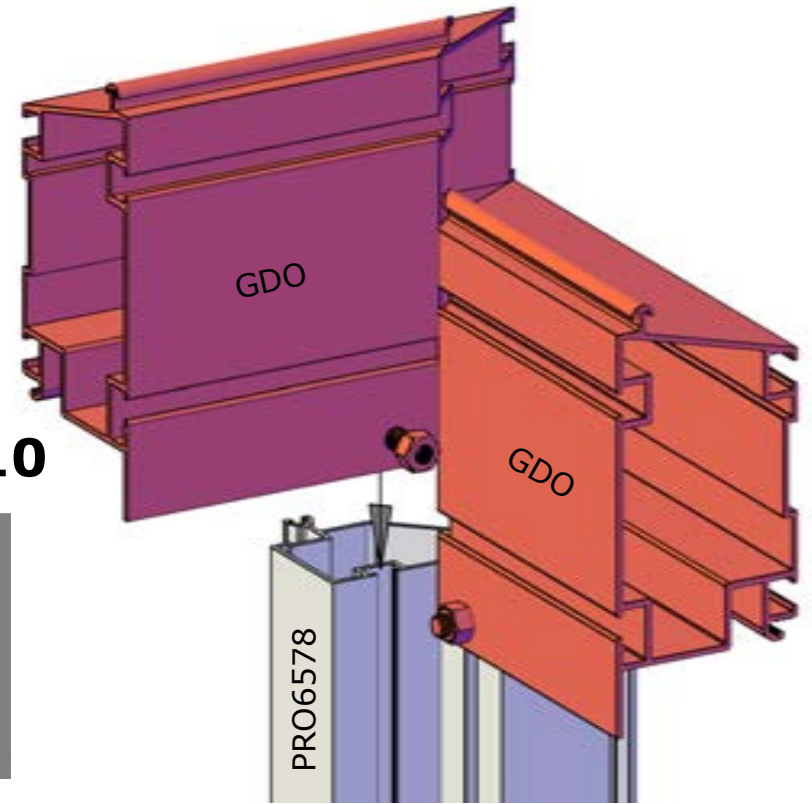
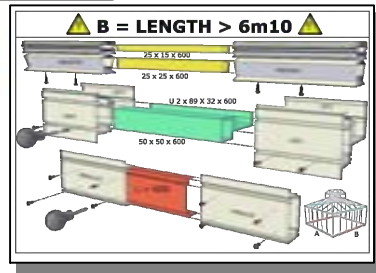


M6x15





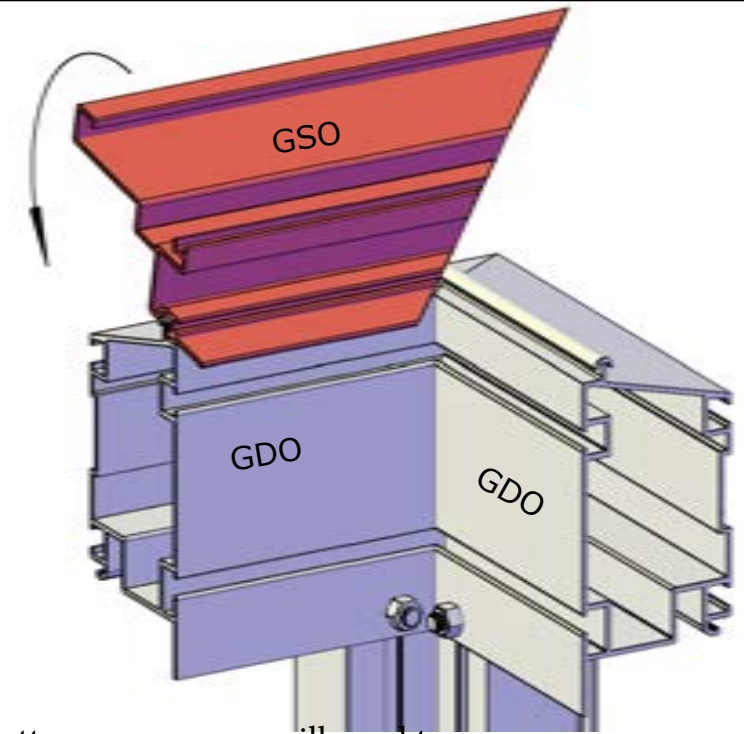
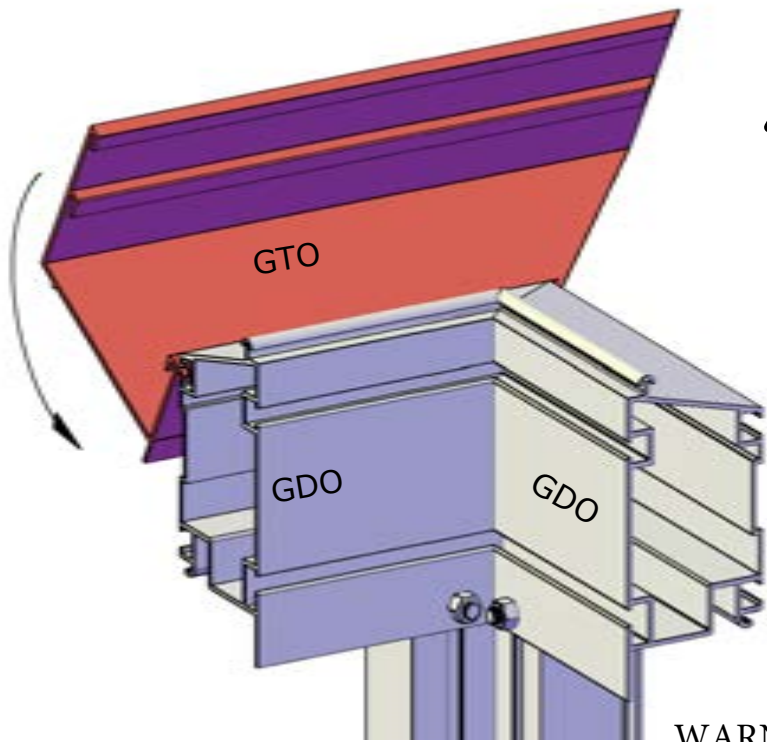
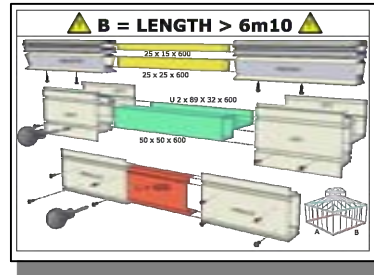
**B > 6m10**



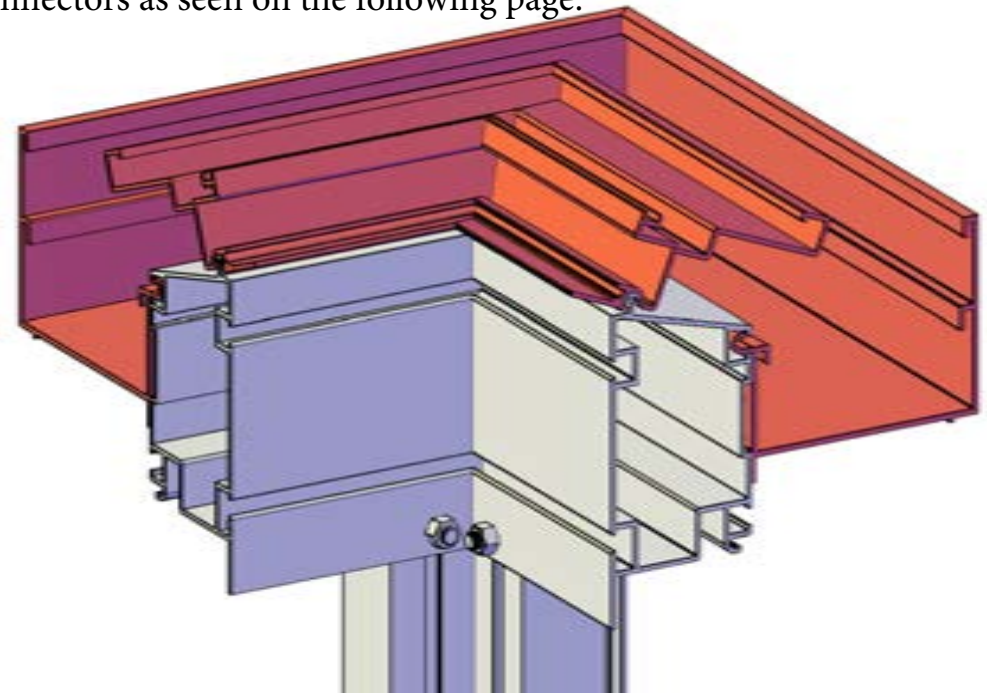
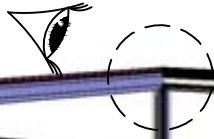


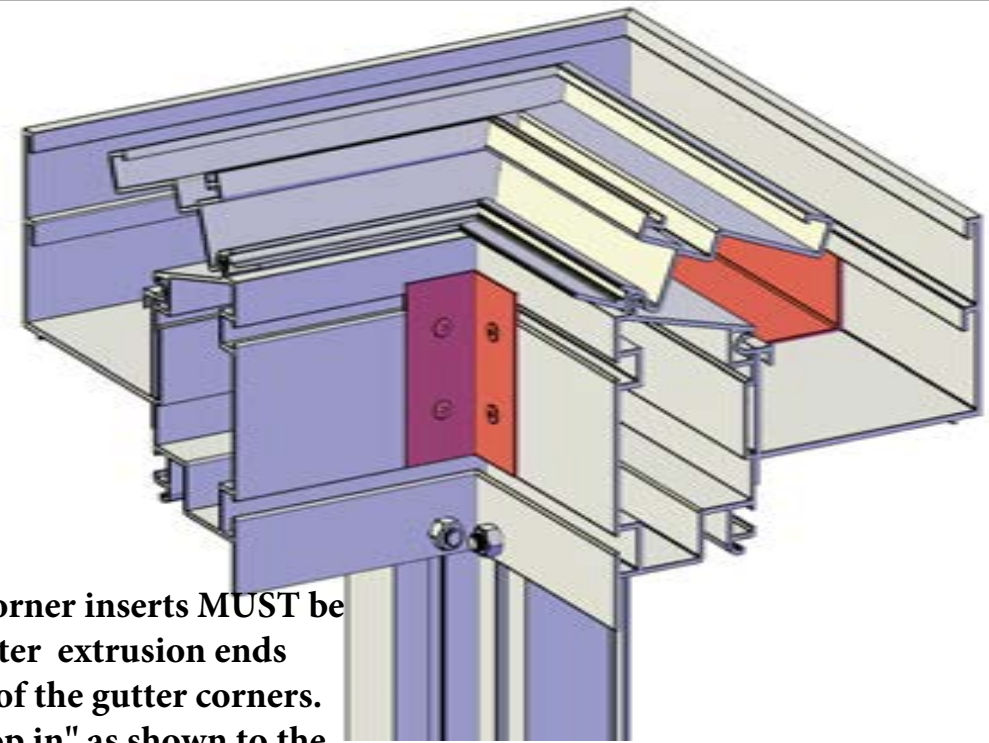
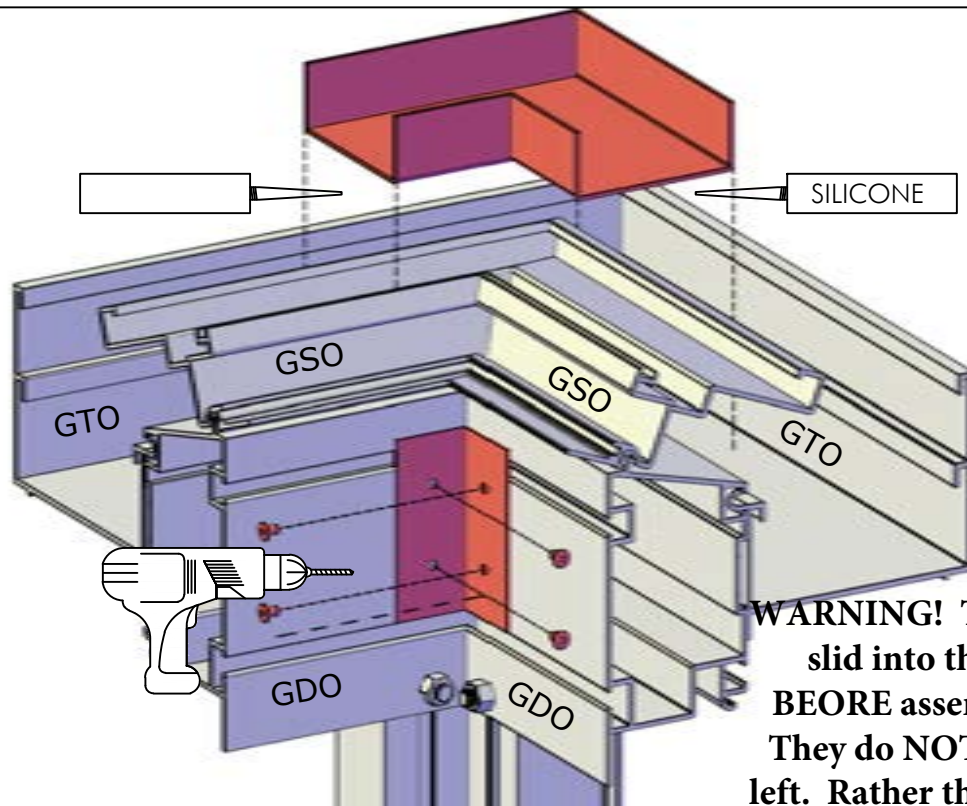


**B > 6m10**

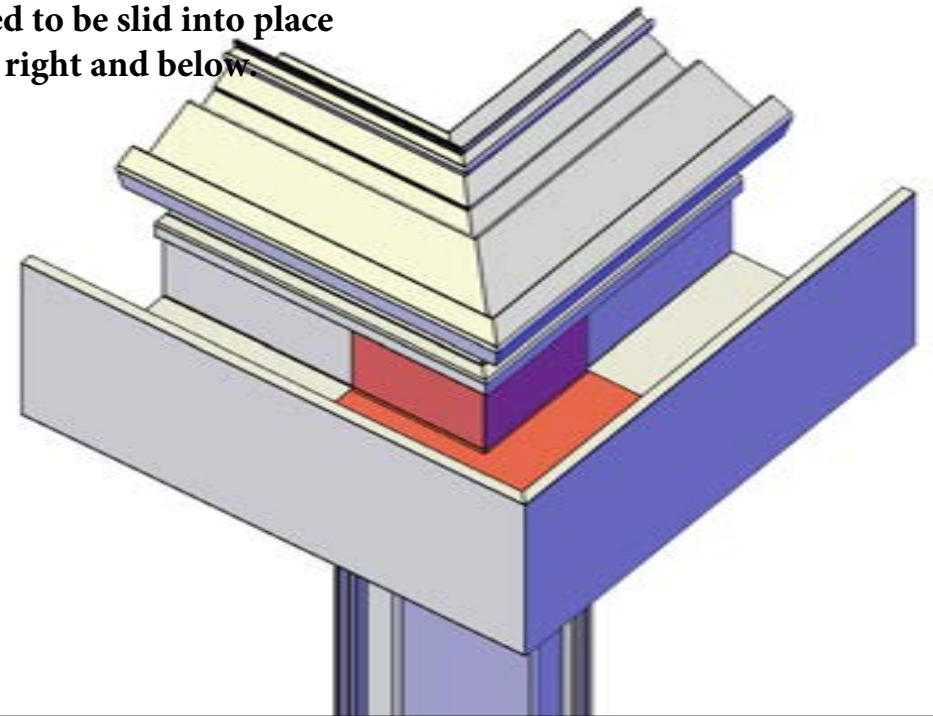
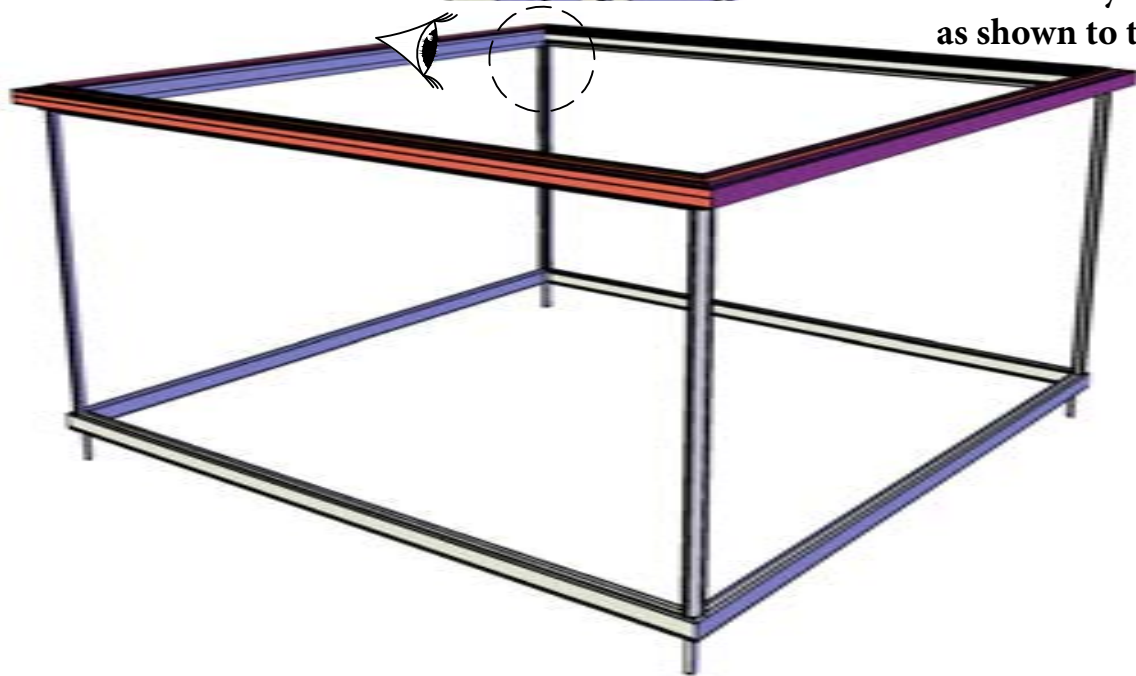


WARNING! Before assembling the gutter corners, you will need to insert the gutter corner connectors as seen on the following page.





**WARNING!** The corner inserts **MUST** be slid into the gutter extrusion ends **BEFORE** assembly of the gutter corners. They do **NOT** "drop in" as shown to the left. Rather they need to be slid into place as shown to the right and below.



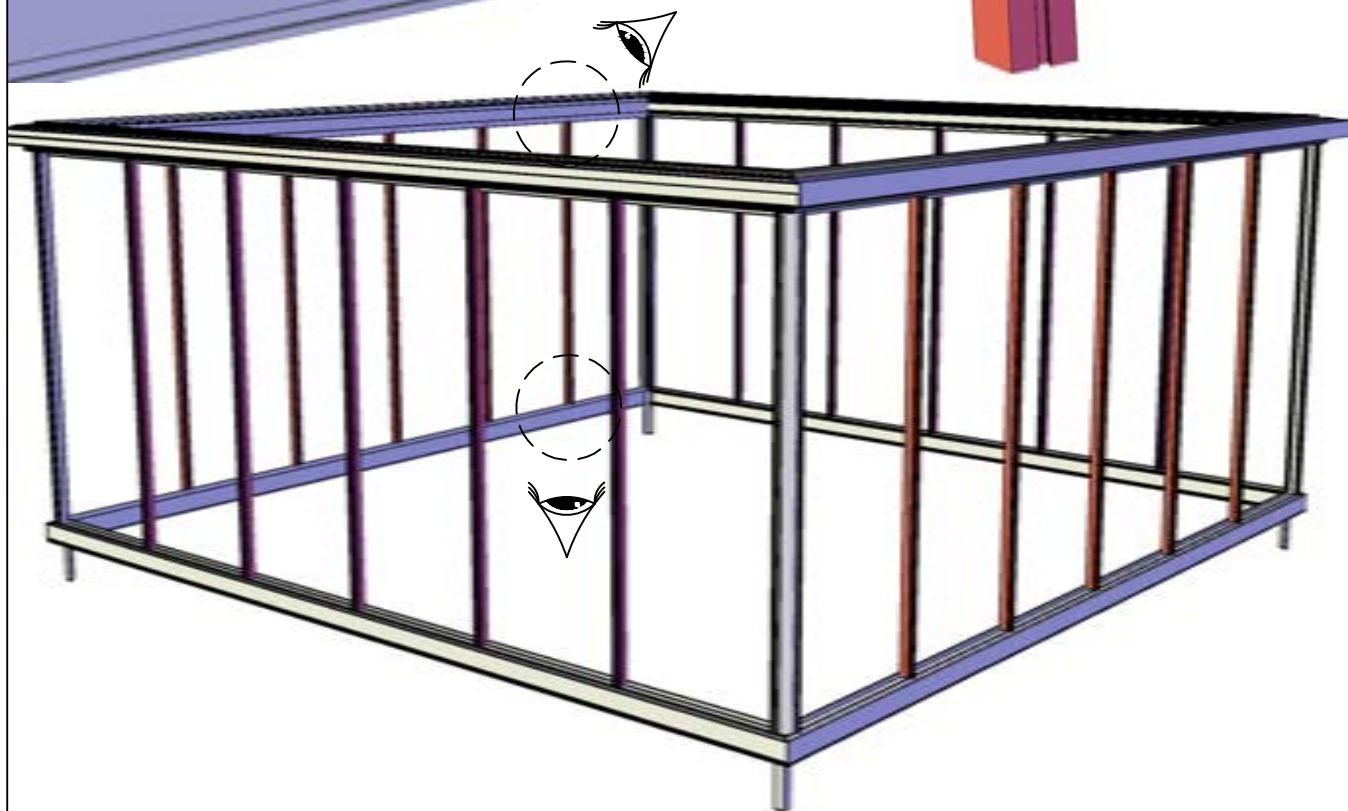
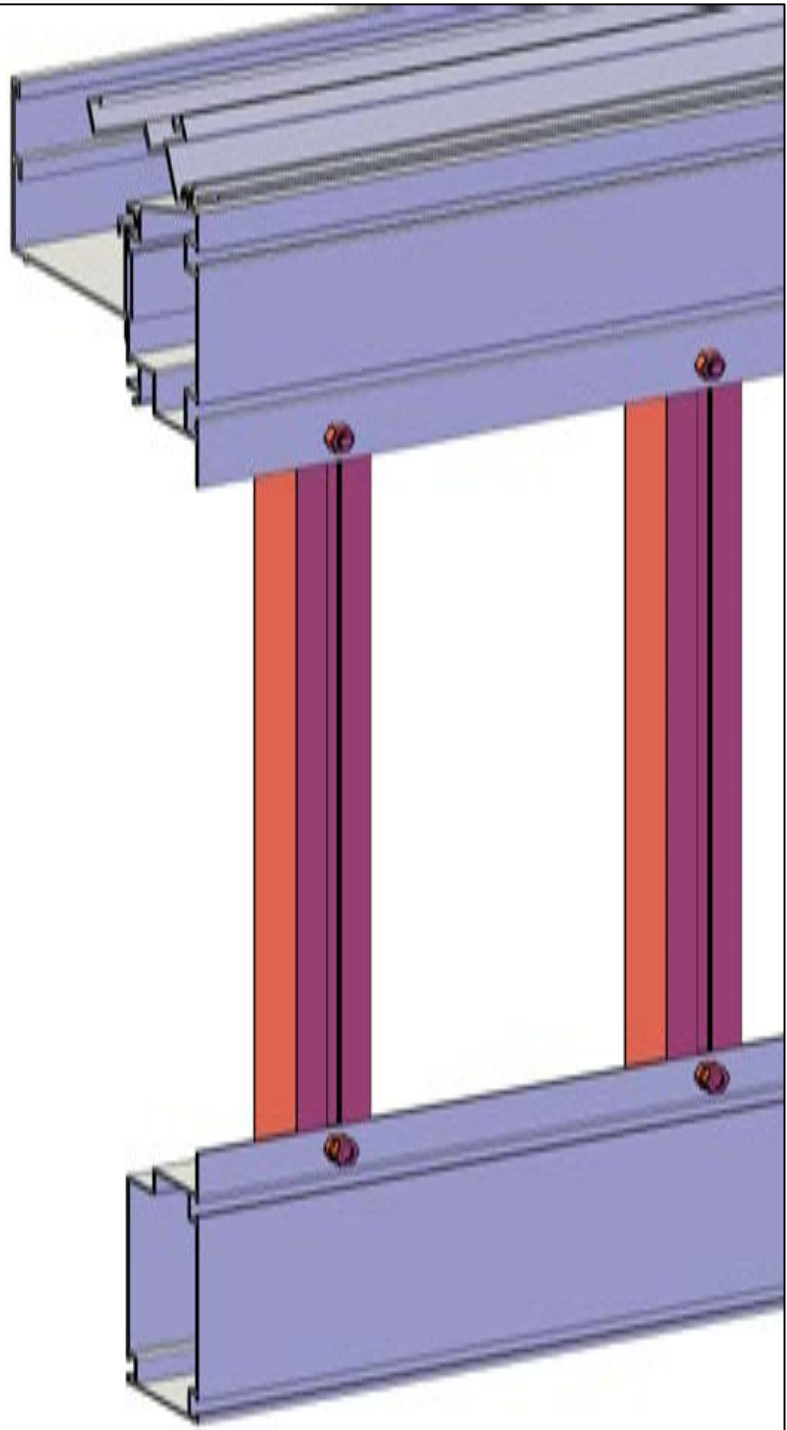
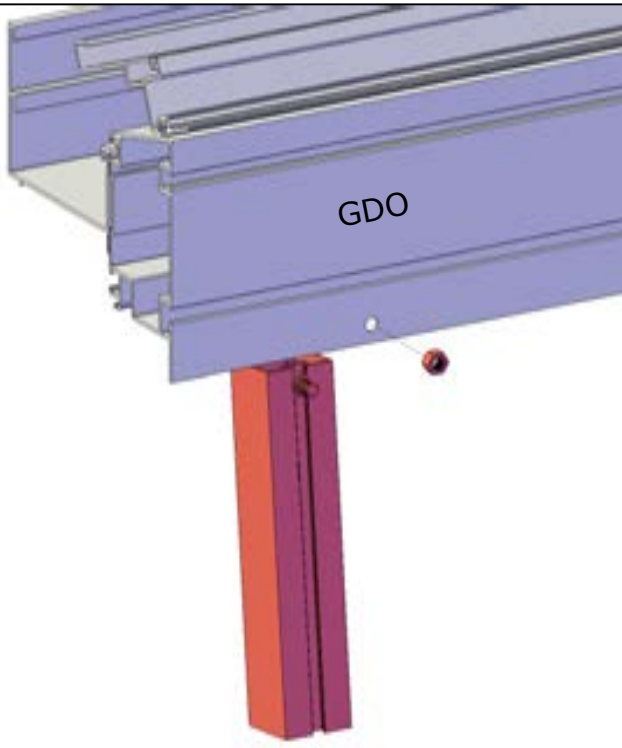
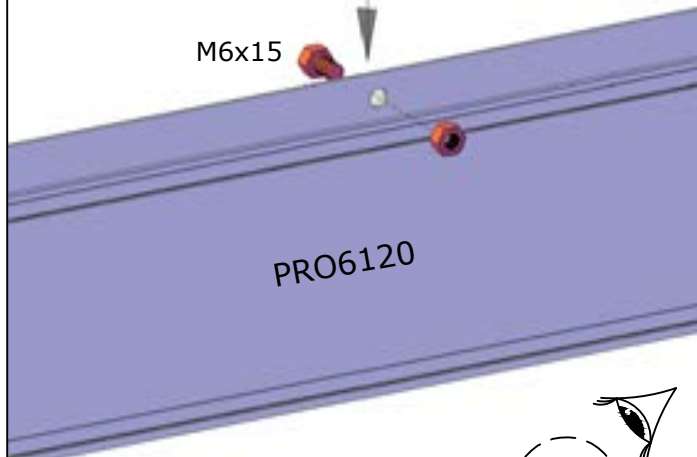


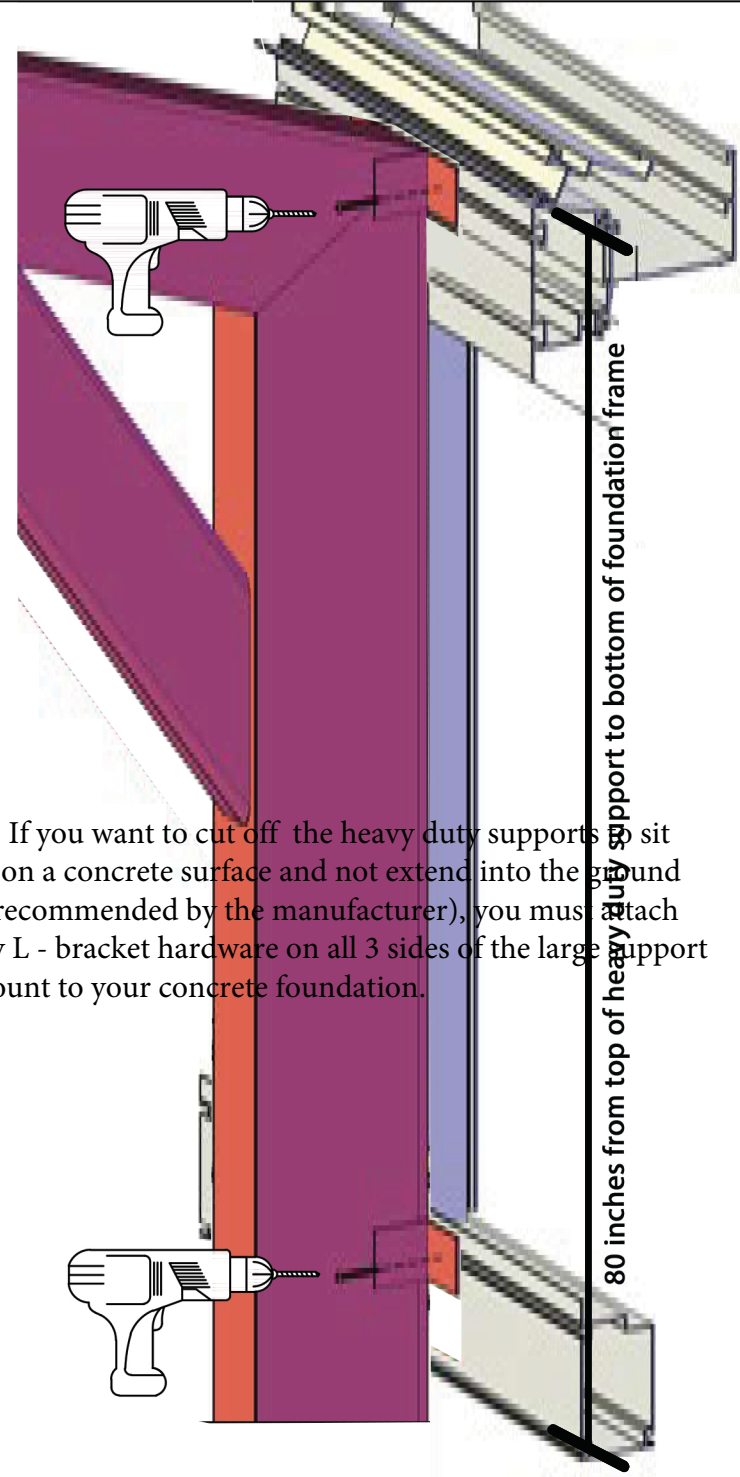
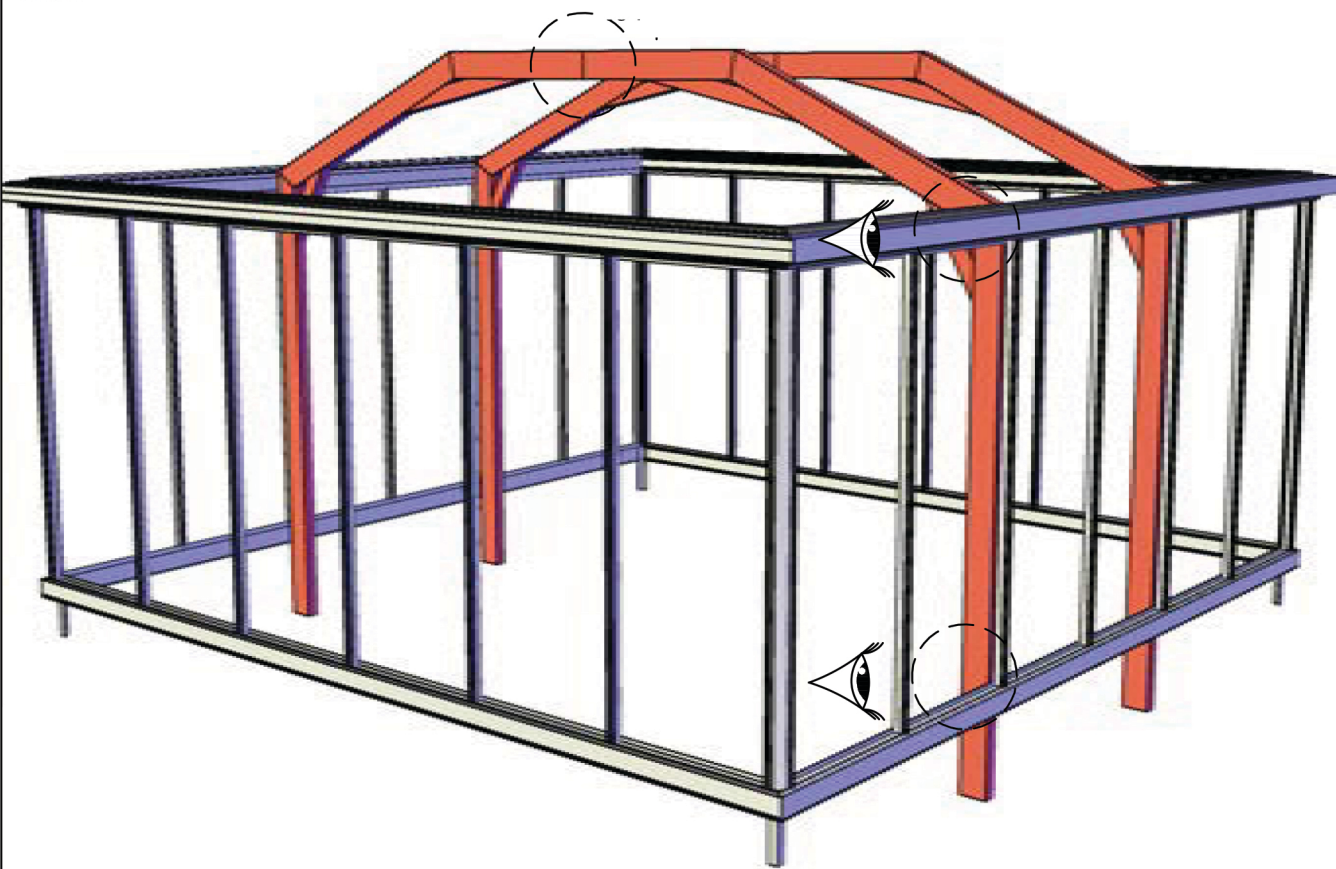
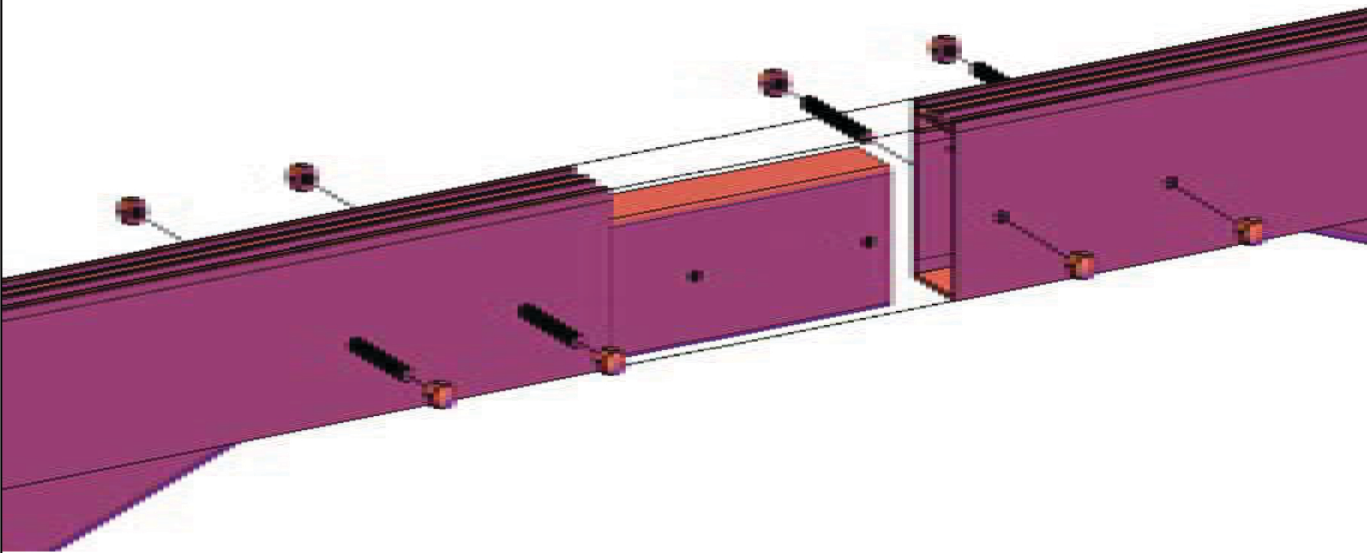
PRO1456

M6x15

PRO6120

GDO

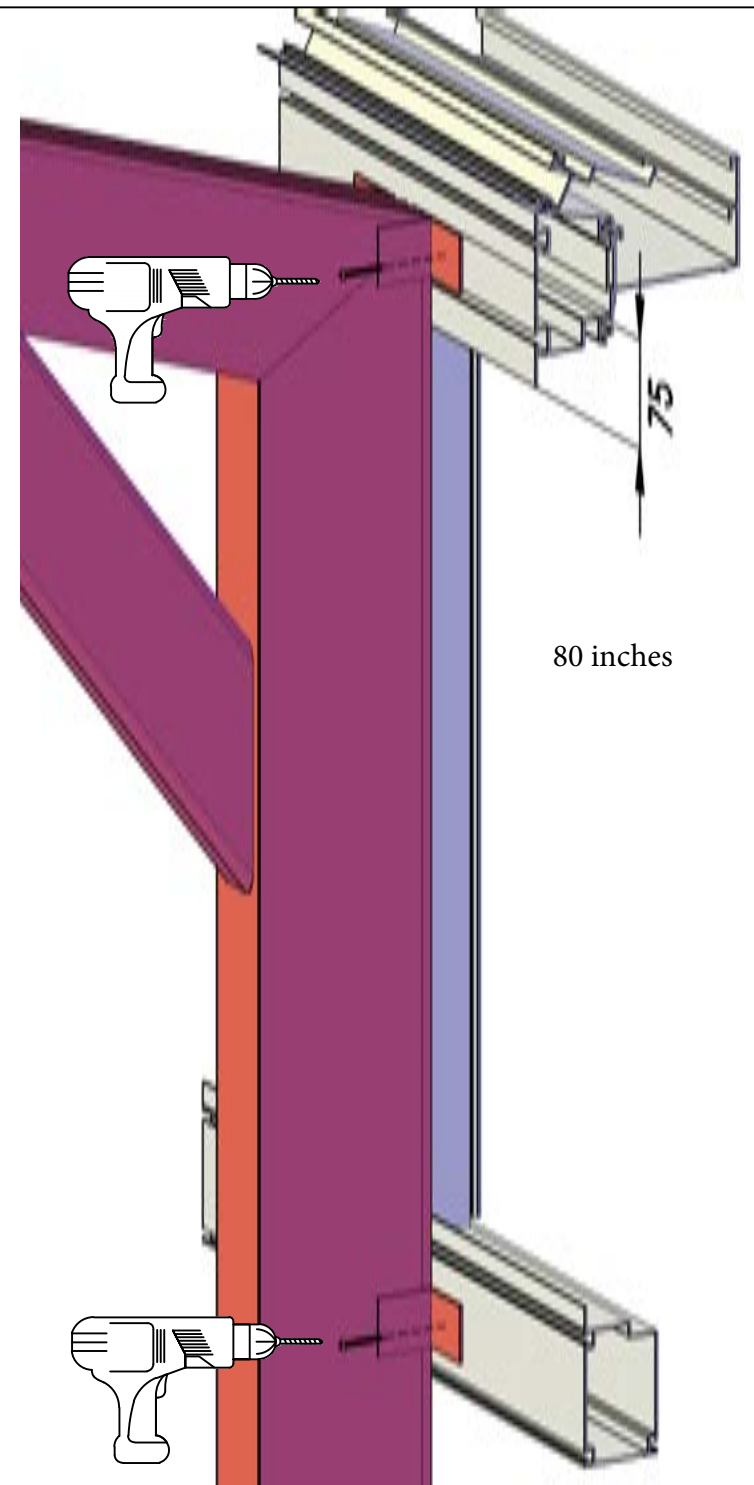
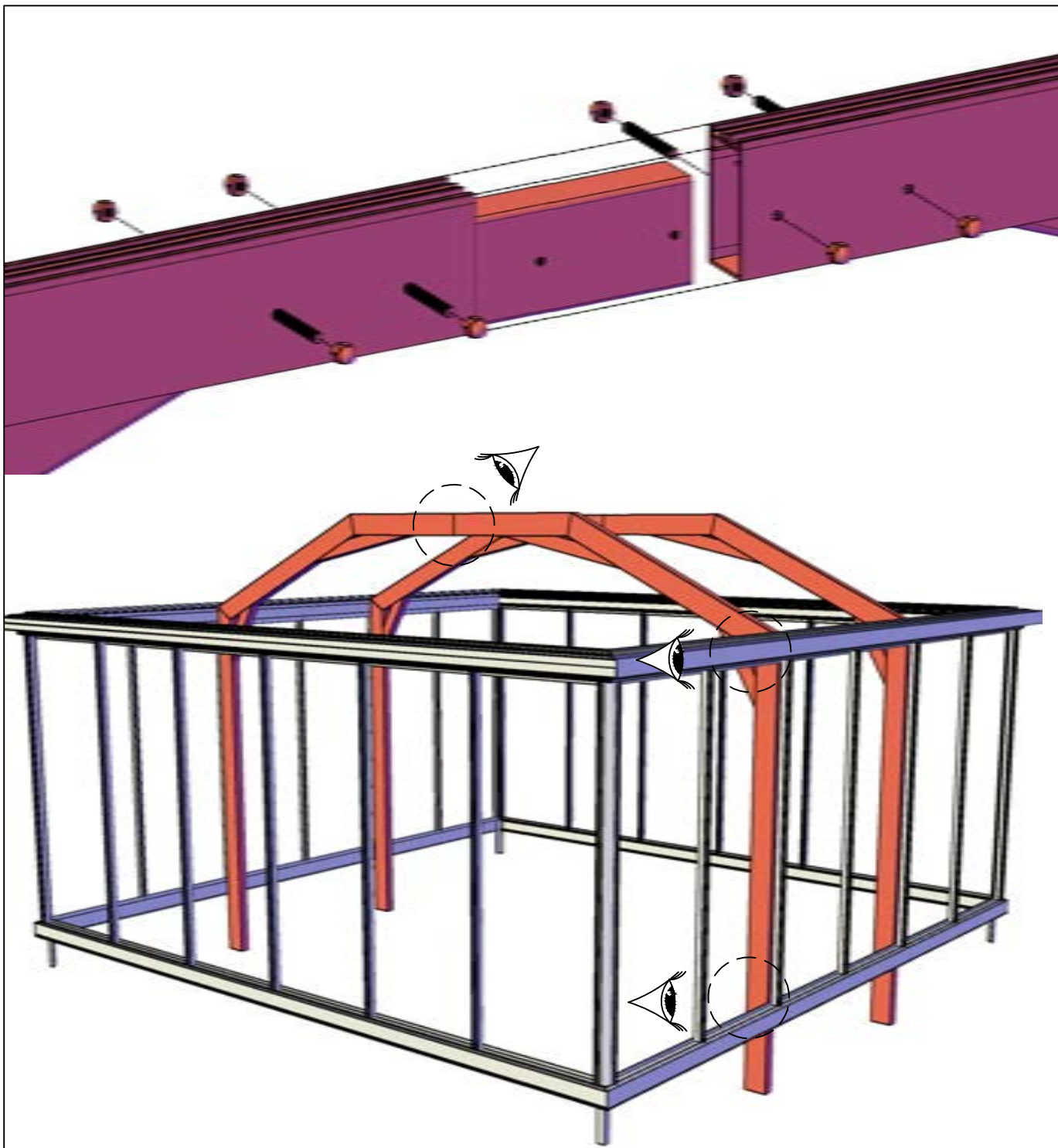


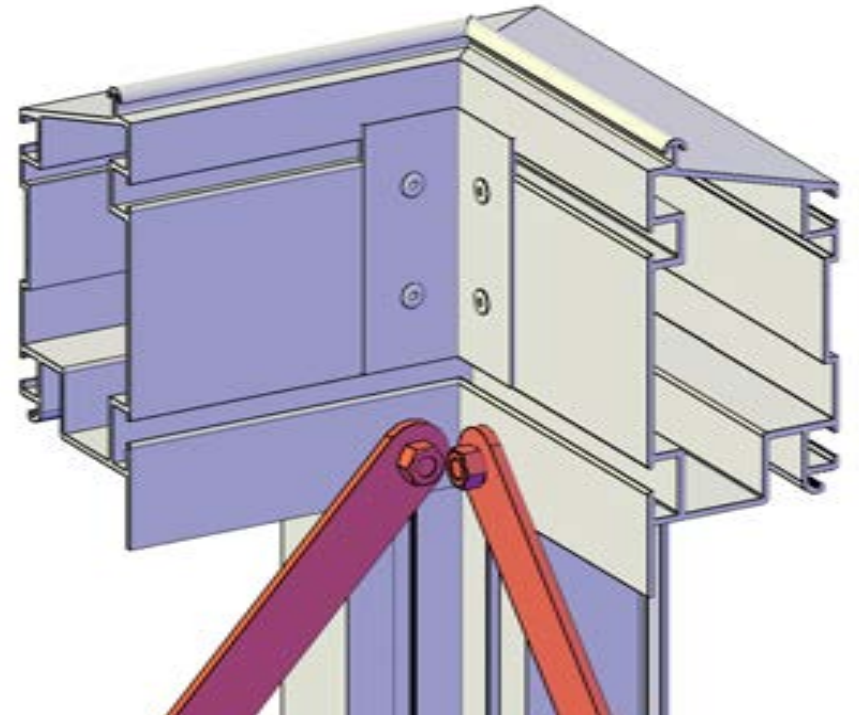
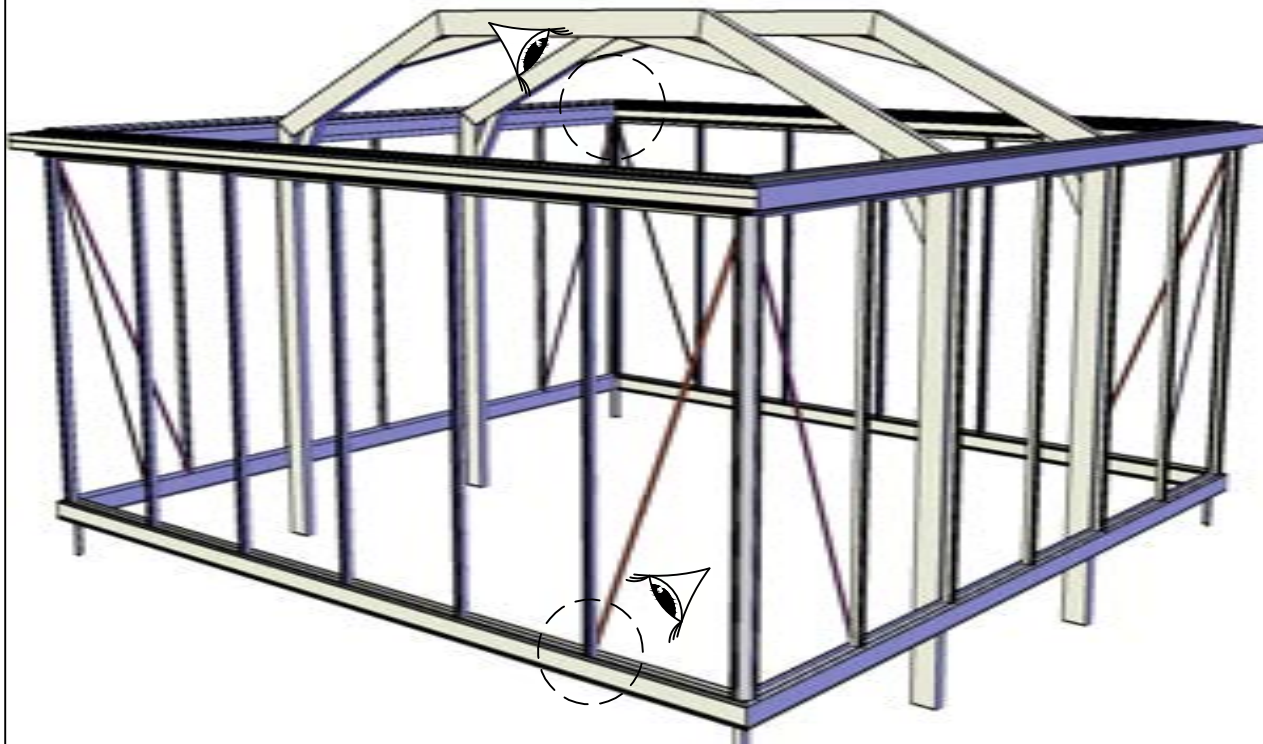
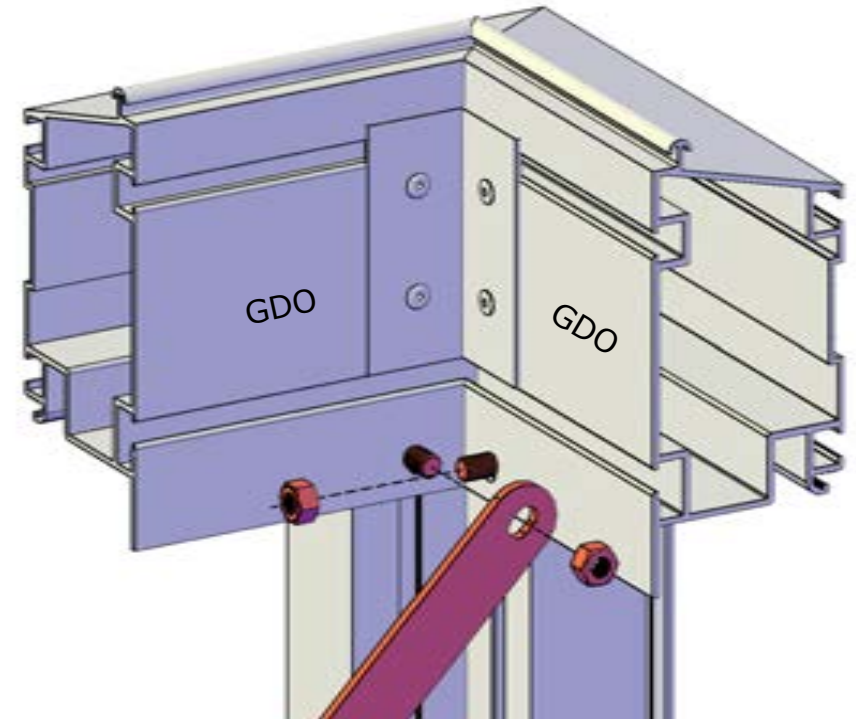
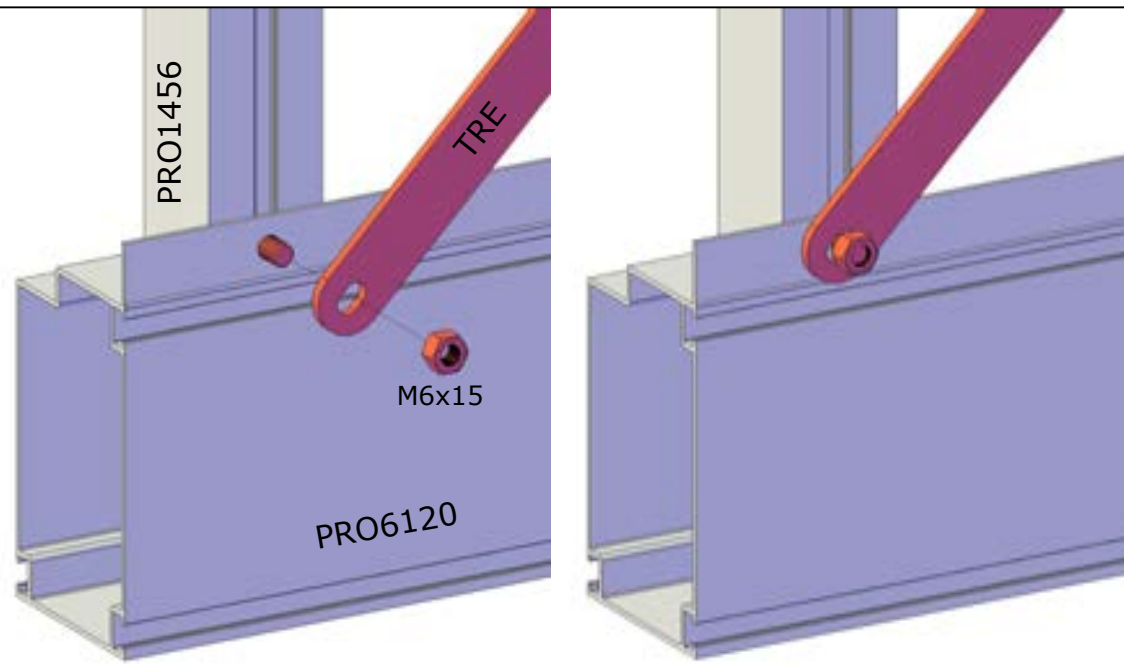


Note: If you want to cut off the heavy duty supports to sit flush on a concrete surface and not extend into the ground (not recommended by the manufacturer), you must attach heavy L - bracket hardware on all 3 sides of the large support to mount to your concrete foundation.

80 inches from top of heavy duty support to bottom of foundation frame

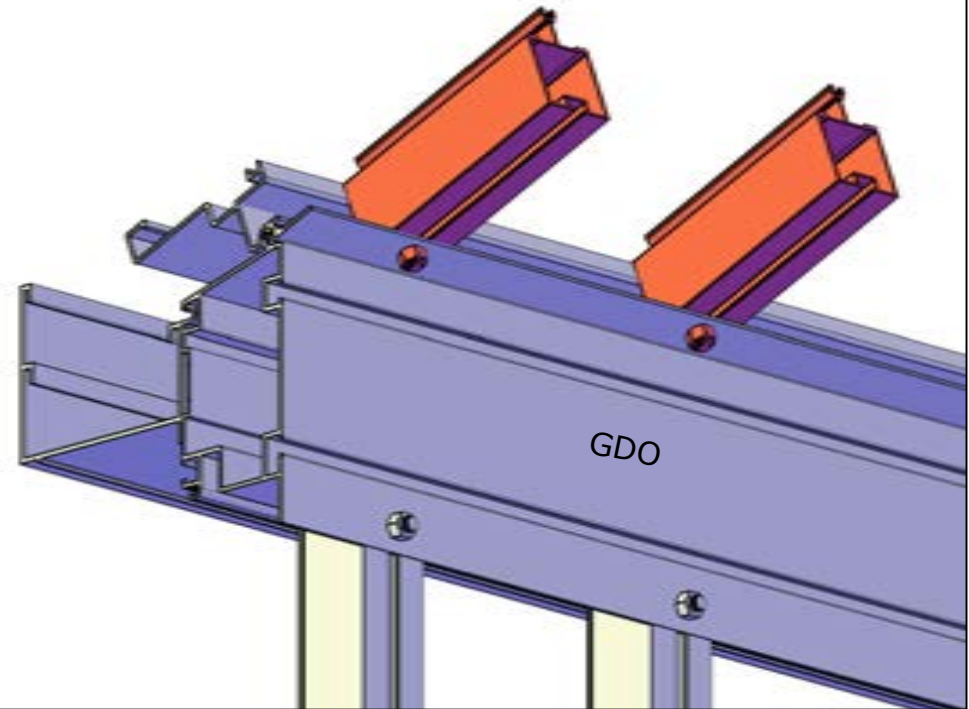
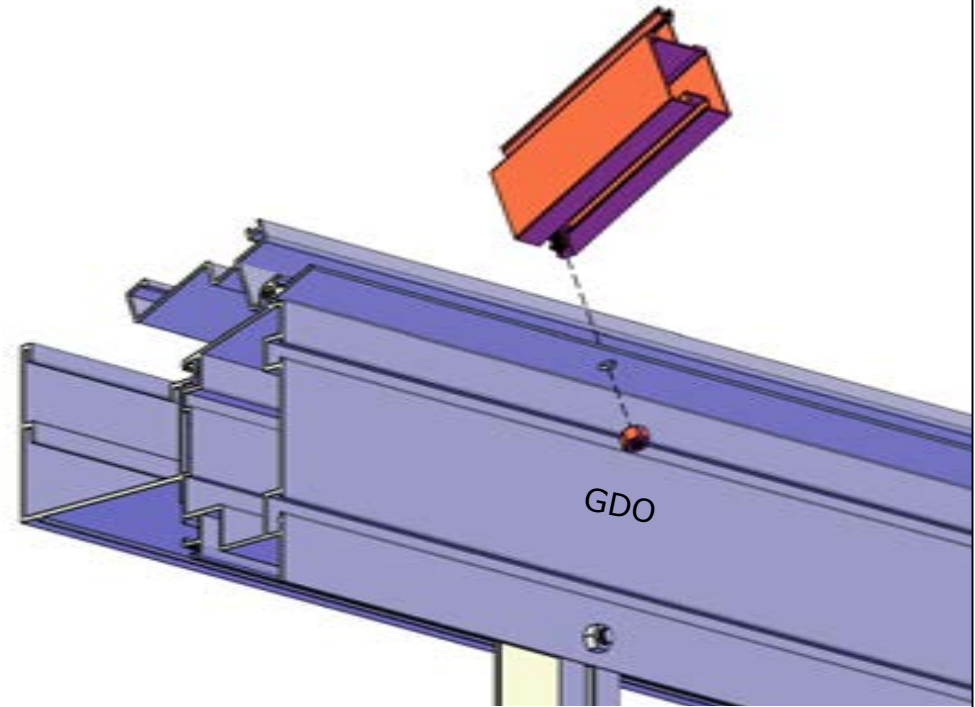
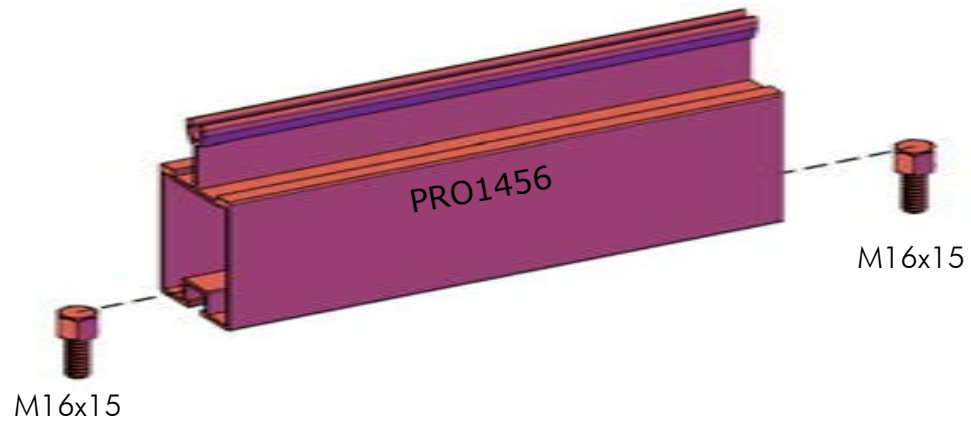




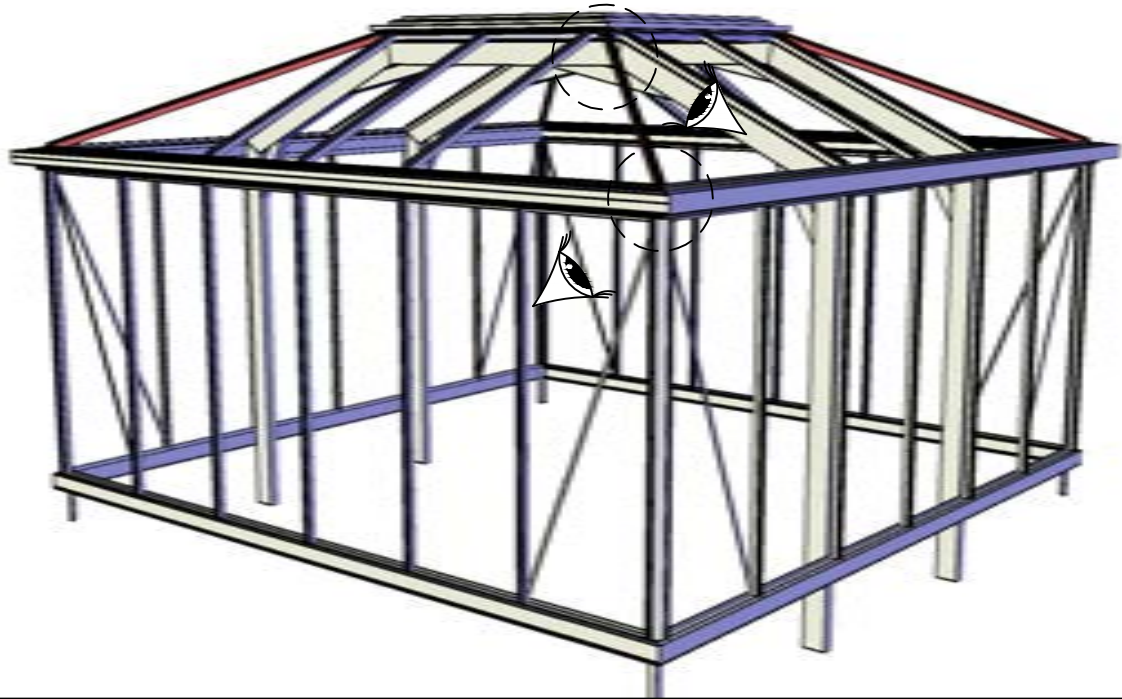
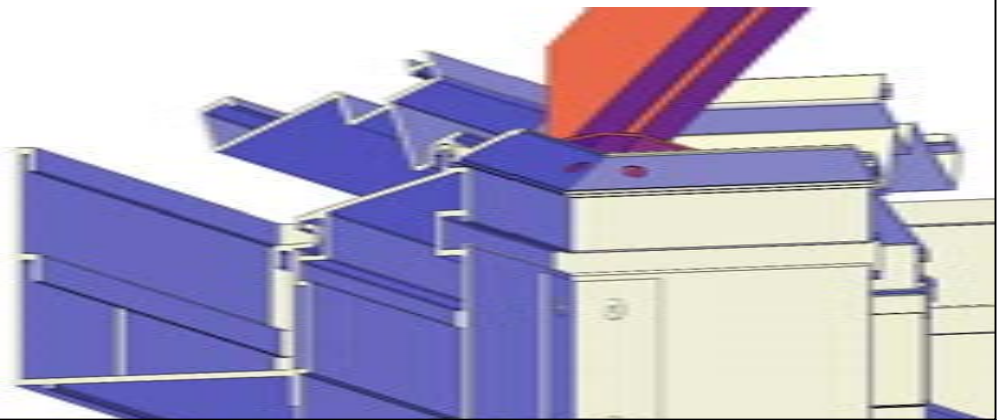
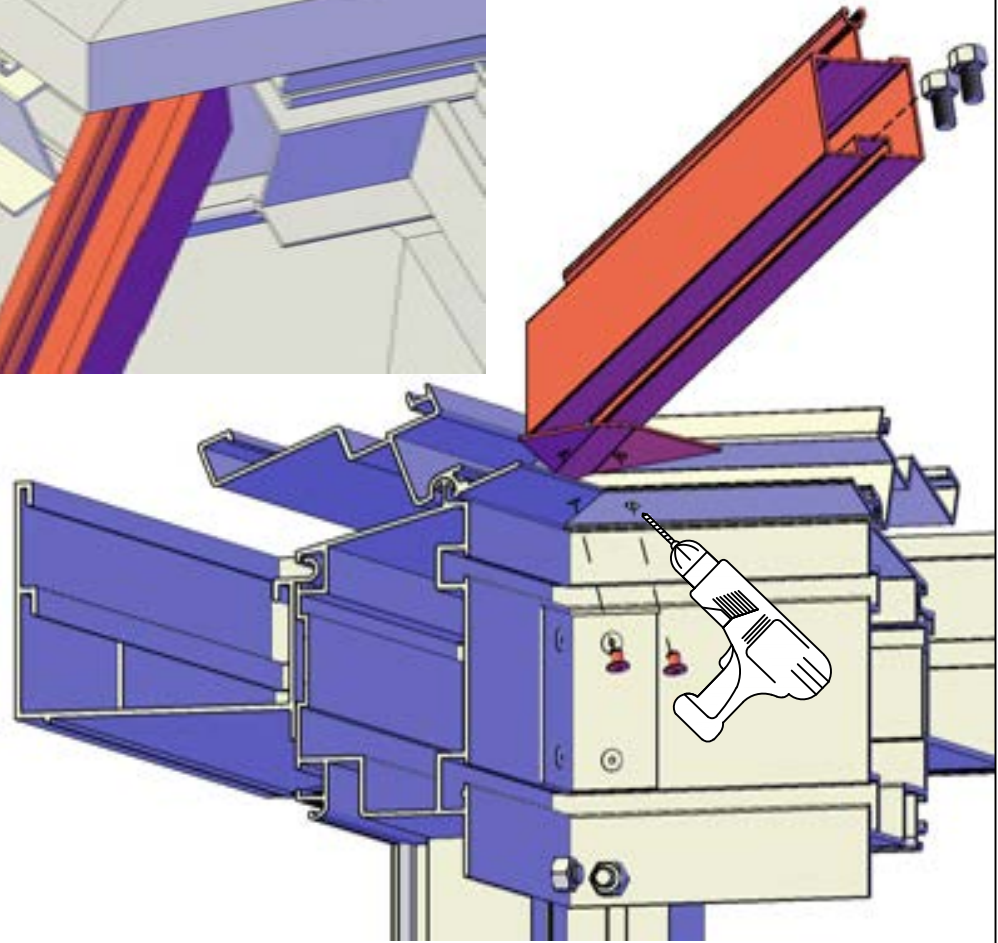
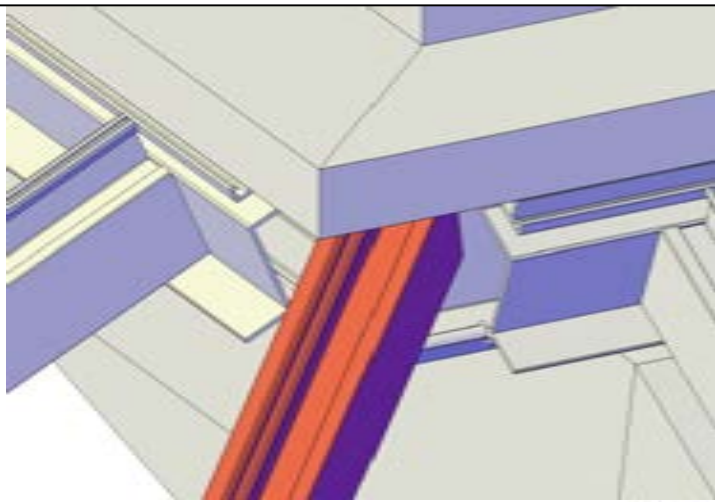
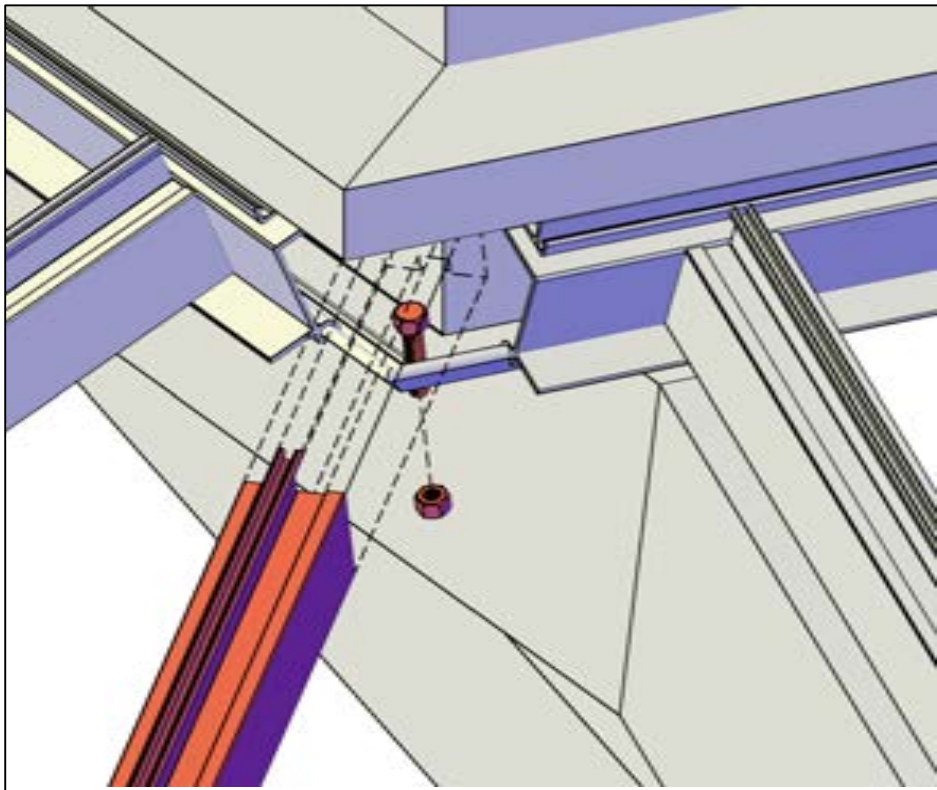




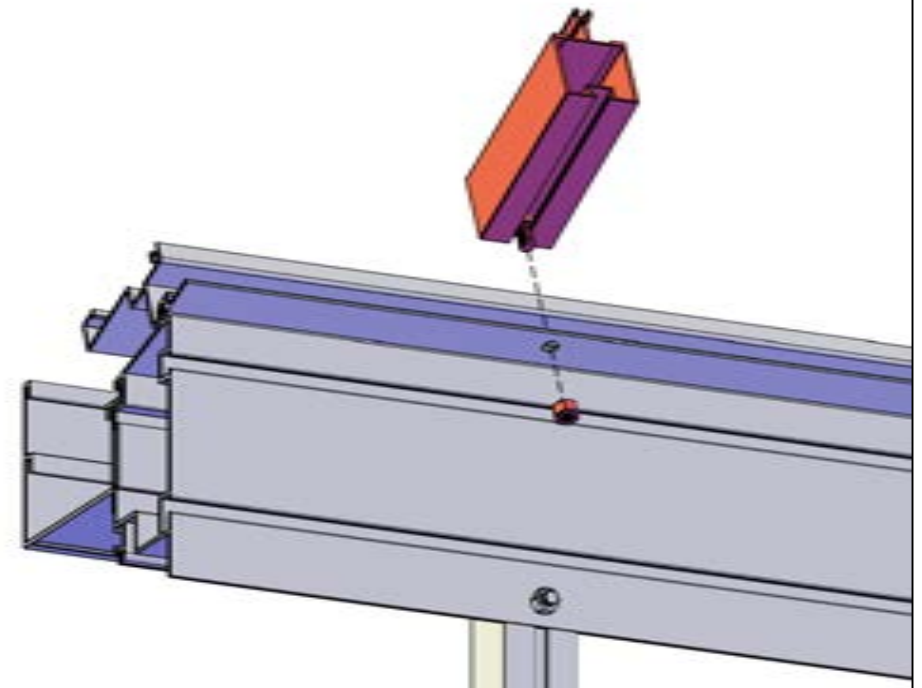
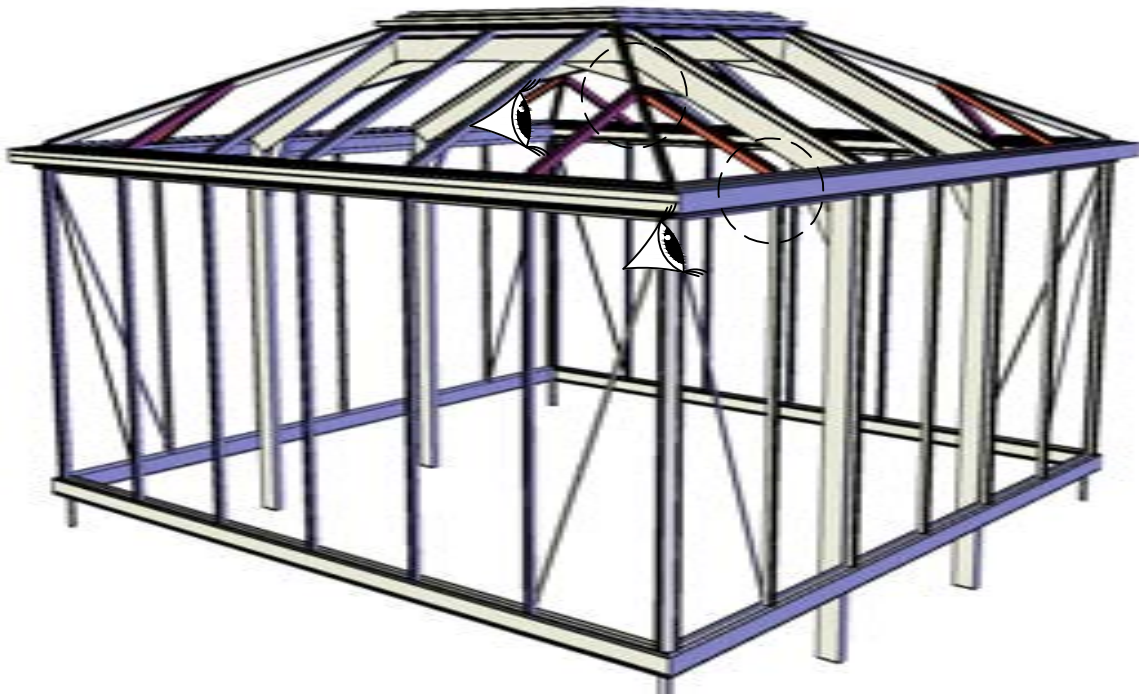
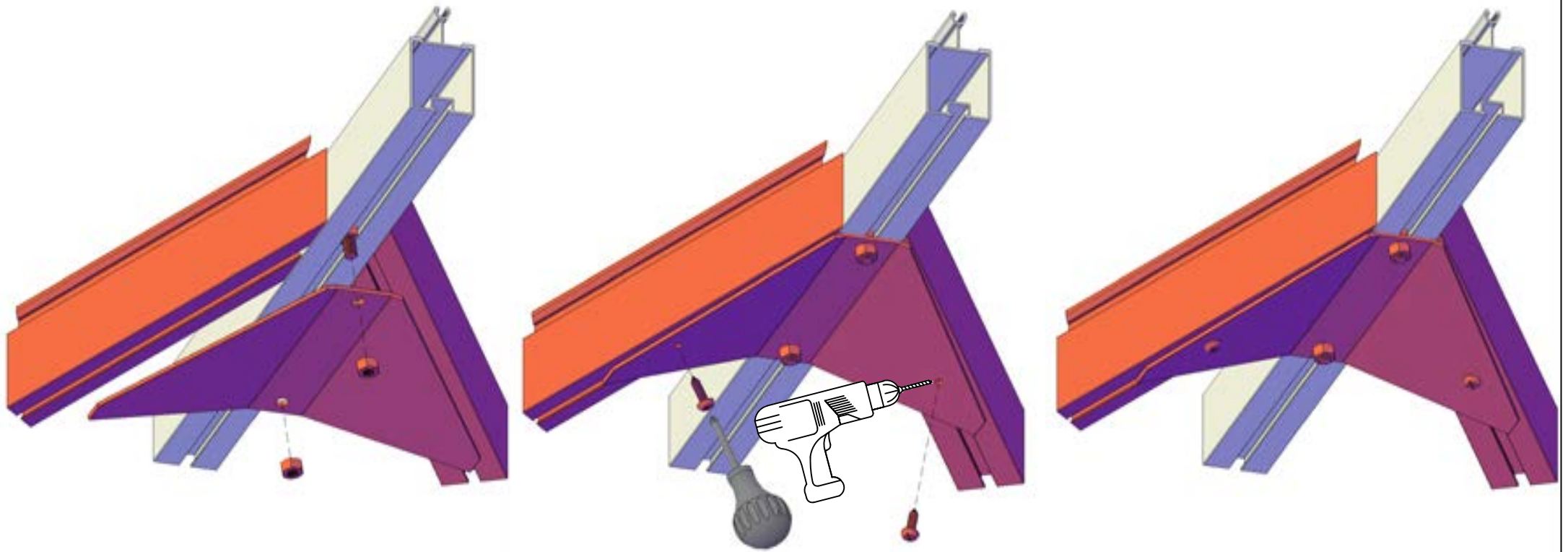






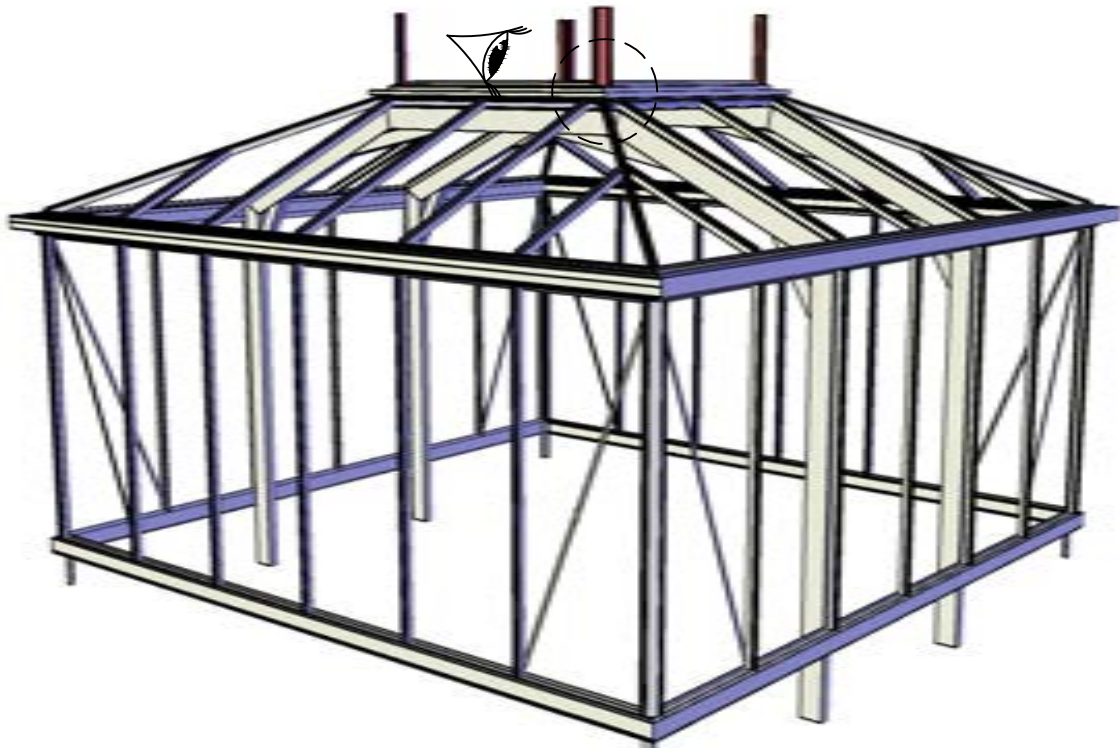
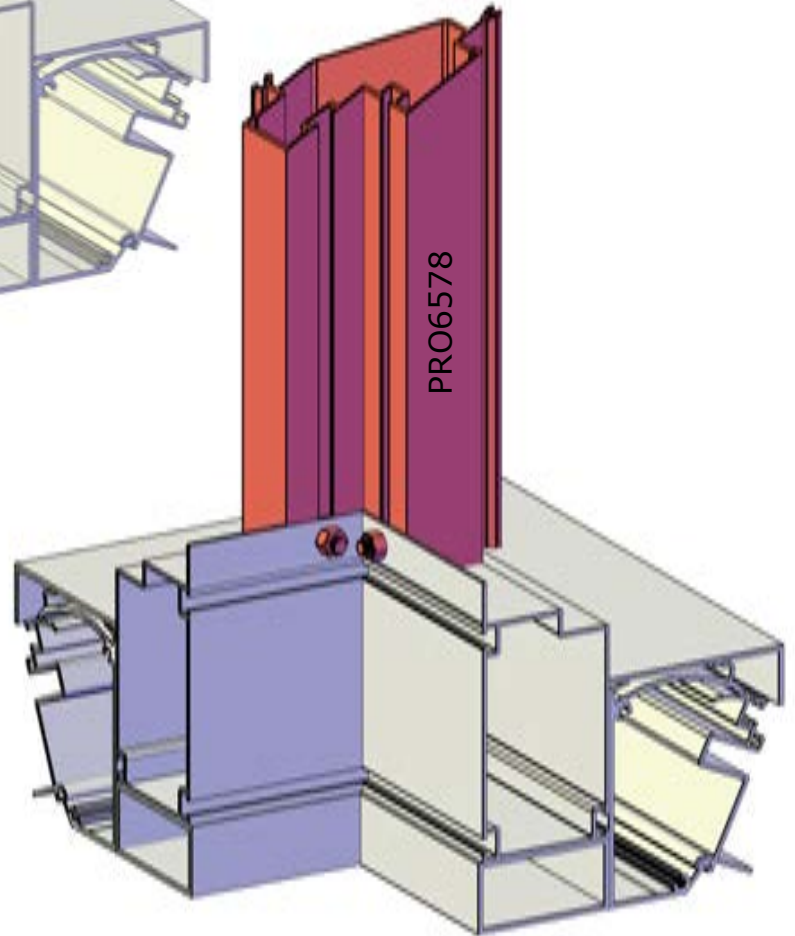
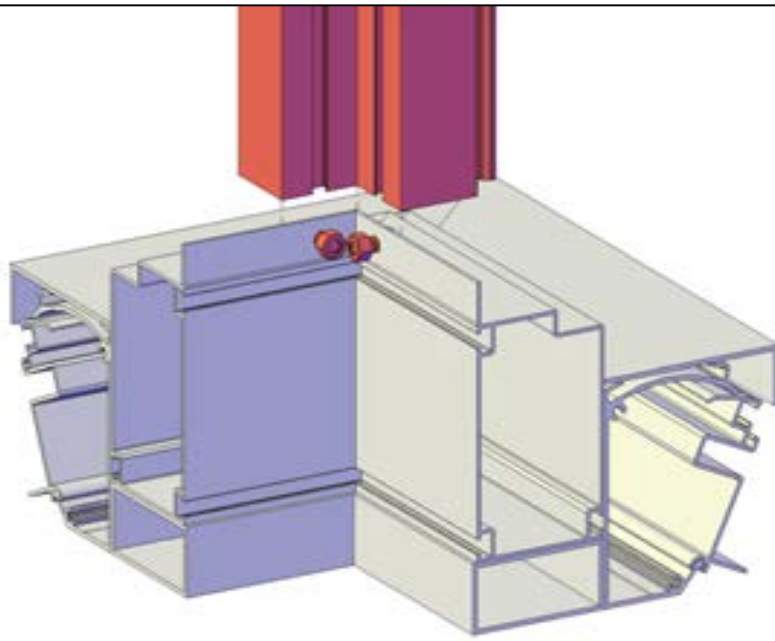
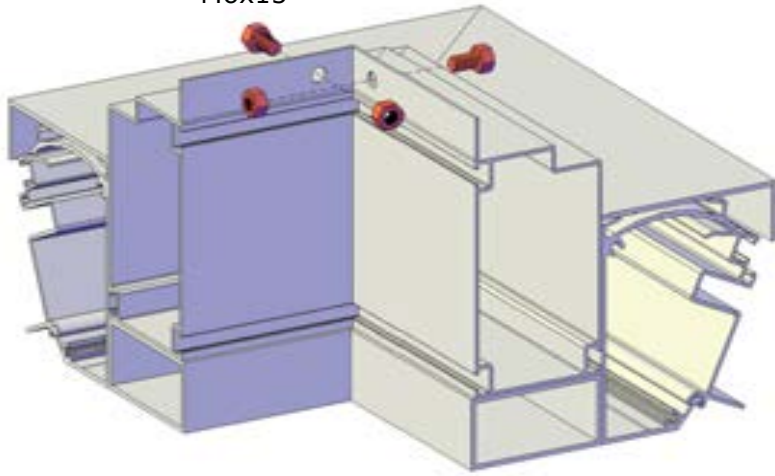


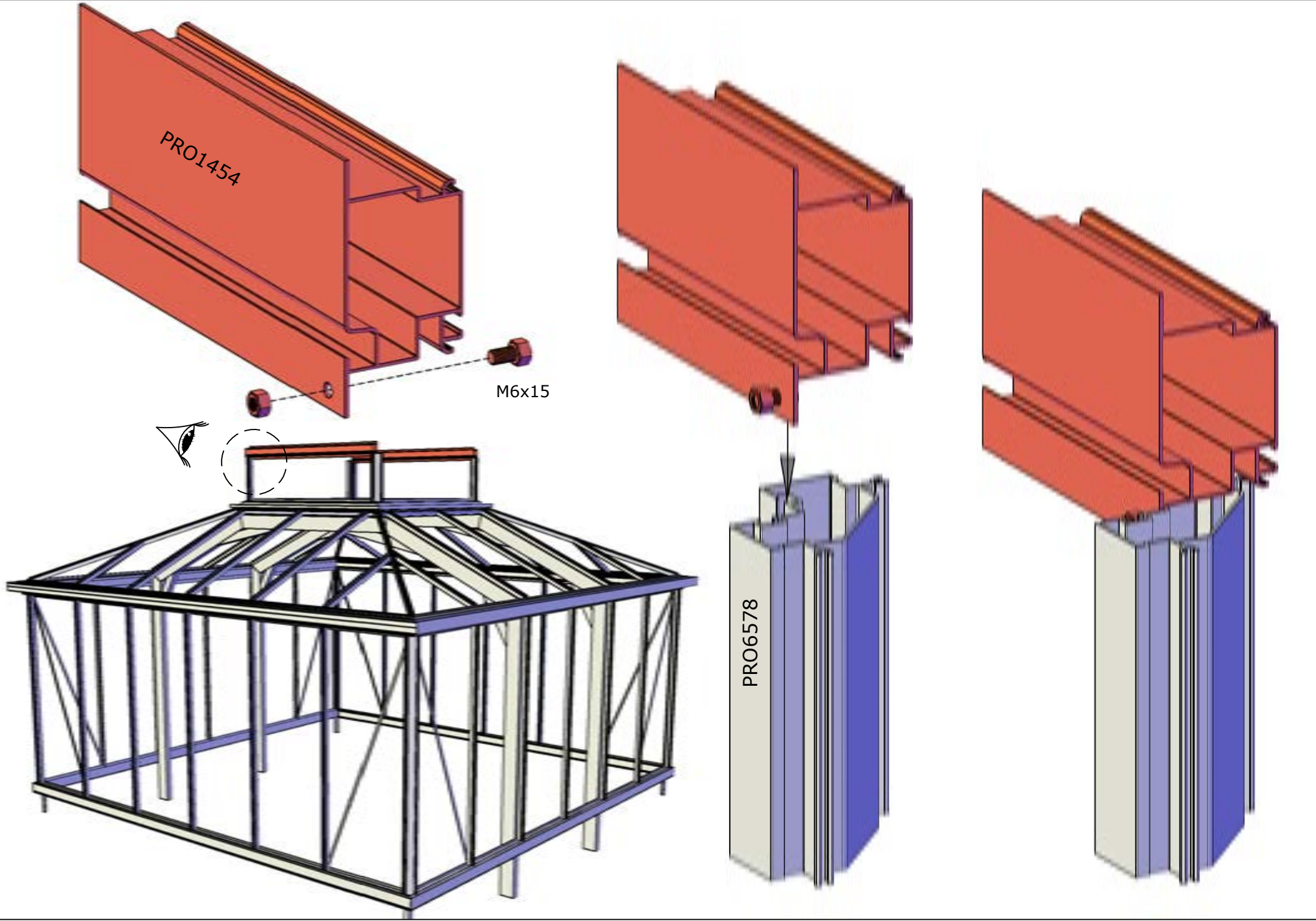




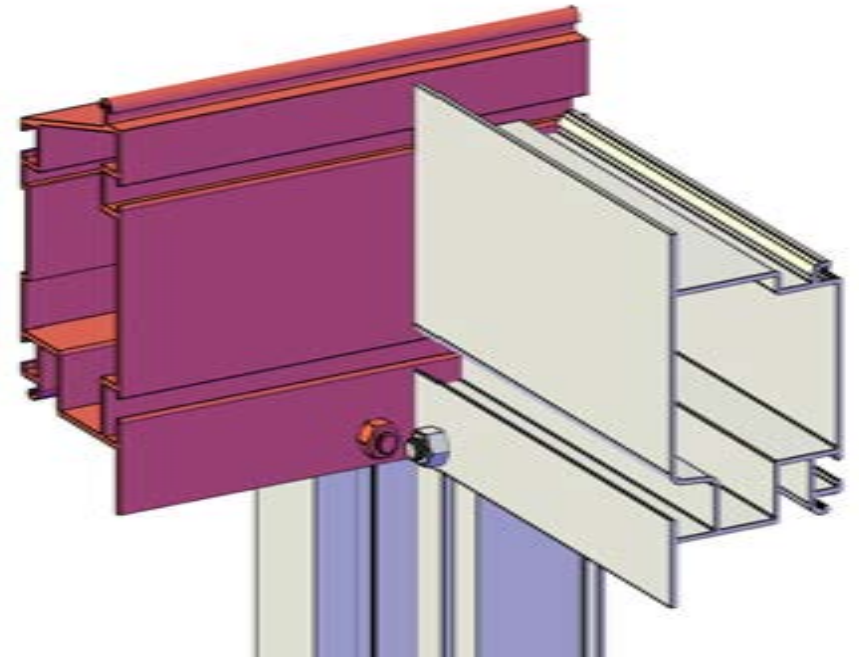
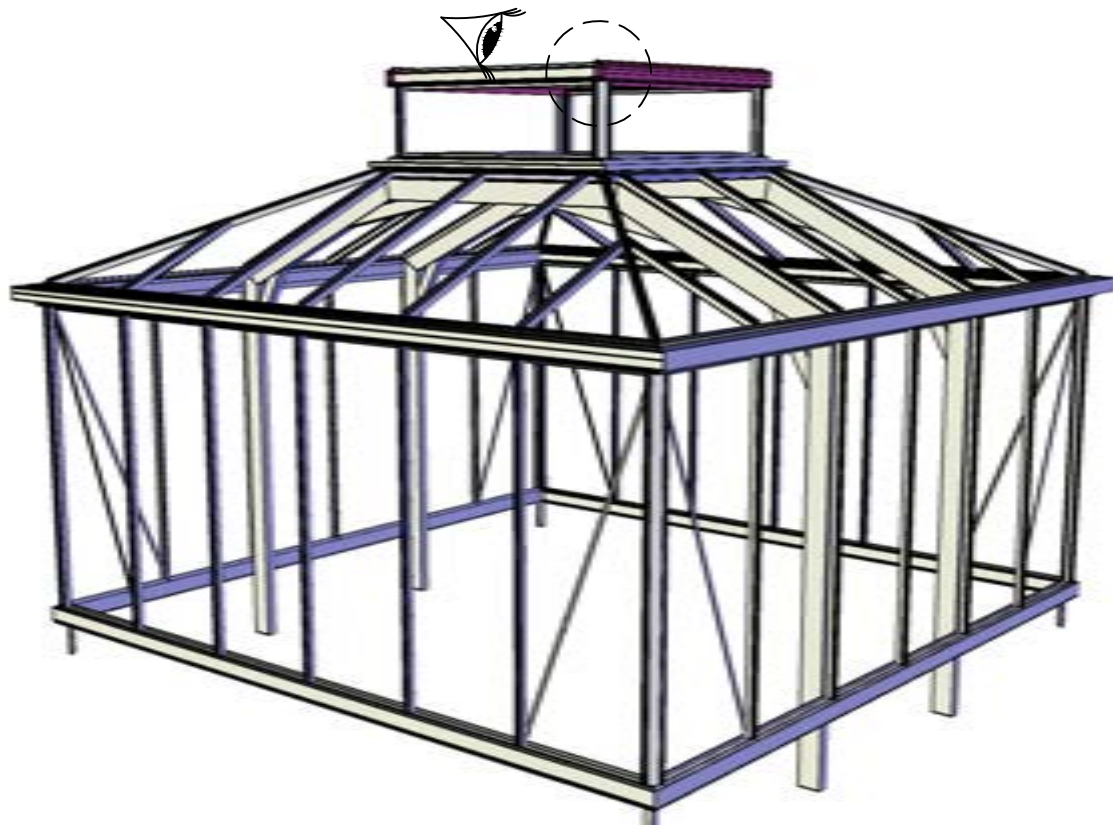
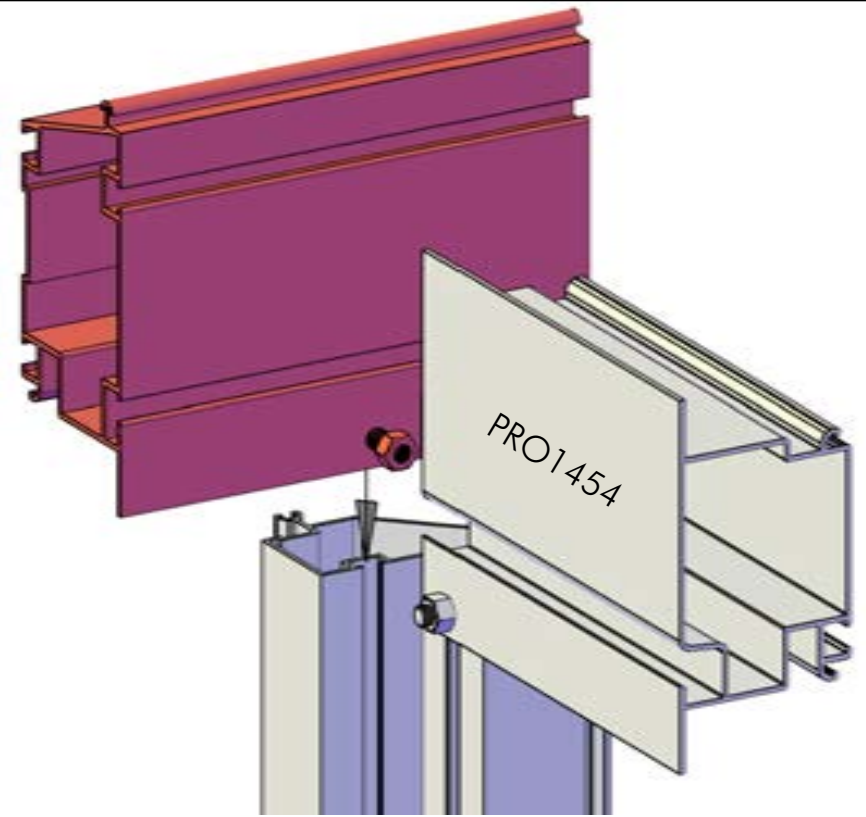
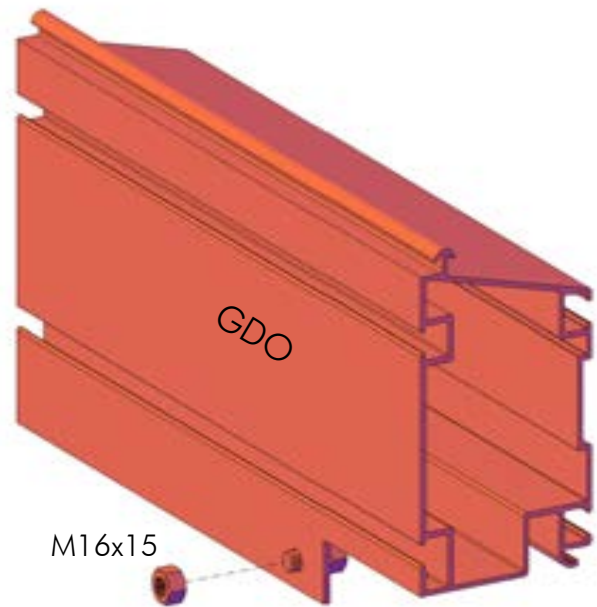


M6x15

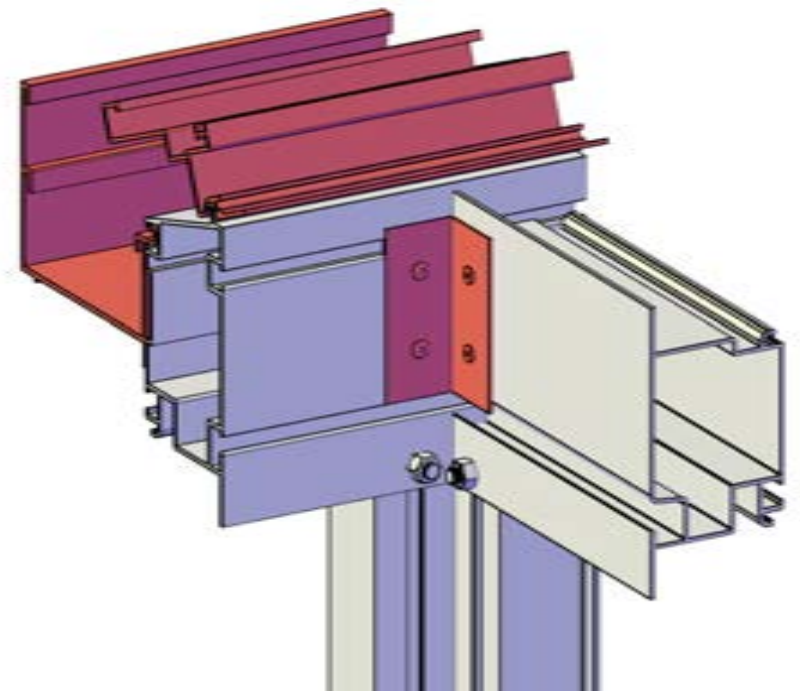
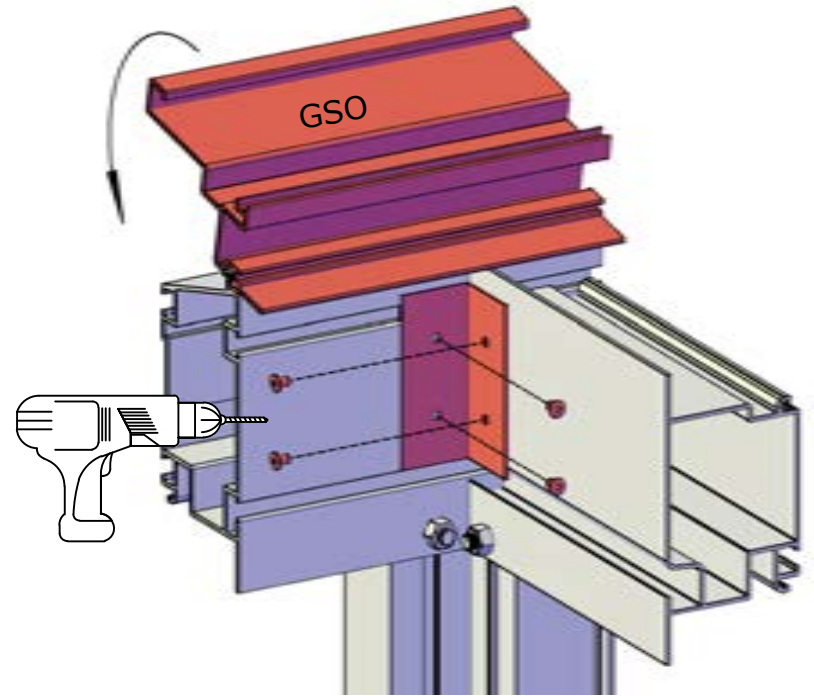
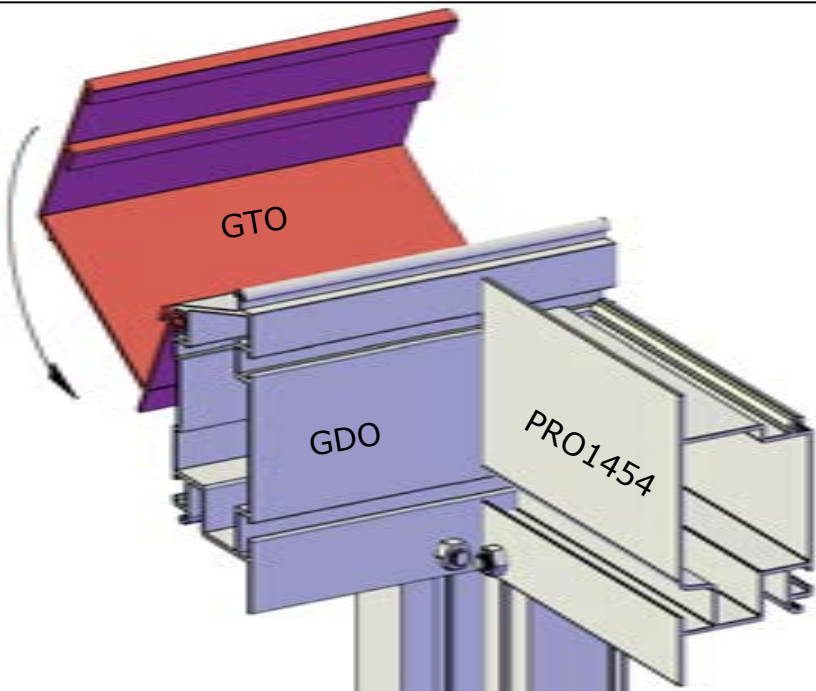


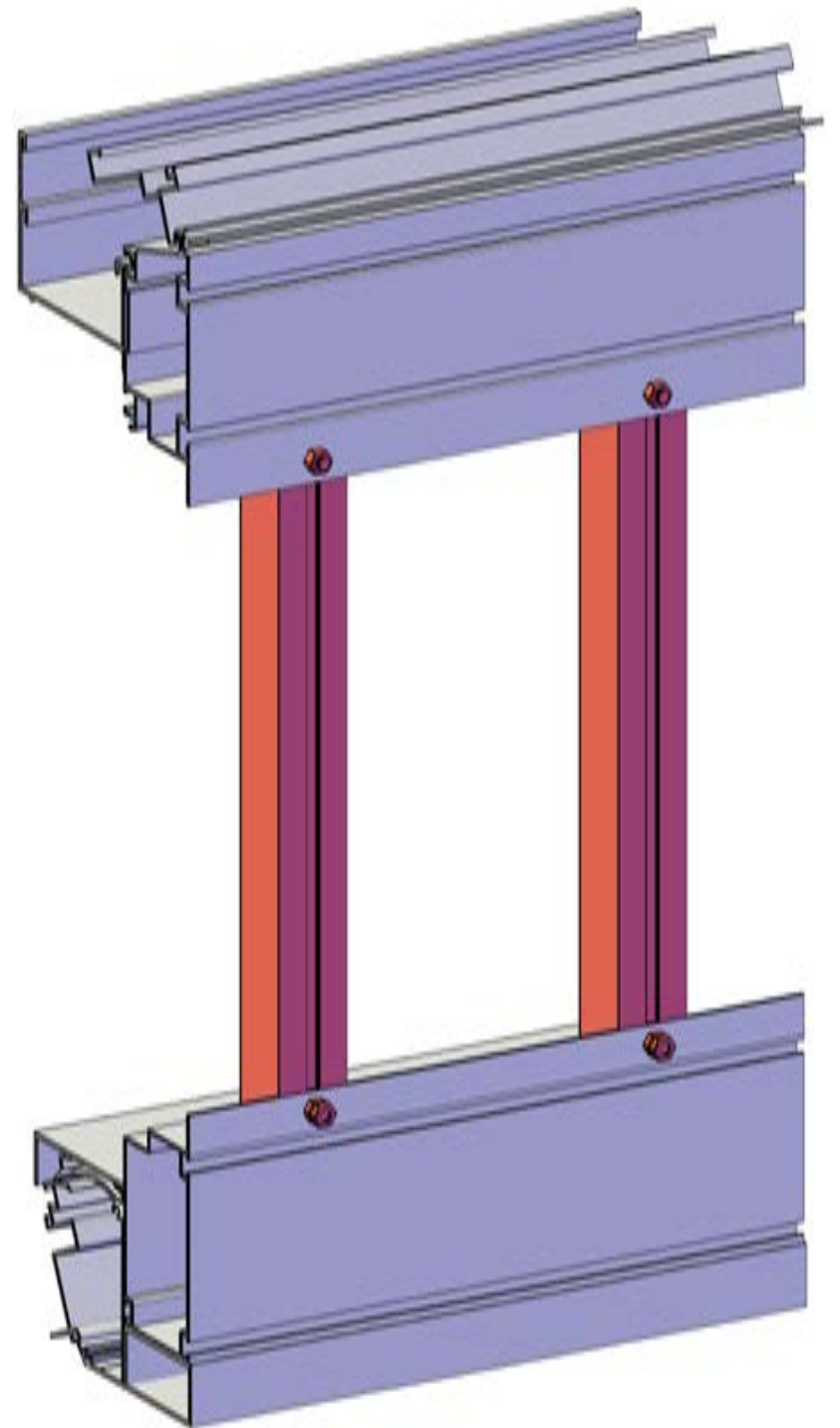
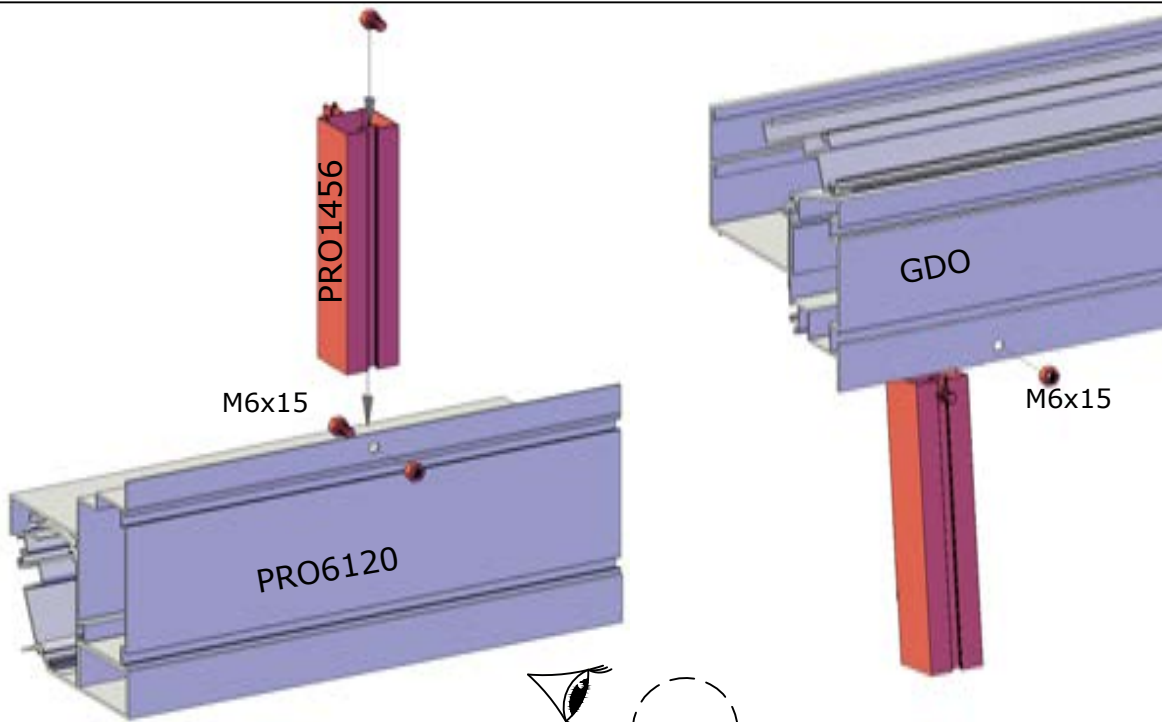




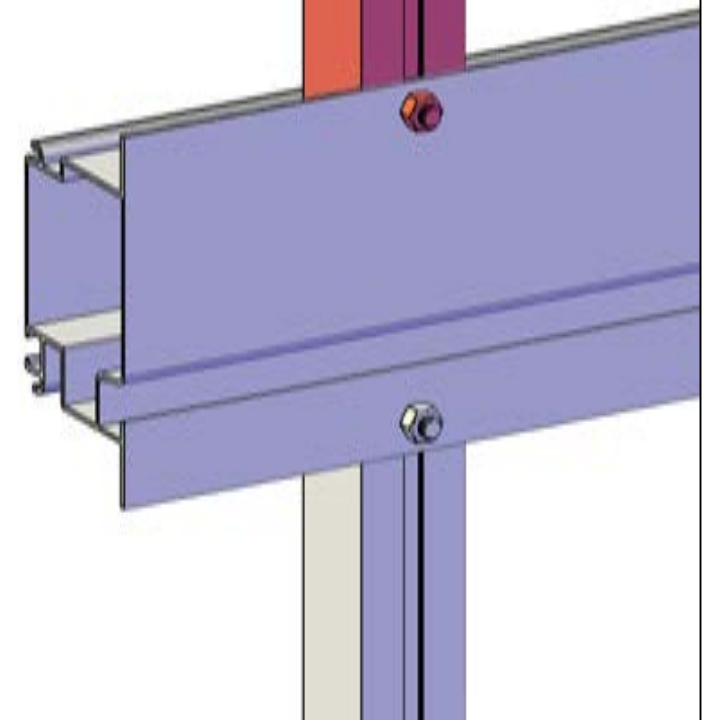
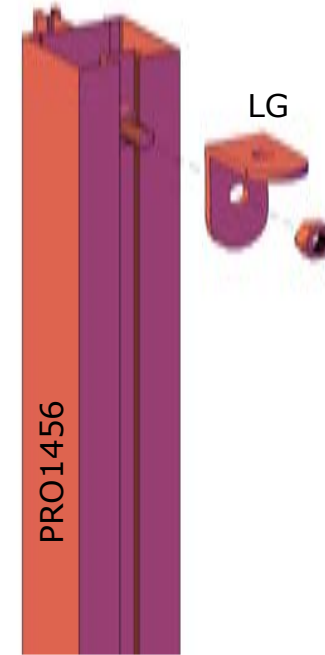
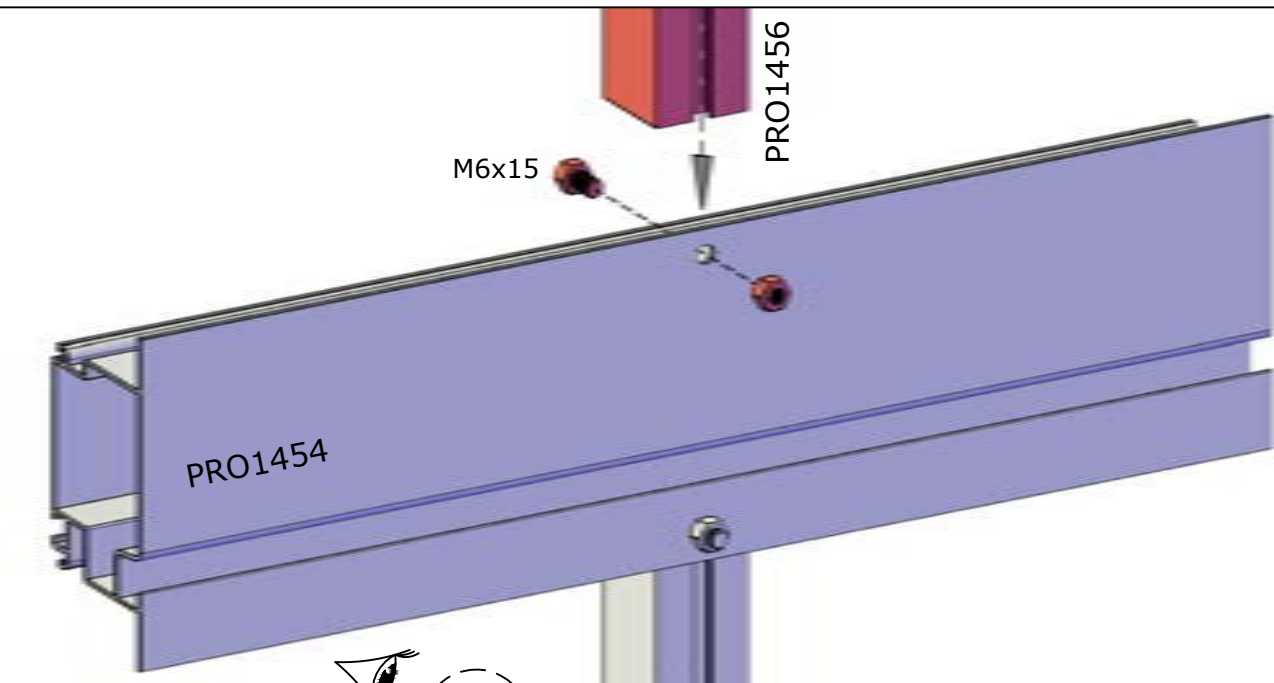


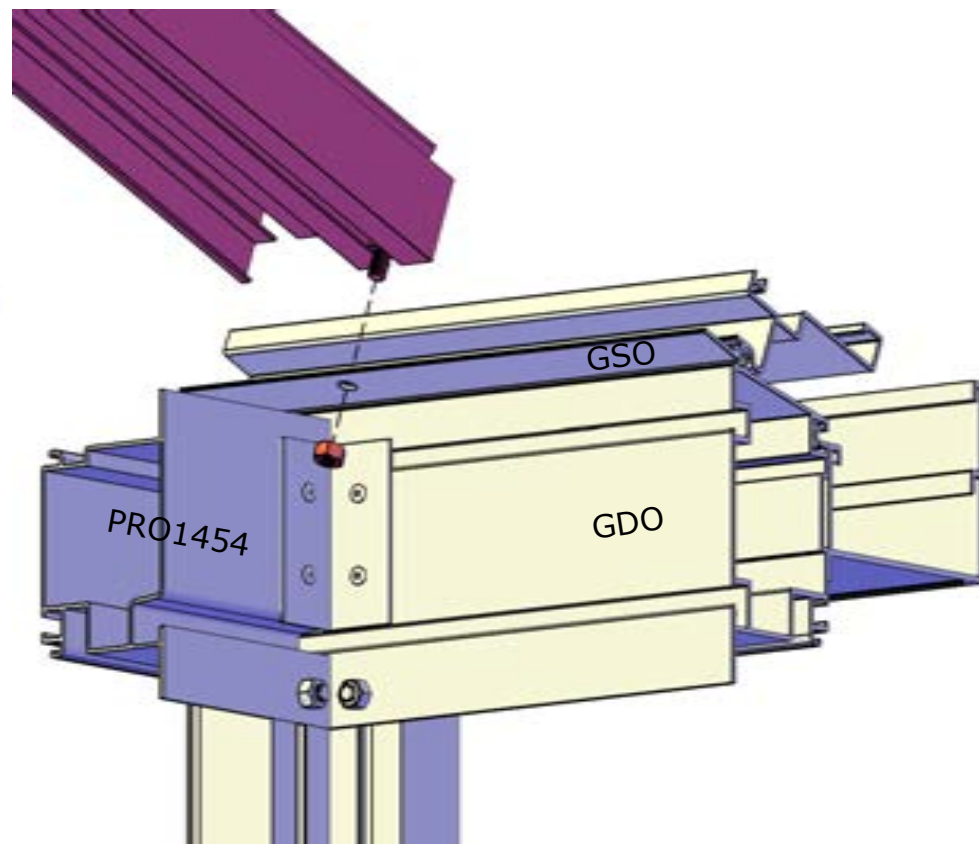
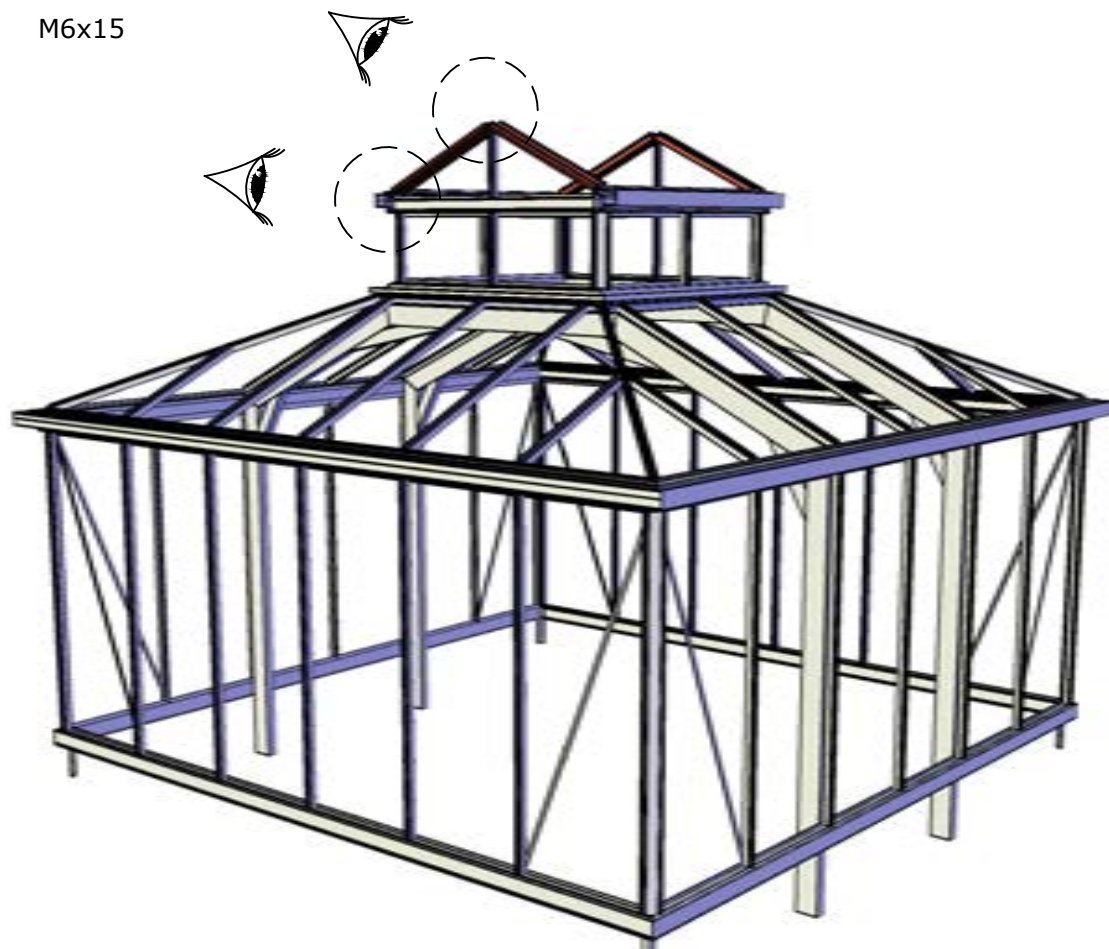
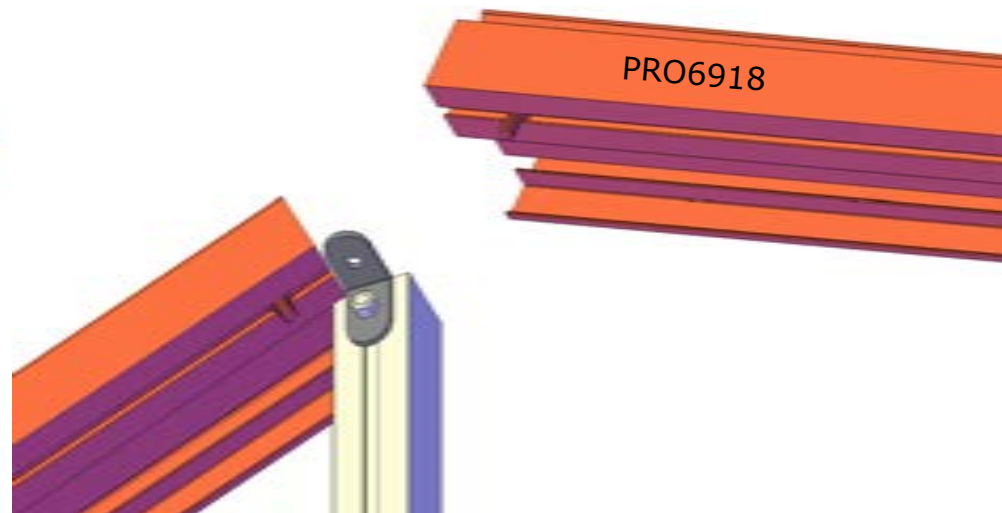
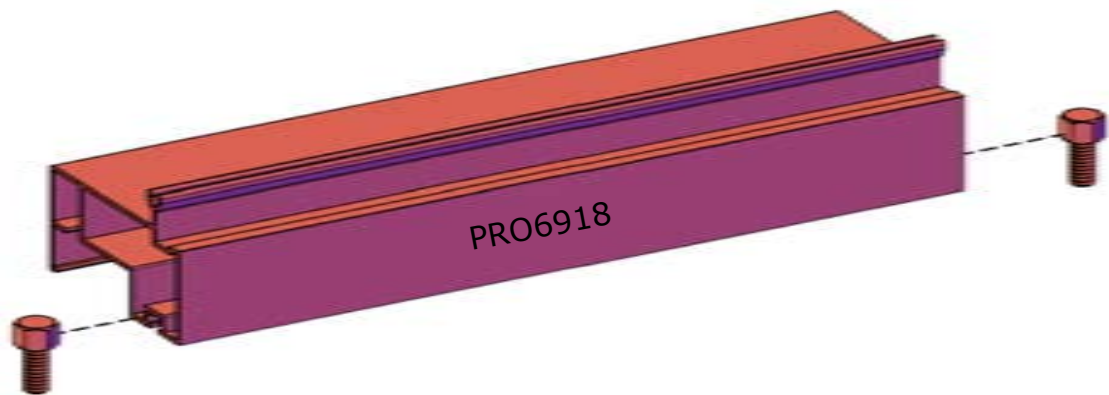




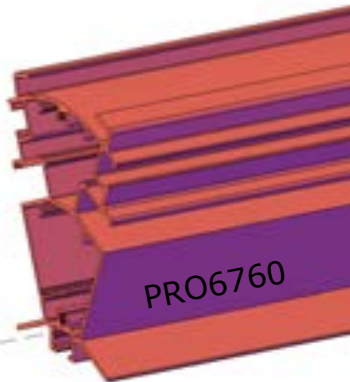




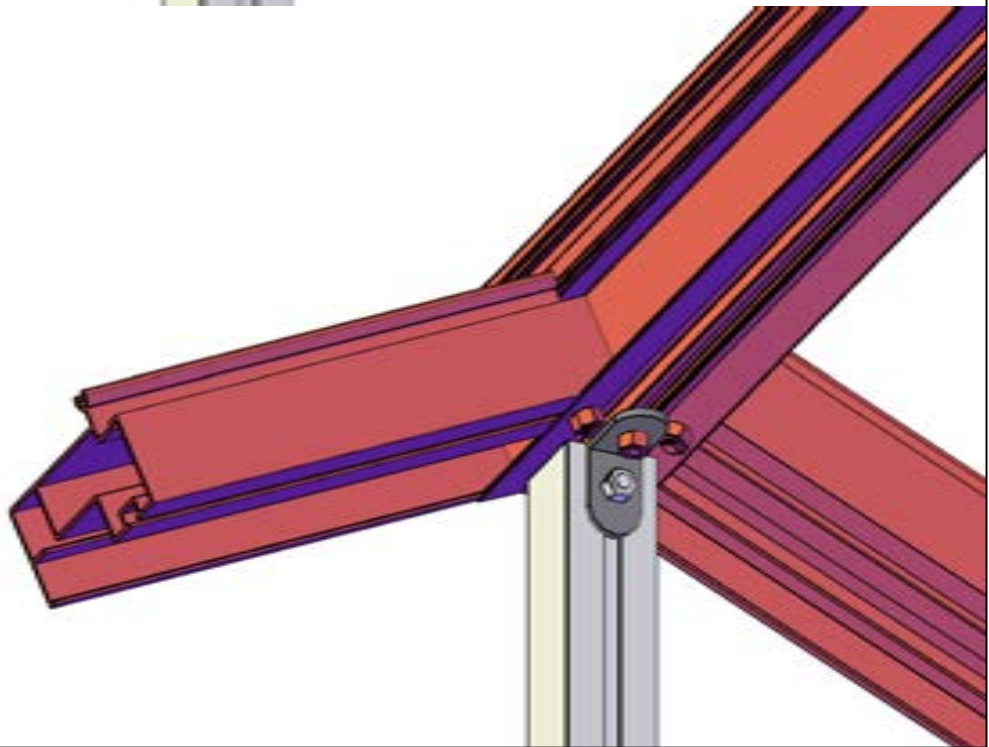
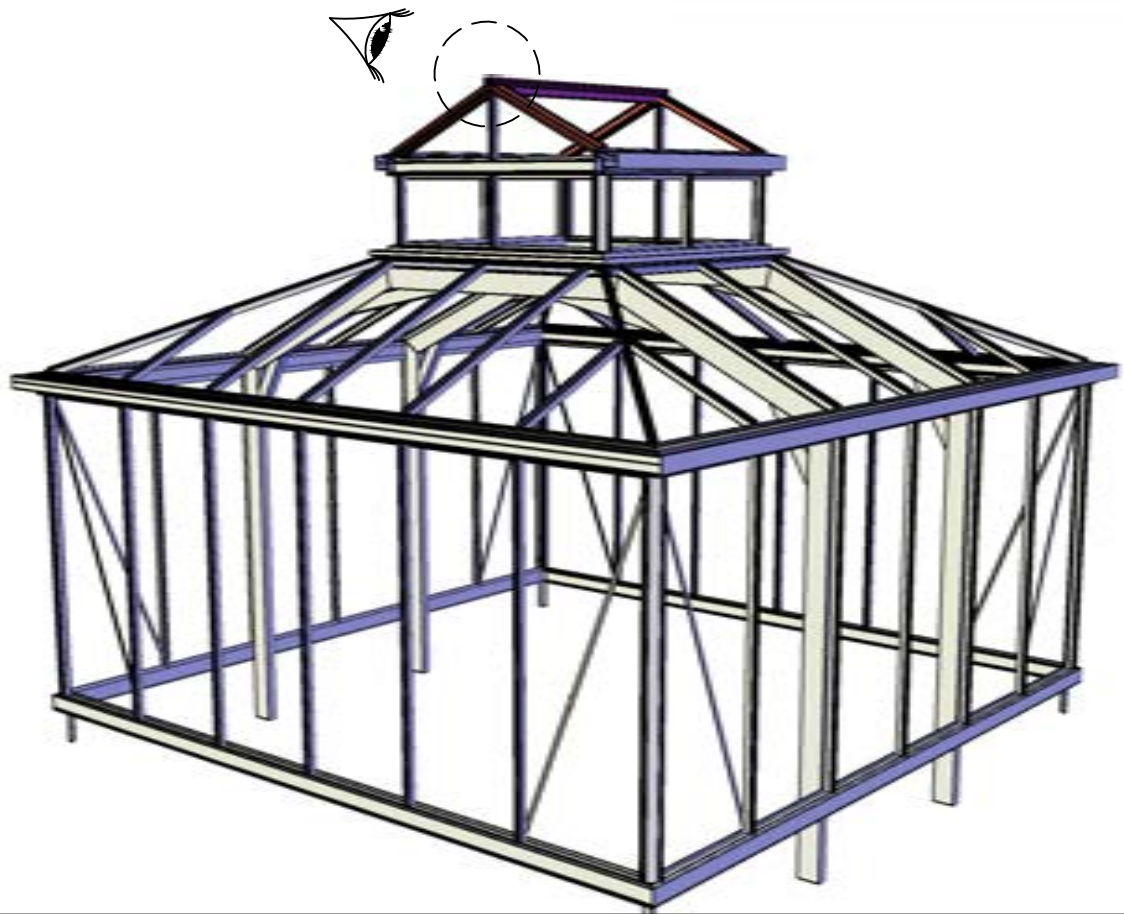
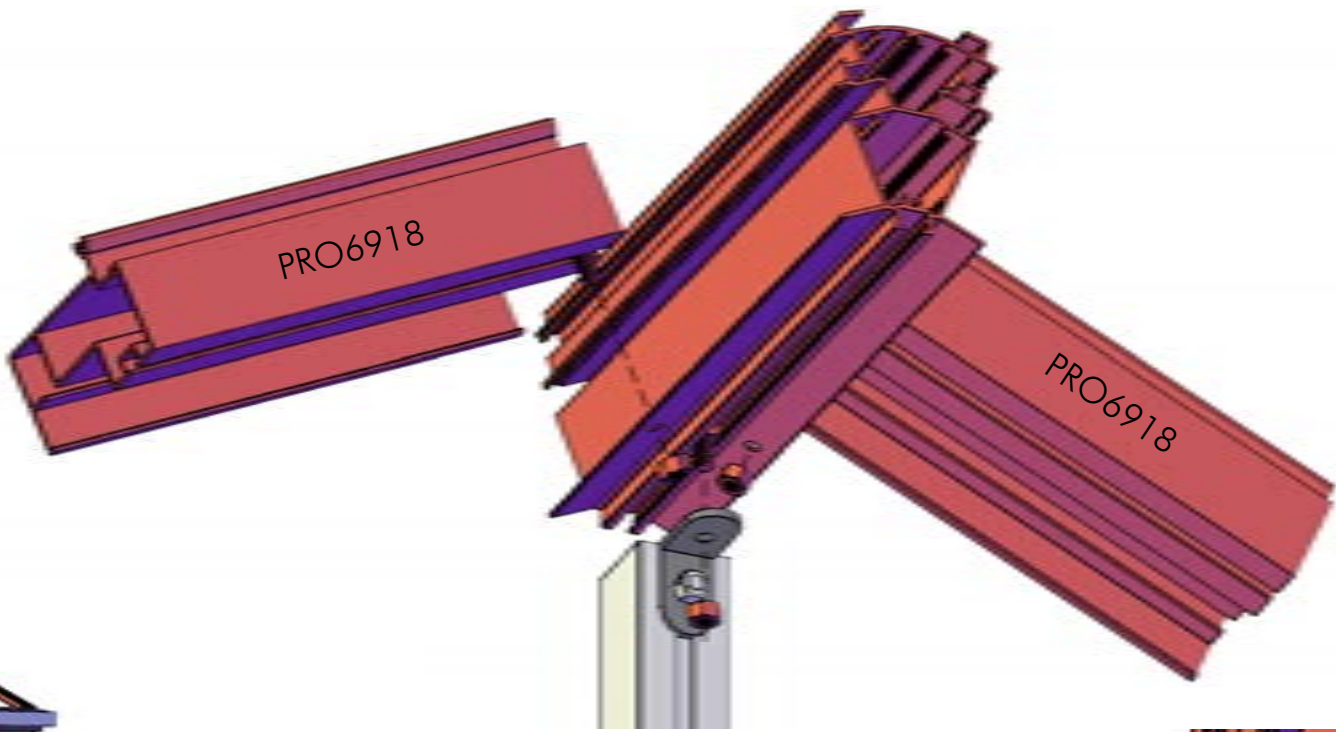


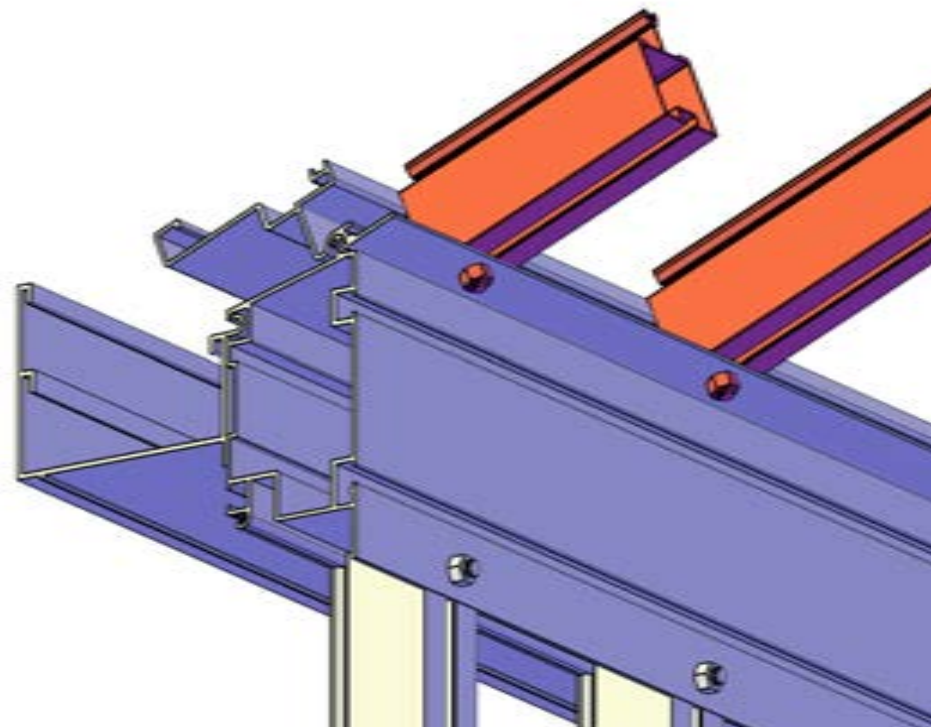
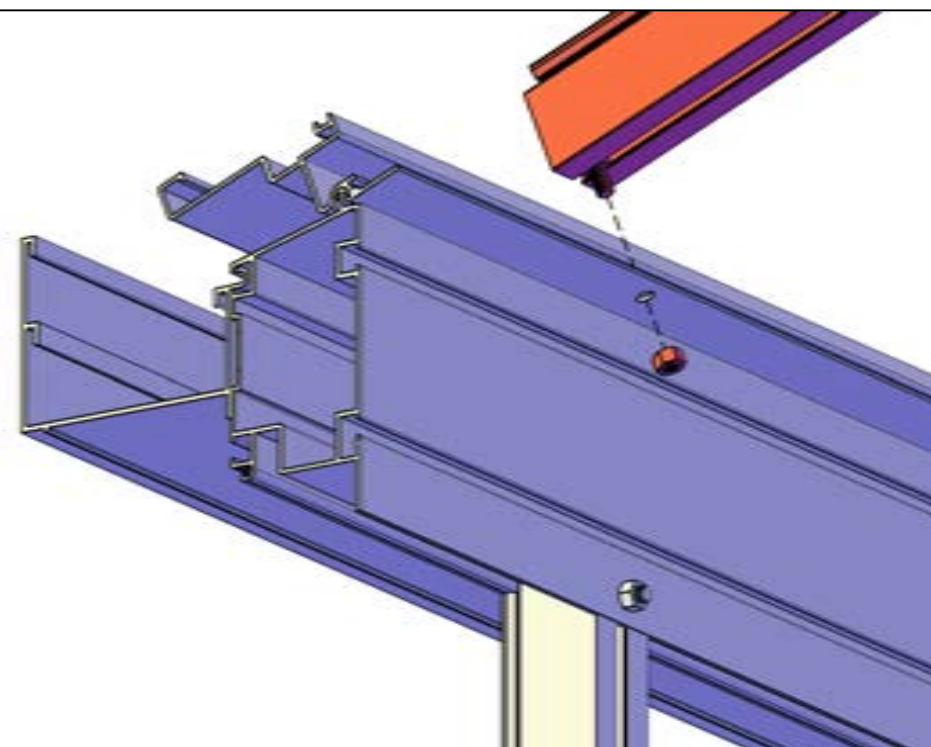
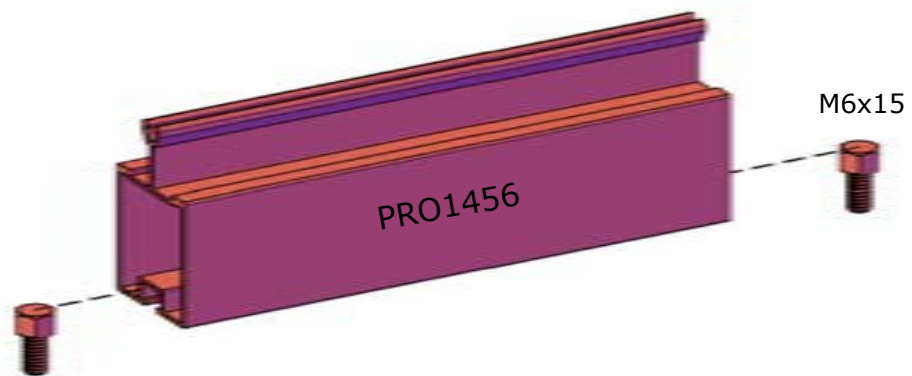




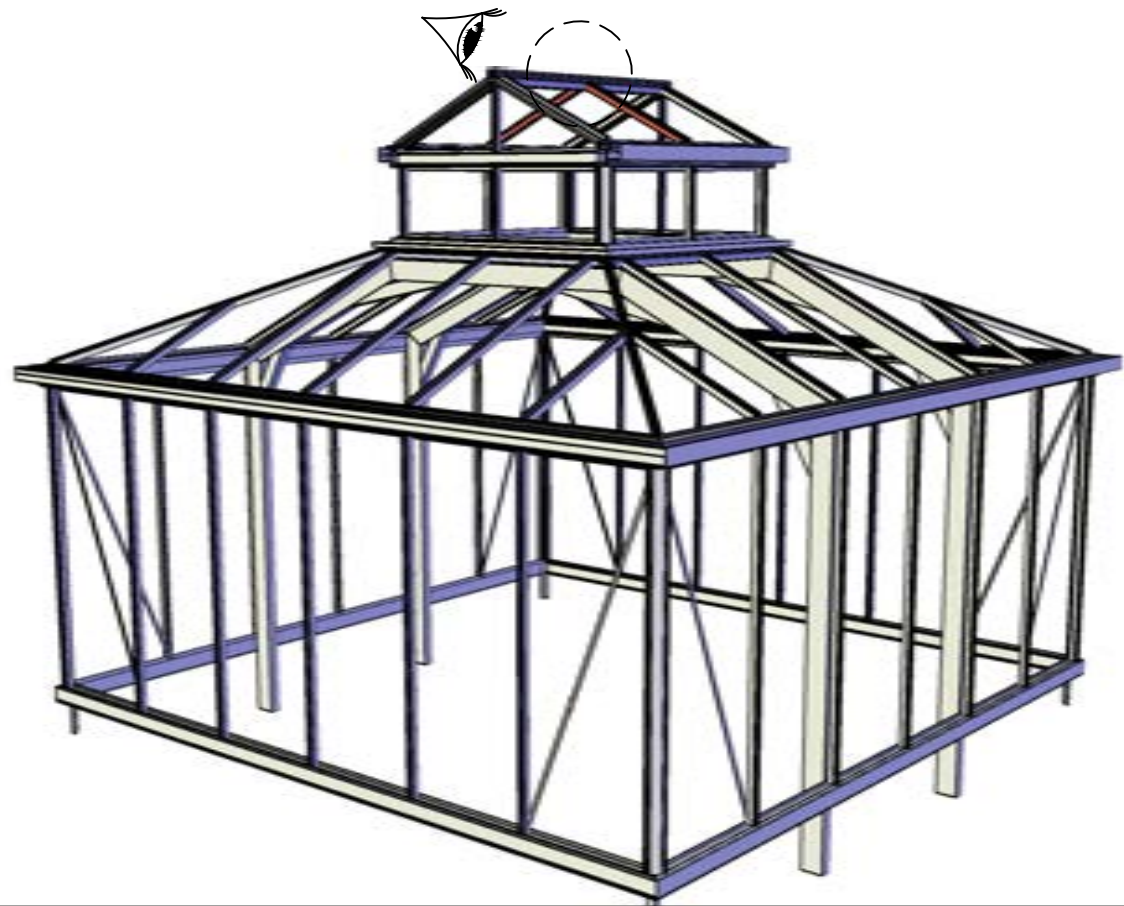


M6x15

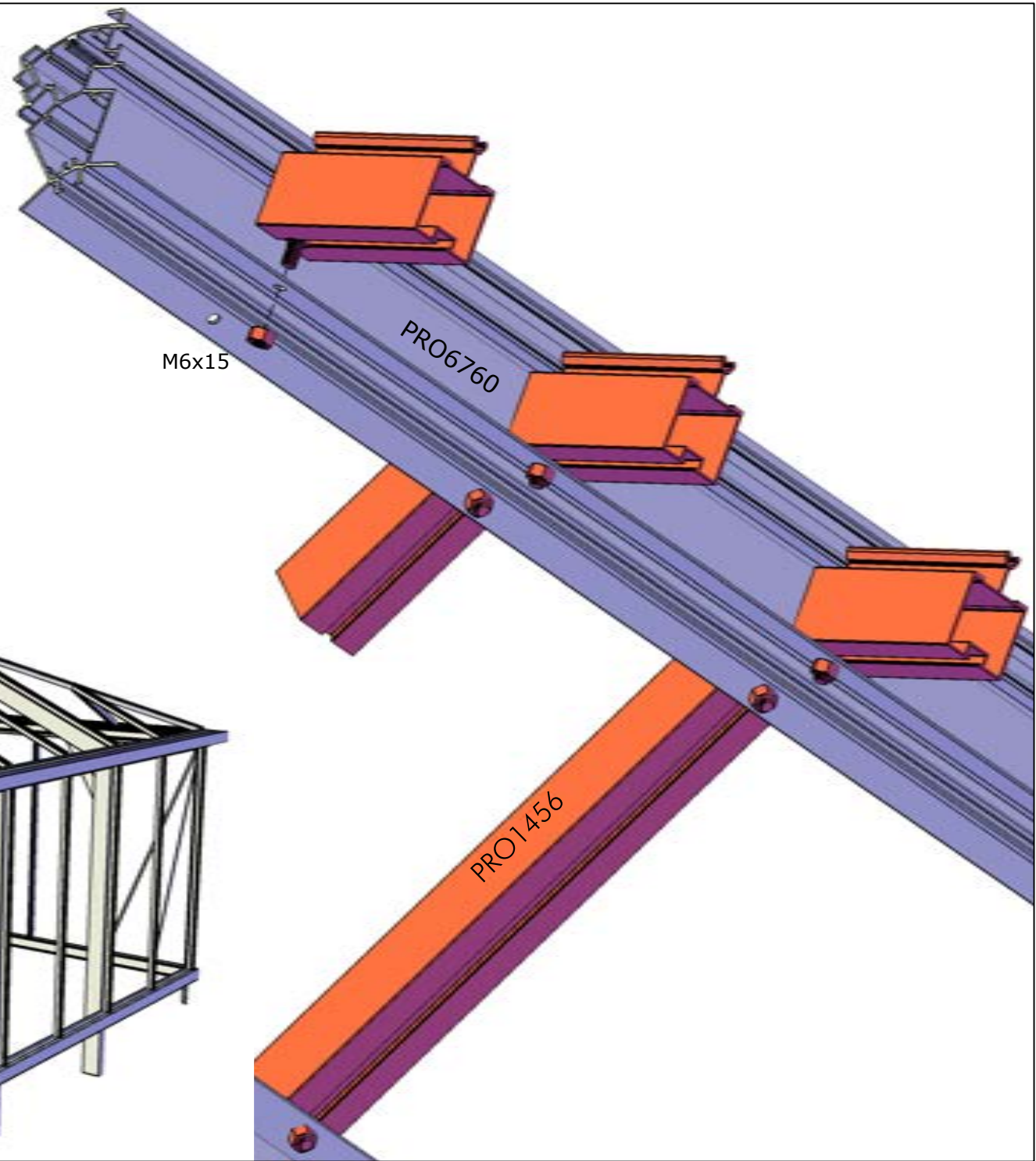


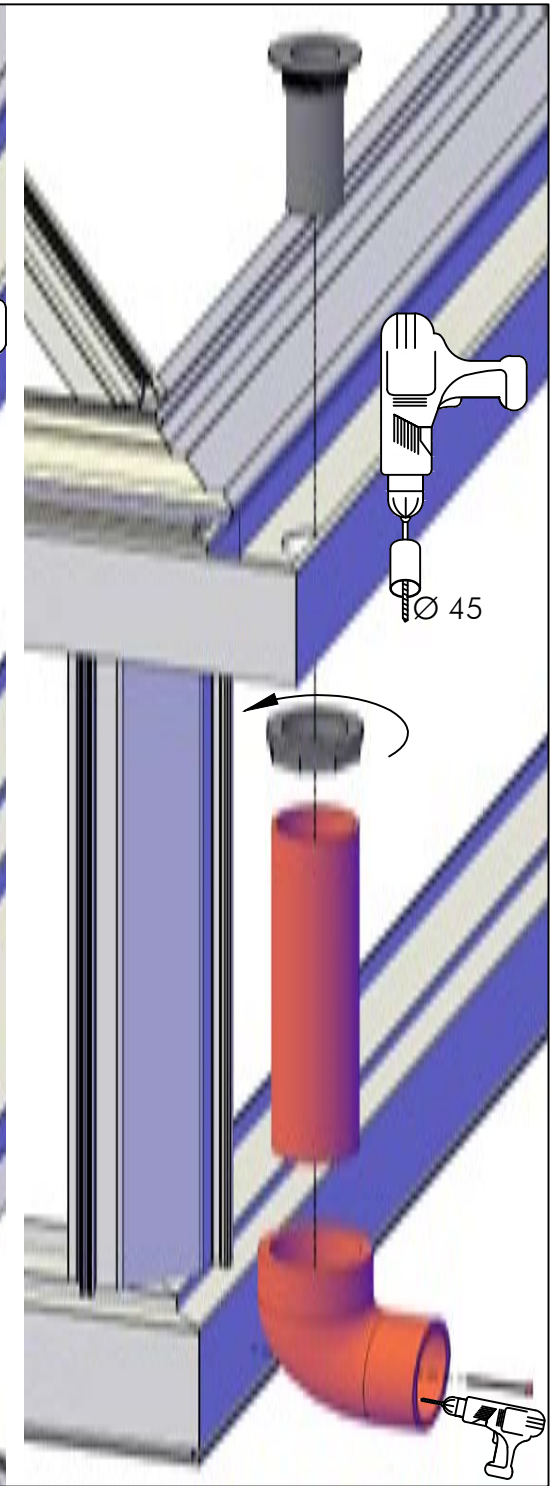
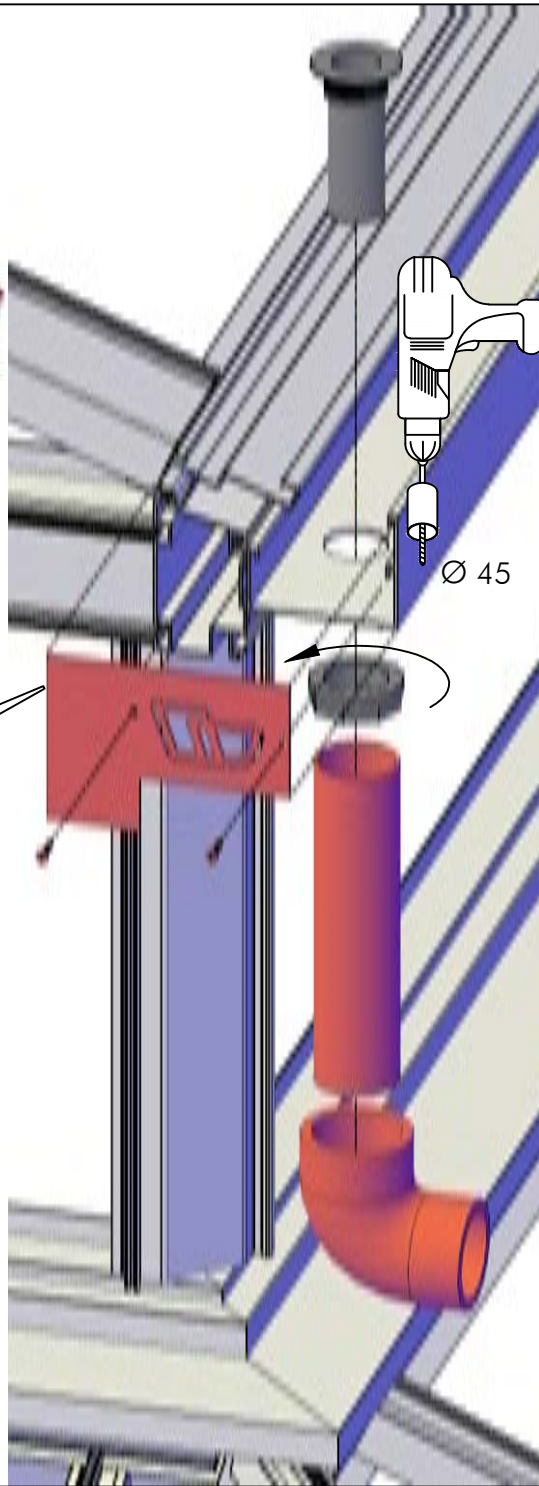
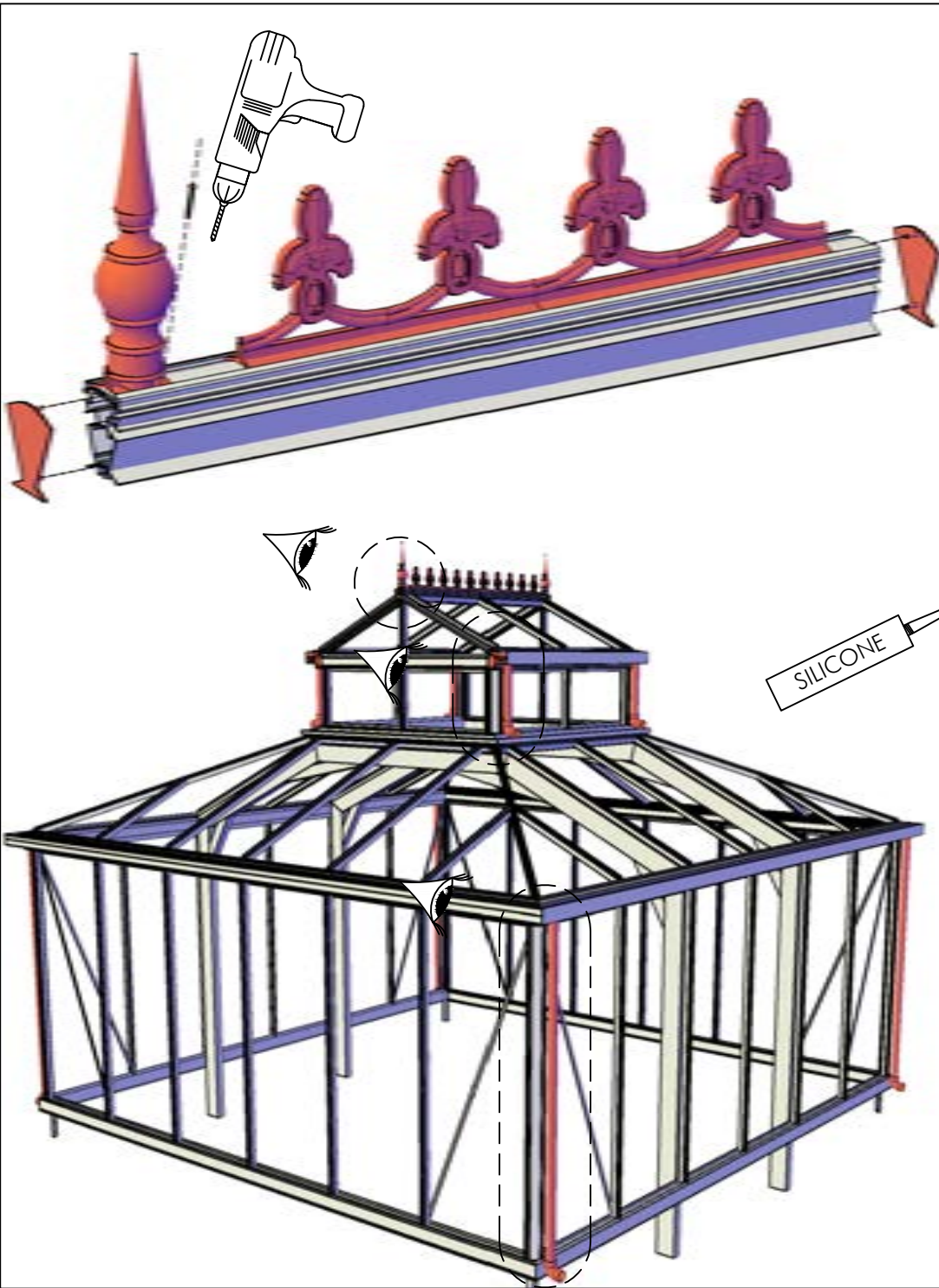




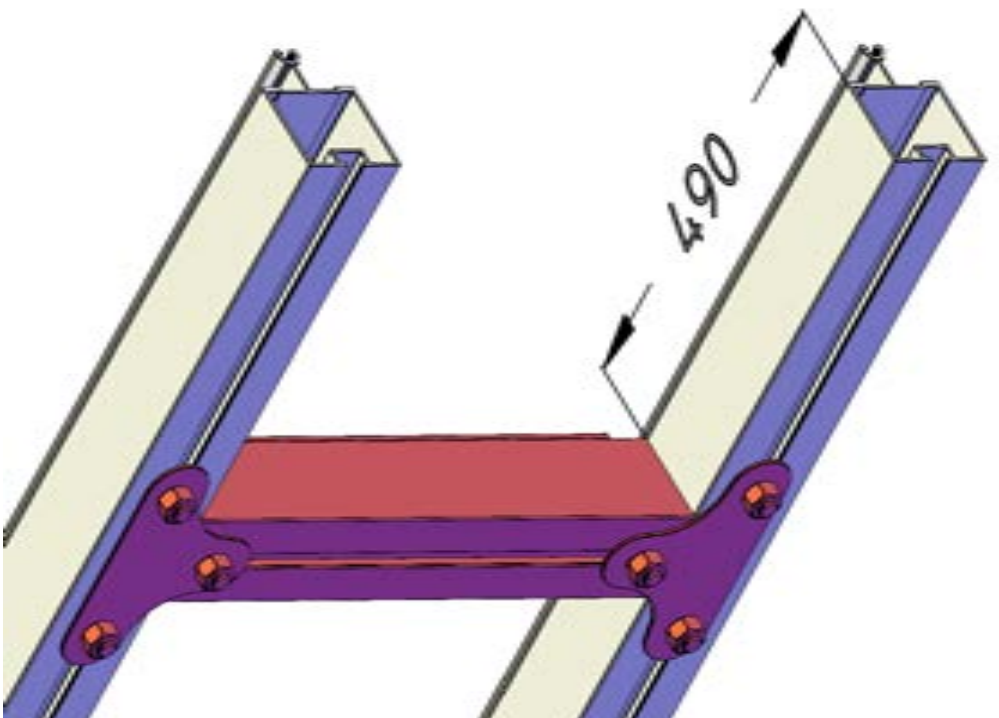
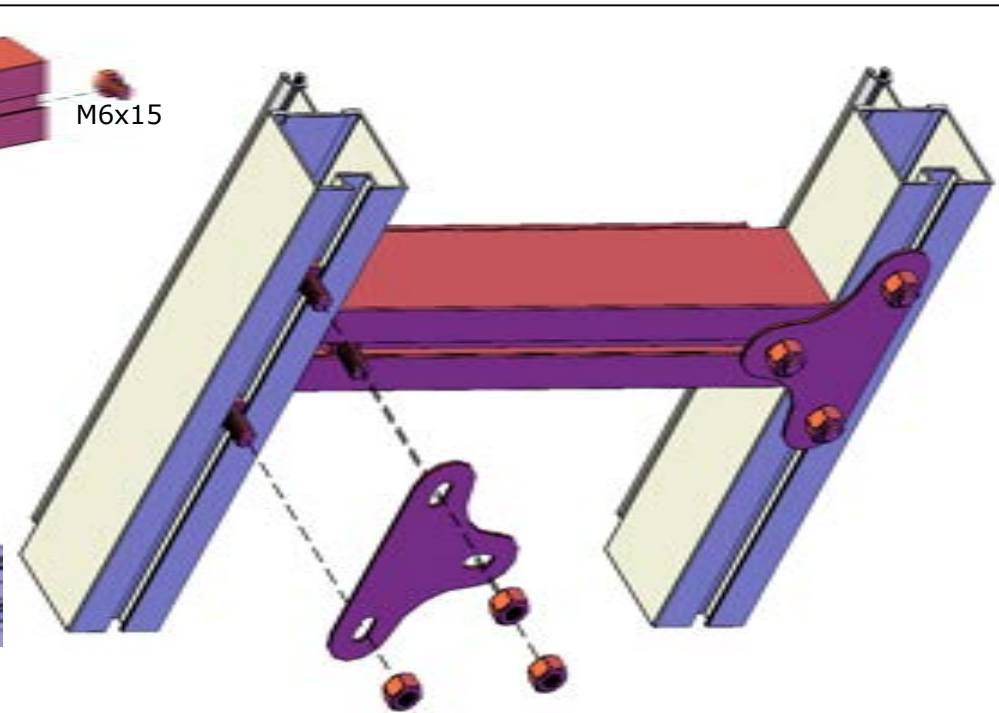
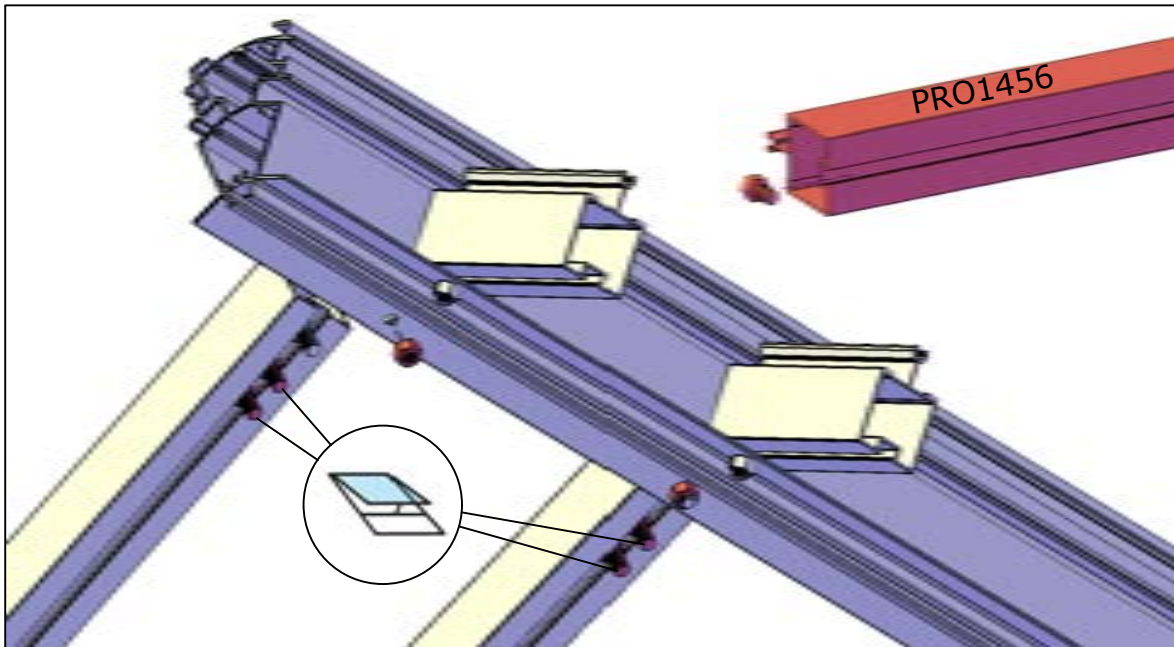


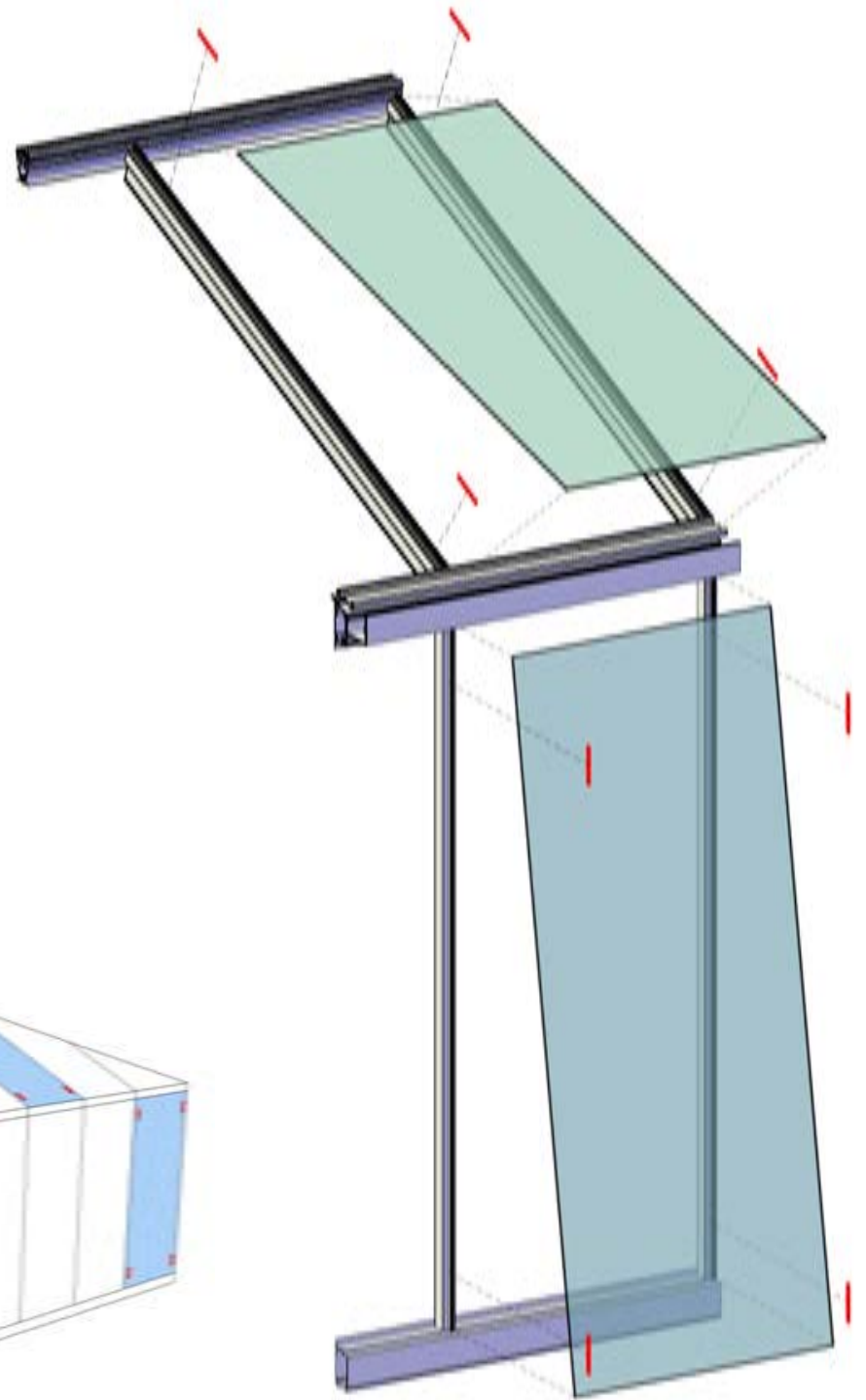
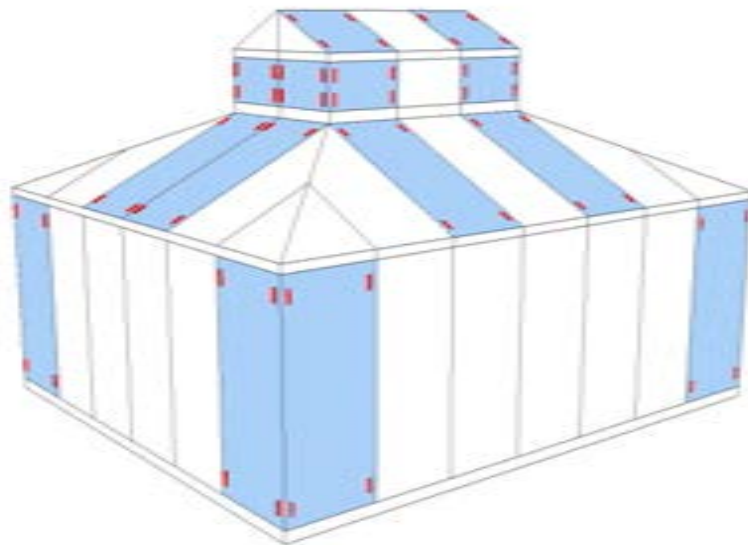
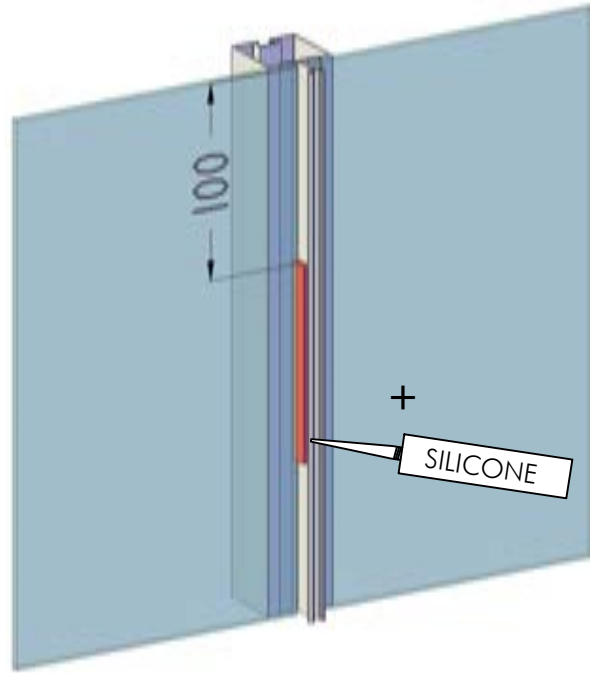
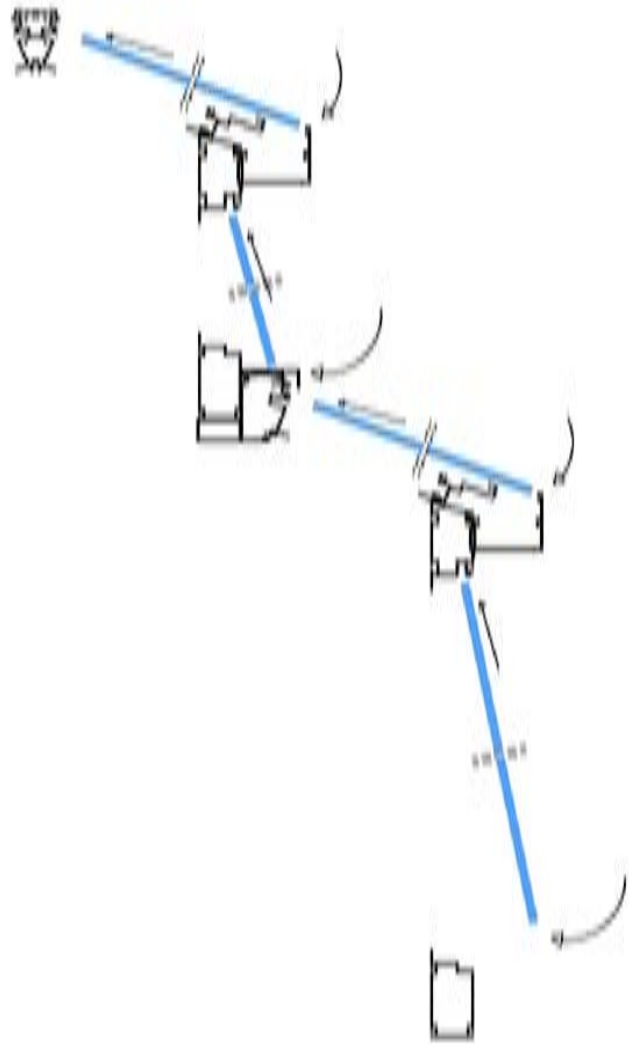
M6x15



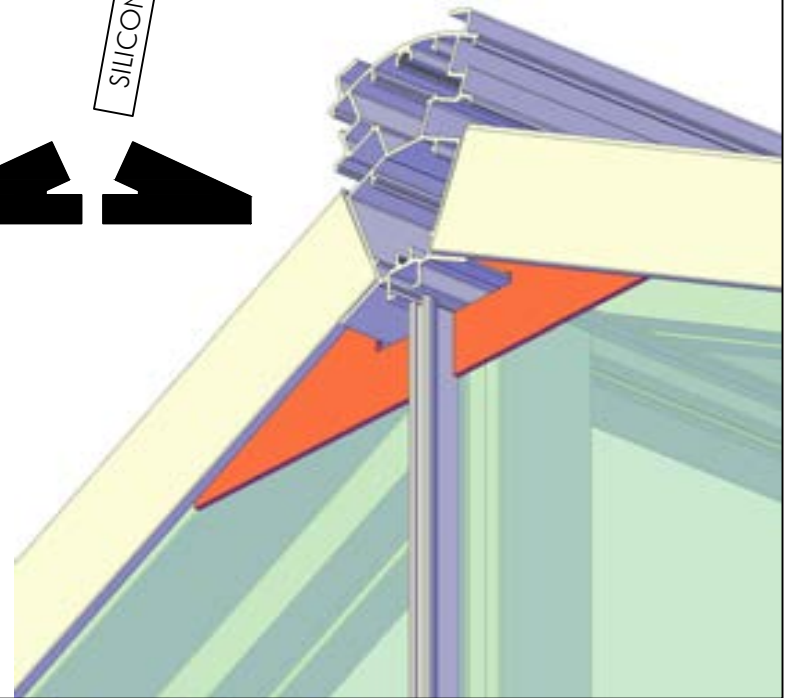
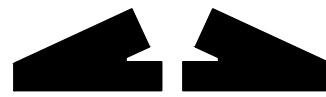
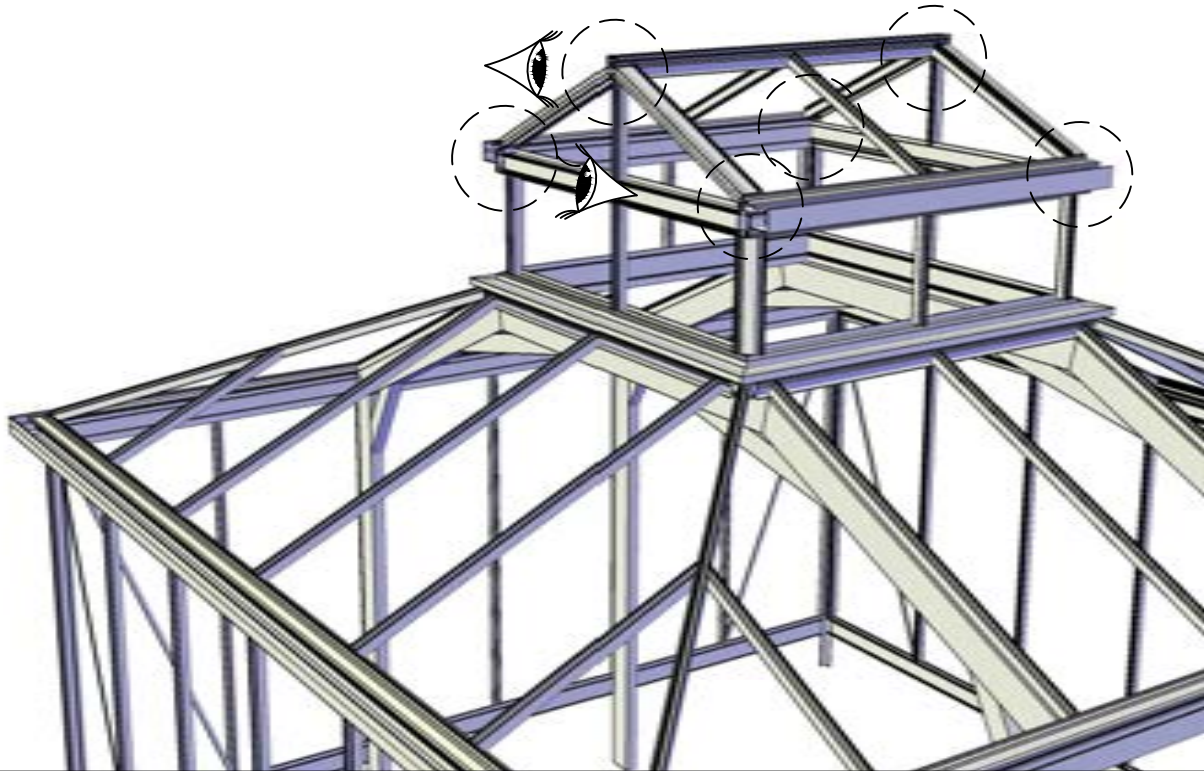
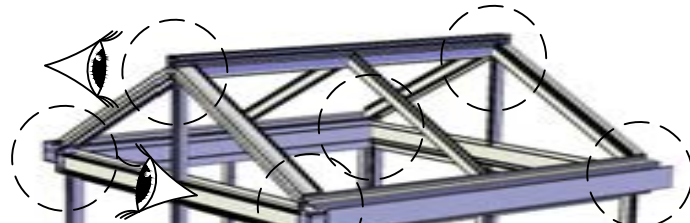
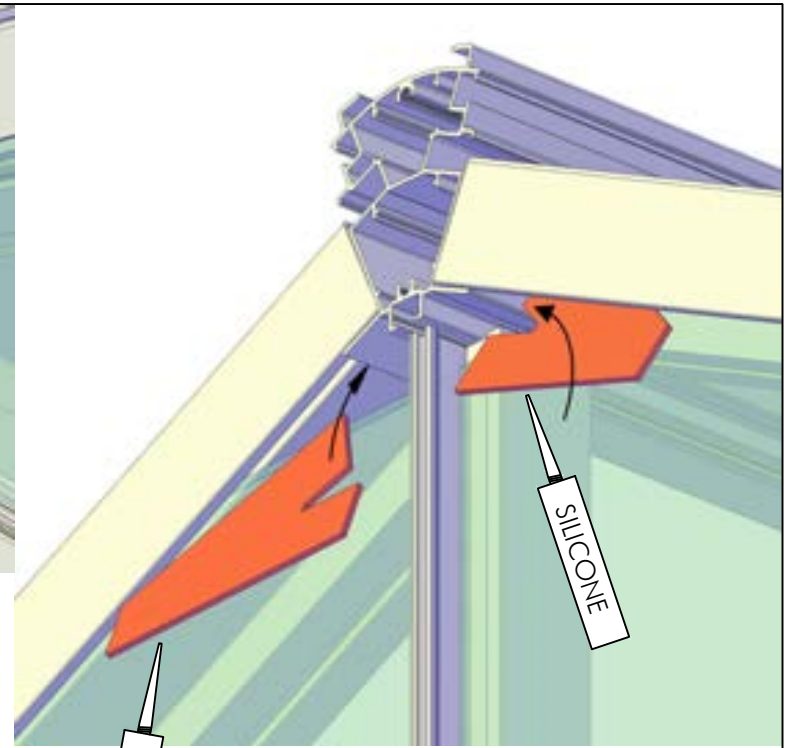
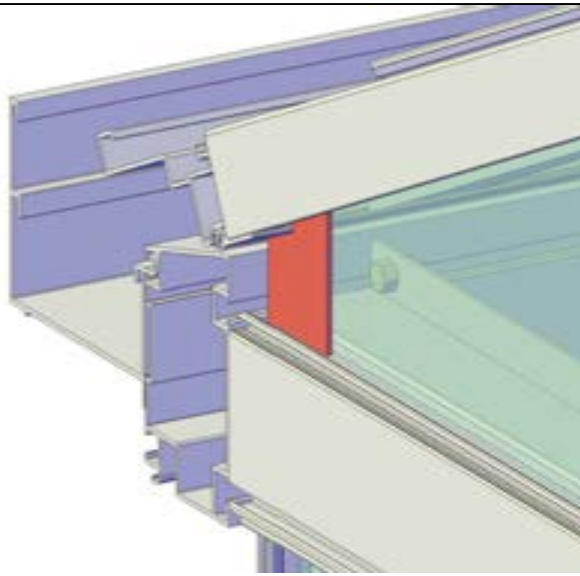
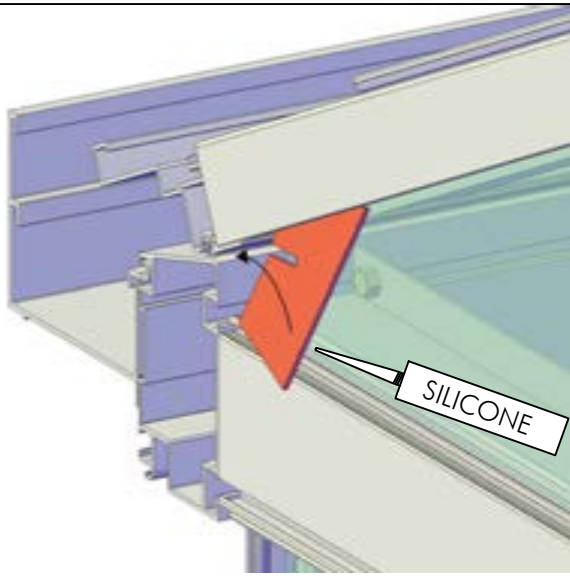
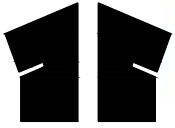


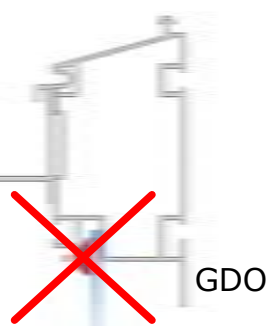
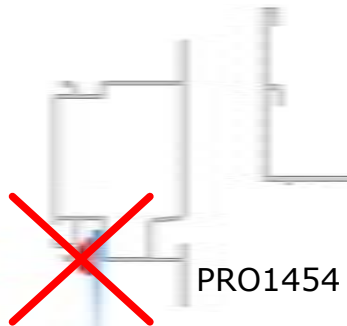
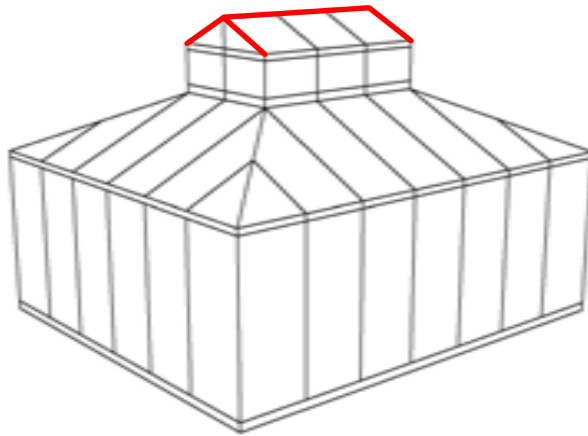
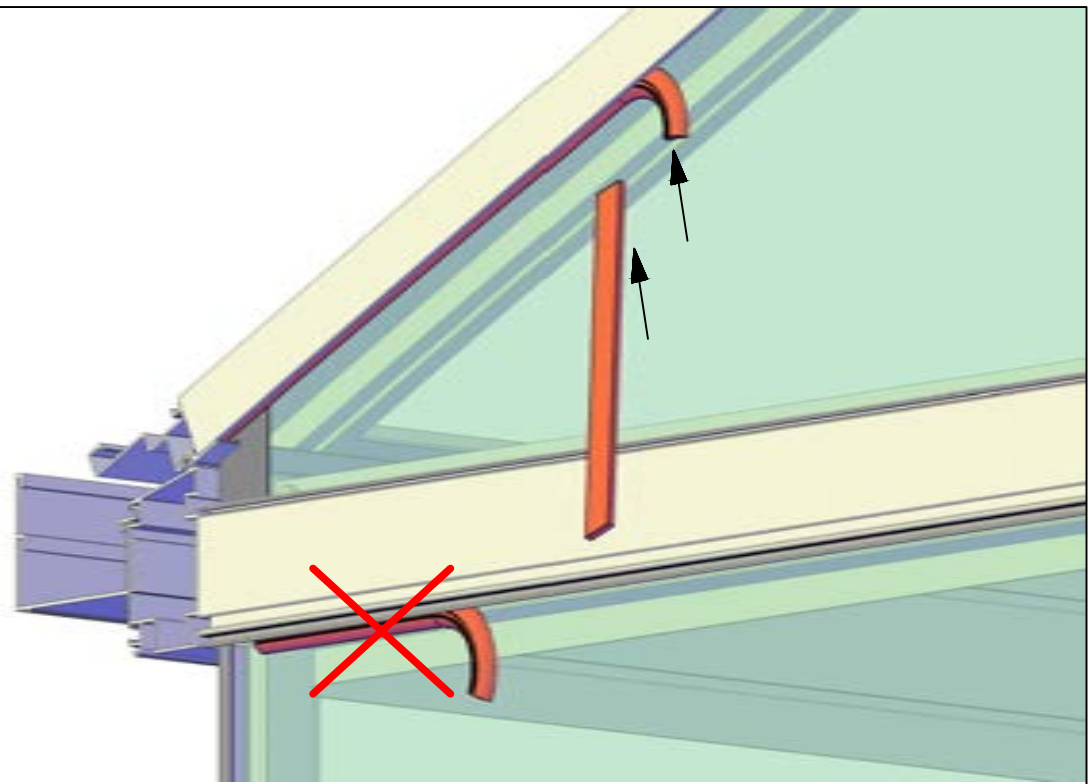
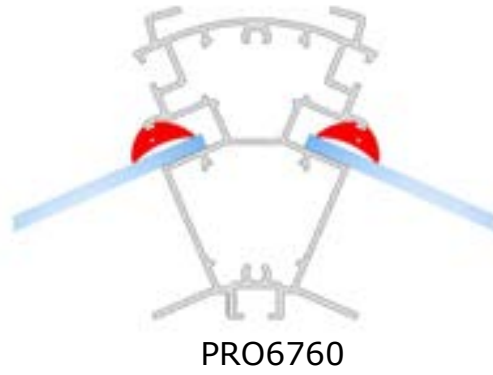
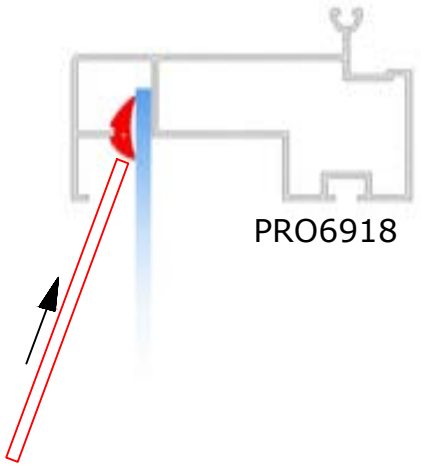




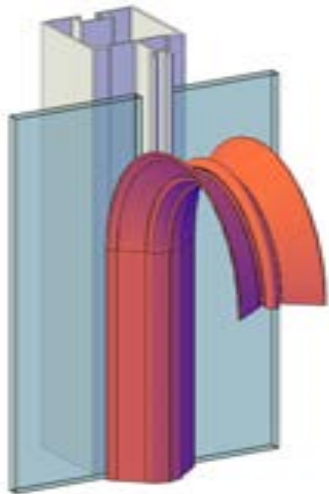
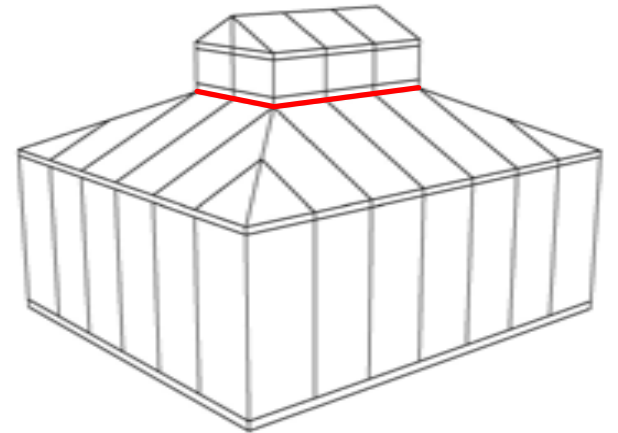
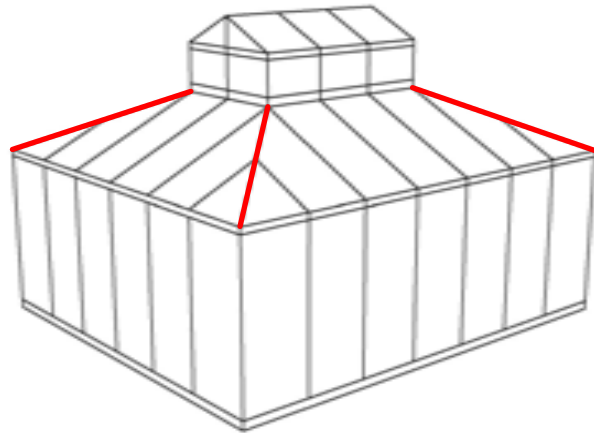
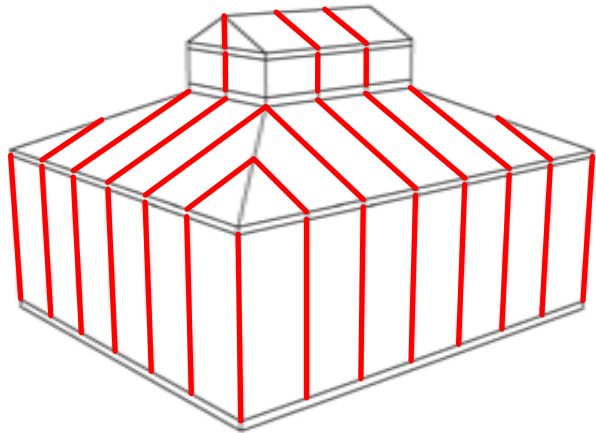




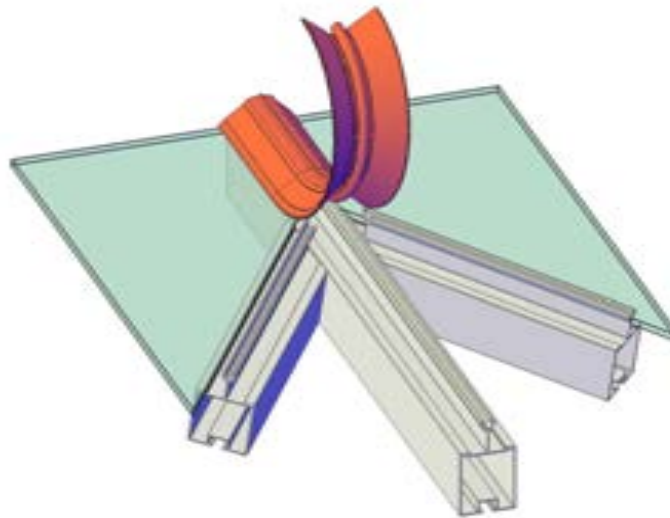




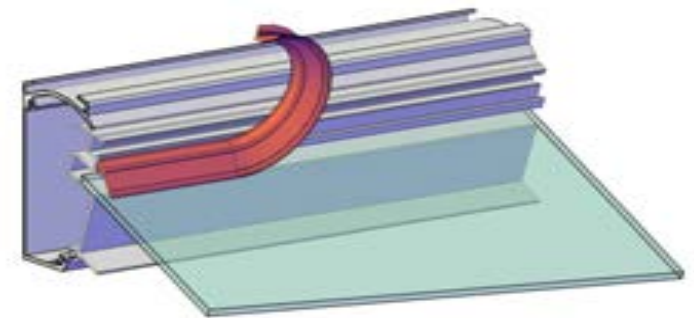




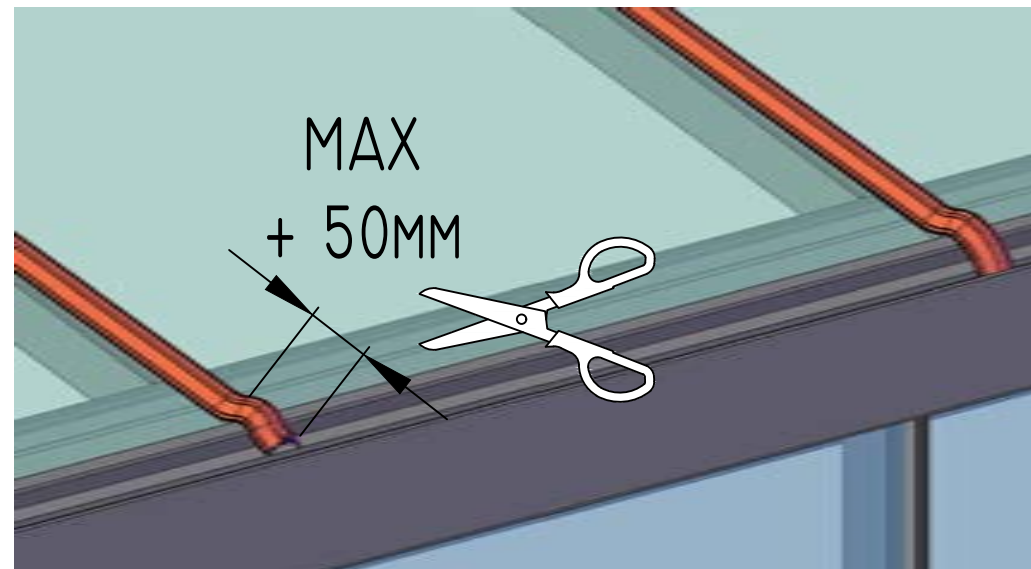
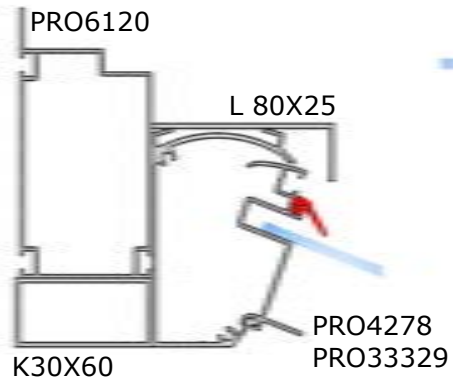
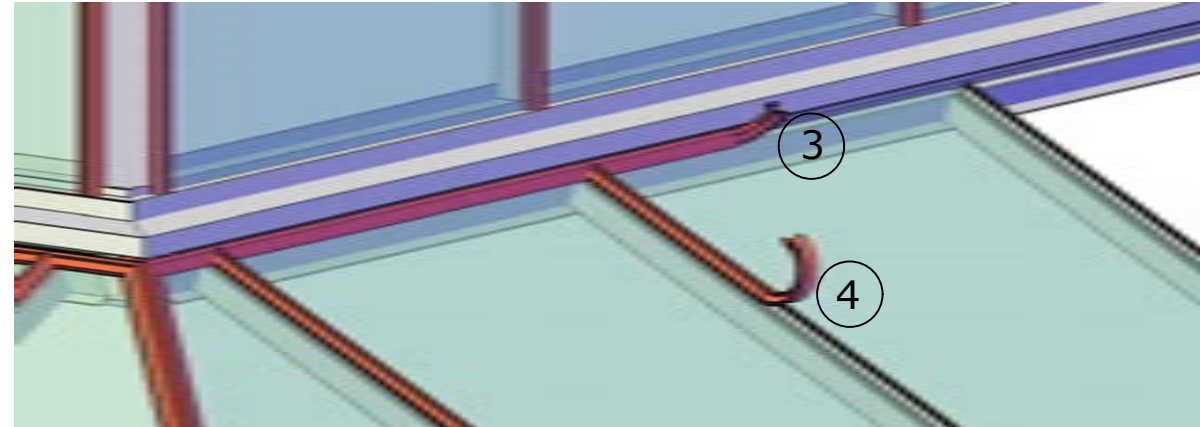
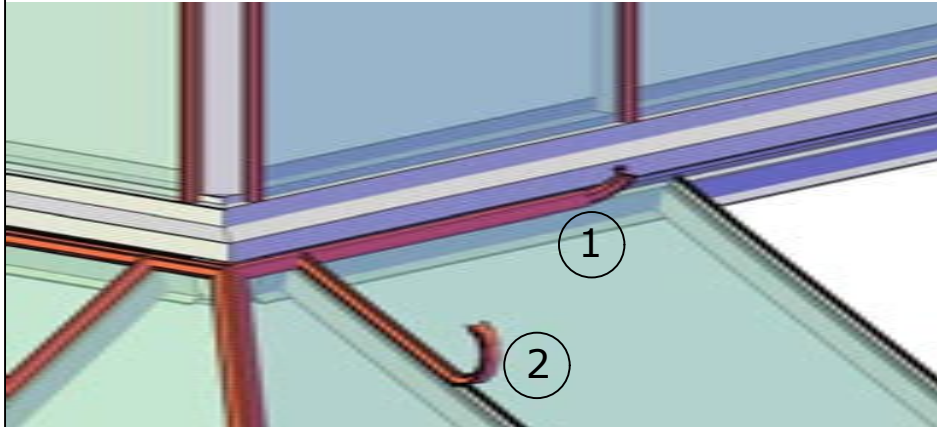
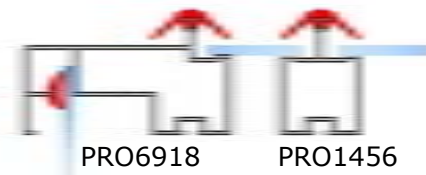
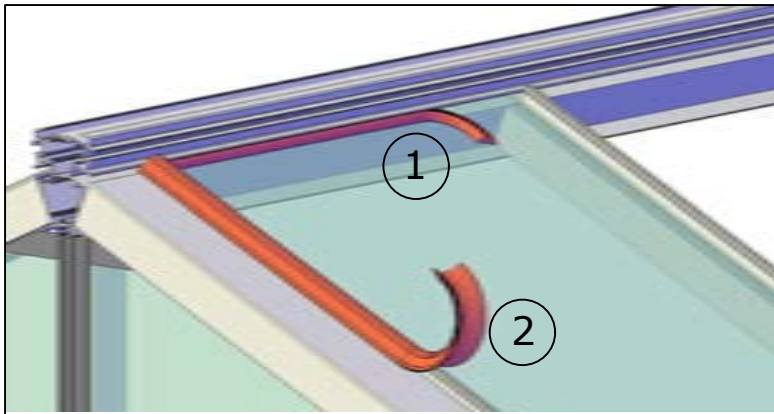
PRO 1748



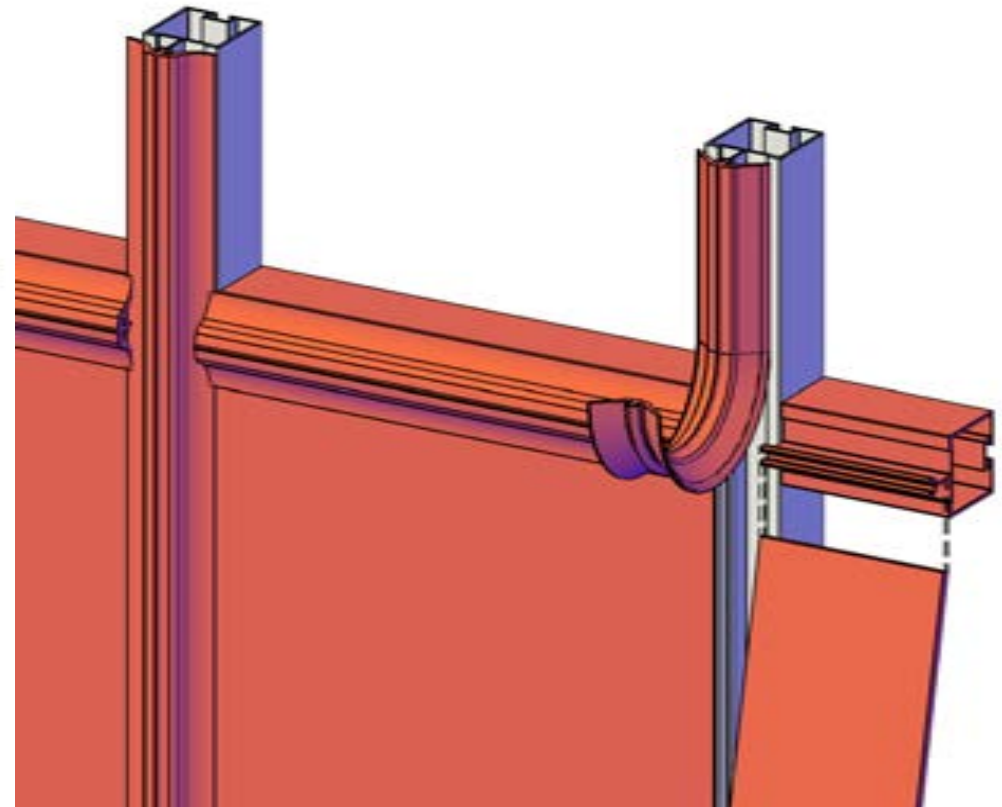
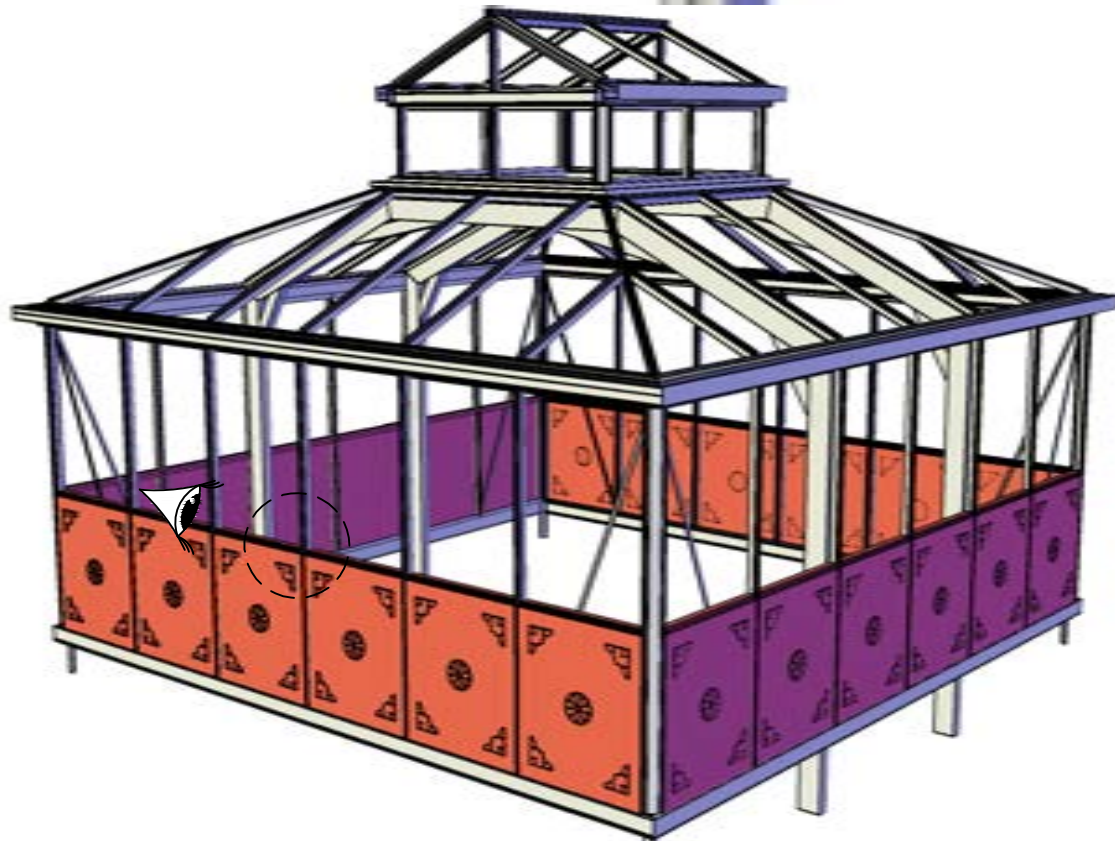
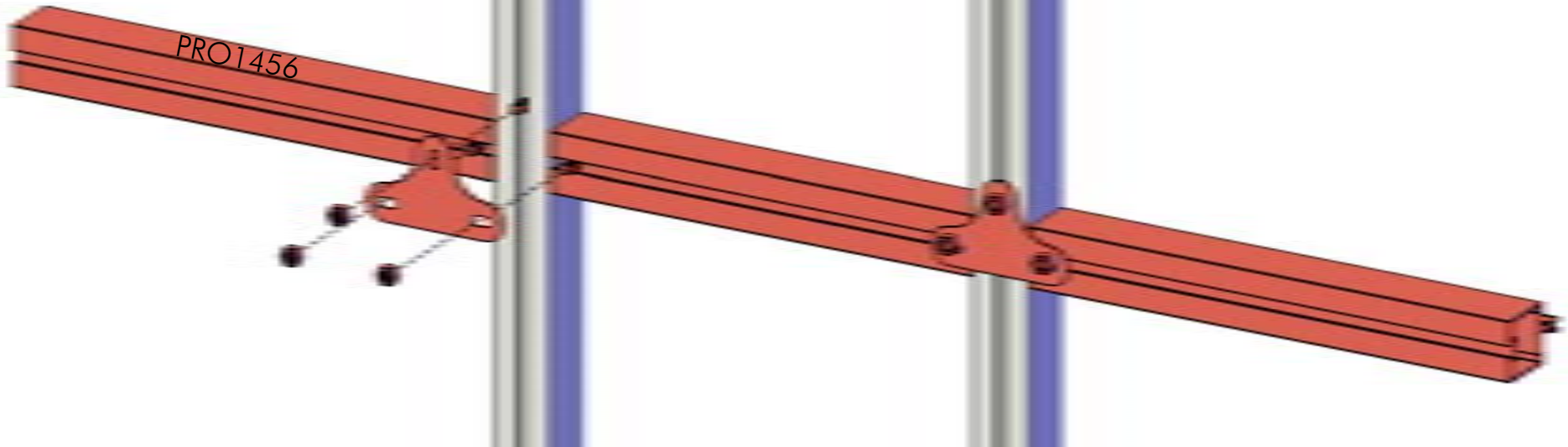
PRO 2290



PRO 5538











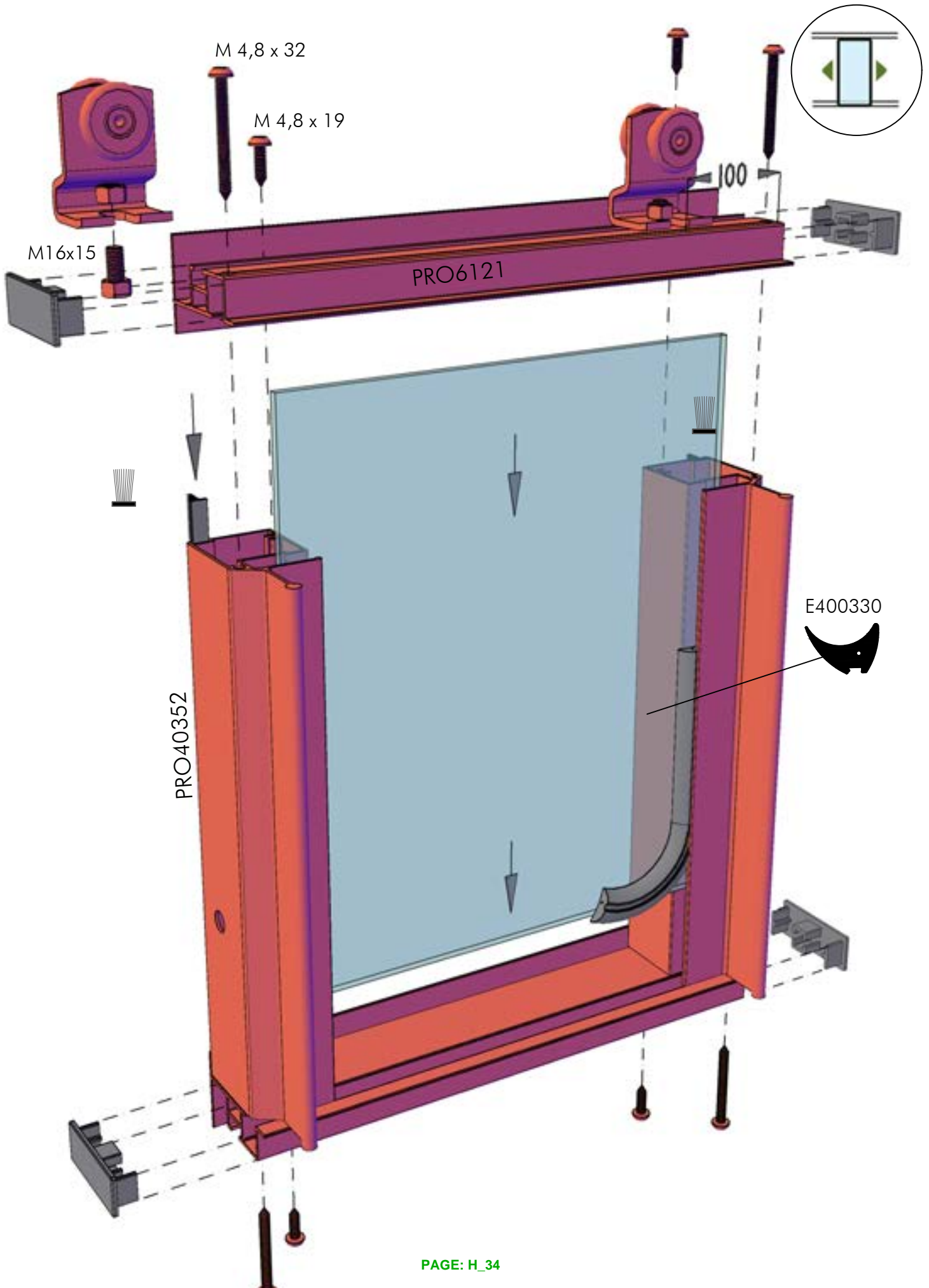
ACCESSOIRES / TOEBEHOREN

ACCESSOIRES

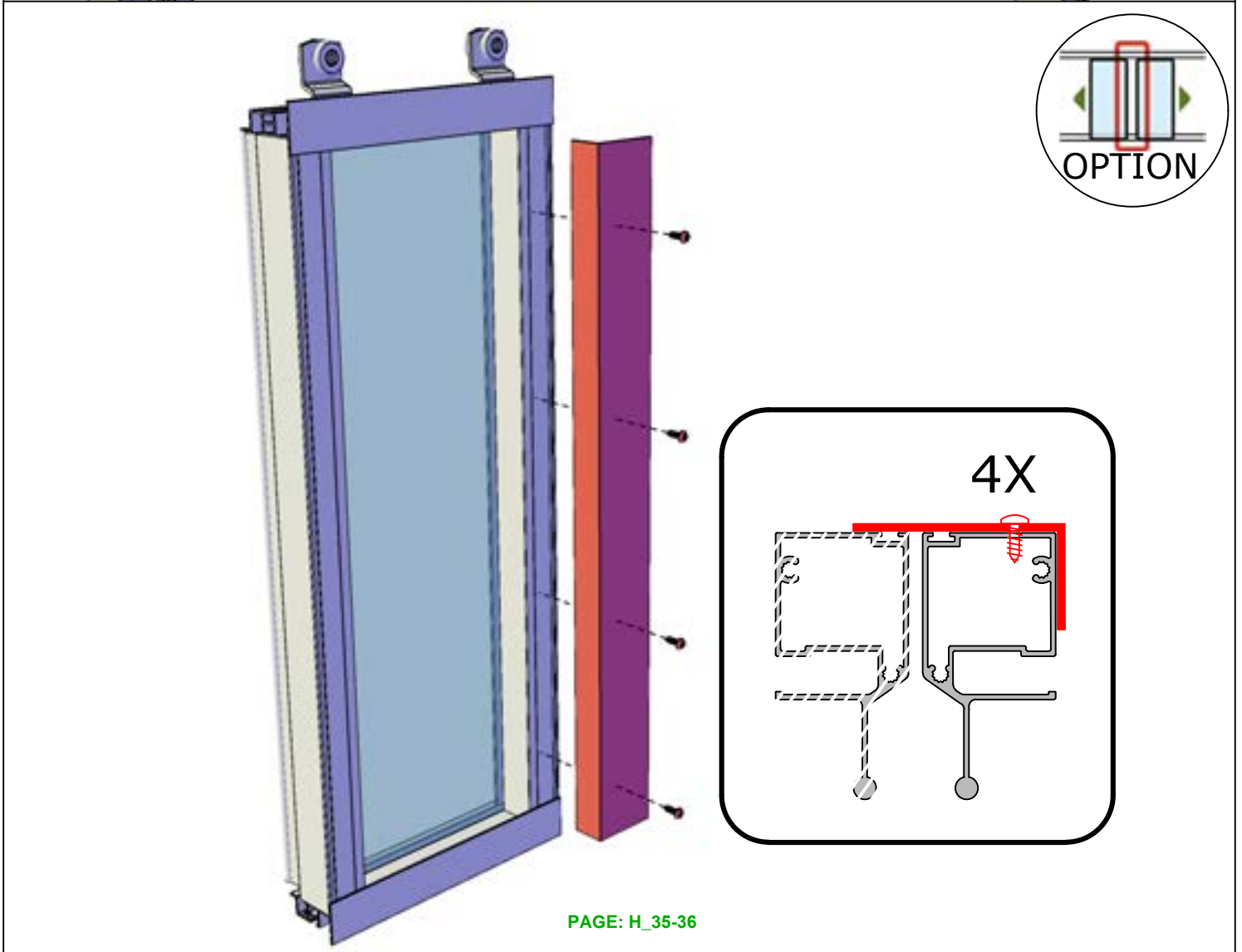
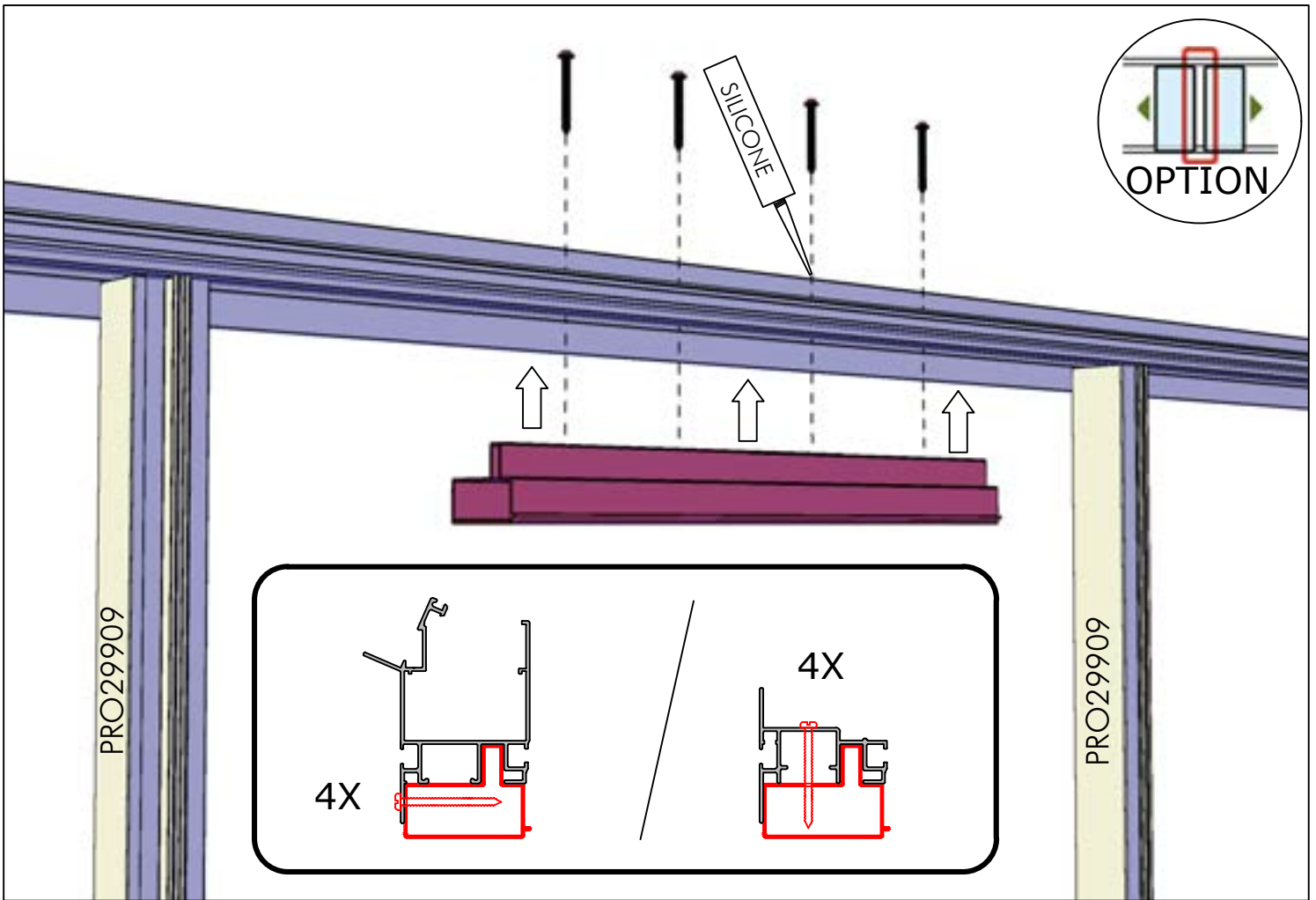
ACCESSORIES

ZUBEHOR

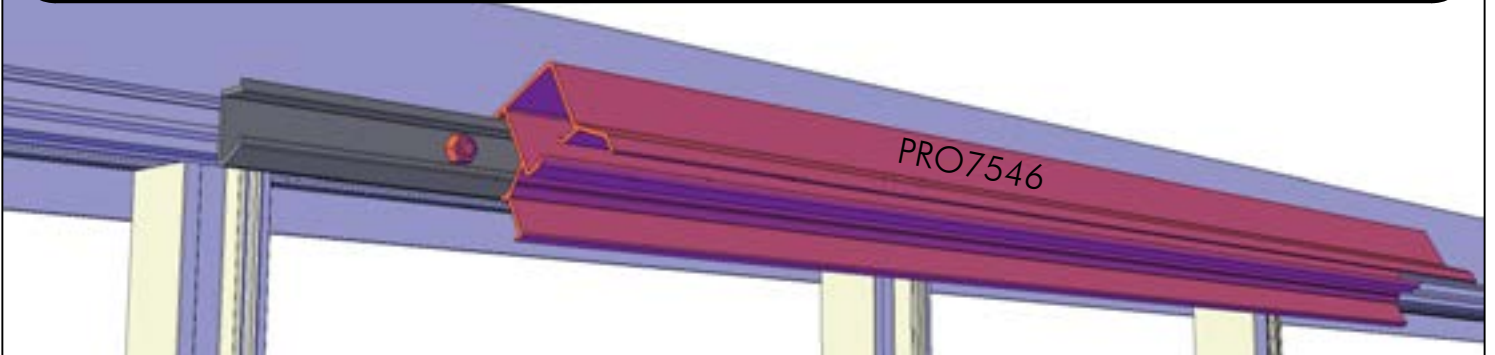
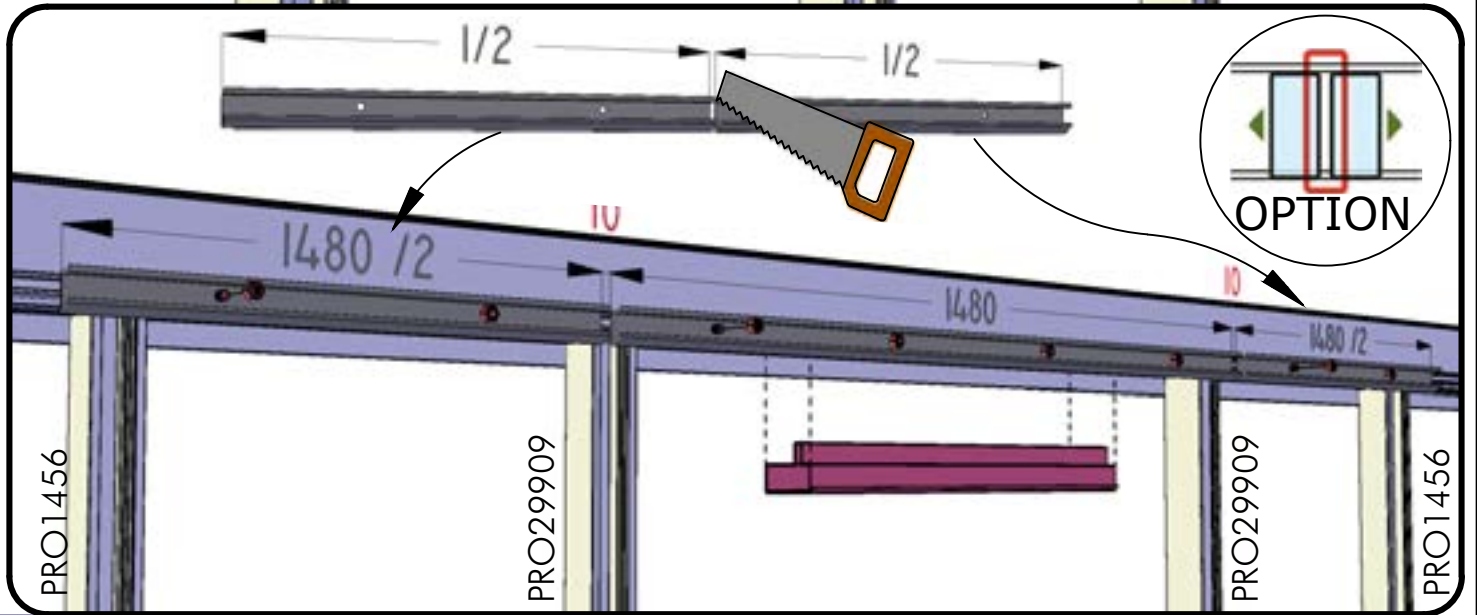
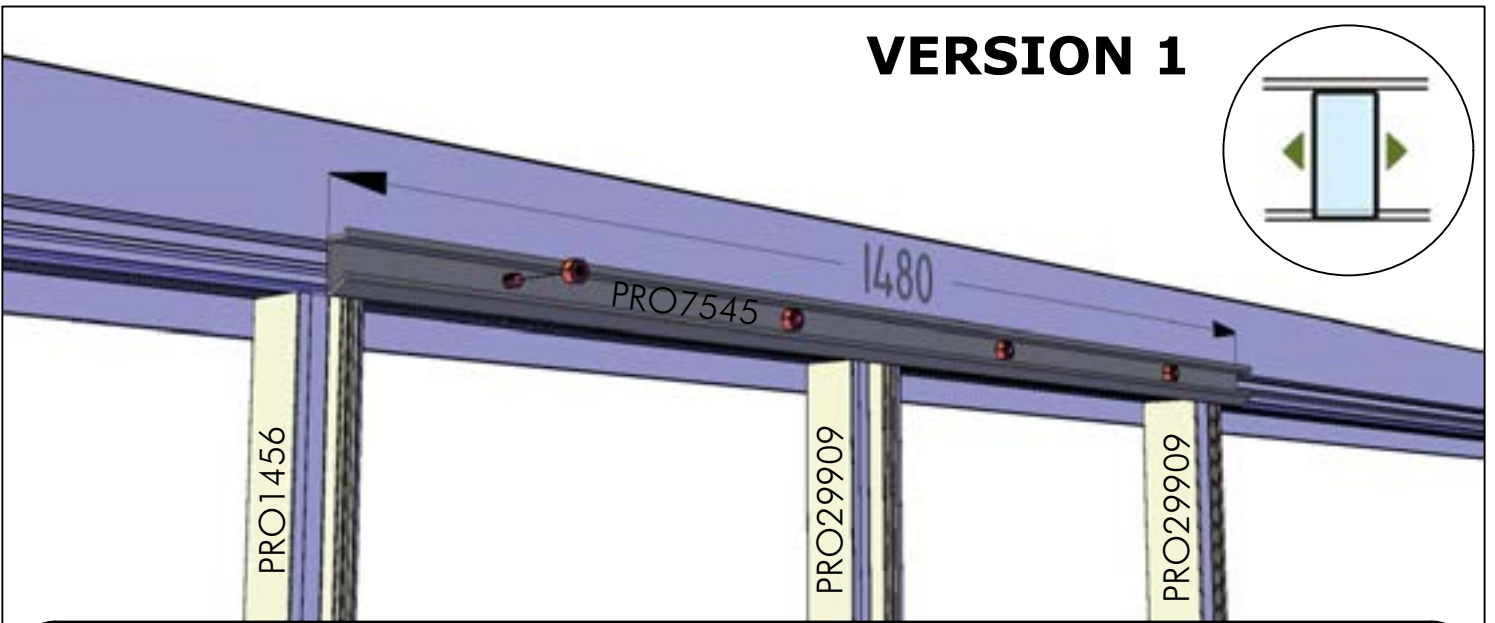
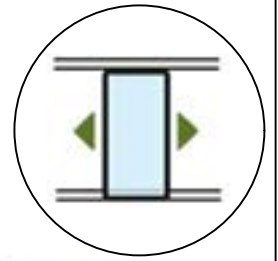
Schuifdeur-Porte Coulissante-Schiebetür-Sliding door  
Skydedør-Skyvedør-Skuggväv-Porta scorrevole-Skjutdörr





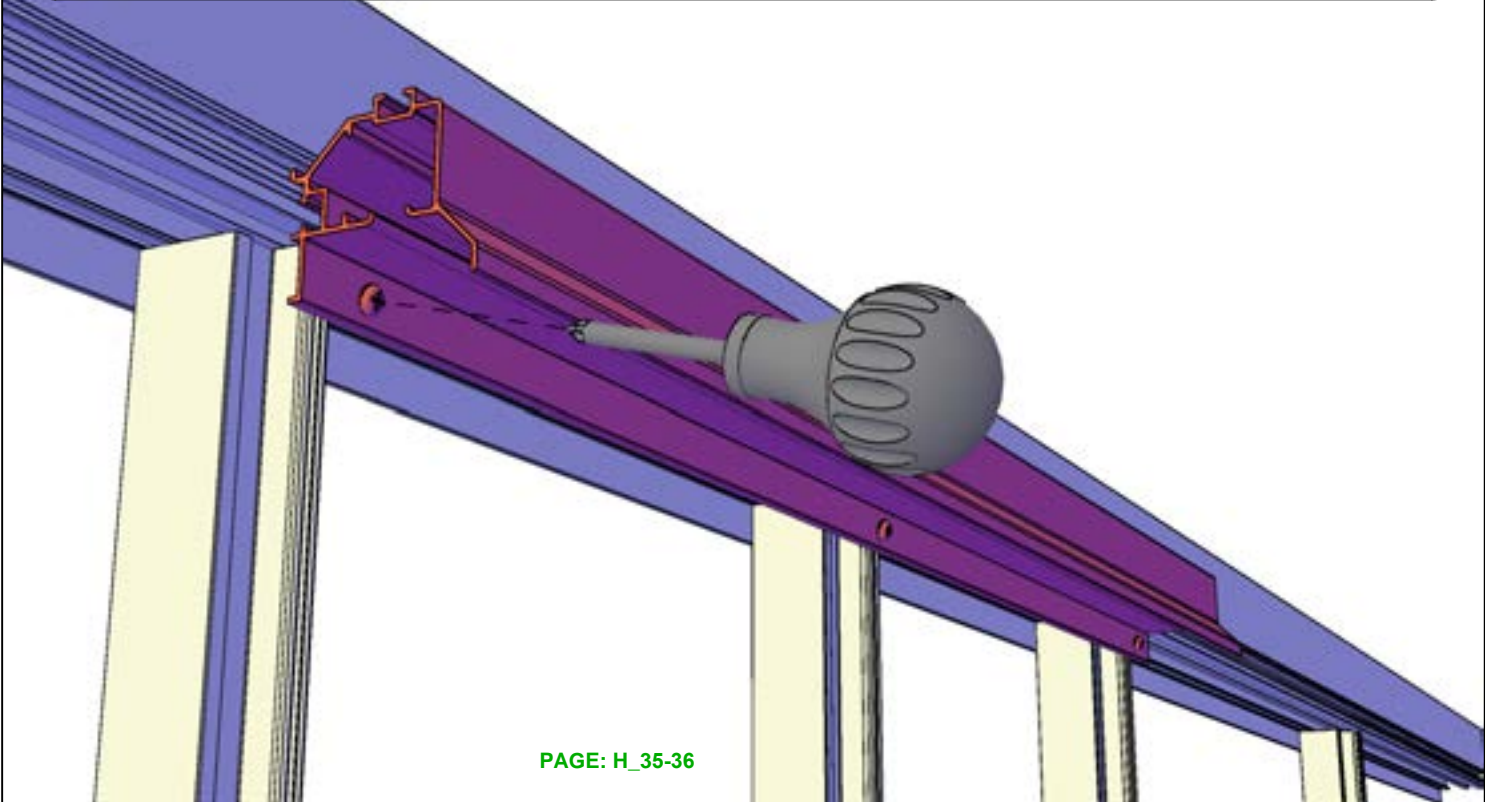
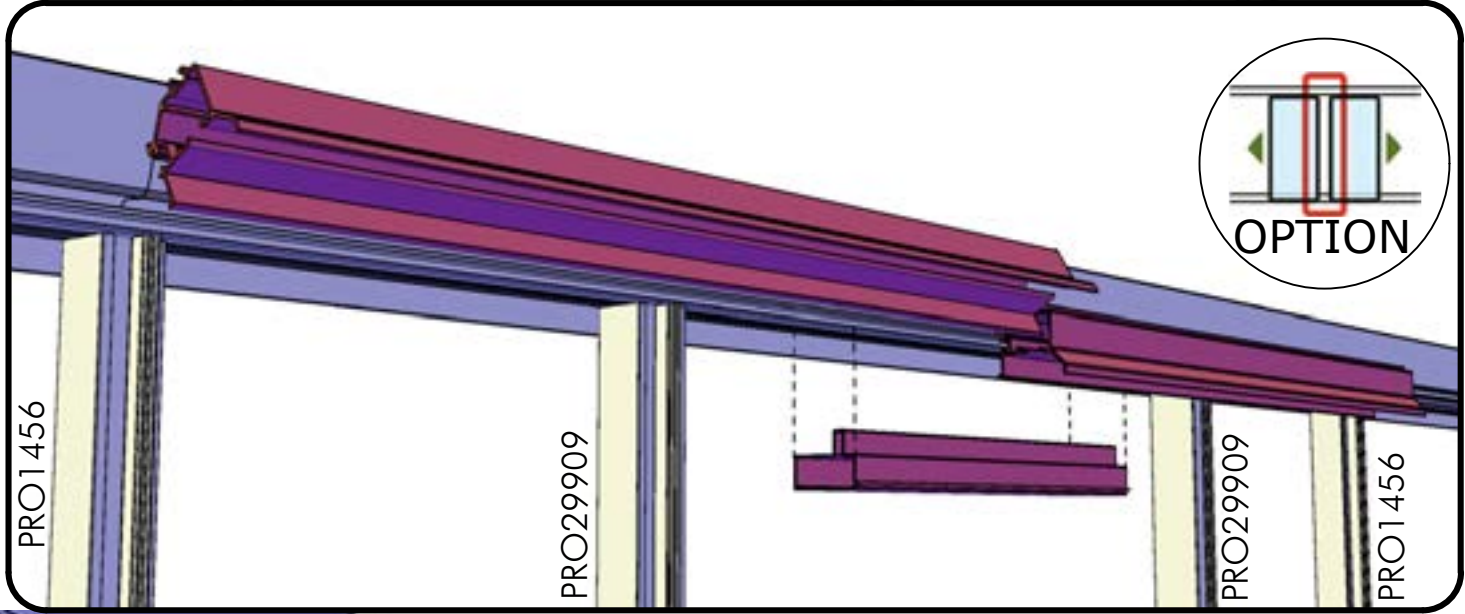
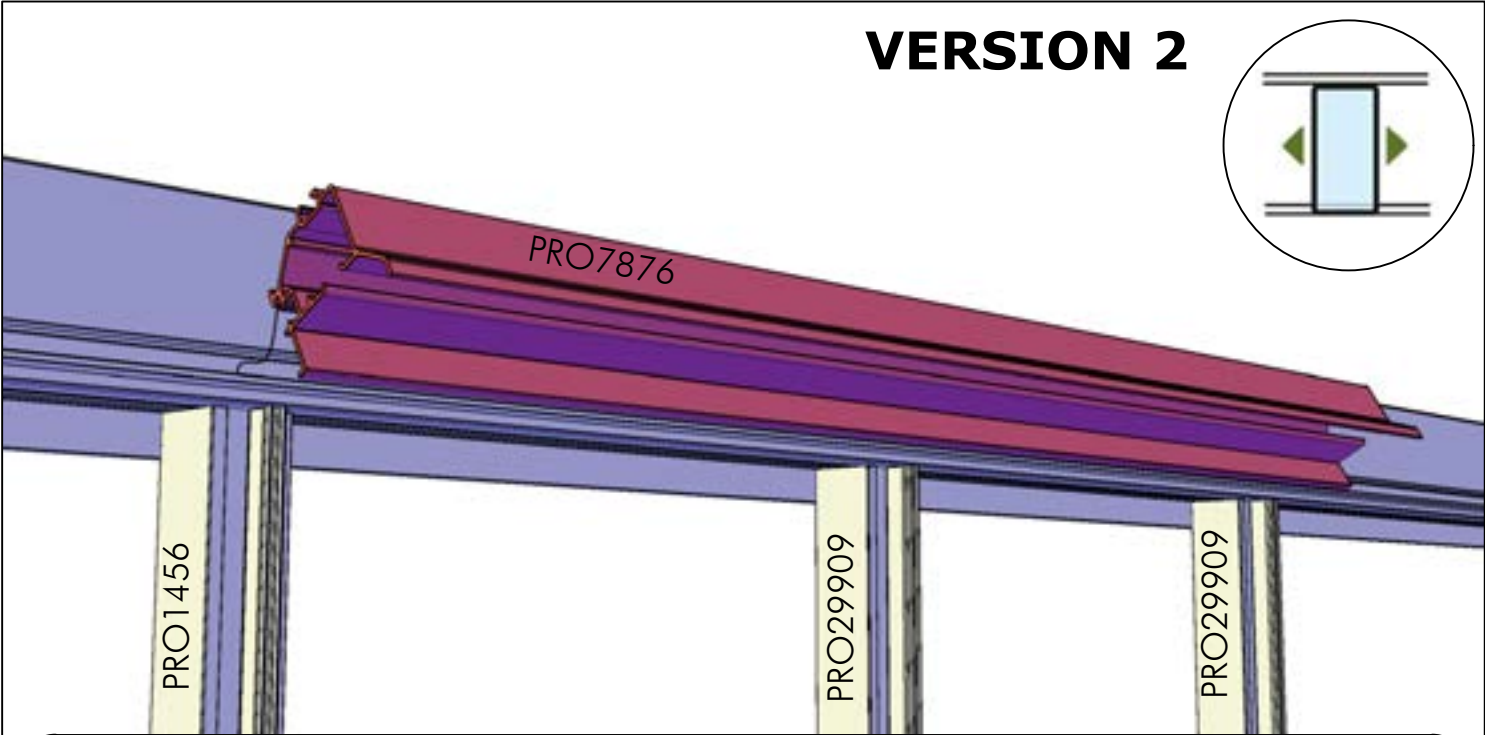
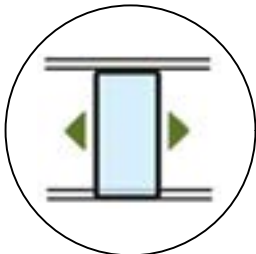


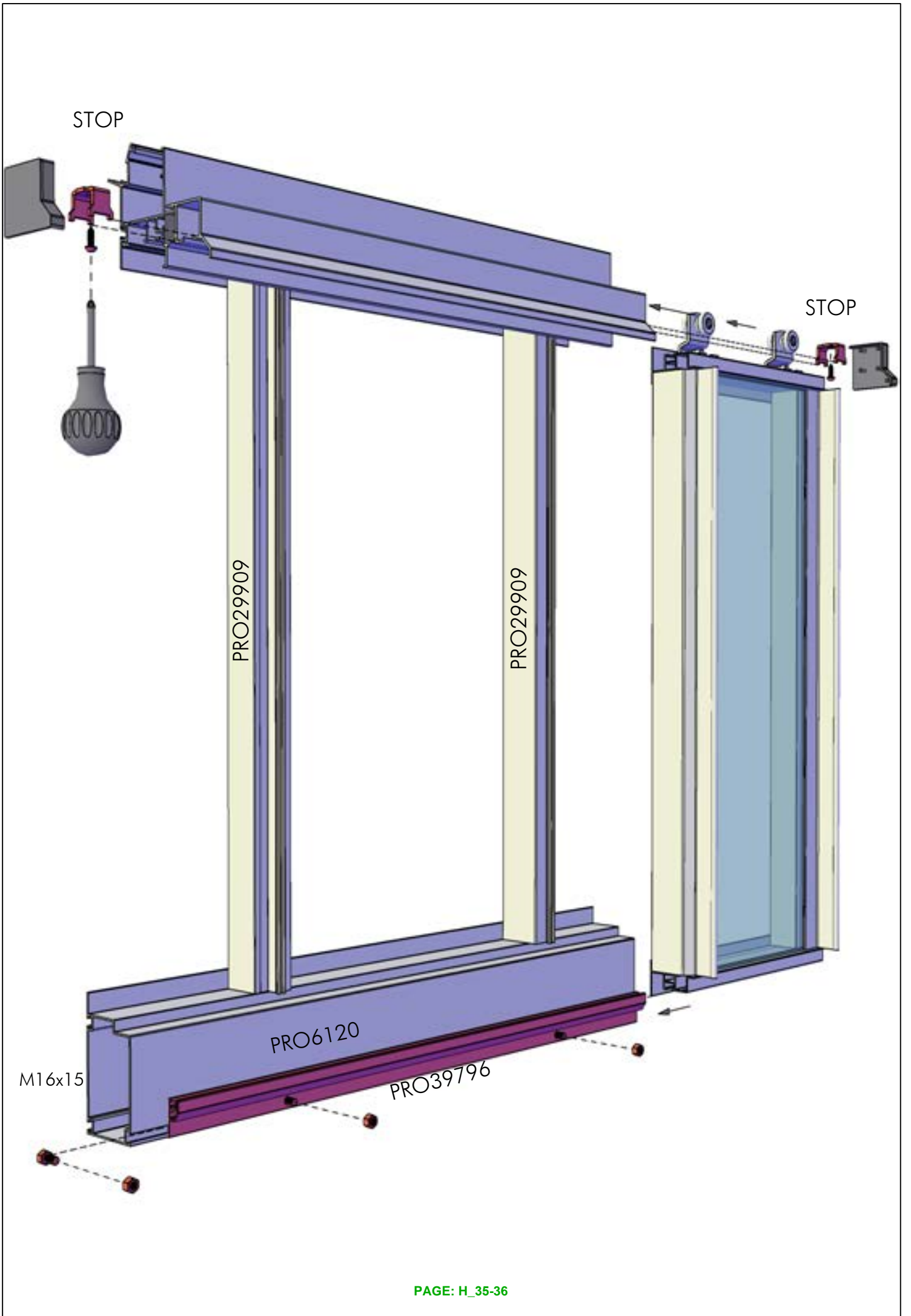
# VERSION 1



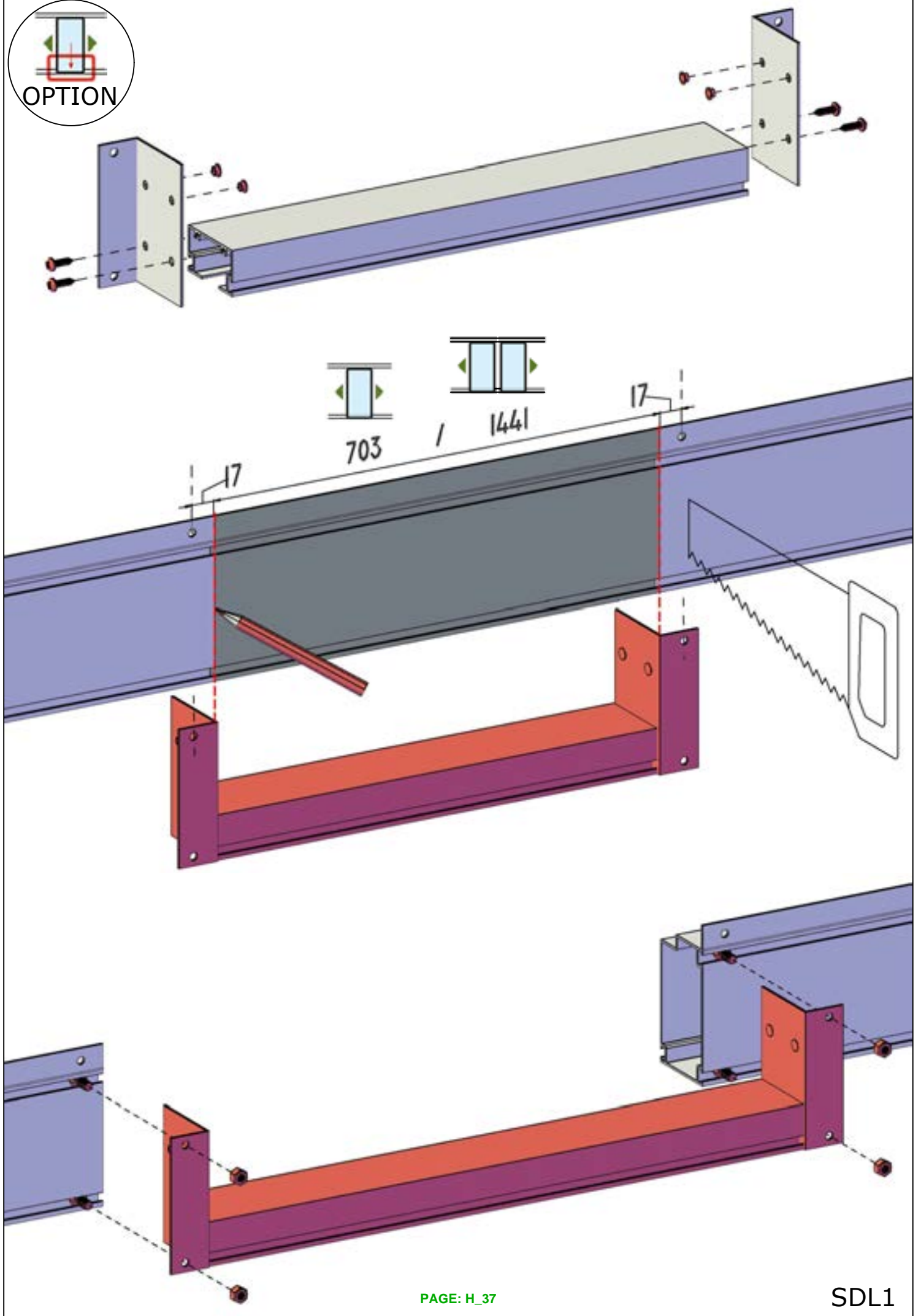


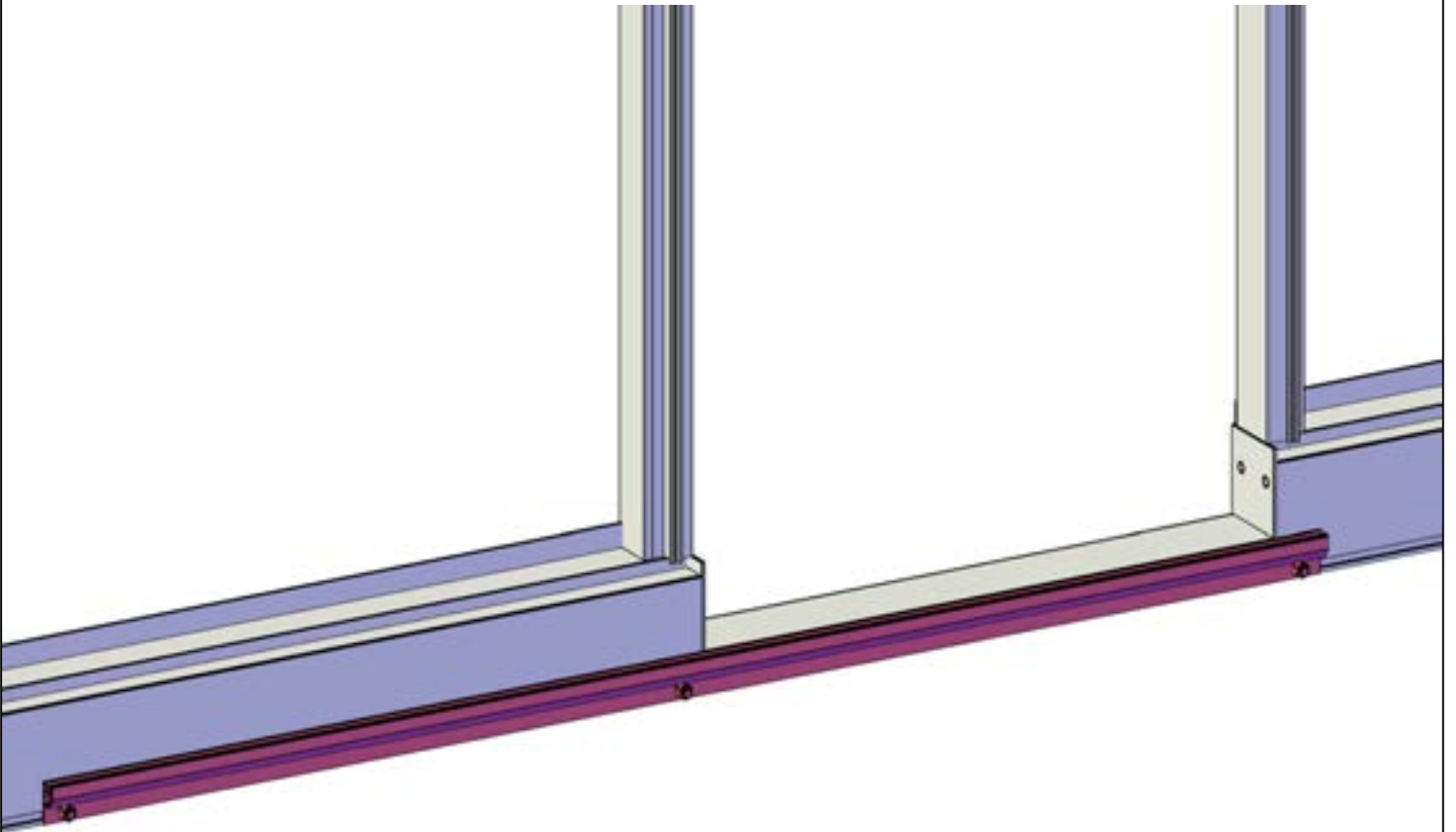
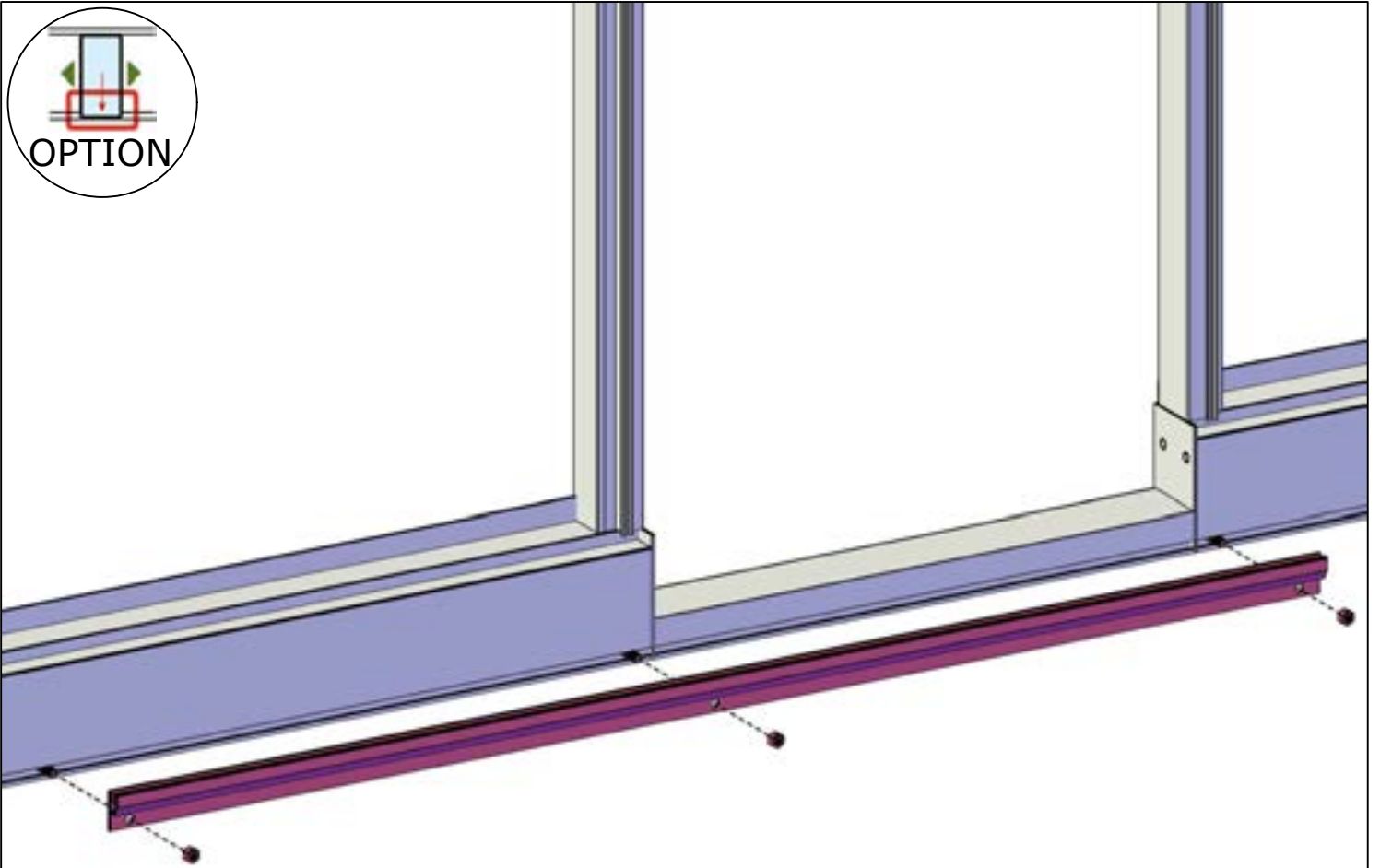
# VERSION 2





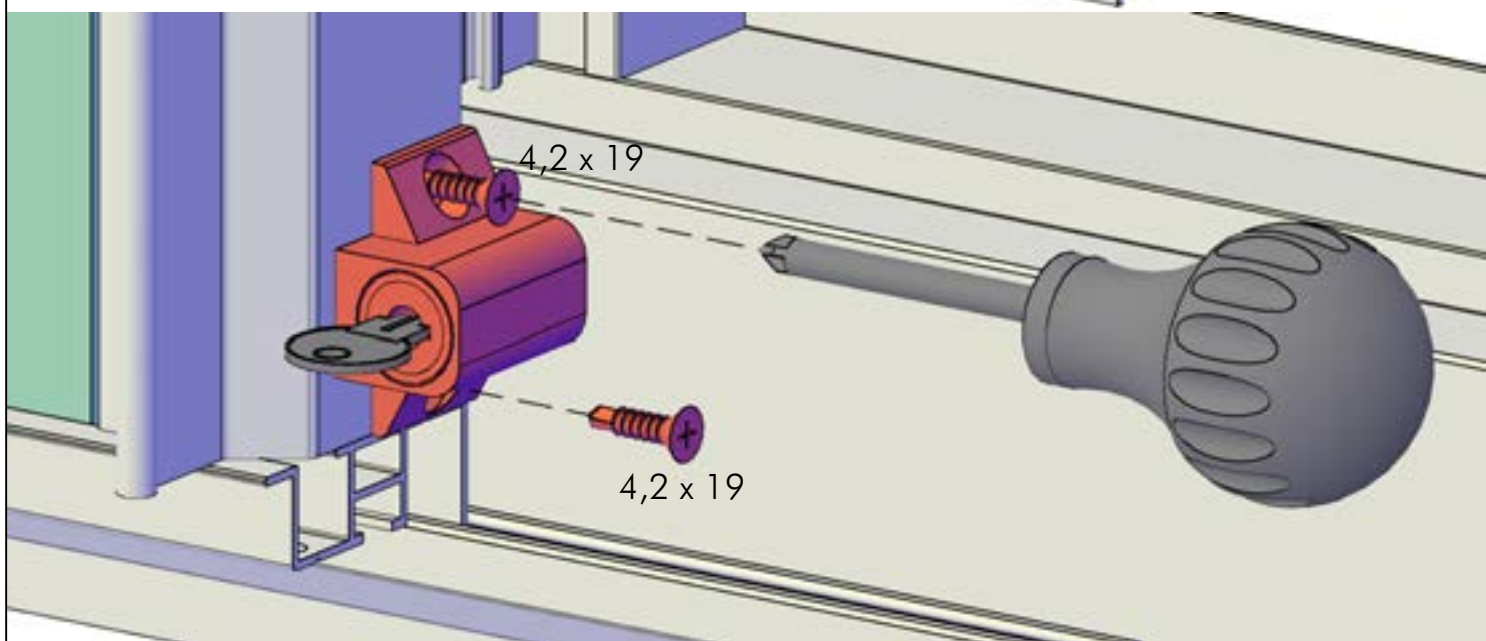
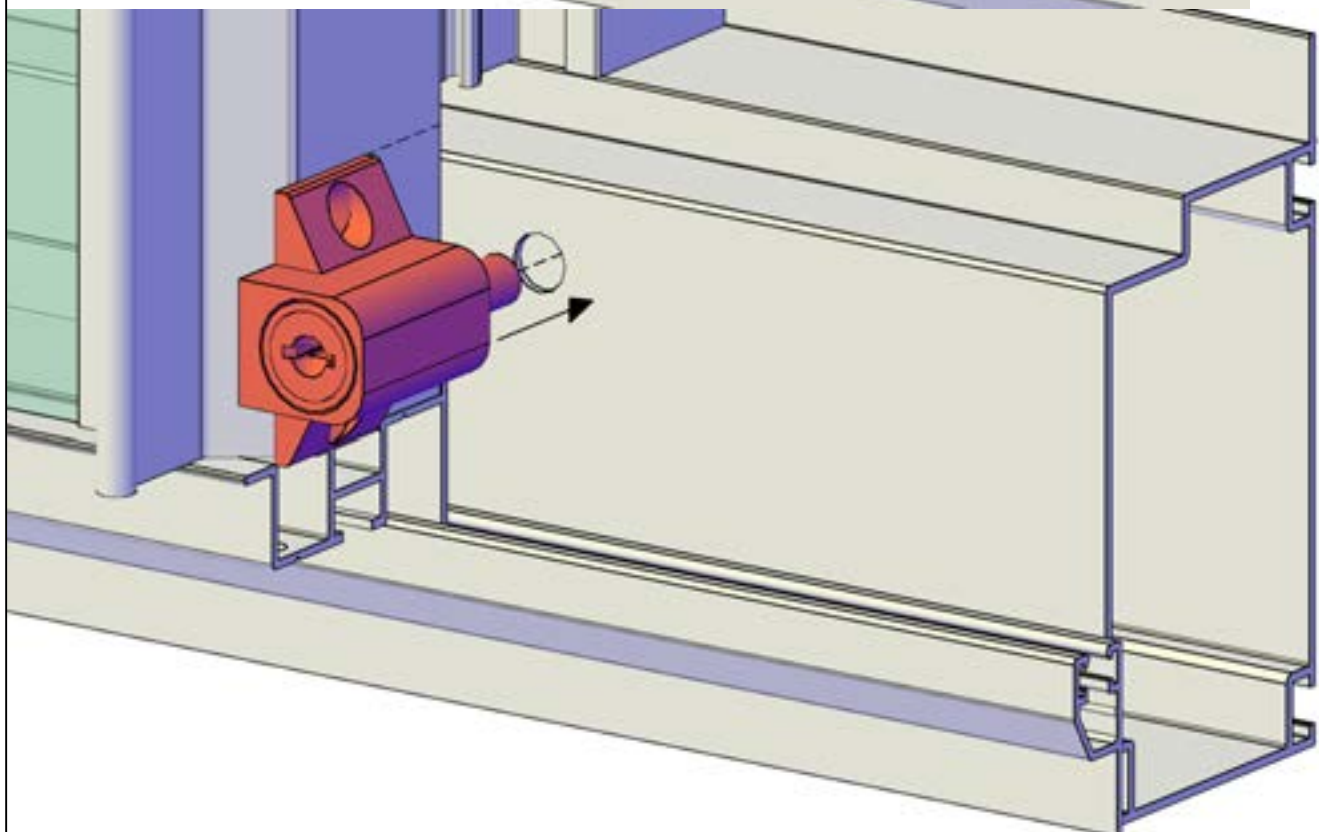
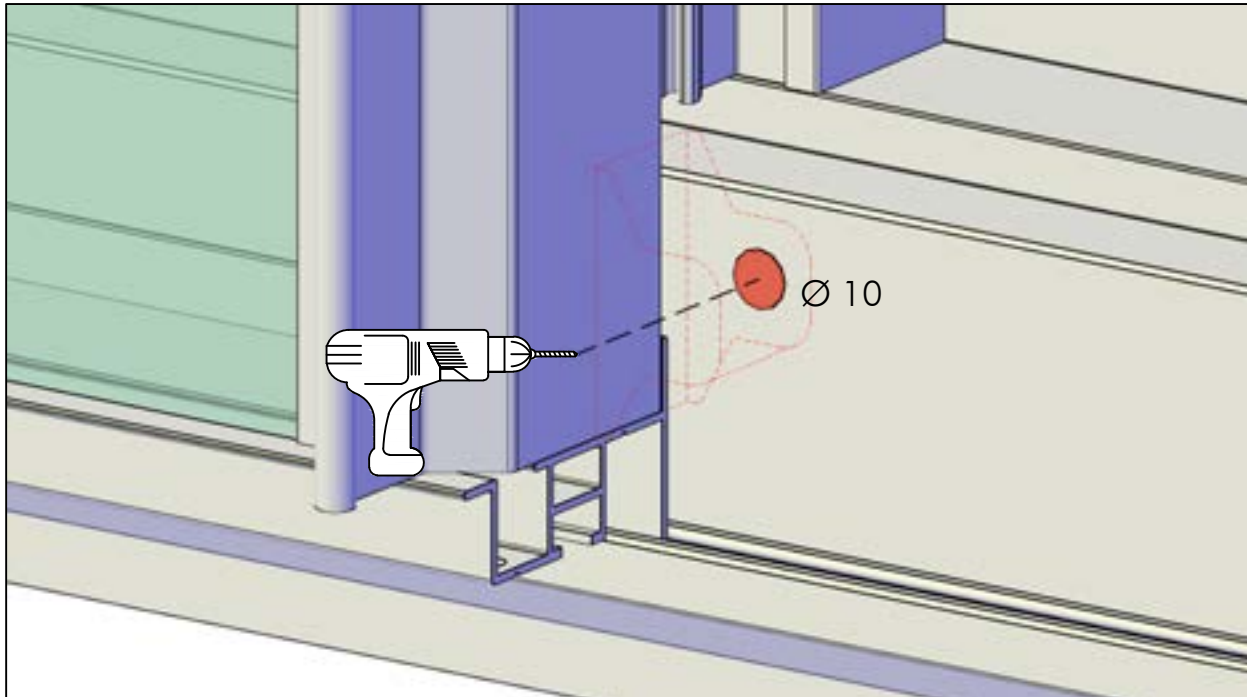








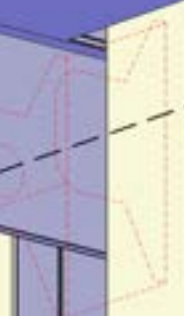
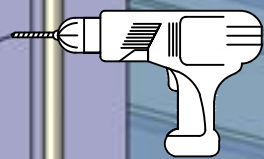
OPTION



OPTION



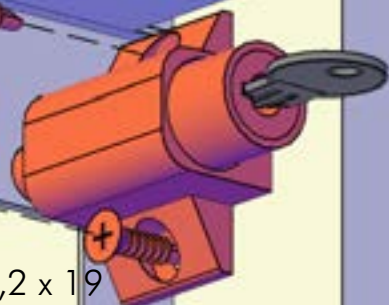
Ø 10



4,2 x 19

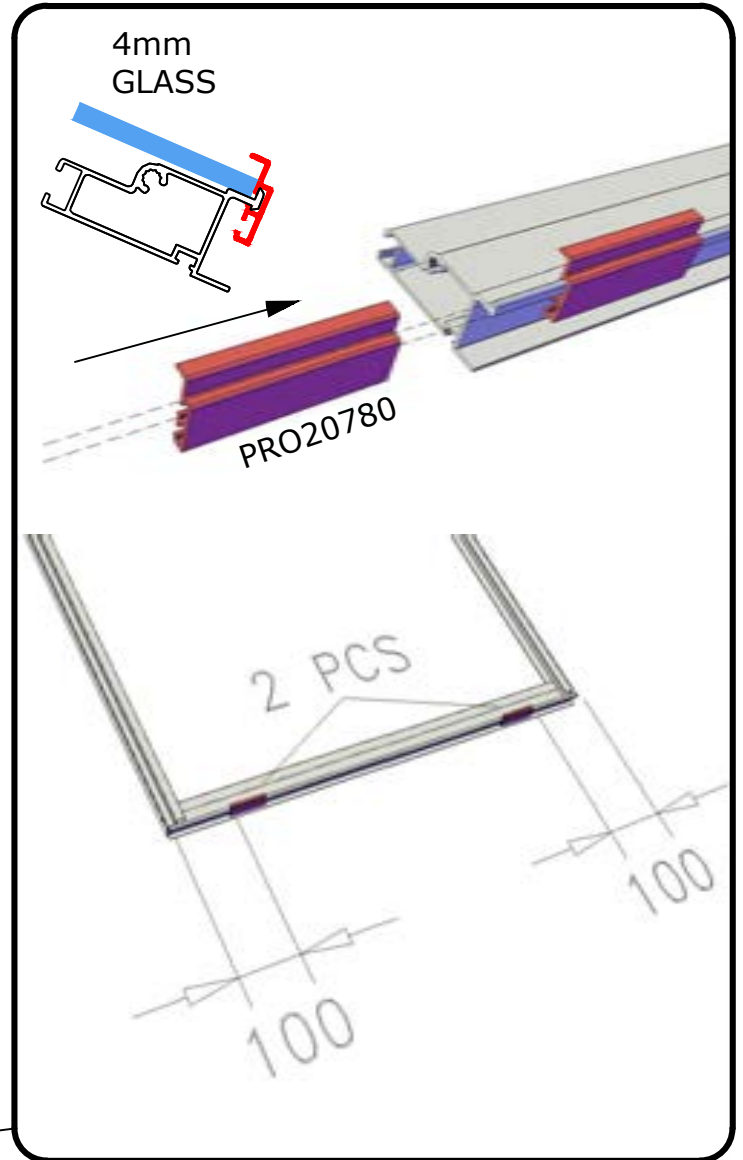
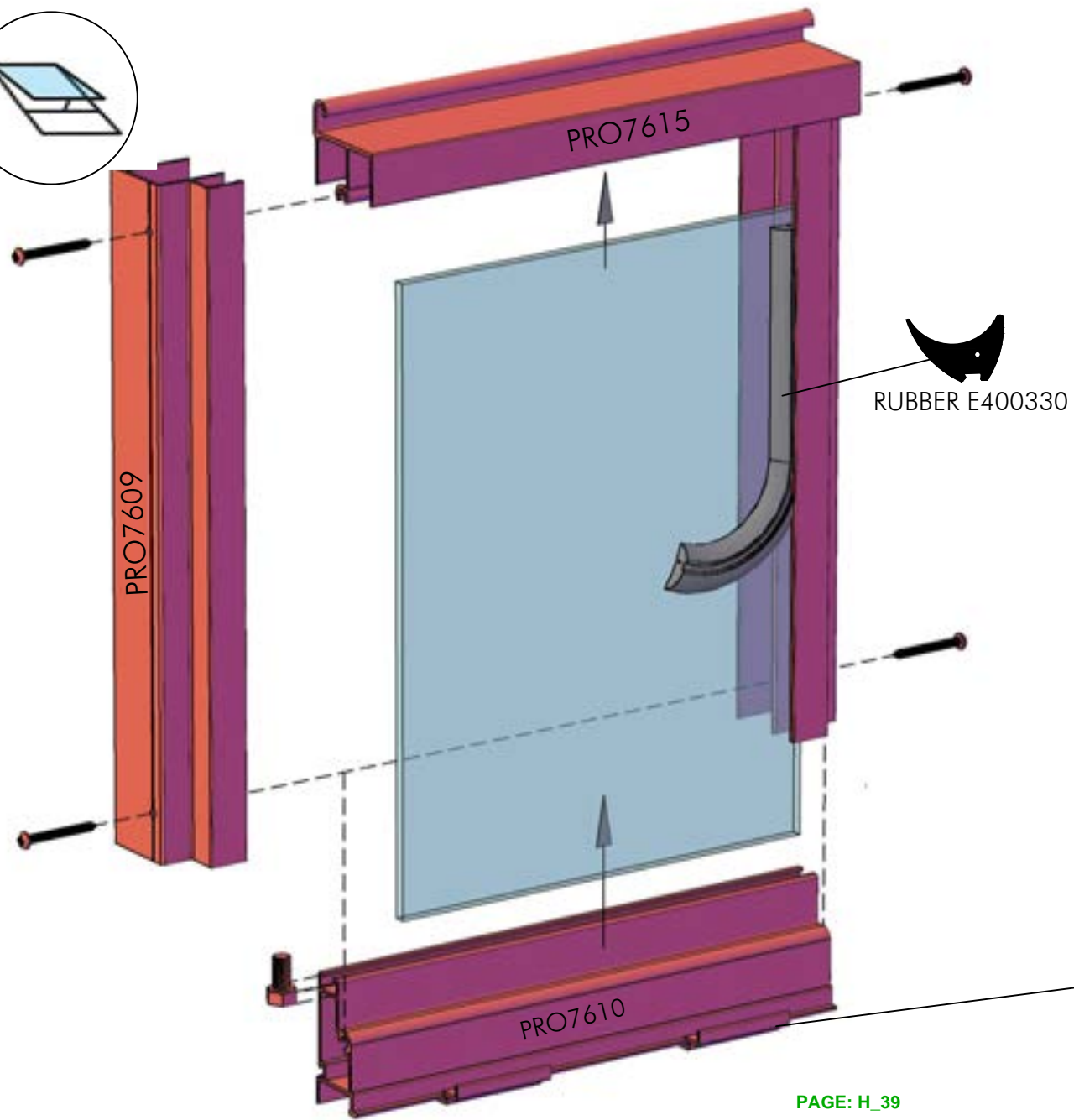


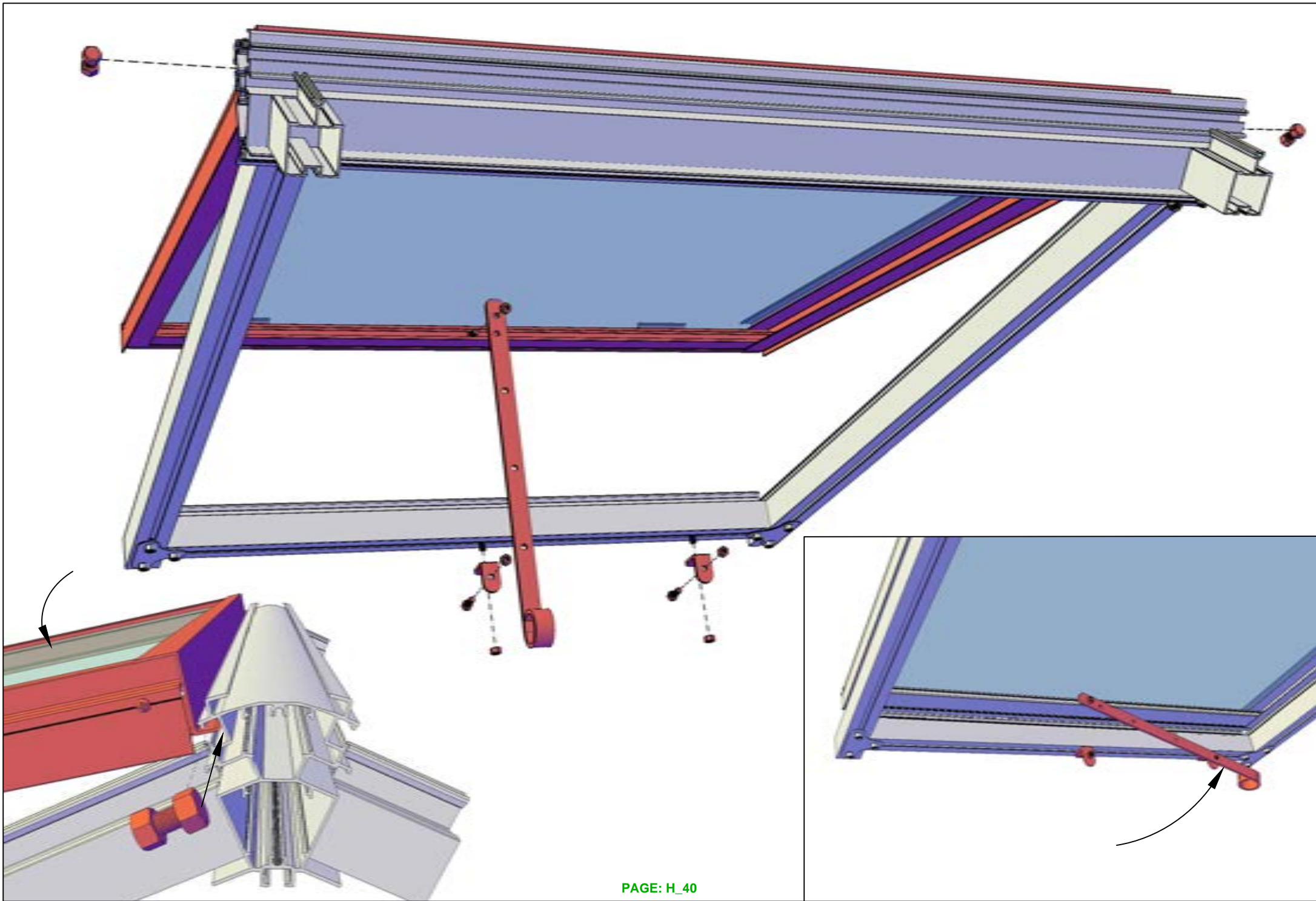
4,2 x 19



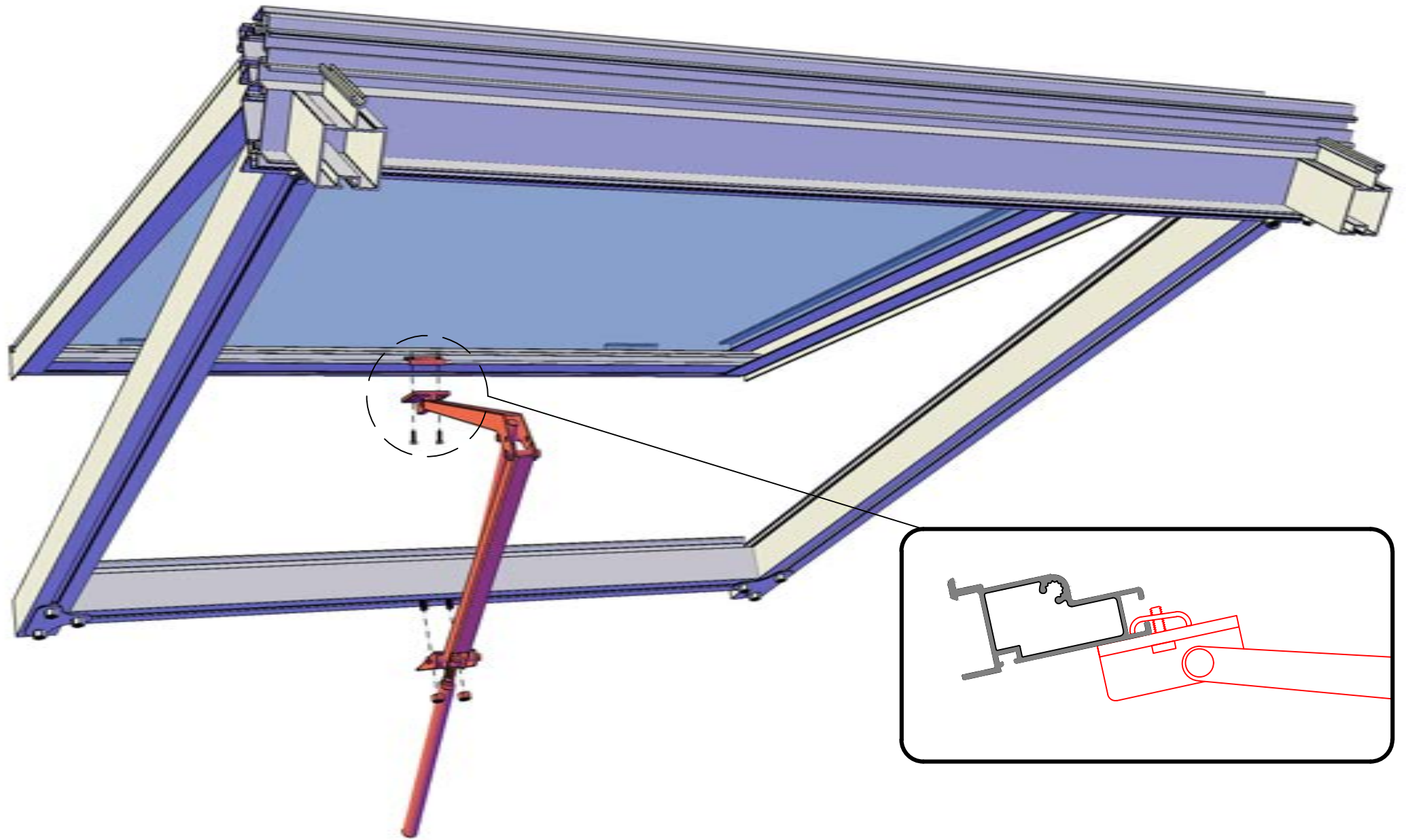


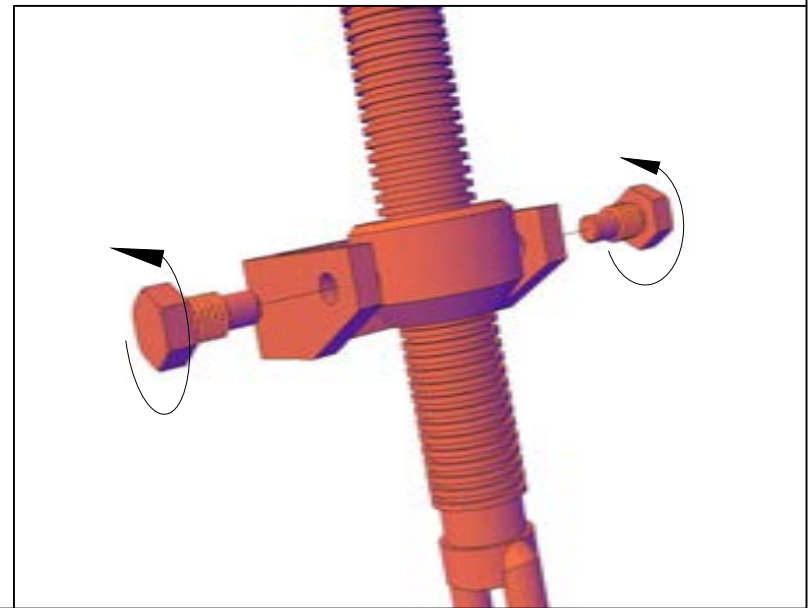
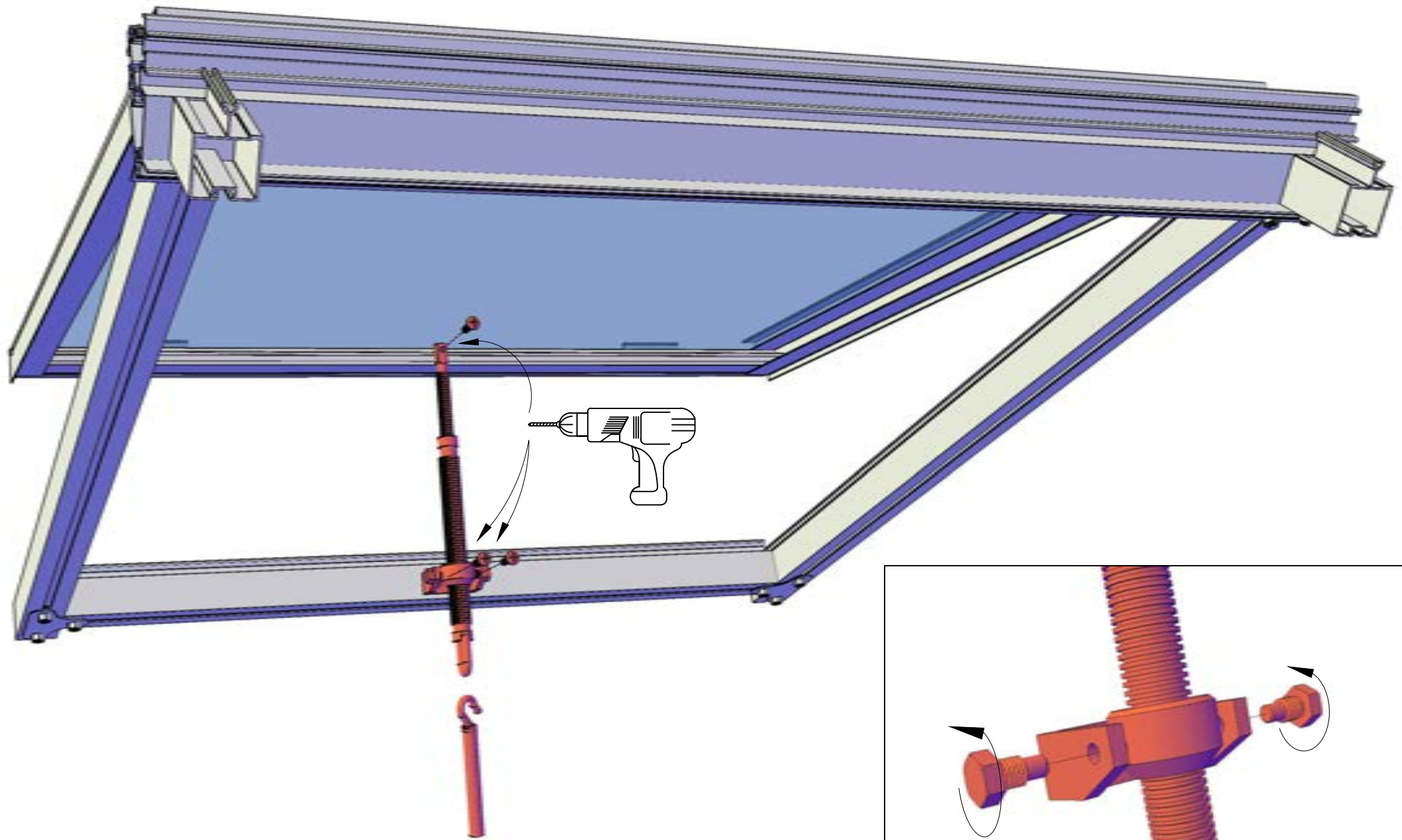
Dakraam-Lucarne-Dachfenster-Roofwindow-Tagvindue  
Takluke-Takfönster-Finestra del tetto







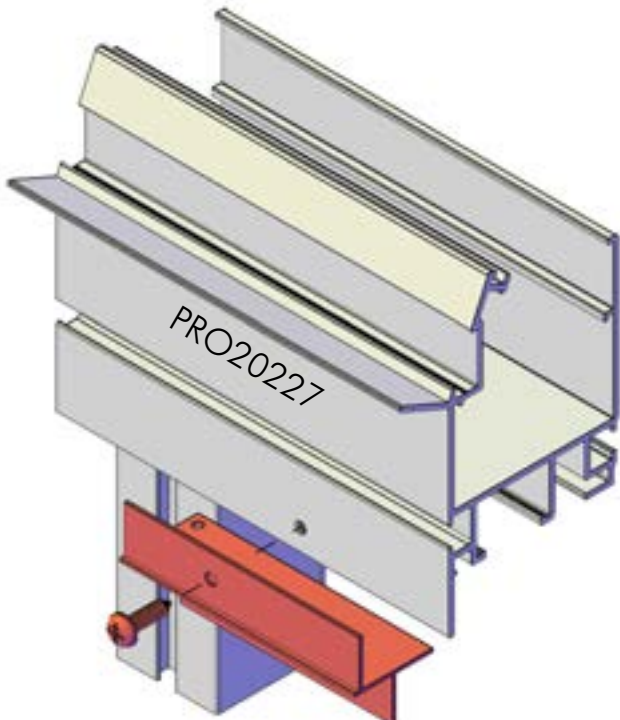
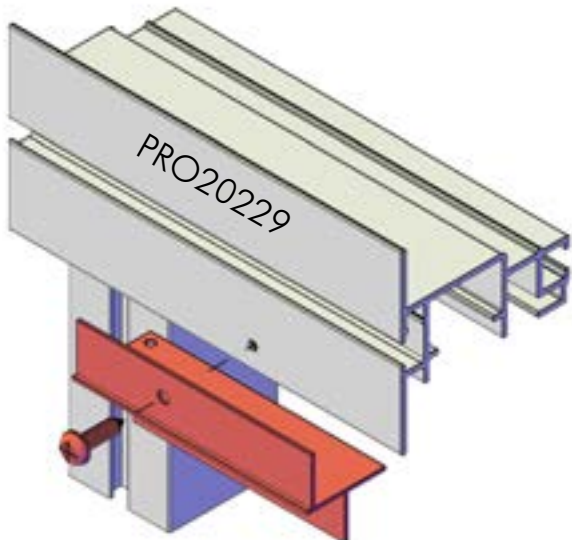
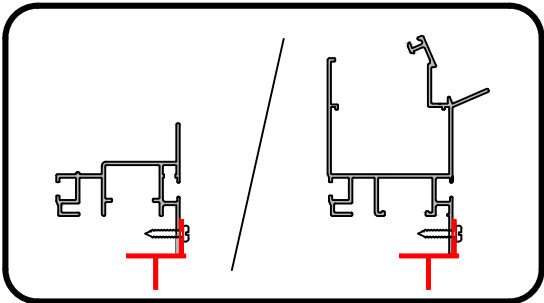




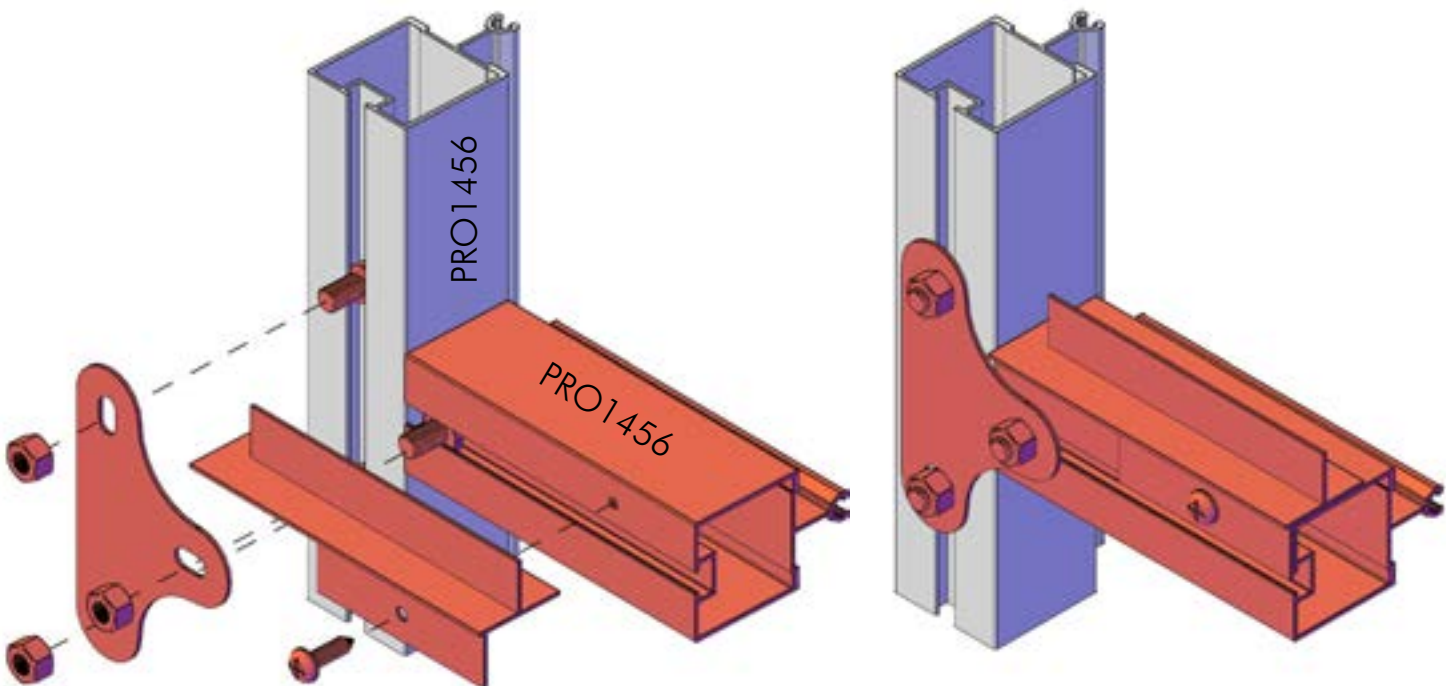




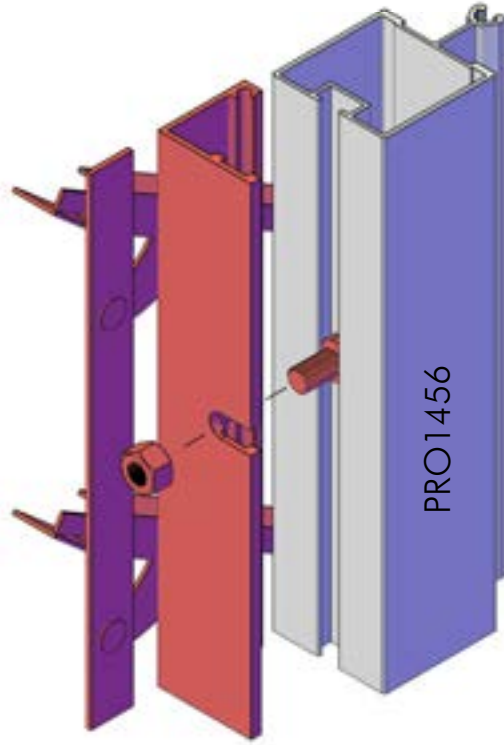
1



2

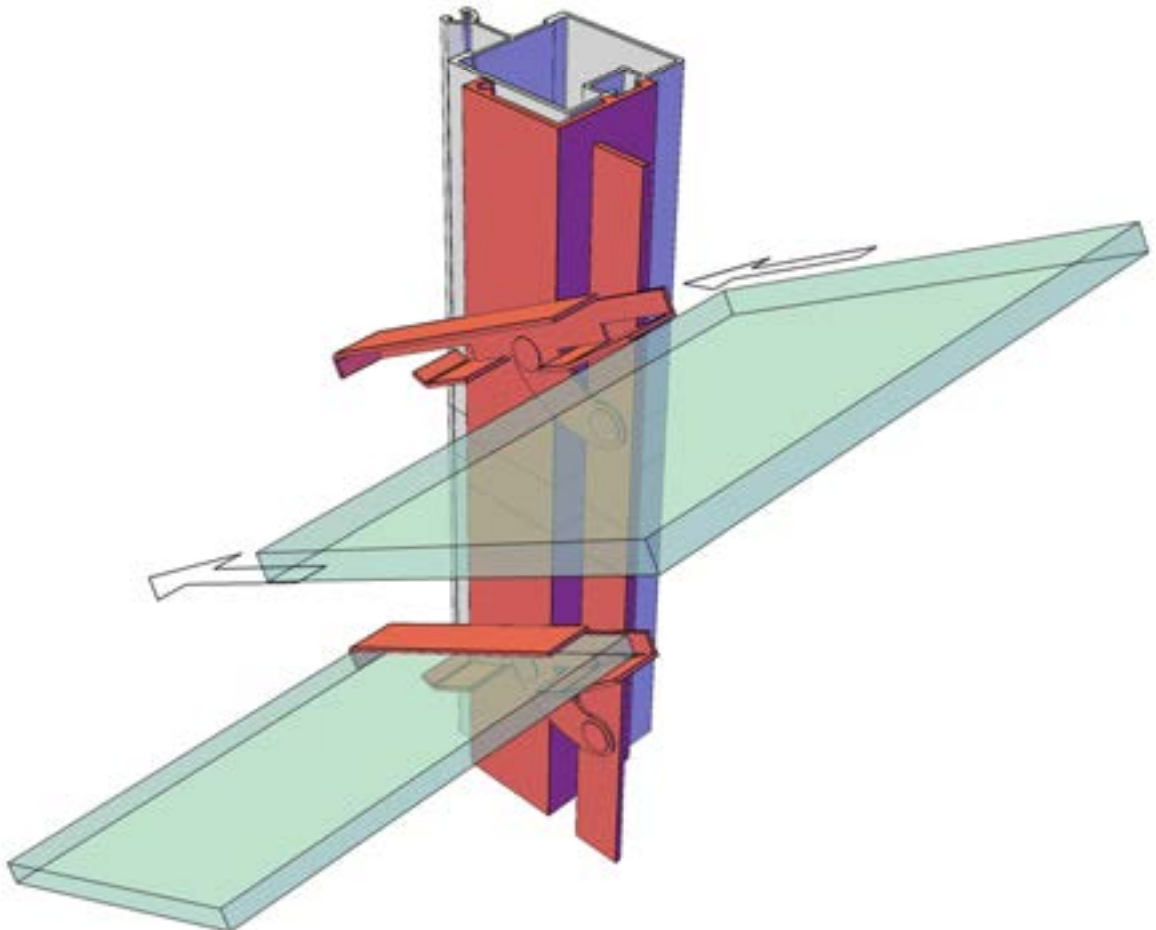


3

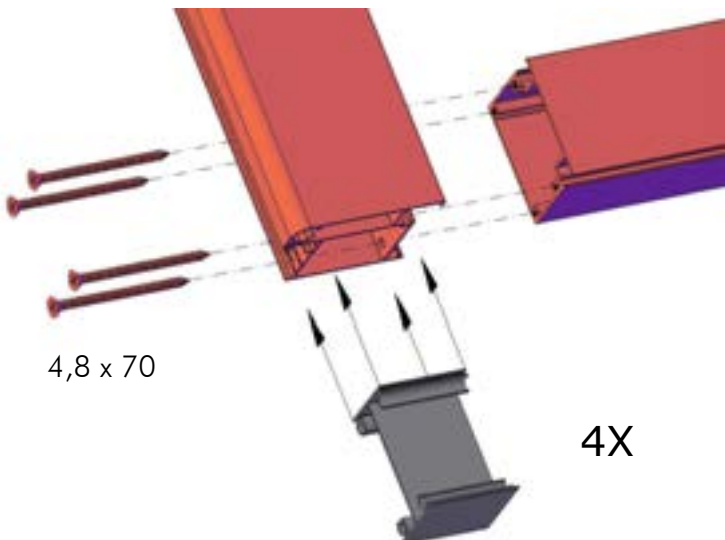
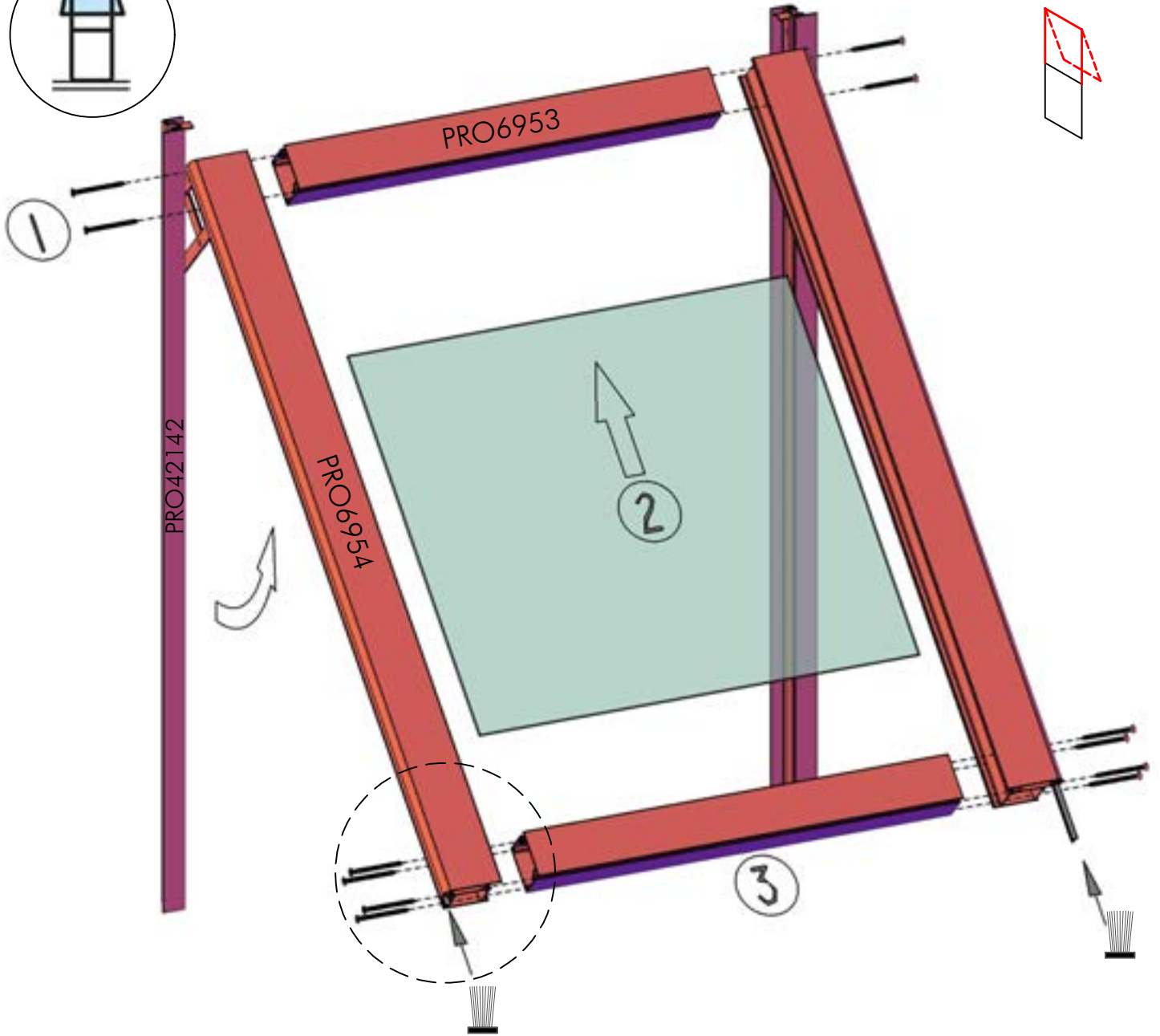


4X

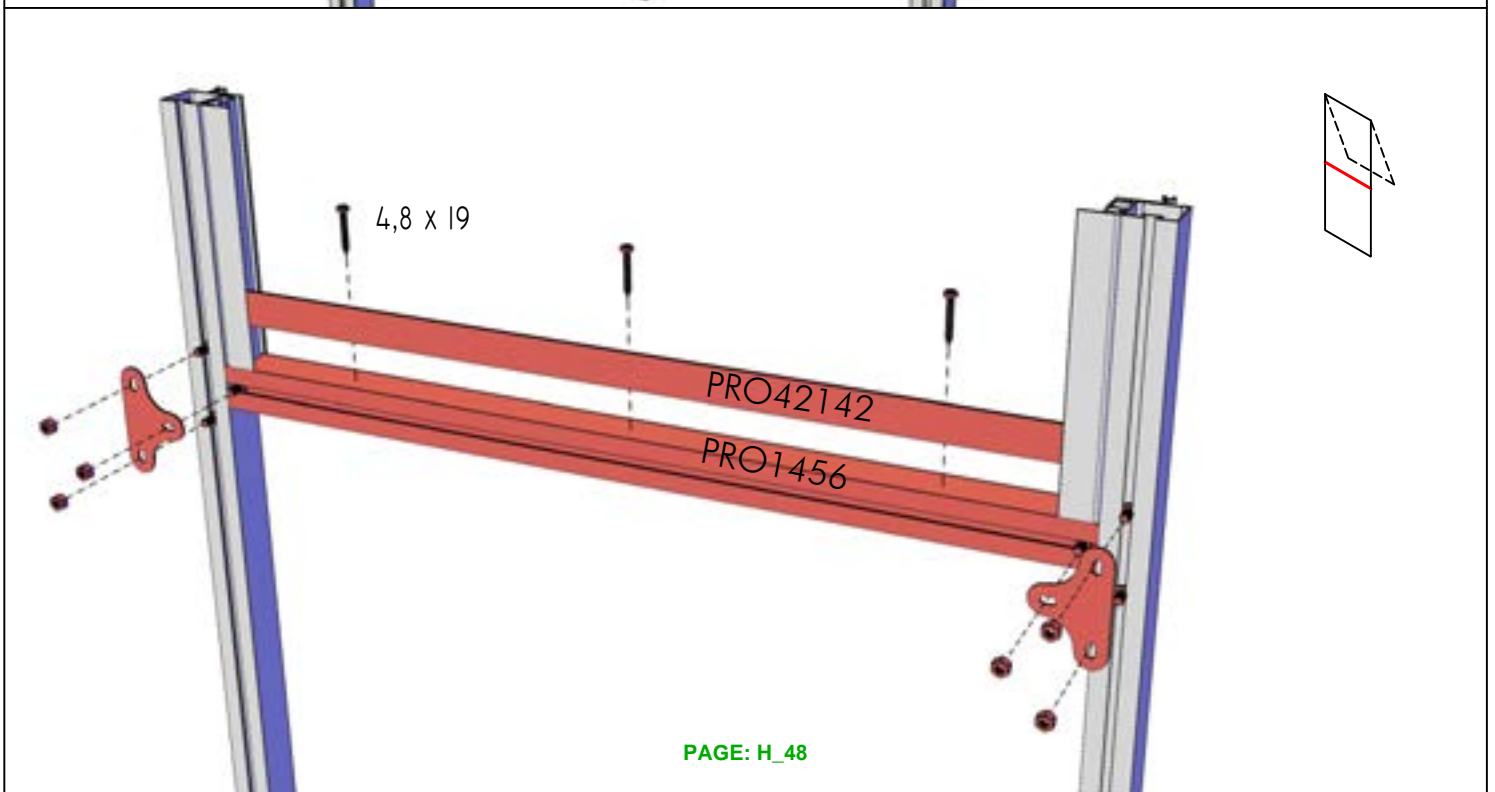
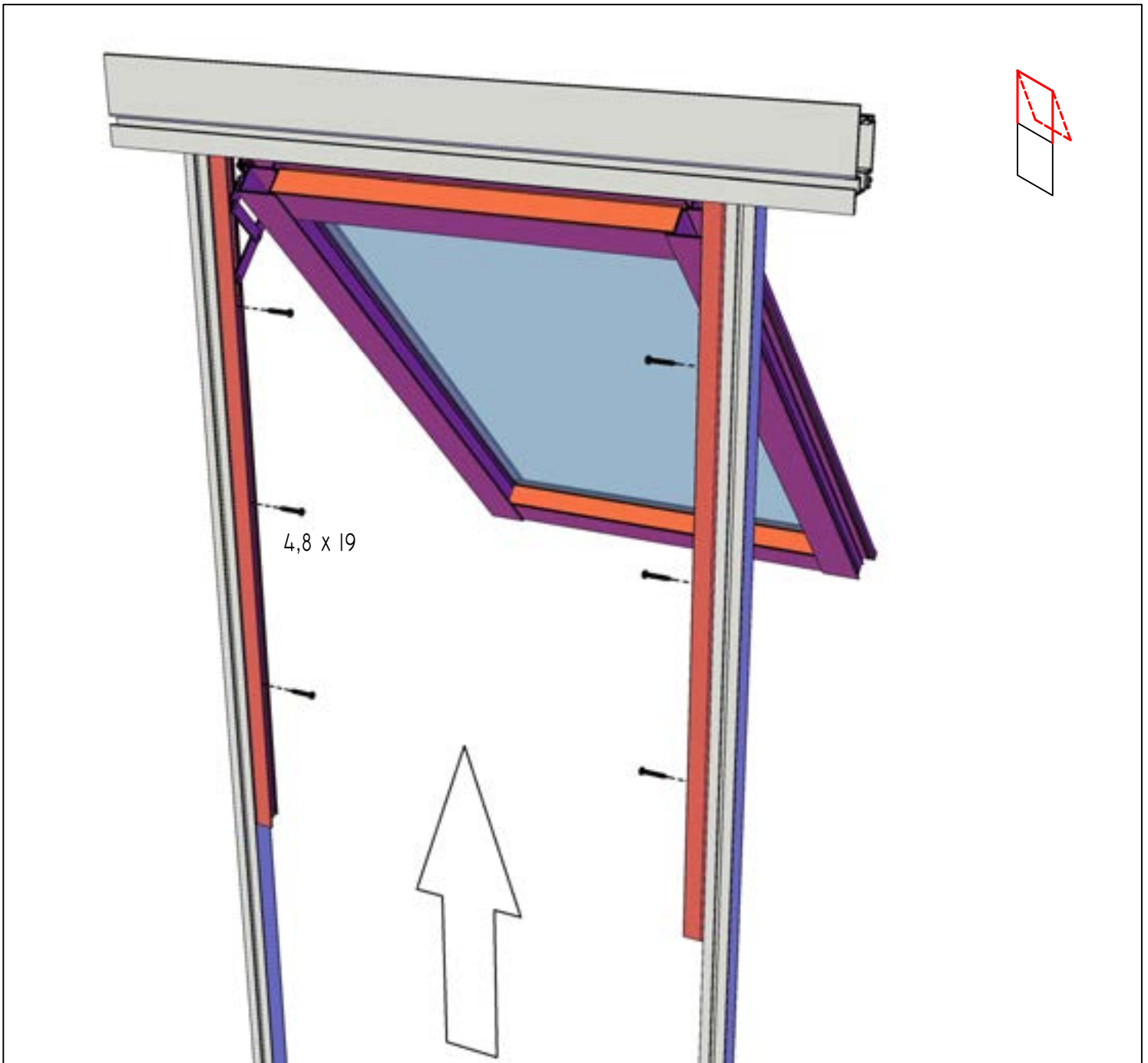
4

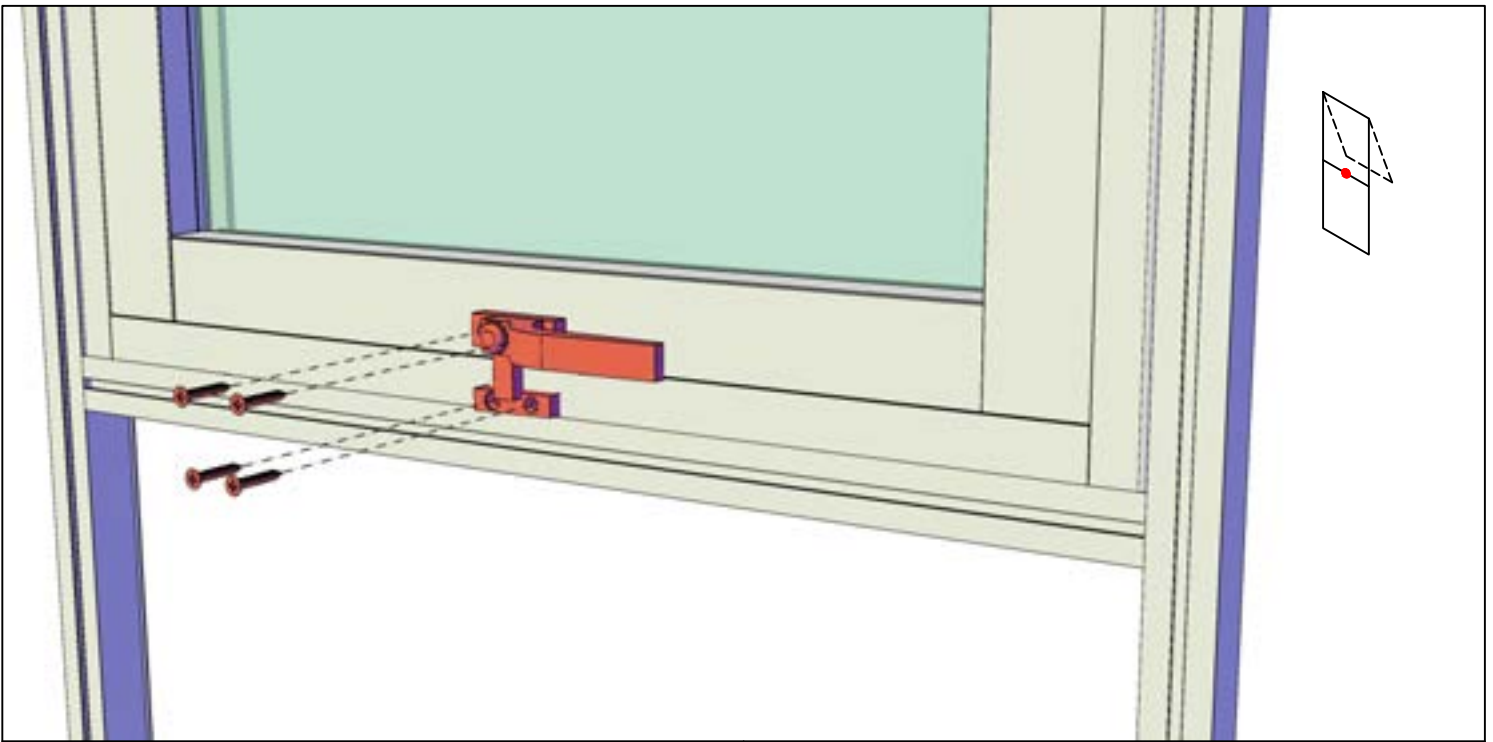


UITZETRAAM - FENÊTRE BASCULANTE - AUFSTELLFENSTER - TOPHANGWINDOW  
TOPPHENGSLET VINDU - TOPPHÄNGT SIDOFÖNSTER - FINESTRA BASCULANTE - TOPHÆGT VINDUE

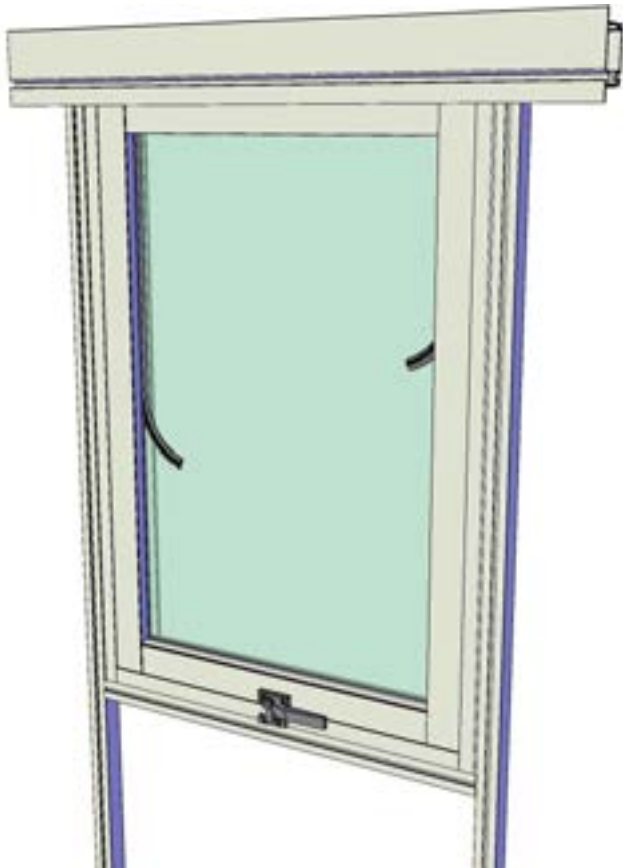




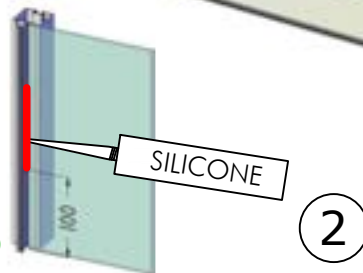
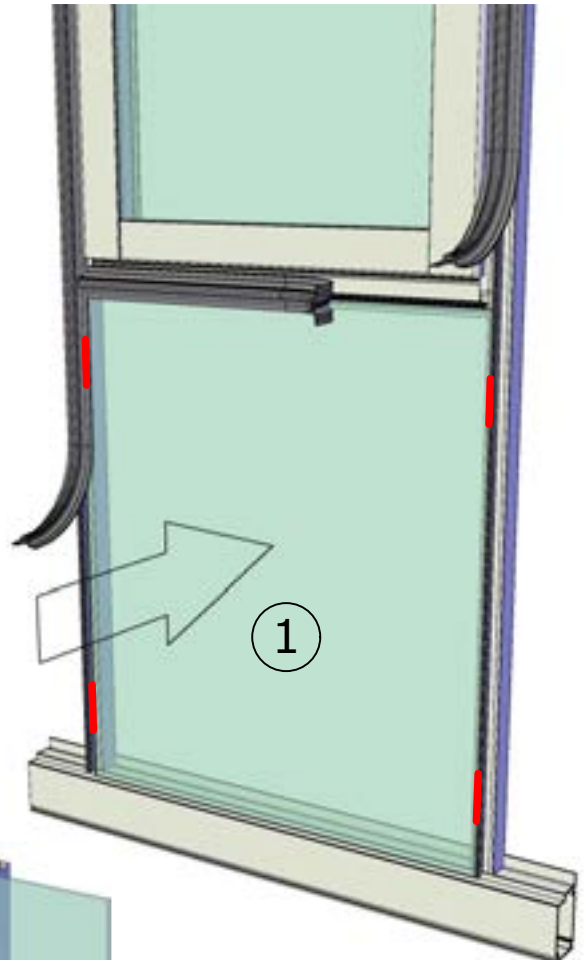




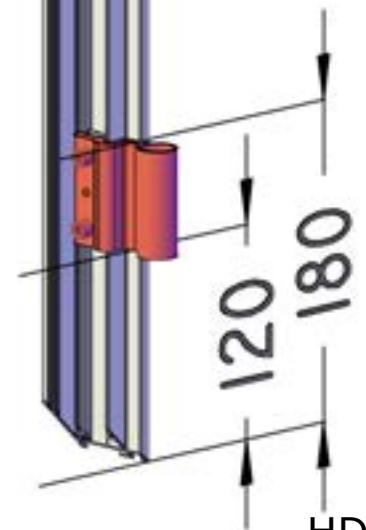
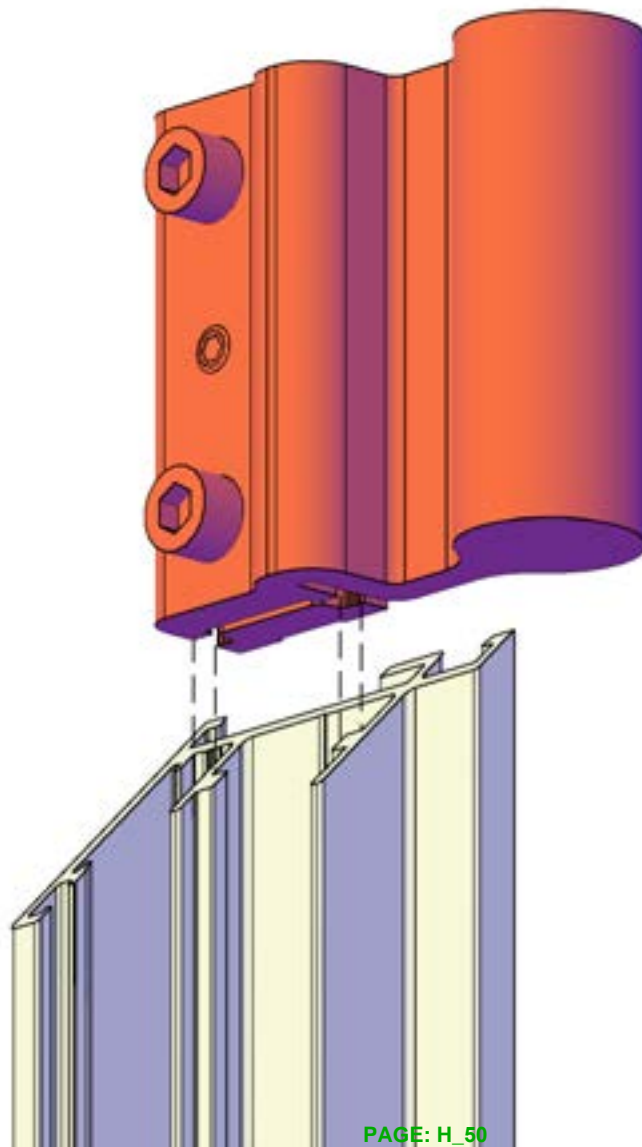
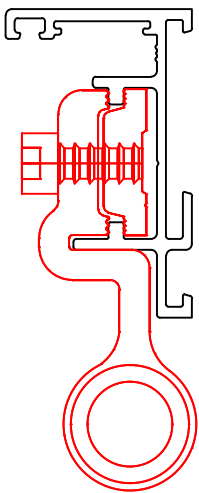
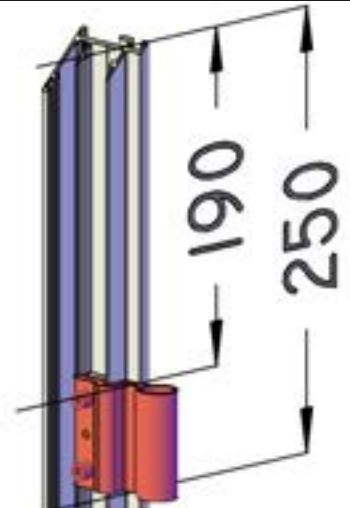
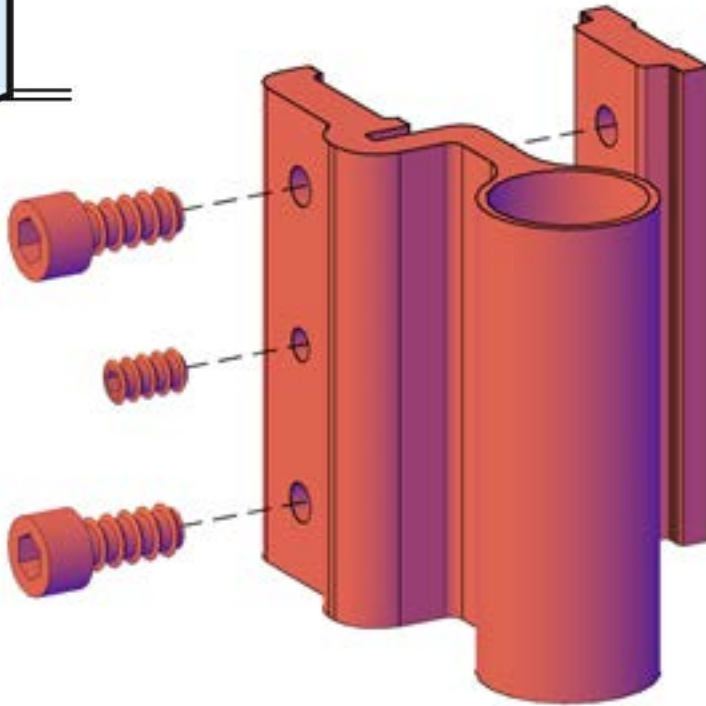
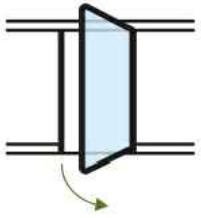
RUBBER E400330



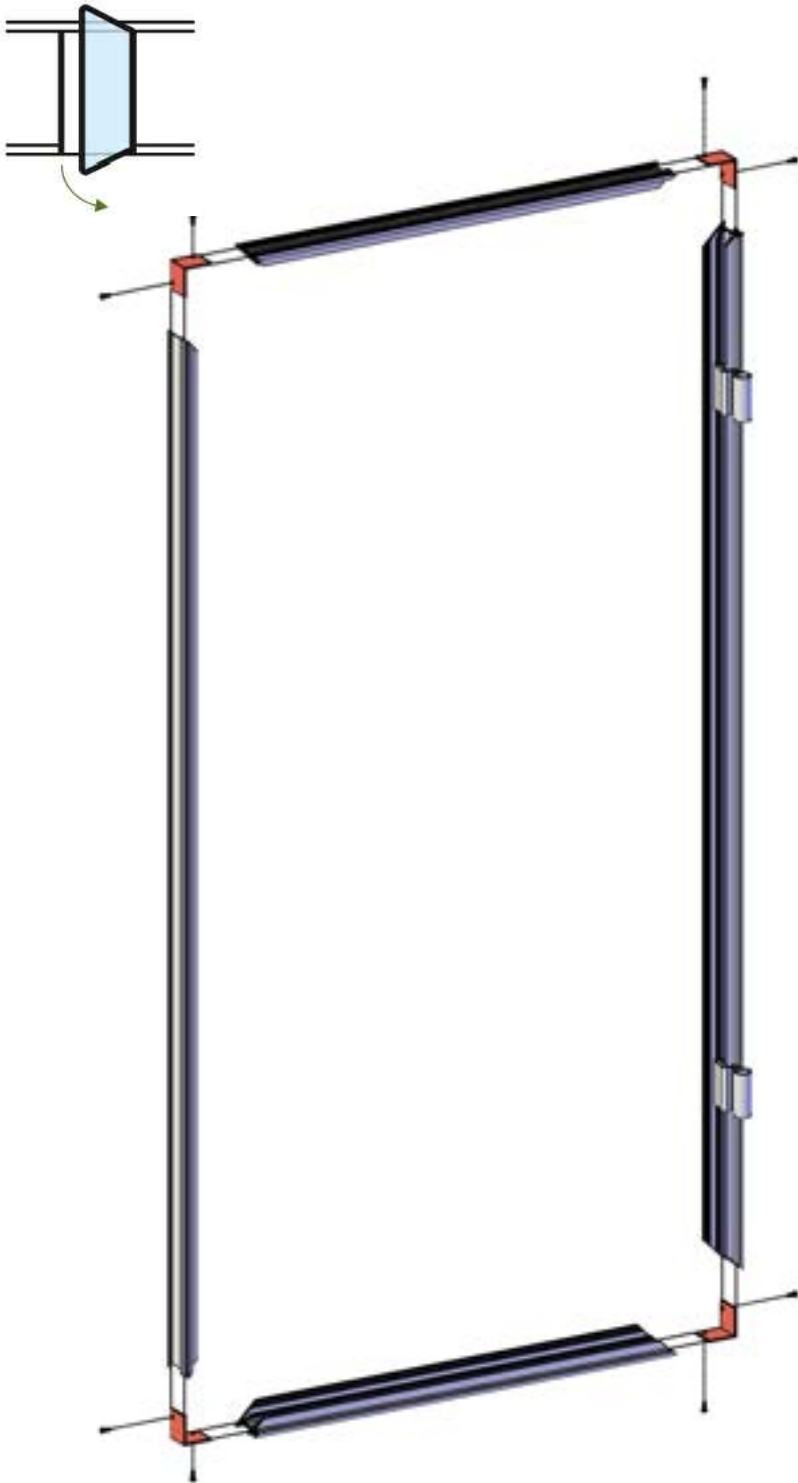
RUBBER PRO1748





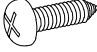


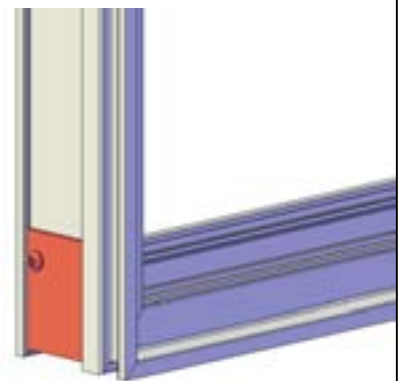
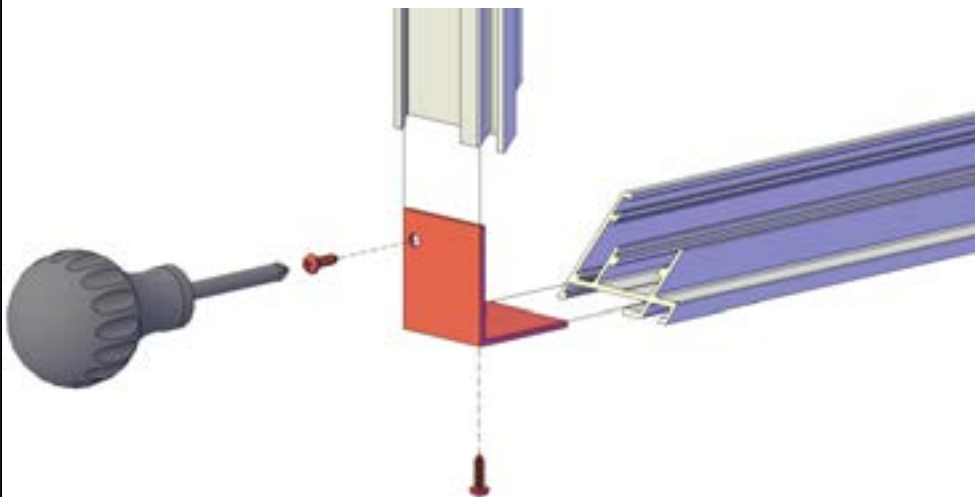
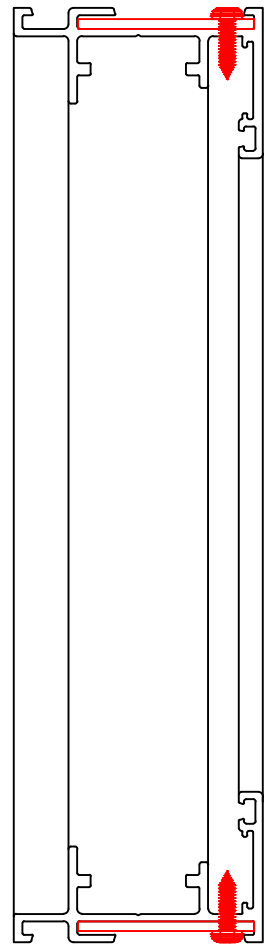
DRAAIDEUR - PORTE BATTANTE - DREHTÜR - HINGED DOOR

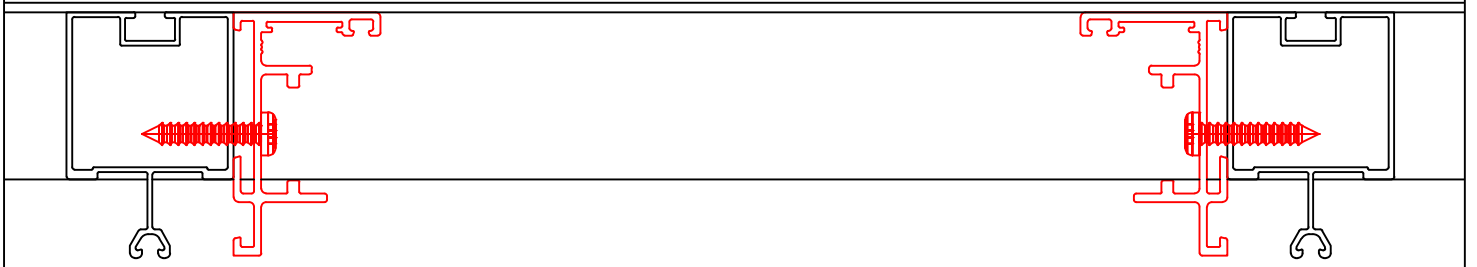
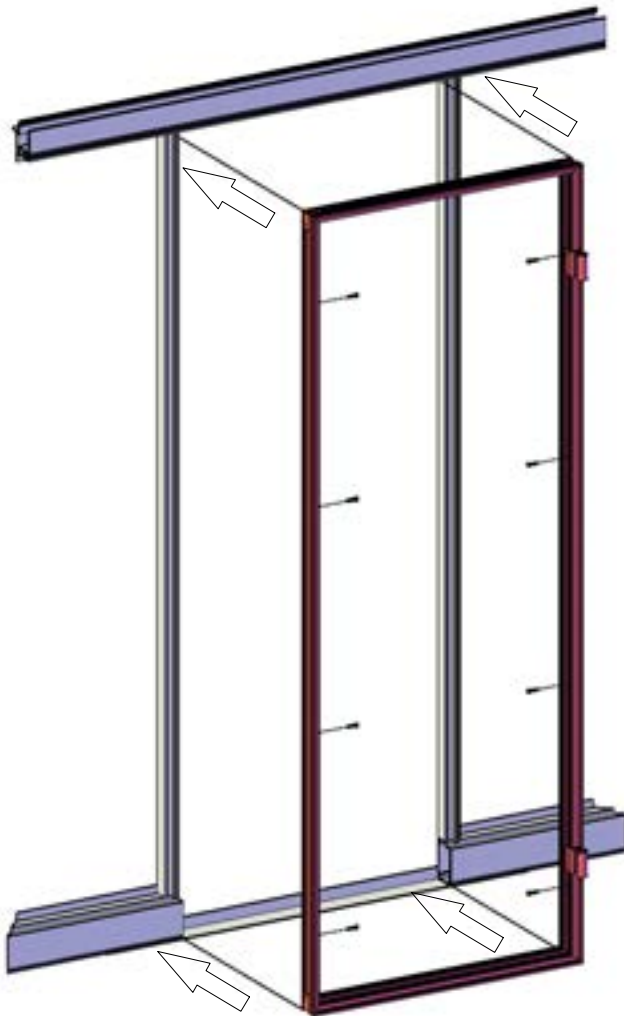
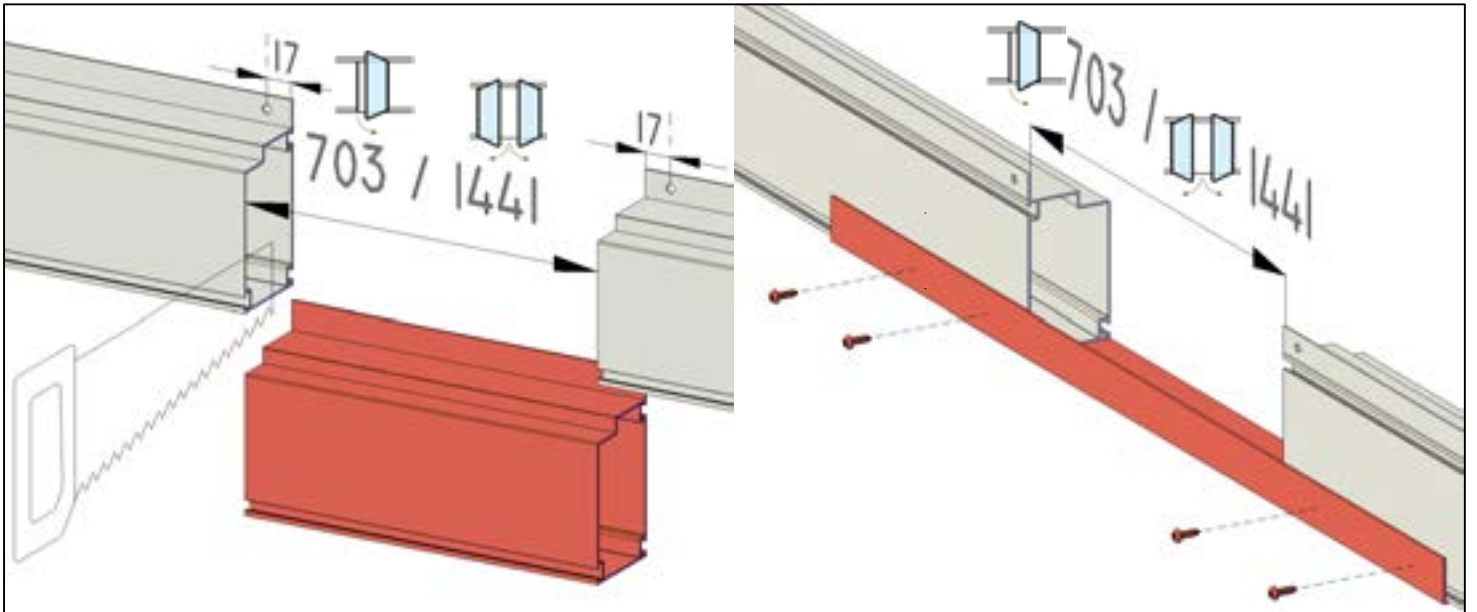


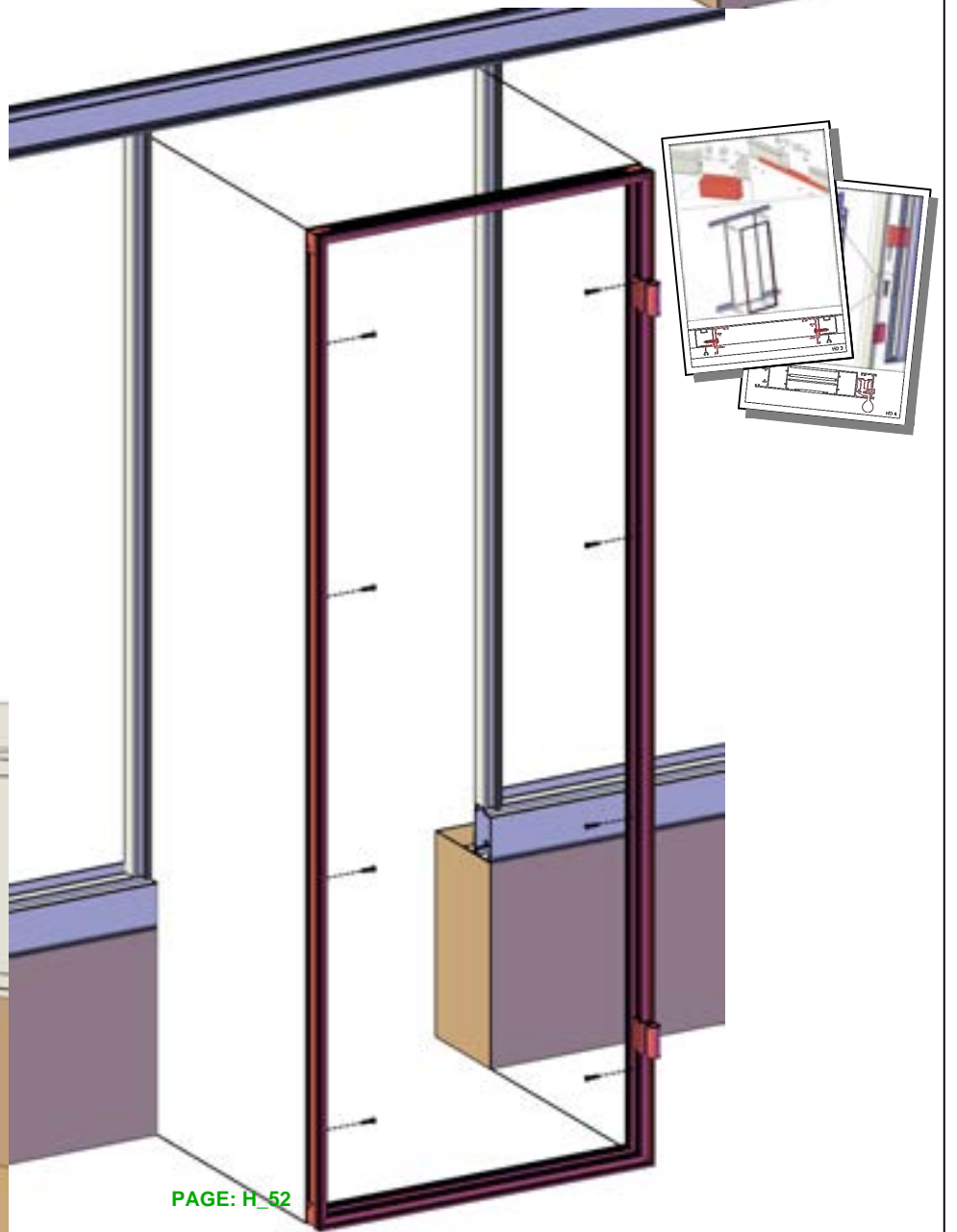
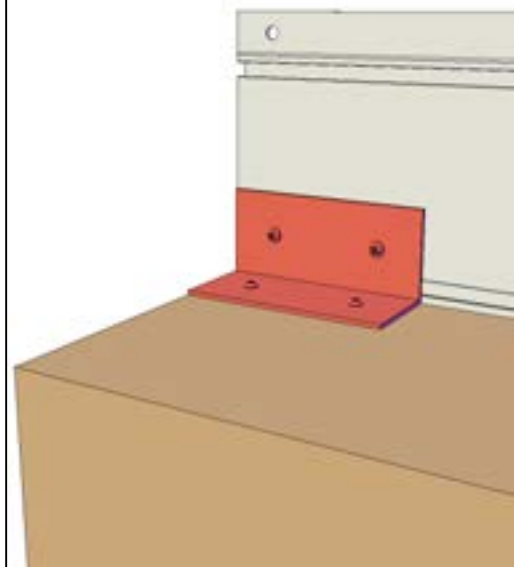
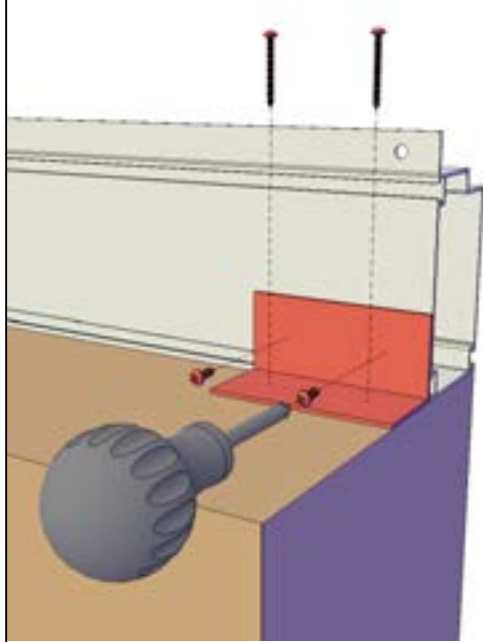
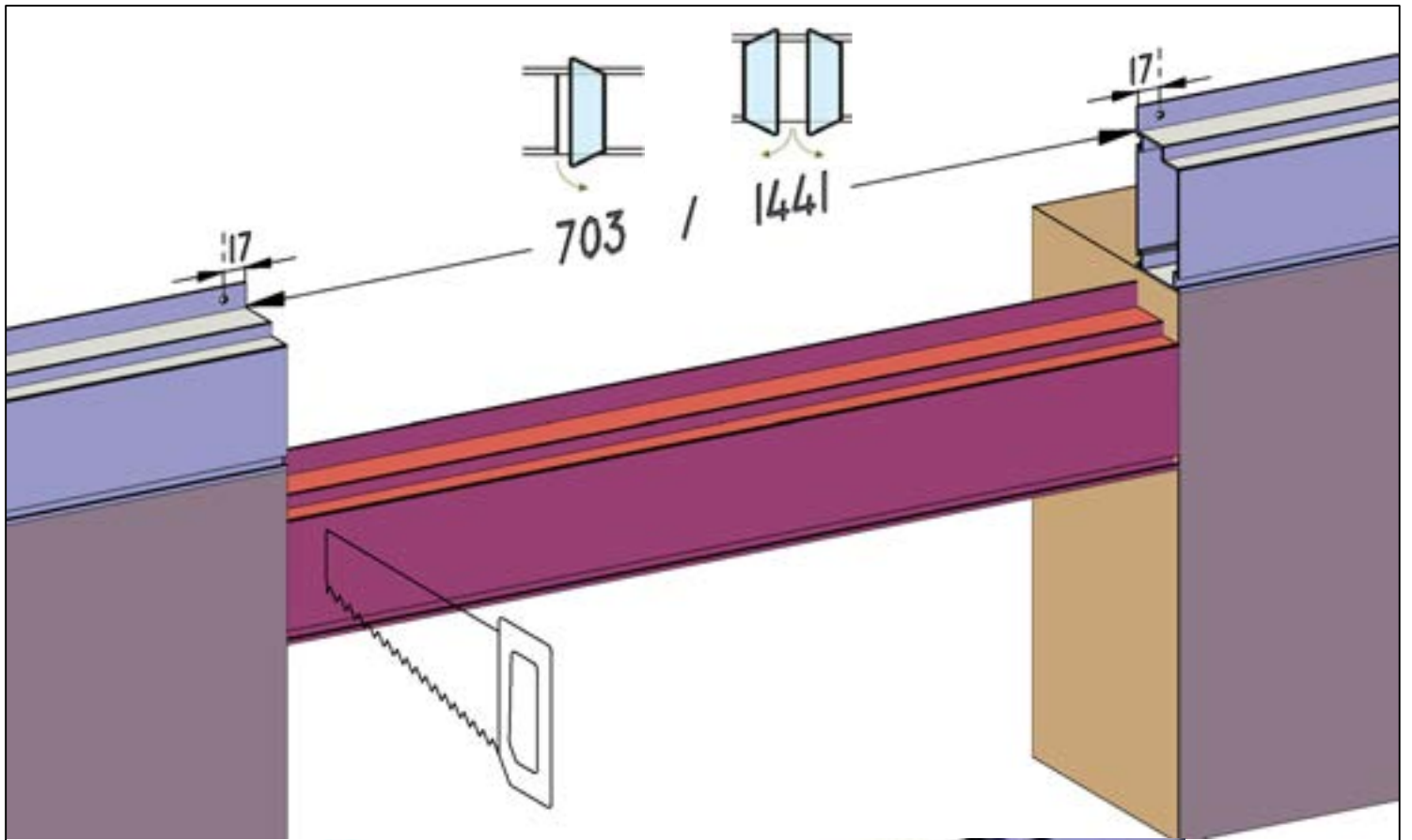




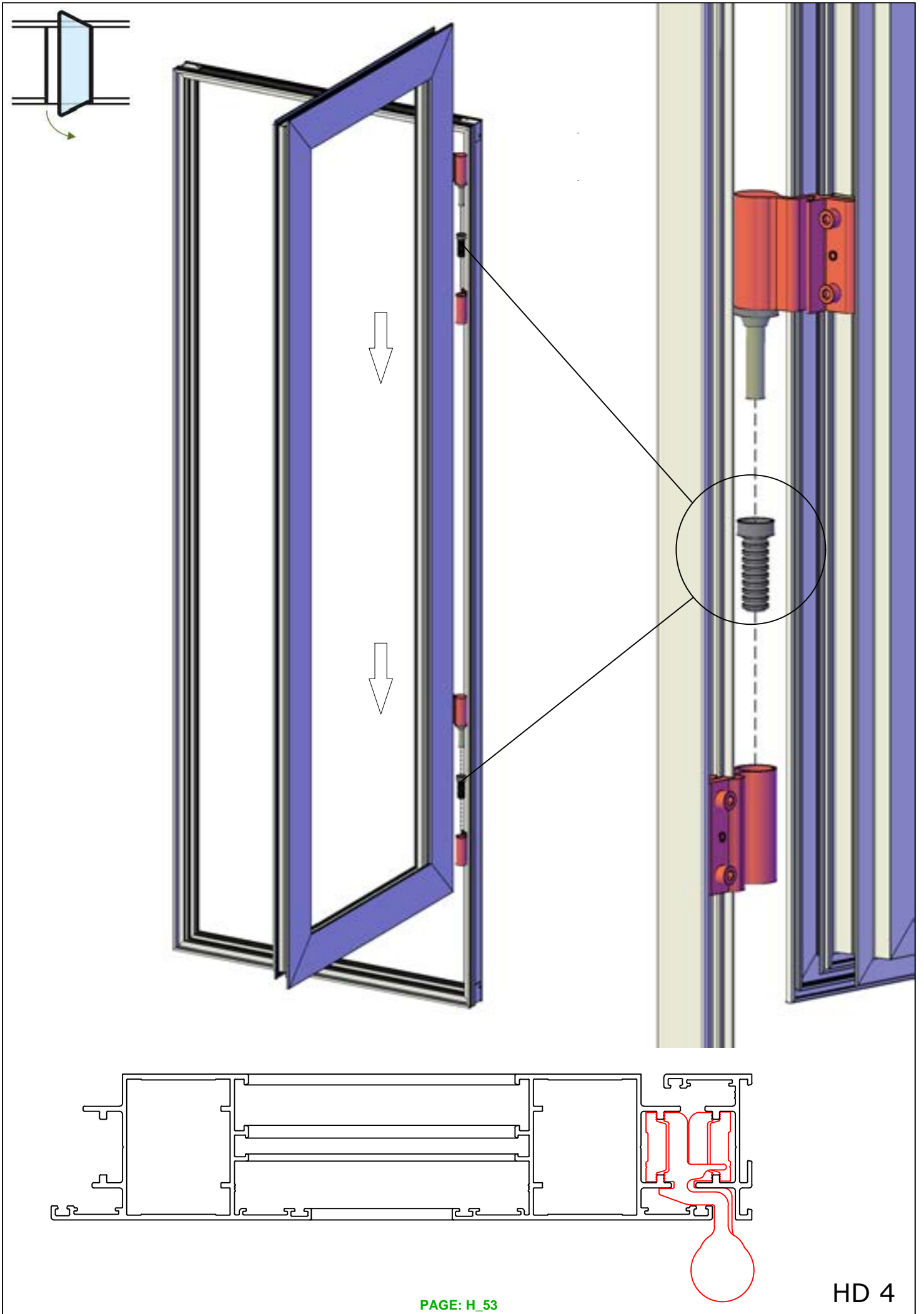
	ITEM	PC.	L
	L 40X40	4 PC	36 MM
	PRO6280	2 PC	703 MM
	PRO6280	2 PC	1.441 MM
	PRO6280	2 PC	1.930 MM
	4,2 x 13	8 PC	

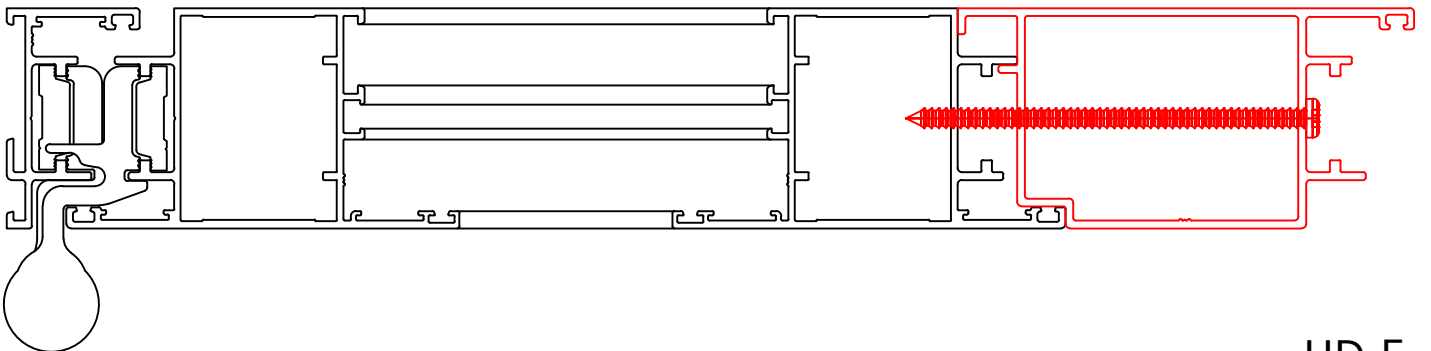
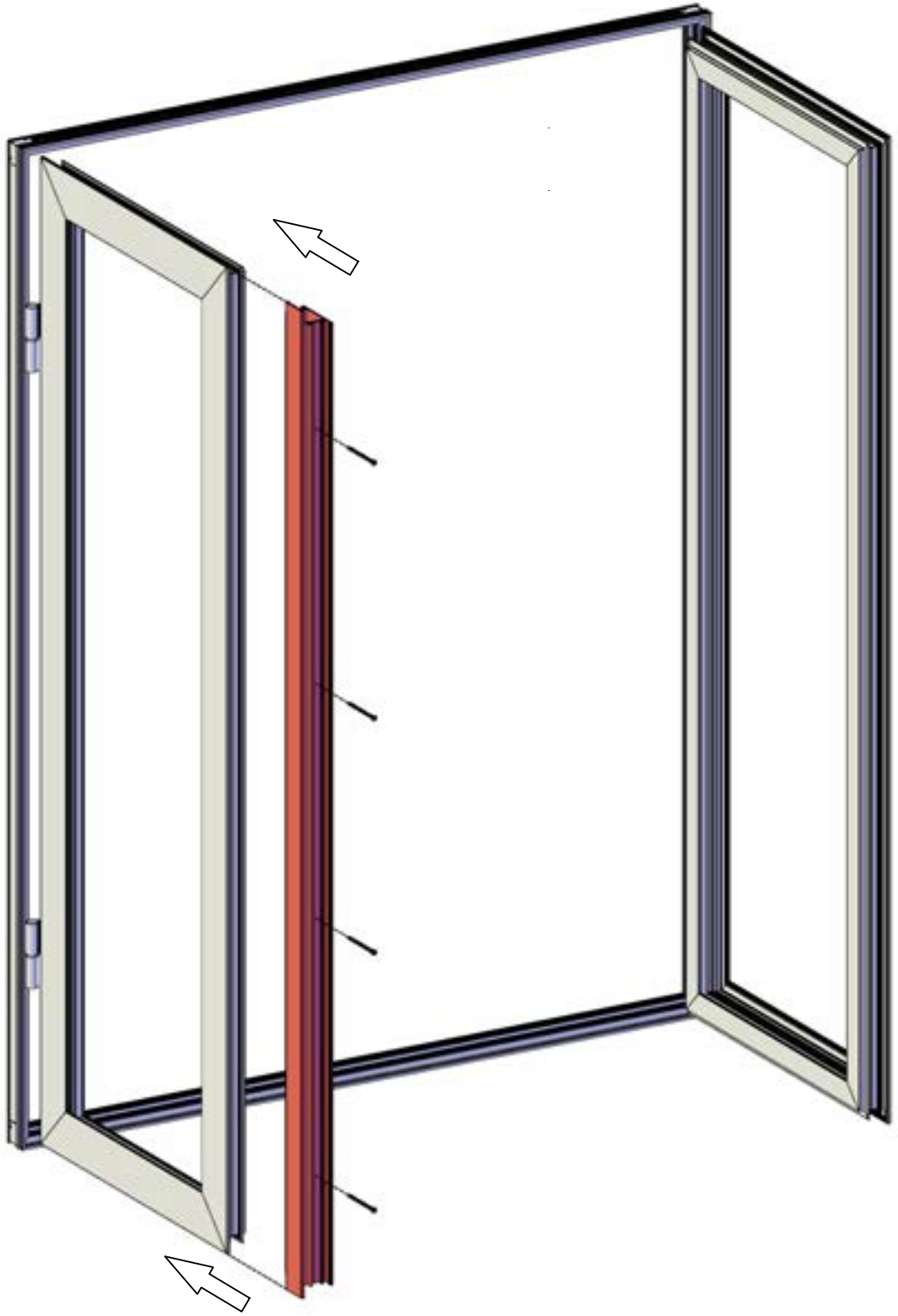


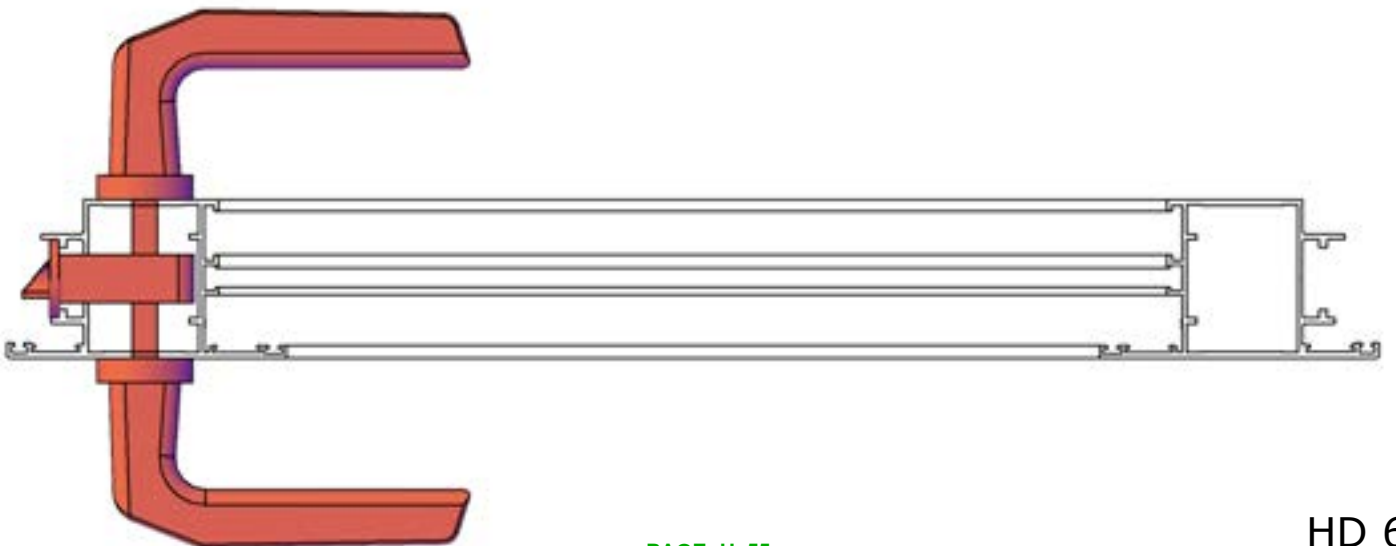
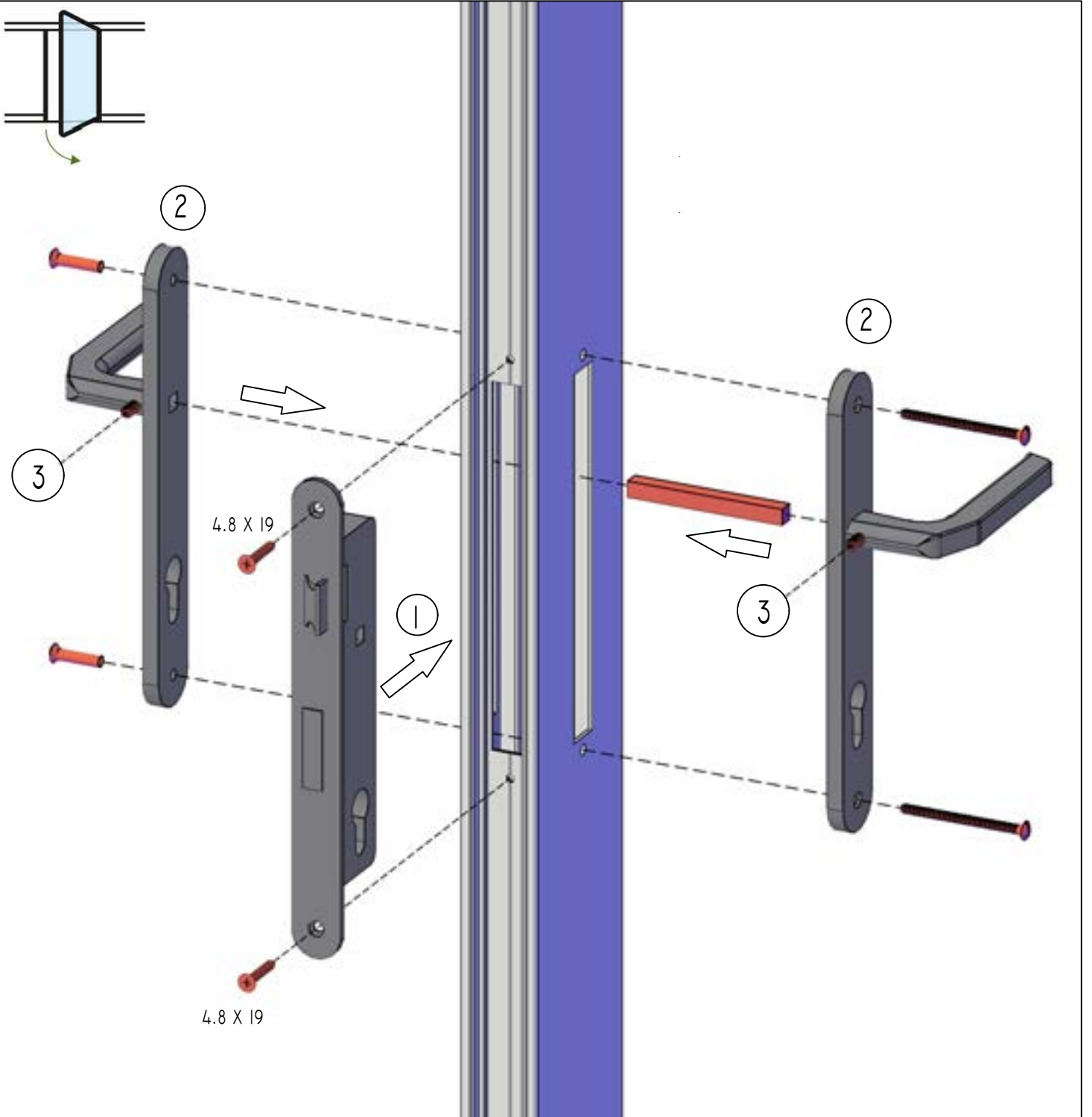




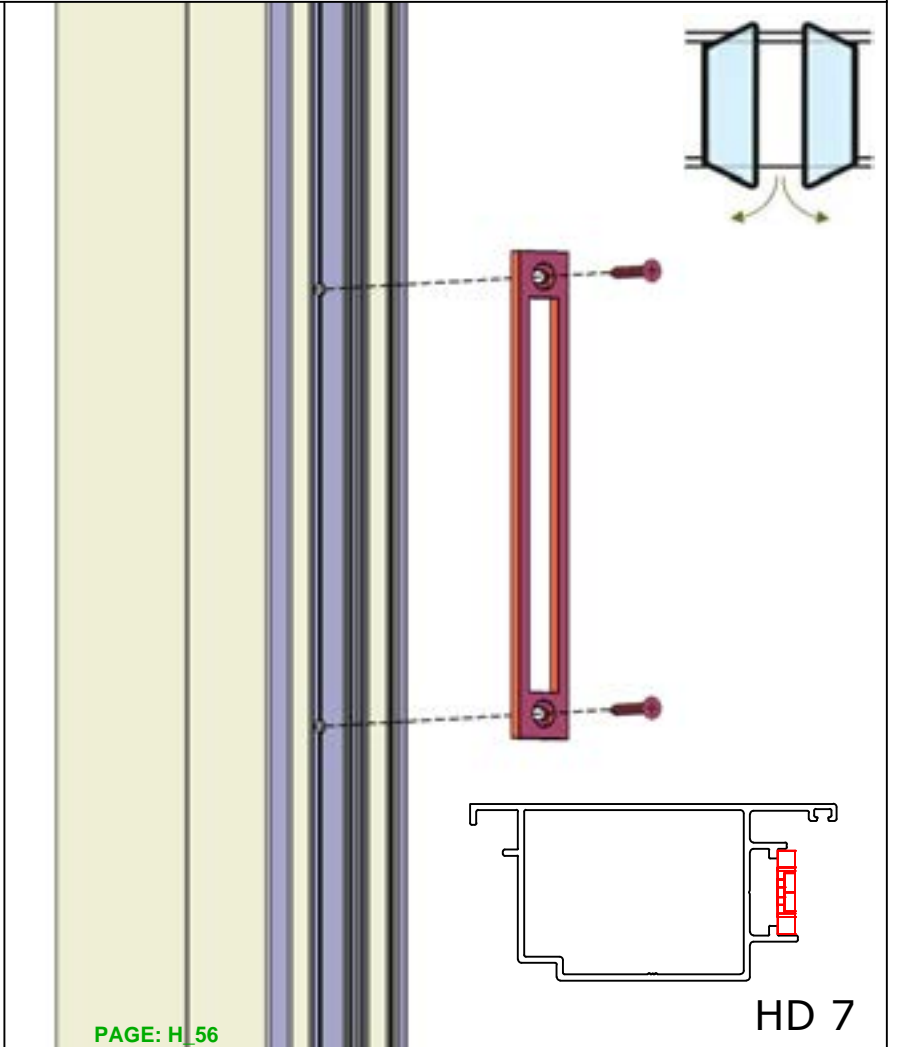
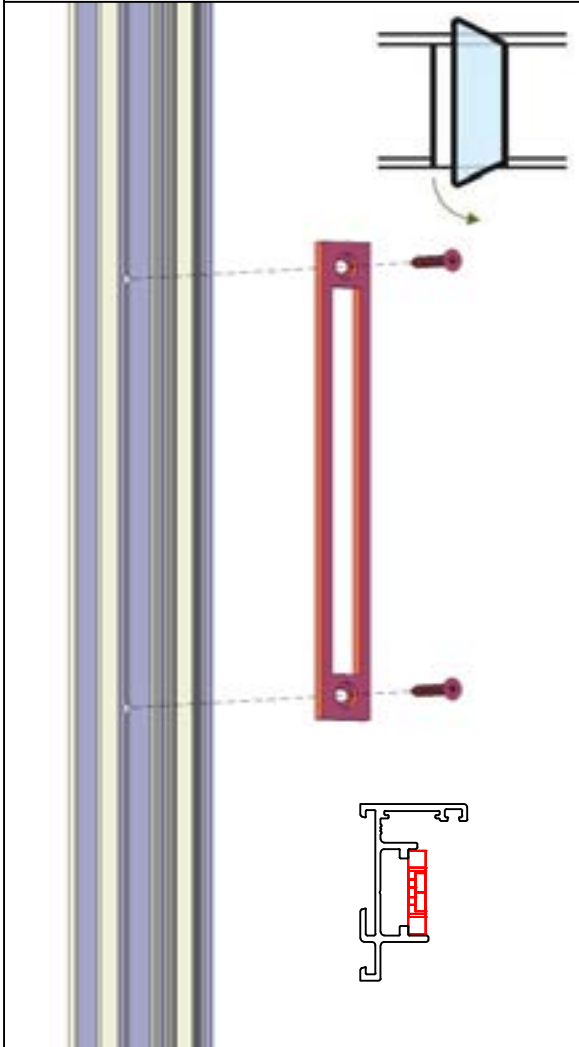
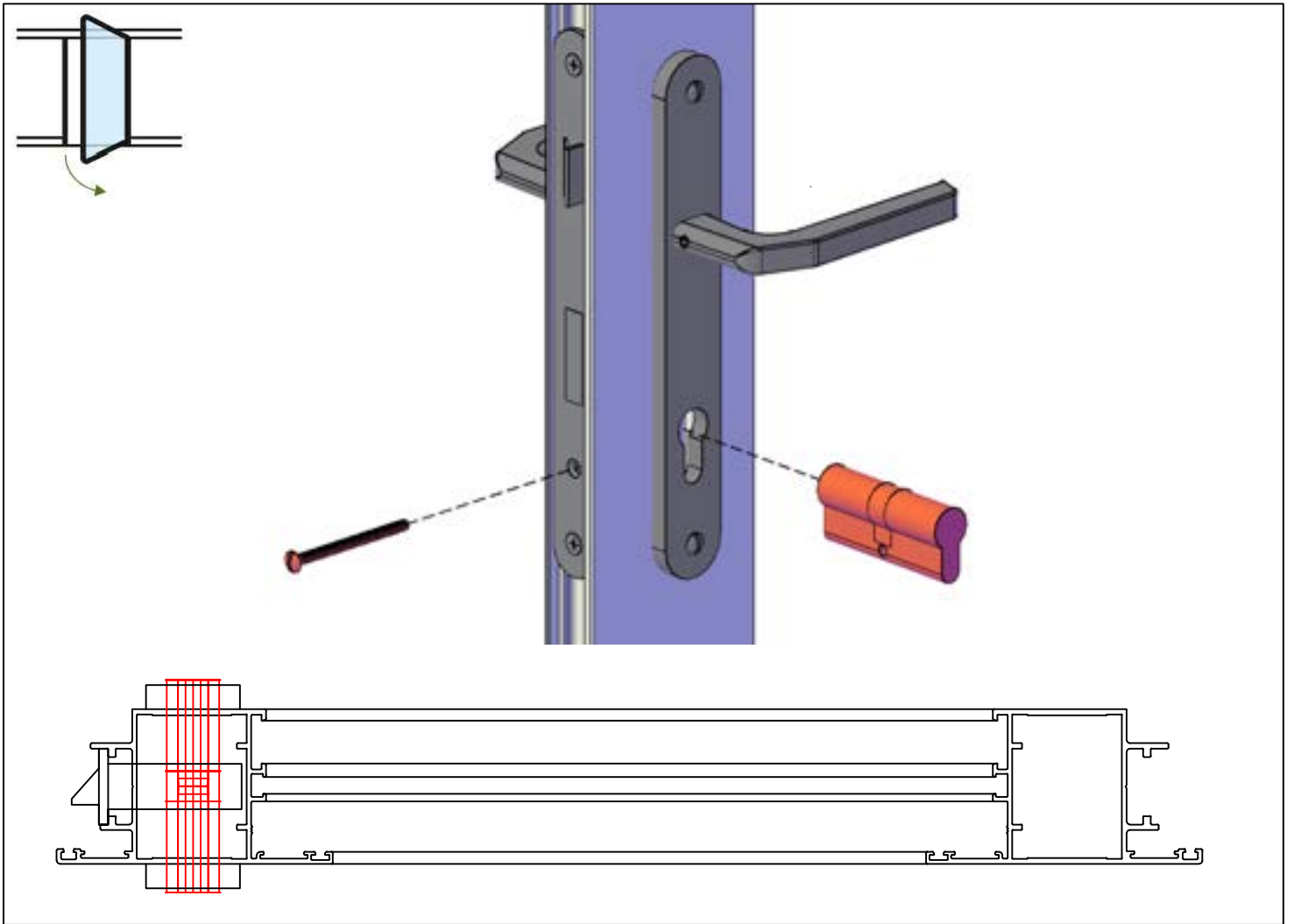


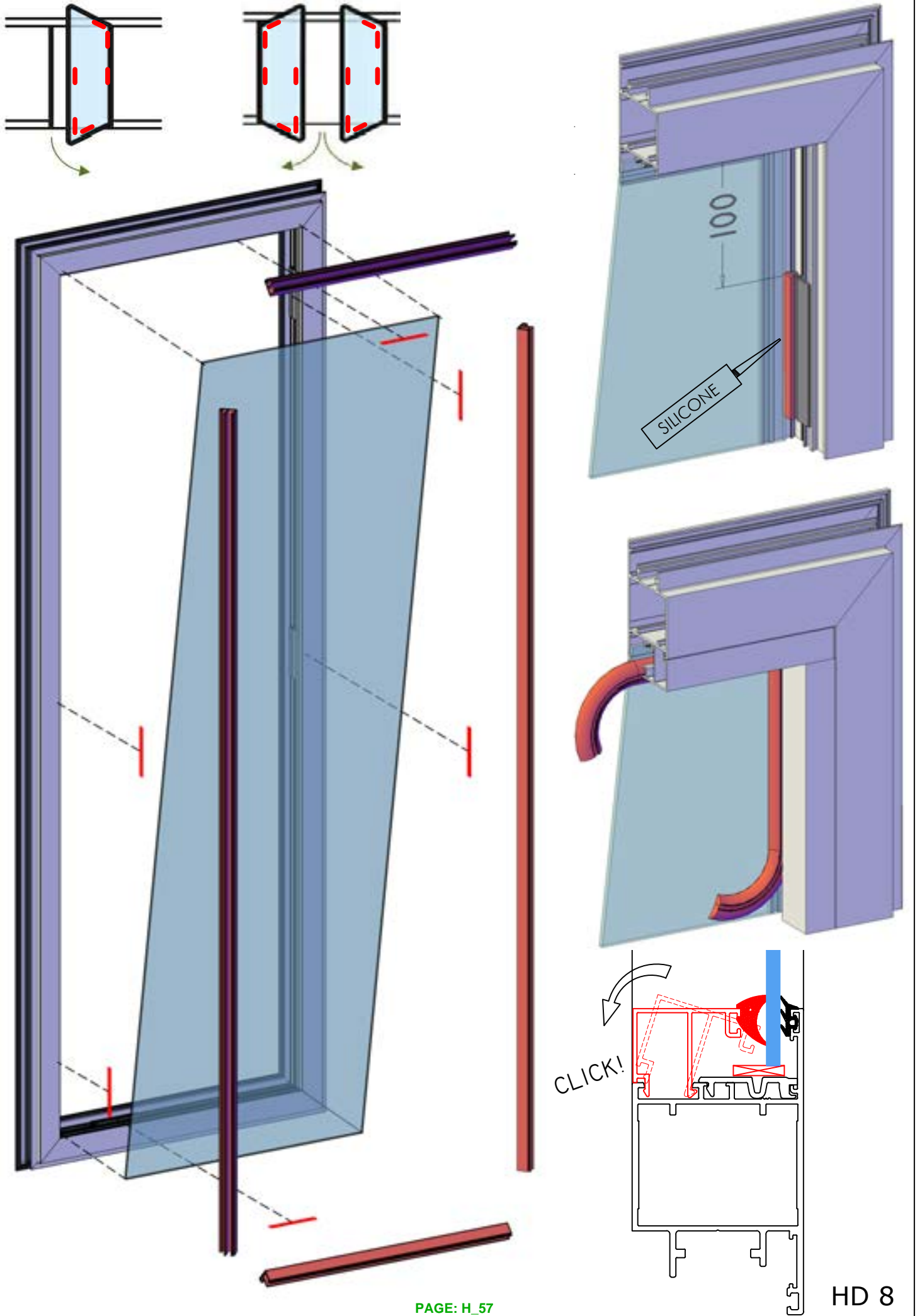


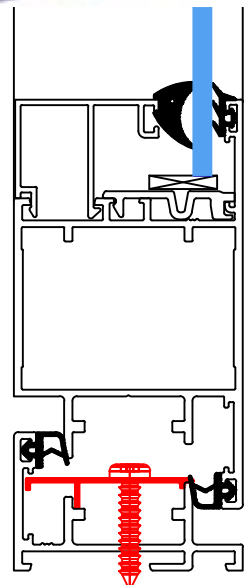
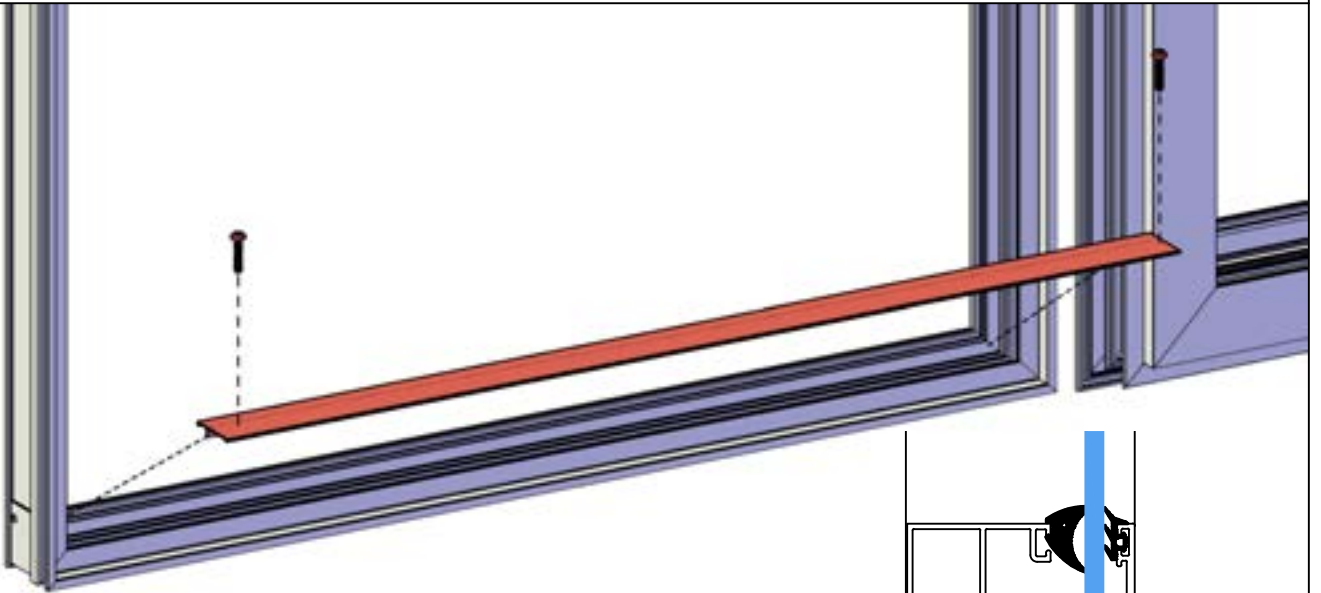
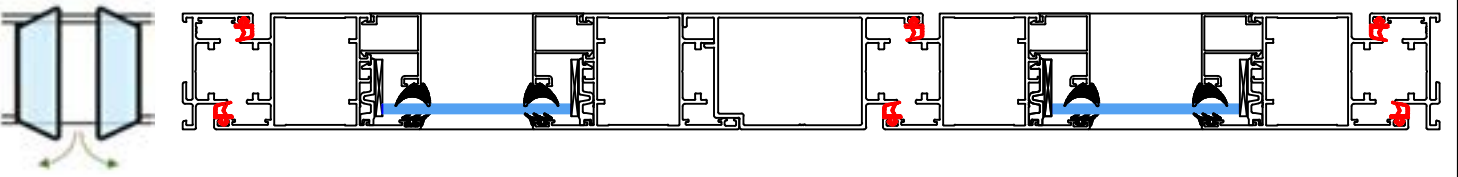
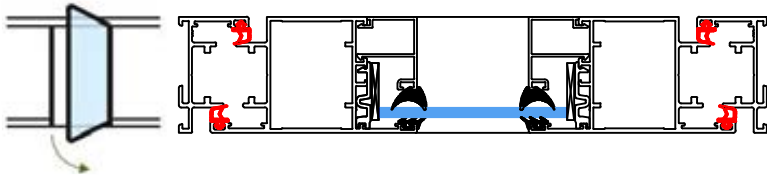
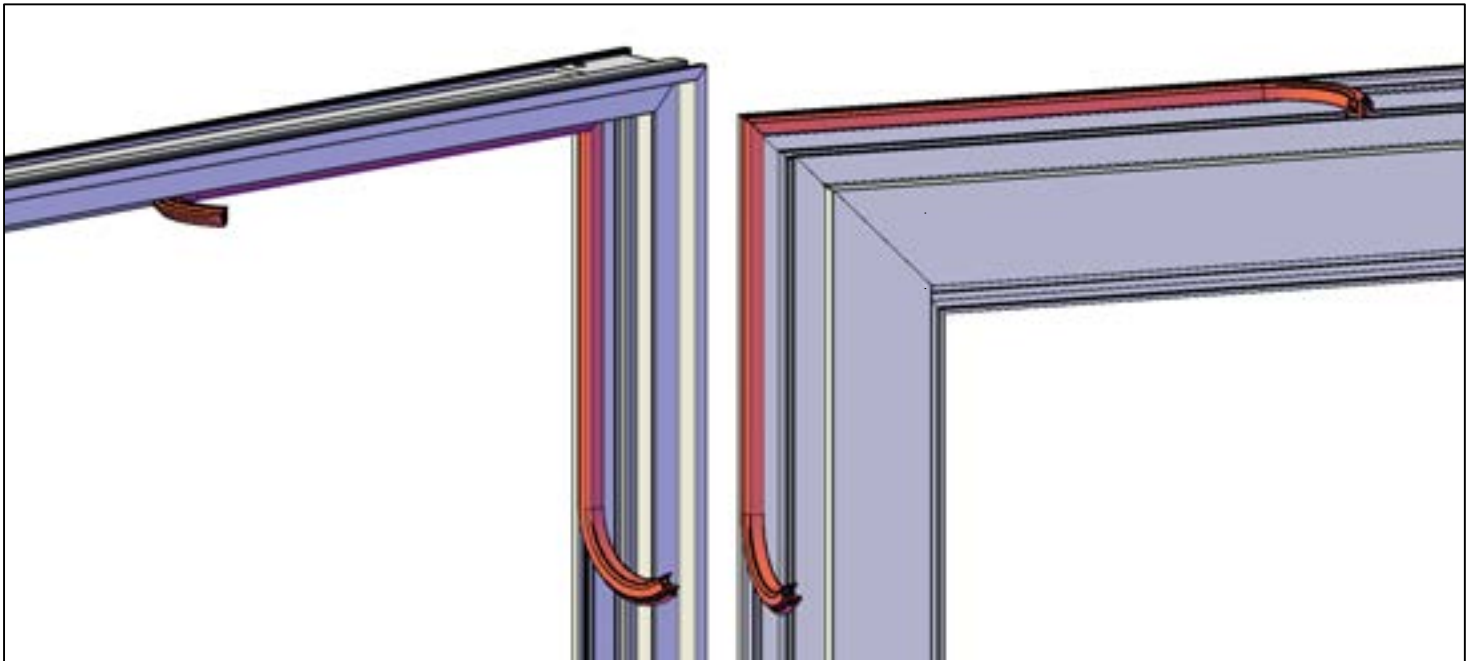




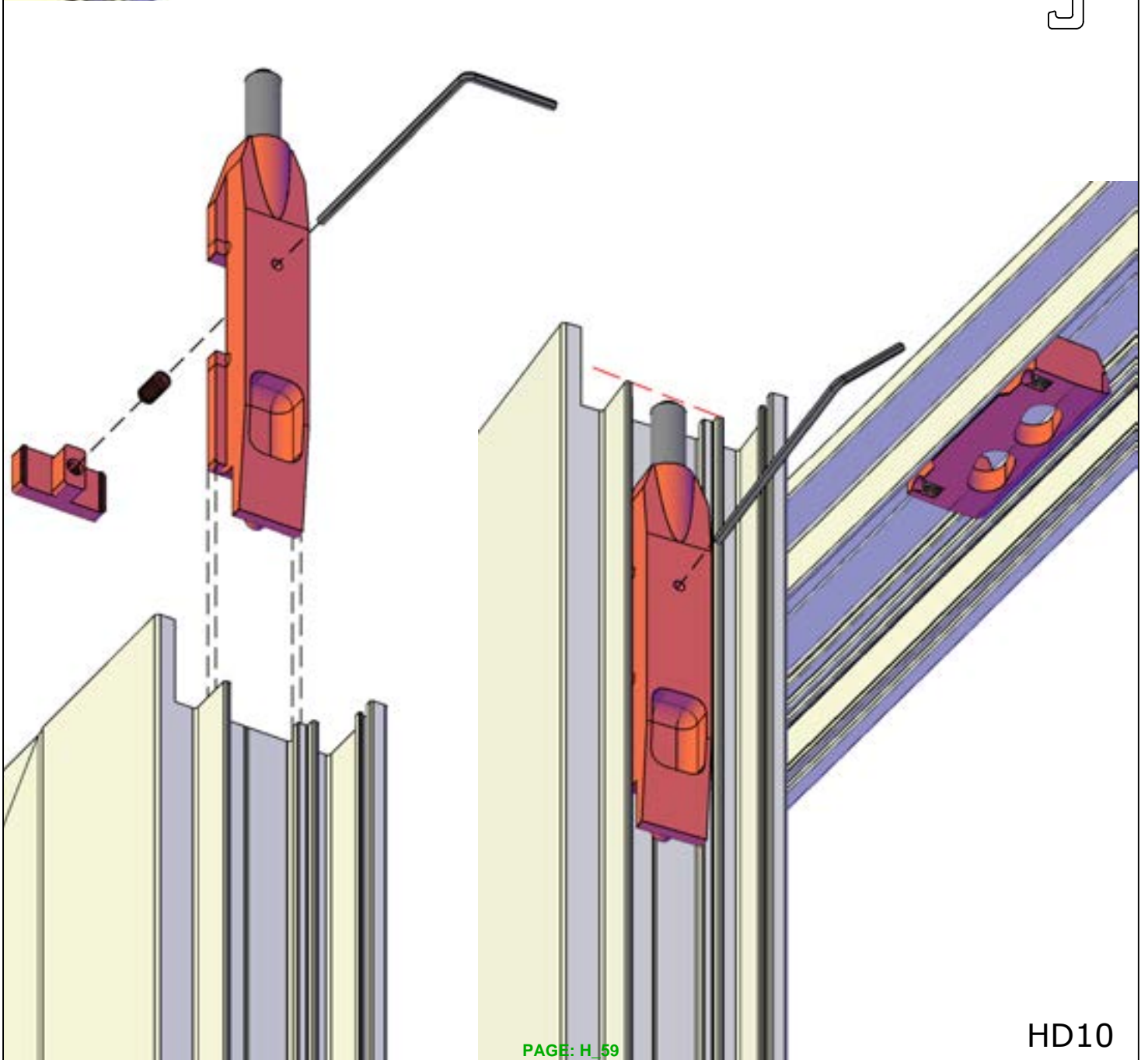
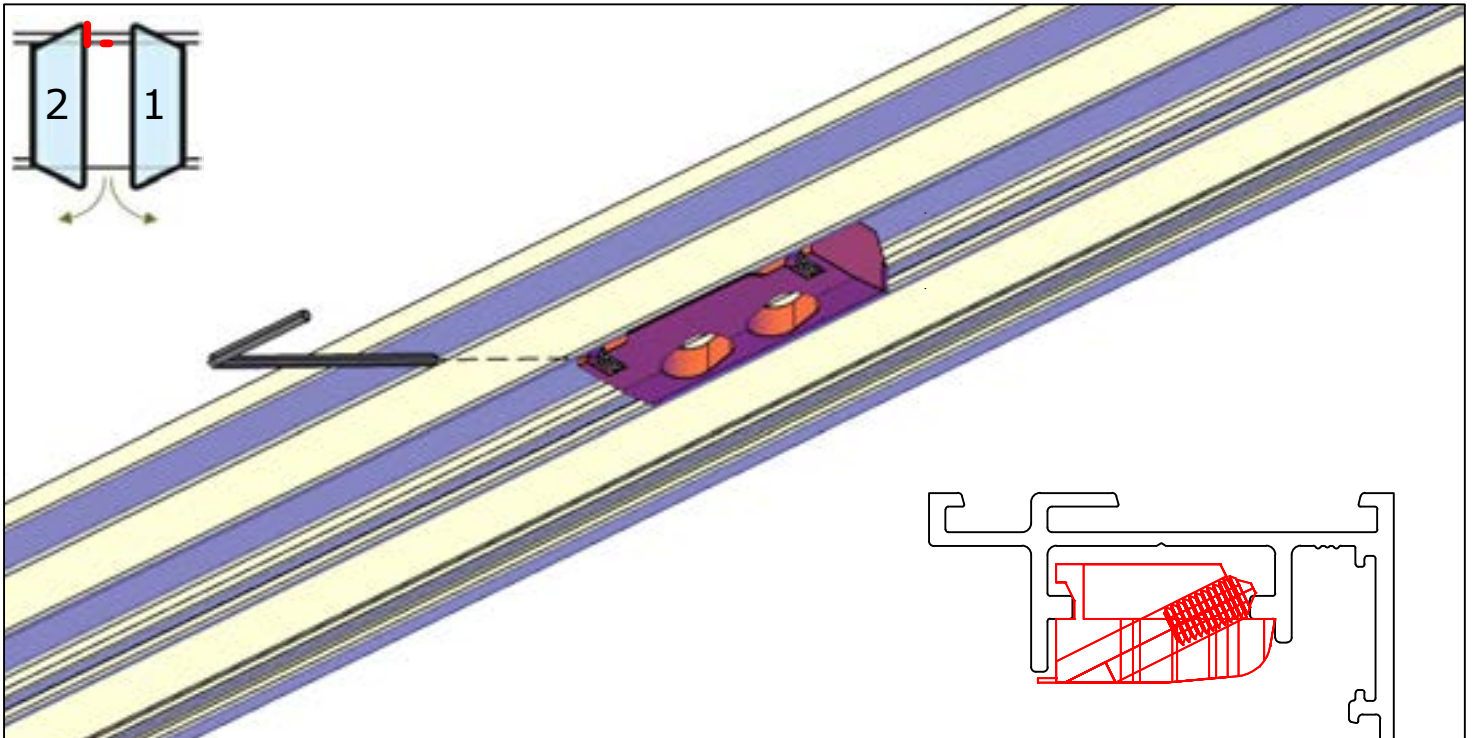


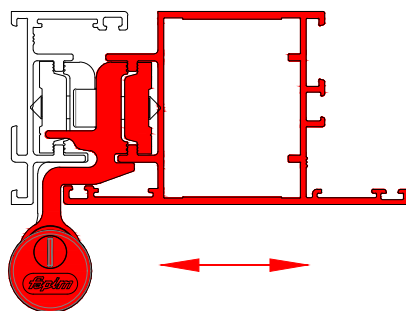
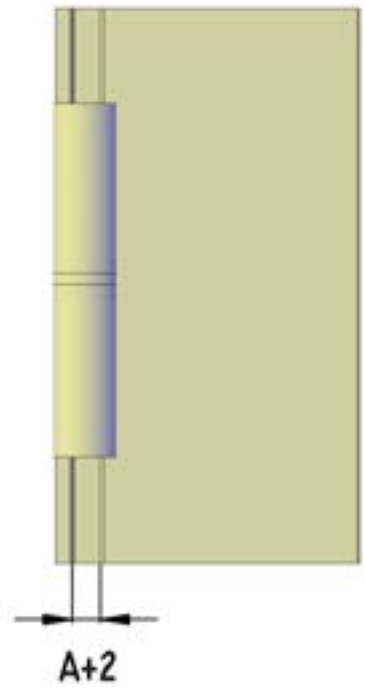
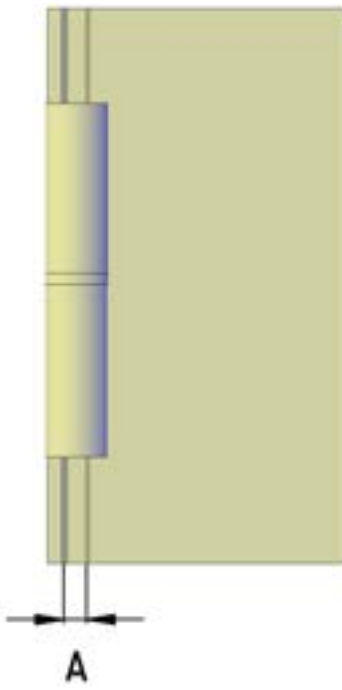
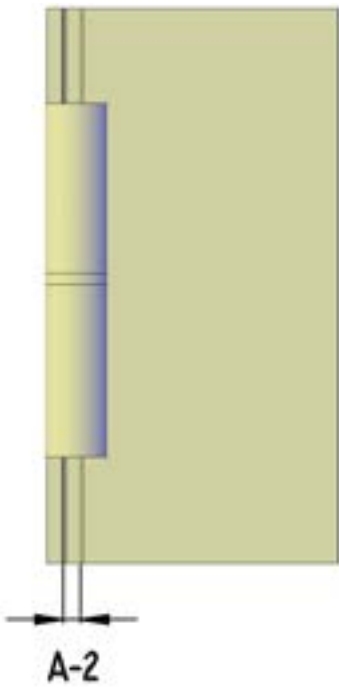
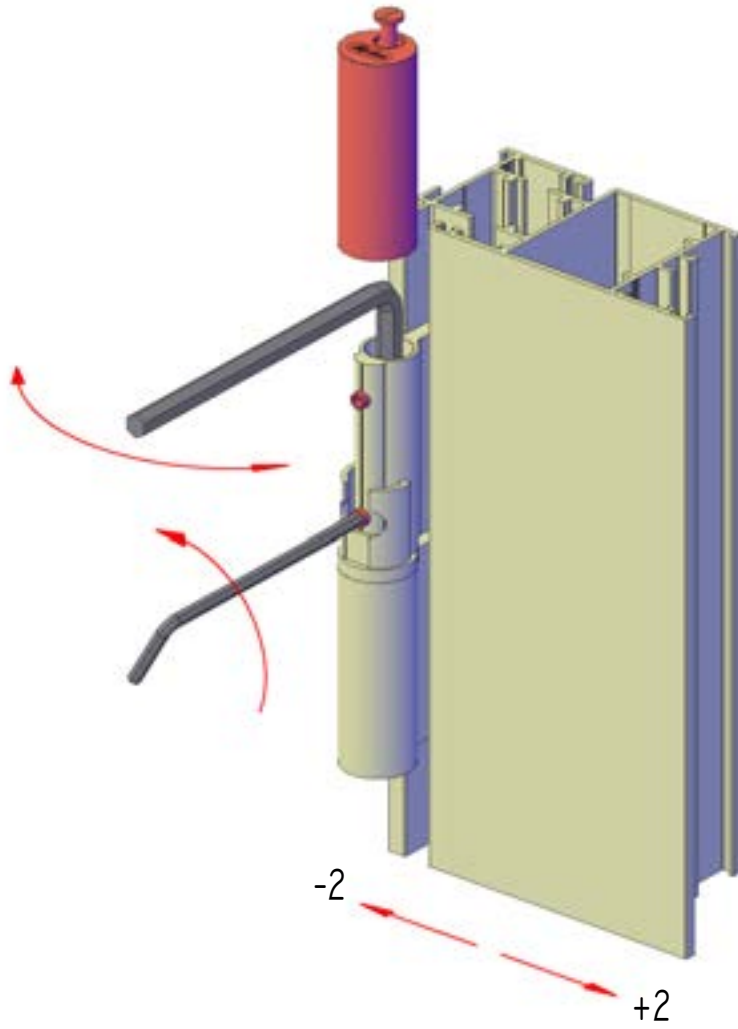


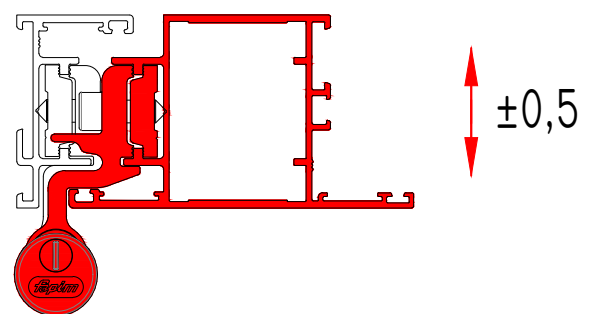
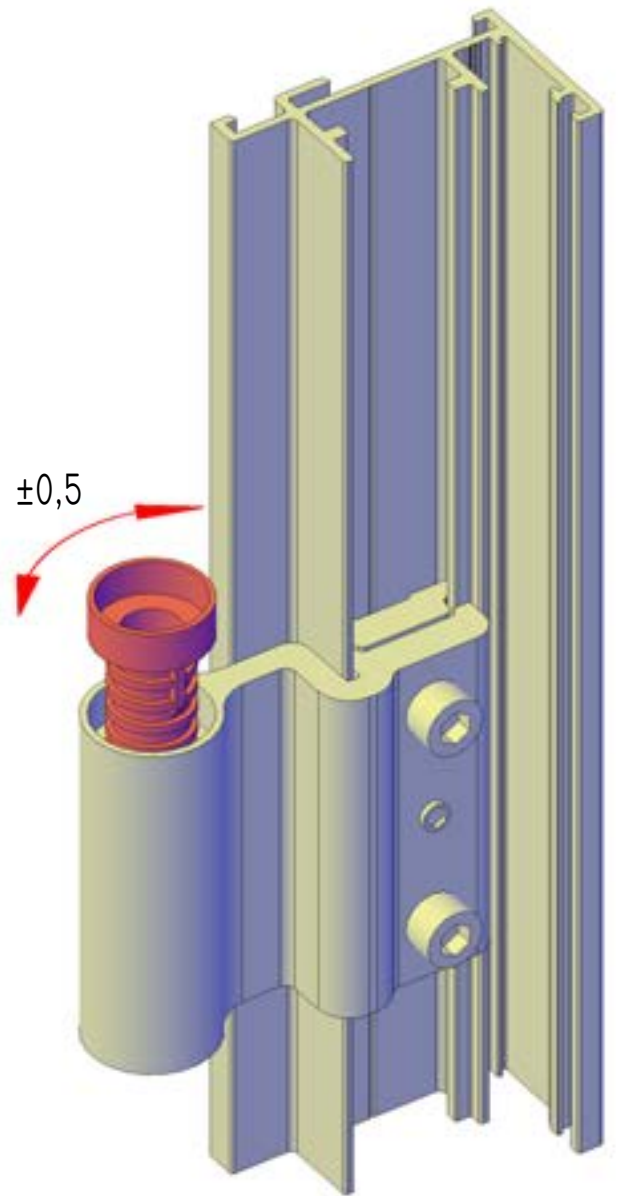
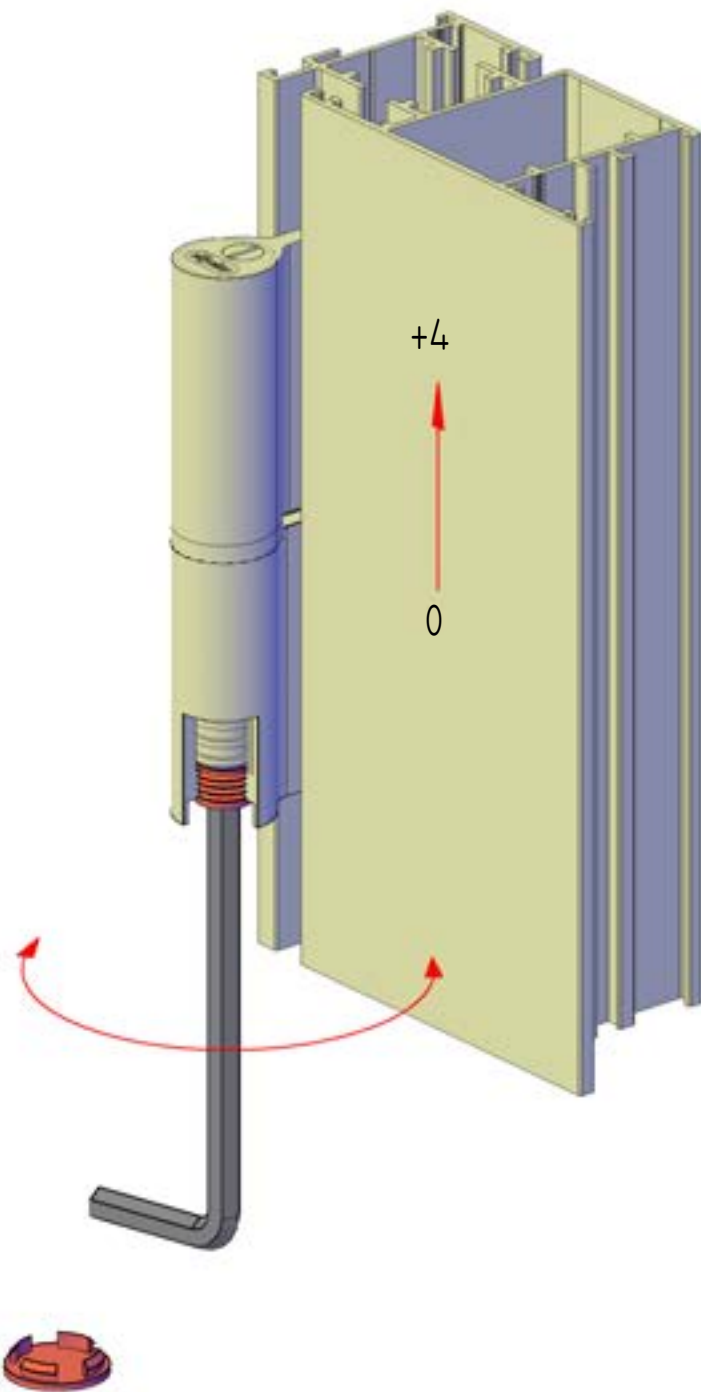






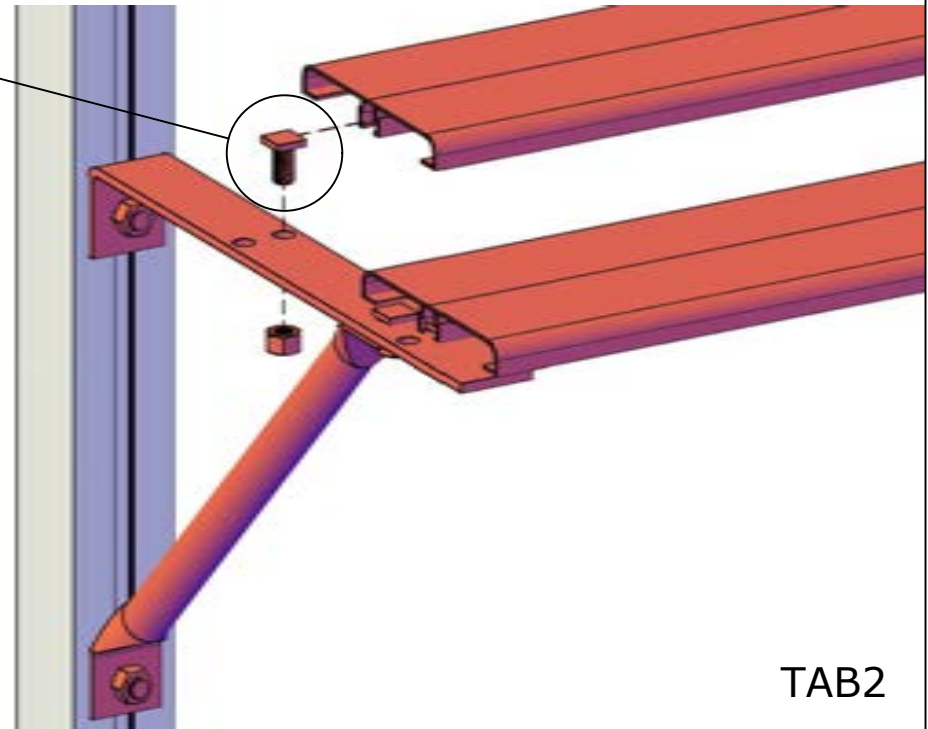
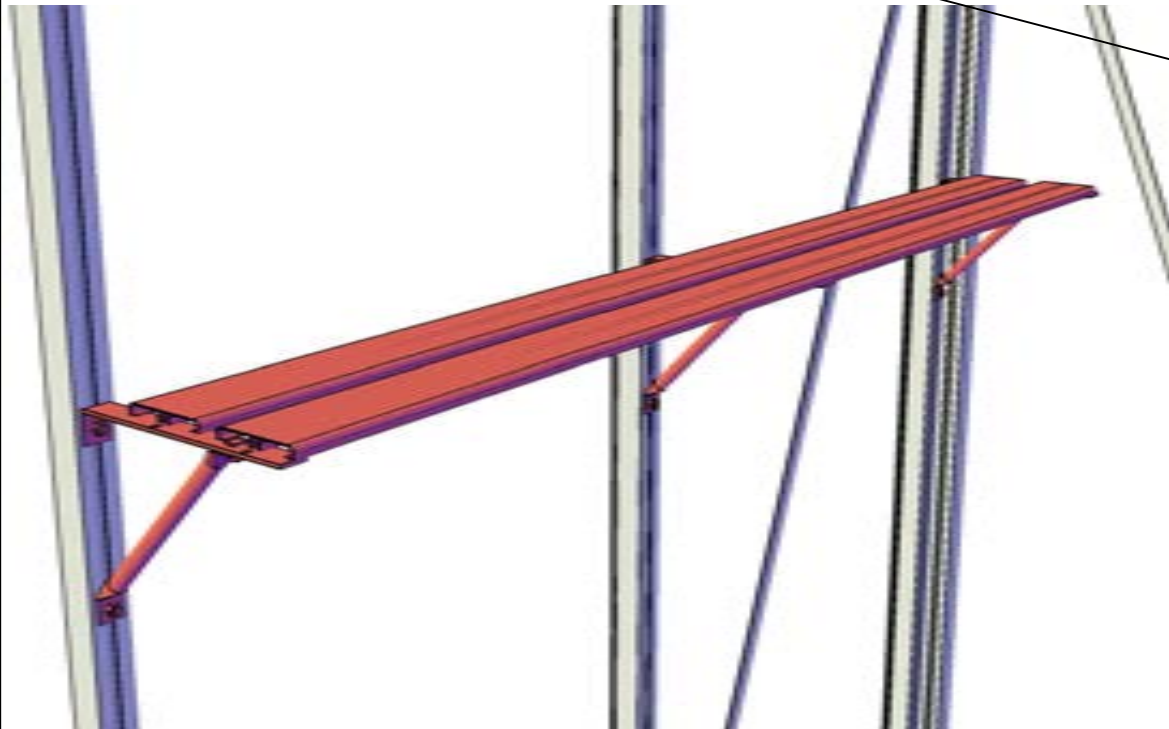
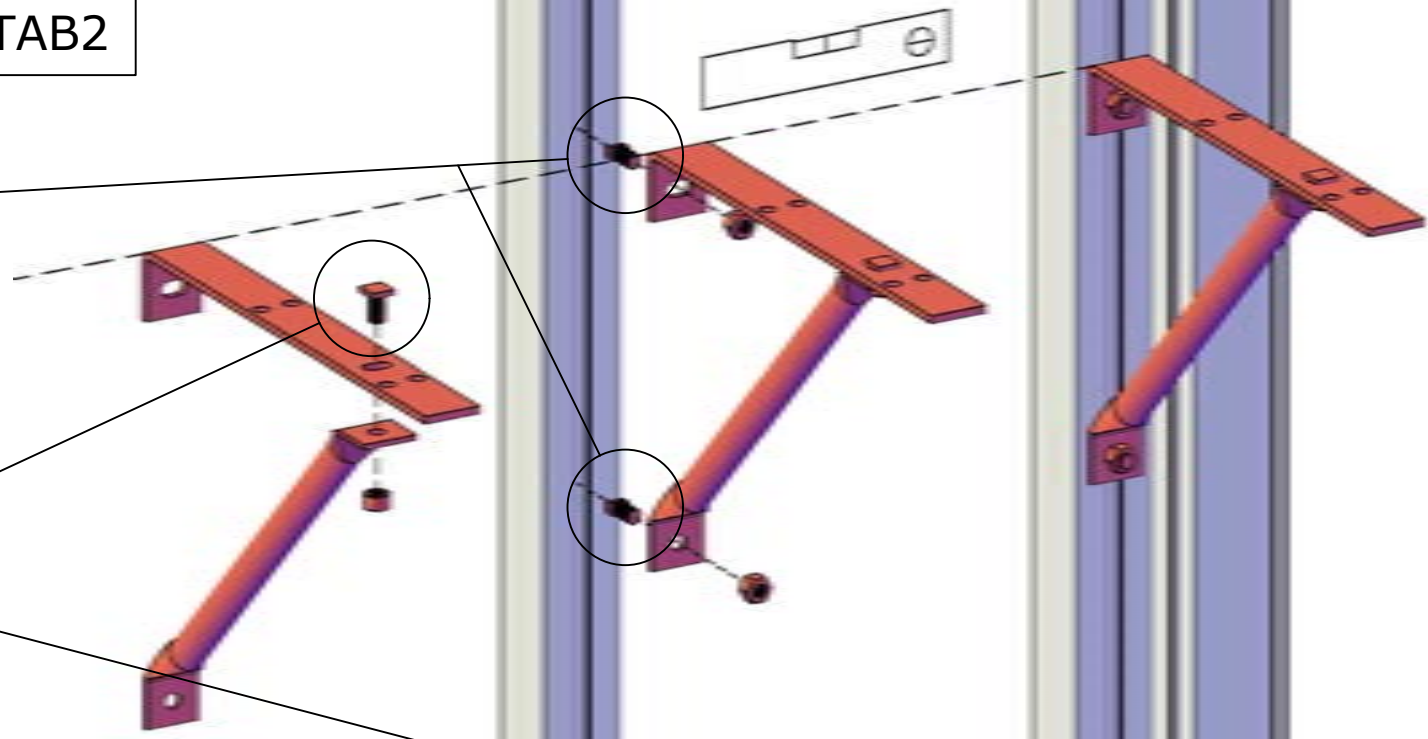
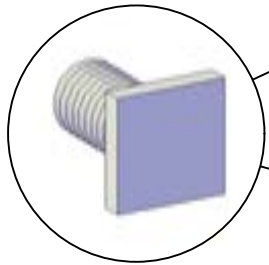
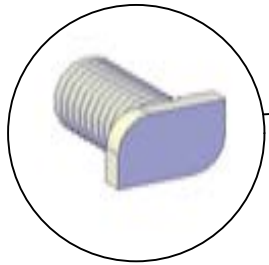






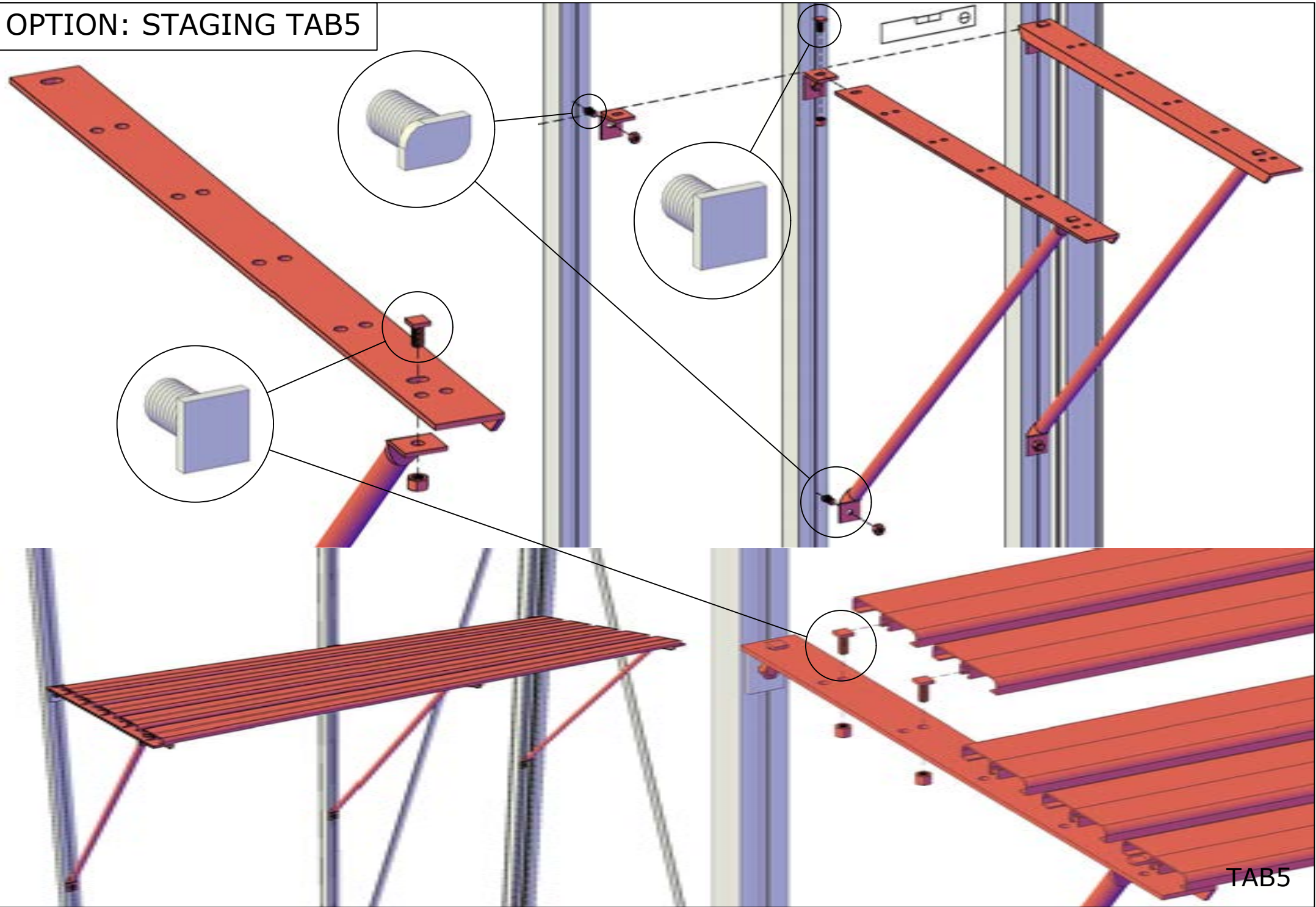


OPTION: STAGING TAB2



TAB2

OPTION: STAGING TAB5



TAB5

**Janssens NV** Mechelsesteenweg 388, B-2500 Lier Belgium  
(T) +32 15 30 67 80 (W) [www.janssens-alusystems.be](http://www.janssens-alusystems.be) (E) [info@janssens-alusystems.be](mailto:info@janssens-alusystems.be)